

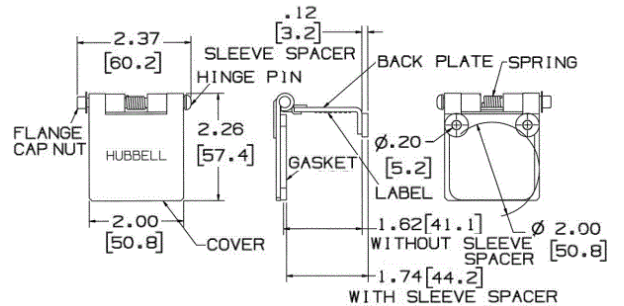
Ordering Information

Description	Device Color	UPC	Catalog Number
Snap Back Cover, For Through Mounting Holes	Black	783585002293	HBLSCBK



Standards

UL and cUL Listed
 UL Enclosure Types 3R, 4X, 12
 National Electric Code (NEC), ANSI/NFPA 70



Online Resources

Customer Use Drawing
 eCatalog
 Installation Instructions

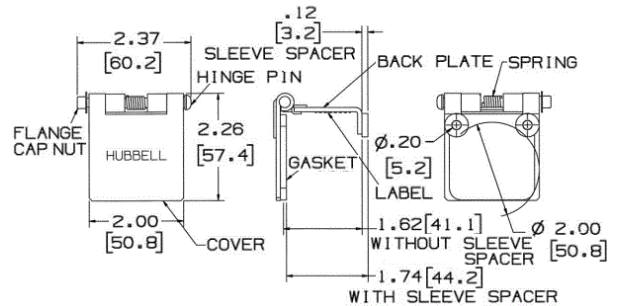
Ordering Information

Description	Device Color	UPC	Catalog Number
Snap Back Cover, For Through Mounting Holes	Blue	783585002644	HBLSCBL



Standards

UL and cUL Listed
 UL Enclosure Types 3R, 4X, 12
 National Electric Code (NEC), ANSI/NFPA 70



Online Resources

Customer Use Drawing
 eCatalog
 Installation Instructions

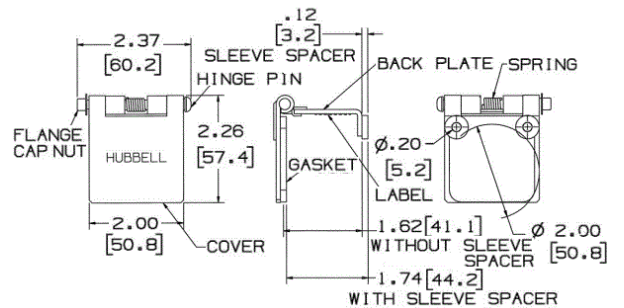
Ordering Information

Description	Device Color	UPC	Catalog Number
Snap Back Cover, For Through Mounting Holes	Brown	783585002699	HBLSCBN



Standards

UL and cUL Listed
 UL Enclosure Types 3R, 4X, 12
 National Electric Code (NEC), ANSI/NFPA 70



Online Resources

Customer Use Drawing
 eCatalog
 Installation Instructions

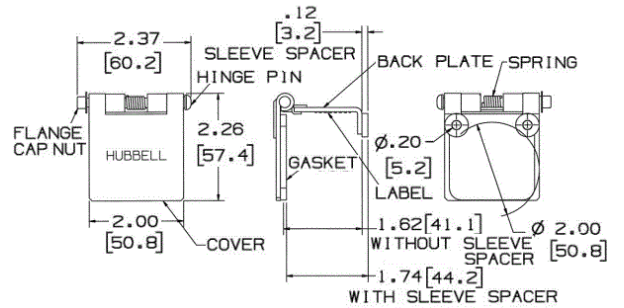
Ordering Information

Description	Device Color	UPC	Catalog Number
Snap Back Cover, For Threaded Mounting Holes	Black	783585093666	HBLSCCBK



Standards

UL and cUL Listed
 UL Enclosure Types 3R, 4X, 12
 National Electric Code (NEC), ANSI/NFPA 70



Online Resources

Customer Use Drawing
 eCatalog
 Installation Instructions

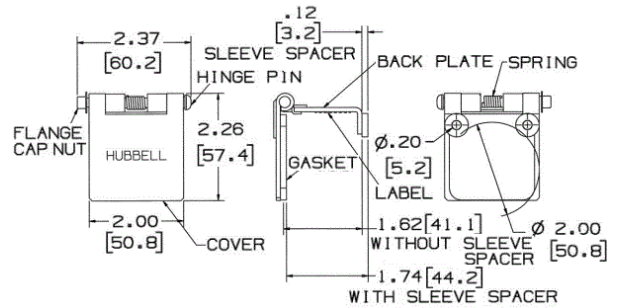
Ordering Information

Description	Device Color	UPC	Catalog Number
Snap Back Cover, For Threaded Mounting Holes	Blue	783585093697	HBLSCCBL



Standards

UL and cUL Listed
 UL Enclosure Types 3R, 4X, 12
 National Electric Code (NEC), ANSI/NFPA 70



Online Resources

Customer Use Drawing
 eCatalog
 Installation Instructions

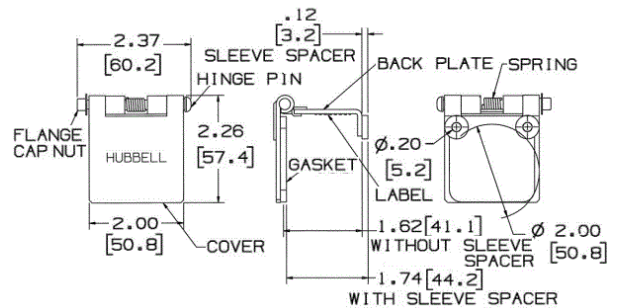
Ordering Information

Description	Device Color	UPC	Catalog Number
Snap Back Cover, For Threaded Mounting Holes	Brown	783585093734	HBLSCCBN



Standards

UL and cUL Listed
 UL Enclosure Types 3R, 4X, 12
 National Electric Code (NEC), ANSI/NFPA 70



Online Resources

Customer Use Drawing
 eCatalog
 Installation Instructions

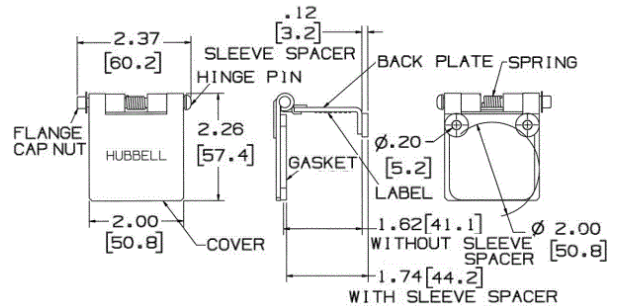
Ordering Information

Description	Device Color	UPC	Catalog Number
Snap Back Cover, For Threaded Mounting Holes	Green	783585093703	HBLSCCGN



Standards

UL and cUL Listed
 UL Enclosure Types 3R, 4X, 12
 National Electric Code (NEC), ANSI/NFPA 70



Online Resources

Customer Use Drawing
 eCatalog
 Installation Instructions

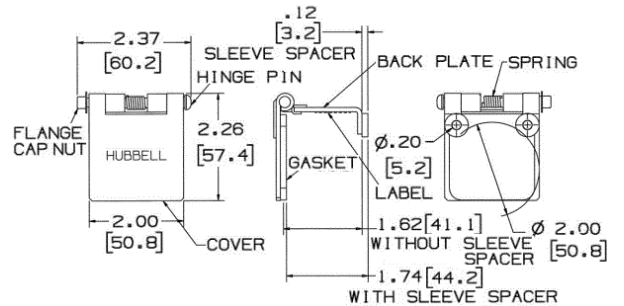
Ordering Information

Description	Device Color	UPC	Catalog Number
Snap Back Cover, For Threaded Mounting Holes	Orange	783585093727	HBLSCCO



Standards

UL and cUL Listed
 UL Enclosure Types 3R, 4X, 12
 National Electric Code (NEC), ANSI/NFPA 70



Online Resources

Customer Use Drawing
 eCatalog
 Installation Instructions

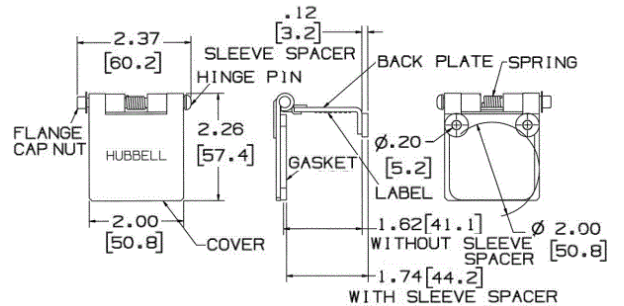
Ordering Information

Description	Device Color	UPC	Catalog Number
Snap Back Cover, For Threaded Mounting Holes	Red	783585093680	HBLSCCR



Standards

UL and cUL Listed
 UL Enclosure Types 3R, 4X, 12
 National Electric Code (NEC), ANSI/NFPA 70



Online Resources

Customer Use Drawing
 eCatalog
 Installation Instructions

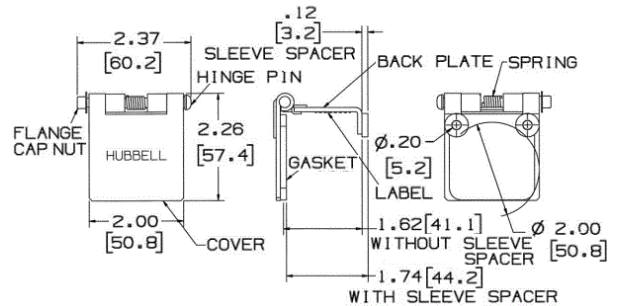
Ordering Information

Description	Device Color	UPC	Catalog Number
Snap Back Cover, For Threaded Mounting Holes	White	783585093673	HBLSCCW



Standards

UL and cUL Listed
 UL Enclosure Types 3R, 4X, 12
 National Electric Code (NEC), ANSI/NFPA 70



Online Resources

Customer Use Drawing
 eCatalog
 Installation Instructions

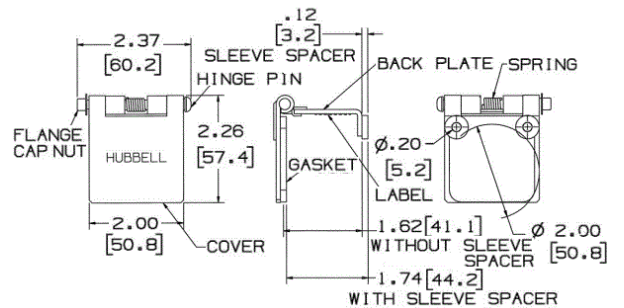
Ordering Information

Description	Device Color	UPC	Catalog Number
Snap Back Cover, For Threaded Mounting Holes	Yellow	783585093710	HBLSCCY



Standards

UL and cUL Listed
 UL Enclosure Types 3R, 4X, 12
 National Electric Code (NEC), ANSI/NFPA 70



Online Resources

- Customer Use Drawing
- eCatalog
- Installation Instructions

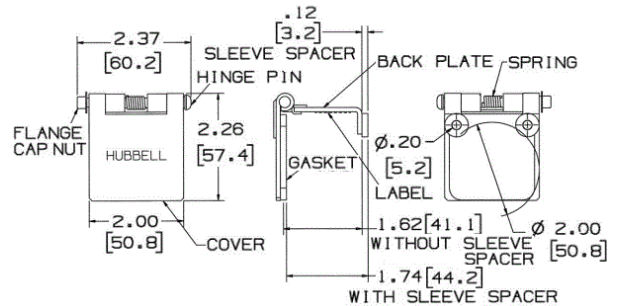
Ordering Information

Description	Device Color	UPC	Catalog Number
Snap Back Cover, For Through Mounting Holes	Green	783585002651	HBLSCGN



Standards

UL and cUL Listed
 UL Enclosure Types 3R, 4X, 12
 National Electric Code (NEC), ANSI/NFPA 70



Online Resources

Customer Use Drawing
 eCatalog
 Installation Instructions

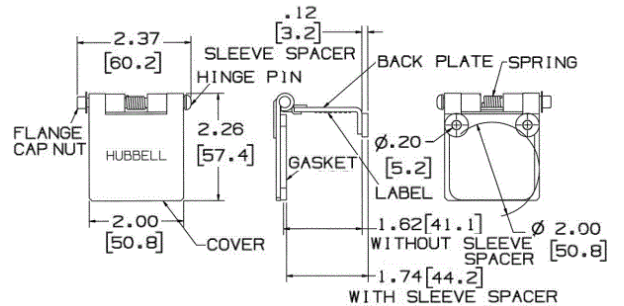
Ordering Information

Description	Device Color	UPC	Catalog Number
Snap Back Cover, For Through Mounting Holes	Orange	783585002682	HBLSCO



Standards

UL and cUL Listed
 UL Enclosure Types 3R, 4X, 12
 National Electric Code (NEC), ANSI/NFPA 70



Online Resources

Customer Use Drawing
 eCatalog
 Installation Instructions

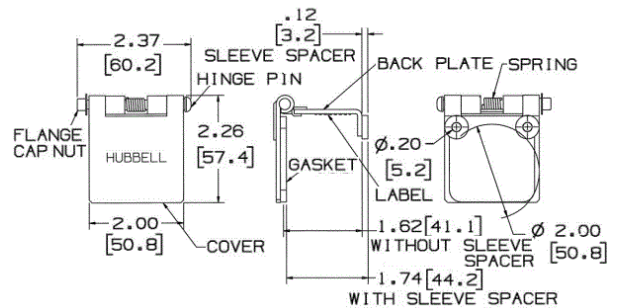
Ordering Information

Description	Device Color	UPC	Catalog Number
Snap Back Cover, For Through Mounting Holes	Red	783585002668	HBLSCR



Standards

UL and cUL Listed
 UL Enclosure Types 3R, 4X, 12
 National Electric Code (NEC), ANSI/NFPA 70



Online Resources

Customer Use Drawing
 eCatalog
 Installation Instructions

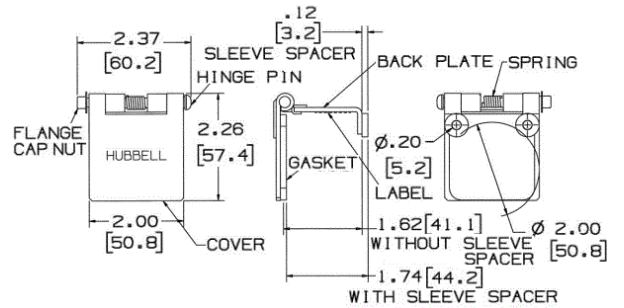
Ordering Information

Description	Device Color	UPC	Catalog Number
Snap Back Cover, For Through Mounting Holes	White	783585002637	HBLSCW



Standards

UL and cUL Listed
 UL Enclosure Types 3R, 4X, 12
 National Electric Code (NEC), ANSI/NFPA 70



Online Resources

Customer Use Drawing
 eCatalog
 Installation Instructions

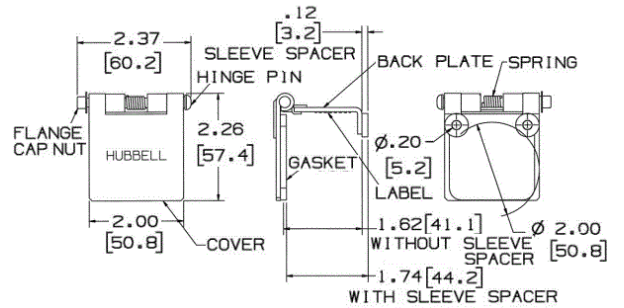
Ordering Information

Description	Device Color	UPC	Catalog Number
Snap Back Cover, For Through Mounting Holes	Yellow	783585002675	HBLSCY



Standards

UL and cUL Listed
 UL Enclosure Types 3R, 4X, 12
 National Electric Code (NEC), ANSI/NFPA 70



Online Resources

Customer Use Drawing
 eCatalog
 Installation Instructions