



Your Enclosure Source®



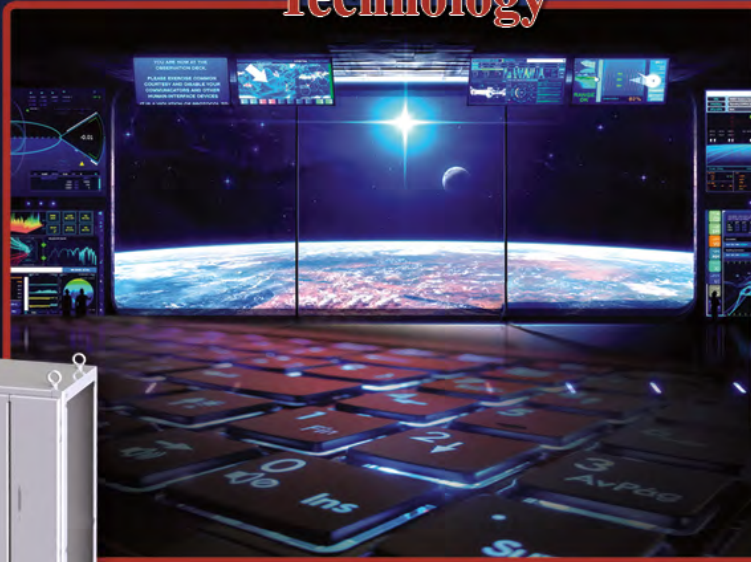
Your Enclosure Source®

14TH
EDITION



By an American Owned Company

Technology



Automation



Packaging



Table of Contents

1. Operator System Enclosures		6 - 41	1
2. Wall-Mount Enclosures		44 - 113	2
3. Free-Standing & Floor-Mounted Enclosures		116 - 164	3
4. Modular Enclosures		166 - 192	4
5. Operator System Enclosures (Stainless Steel)		196 - 223	5
6. Wall-Mount Enclosures (Stainless Steel)		226 - 267	6
7. Free-Standing & Floor-Mounted Enclosures (Stainless Steel)		270 - 297	7
8. Non-Metallic Enclosures		300 - 315	8
9. Accessories		318 - 406	9
10. Technical Information		409 - 419	10
11. Index		422 - 454	11



Your Enclosure Source®

Stainless Steel Enclosures

Stock Enclosures

ENVIRONMENTAL ENCLOSURES

Saginaw Control & Engineering, has been serving the electrical industry since 1963. We specialize in manufacturing both standard stock and custom designed enclosures as well as precision sheet metal fabrications. Our 310,000 square foot manufacturing facility, located in Saginaw, Michigan, uses state of the art fabricating equipment including the newest laser technology. All products are protected with the highest quality powder finishes available in today's market.

In addition to our manufacturing facility and warehouse, SCE has distribution centers in Aurora, Ohio; Kenosha, Wisconsin; Lenoir City, Tennessee; and McCarran, Nevada. All locations are 30,000+ square feet and are conveniently located to serve enclosure customers throughout the U.S.

To obtain more information about SCE and our products, please visit our website at <http://www.saginawcontrol.com>. This site includes new product information, a complete list of stock part numbers, drawings of stock parts for you to download, list prices, Installation Manual and other SCE news.

SCE supplies top quality products built to accurate dimensions. From concept to completion, the SCE staff will work with you to satisfy your enclosure requirements.

Whether you require a standard stock enclosure or a custom built enclosure, SCE can be *Your Enclosure Source*®.

Work Stations

Quality Policy Statement

Saginaw Control & Engineering is committed to understanding and meeting or exceeding the quality needs and expectations of all of our customers, while striving for continual improvement at all times.

Our goal is to be the leading manufacturer of standard stock and custom designed enclosures, to provide real opportunities and solutions to each of our customers, to grow our company stronger, to deliver unparalleled quality, value, and customer service, to verify, monitor and benchmark our products and services to meet agreed requirements and continuously improve our business, products and services.

We, at Saginaw Control and Engineering, affirm this commitment, and have established a comprehensive quality assurance system, which will allow our company to meet all of the requirements of the ISO 9001:2015 quality management system standard.



Your Enclosure Source®

(989) 799-6871

Fax (989) 799-4524

TERMS AND CONDITIONS OF SALE

The Terms and Conditions stated below shall supersede any which may appear on the purchase order which are not specifically agreed to in writing by an officer of this corporation. Refer to www.saginawcontrol.com for most up-to-date Terms and Conditions.

Payment Terms

Customers with satisfactory credit may purchase product on open account. We also accept American Express, Master Card, and Visa. Payment Net 30 from date of invoice. Payment accepted in US dollars only. Any account balance not paid within 30 days of the invoice date would be considered in default. In the event of default, applicant agrees to pay a 0.75% per month service charge along with all costs of collection, including reasonable attorney's fees.

Published Price Lists

SCE reserves the right to cancel or adjust prices at any time. For current pricing please contact your local distribution center for a quote.

Delivery

Shipping dates are based on our best estimate of the factory conditions at the time the order is accepted.

Cancellation

Orders of standard catalog items that are cancelled by written notice and confirmed before the product ships, will be charged with a 10% cancellation charge (with the minimum cancellation charge of \$30.00). If the order has been shipped and is refused by the customer, there will be a 20% restocking charge (with the minimum cancellation charge of \$30.00) plus freight charges. Orders of large quantities of standard product and custom orders will be charged the cost incurred up to the point of cancellation.

Warranty / Limits of Liability

All goods manufactured by SCE shall be warranted to be free of defects in material or workmanship for a period of two years from the date of shipment. Should the product be proven to SCE to be defective, we shall option to repair or replace the product. At no time will SCE reimburse purchaser for unauthorized rework on any product.

Air Conditioners & Heat Exchangers are warranted on parts and service for a period of two years from the date of shipment by Saginaw Control and subject to the following conditions and exclusions:

All Goods must be installed and operated according to the following specifications: Maximum voltage variation no greater than plus or minus 10% of nominal rating; Maximum frequency variation no greater than plus or minus 3 Hz. from nominal rating; Must not exceed minimum and maximum rated temperatures; Must not exceed (BTU/Hr) rating; Filters must be cleaned regularly; Must be installed and grounded in accordance with all relevant electrical and safety codes, as well as the National Electric Code and OSHA rules and regulations; Must be installed in a stationery application, free of vibration.

Our warranty does not cover product that has been modified, subjected to abuse, negligence in operation or maintenance, or if product is used in a manner that exceeds its designed capabilities and rating.

Warranty related claims will be returned to the factory for evaluation and final disposition of the claim, any replacement parts will be invoiced at standard pricing and credit issued for the returned product. If the product has been found to be modified, subjected to abuse, negligence in operation or maintenance, or if product is used in a manner that exceeds its designed capabilities and rating, credit may be reduced, denied or additional cost may be assessed and passed on to the purchaser, such as return freight.

Returned Goods

SCE must receive written request for any product to be returned. Standard product in resalable condition will be assessed a 20% restocking charge. Return freight to be paid by purchaser. Upon receipt of product, SCE will inspect and determine salability. Any cost above the restocking charge required to make product salable shall be deducted from the credit.

*No returns will be accepted of product that is requested to be returned after 6 months of its initial ship date.

Freight Terms

All Freight and payment terms are indicated on all quotes –

Freight Prepaid and Add (Saginaw Control will initially pay the freight charges and add to the invoice).

Freight Collect (Freight carrier will invoice directly to the consignee).

Third Party (Freight carrier will invoice directly to a third party address or account number).

*By specific agreement, certain shipments may be Freight Allowed (Saginaw Control will pay the freight charges).

All Freight will be shipped on carriers chosen and approved by SCE to transport the shipment, no outside carriers will be allowed.

Freight will be FOB Destination – Saginaw Control owns the goods while they are in transit. Signature on the Delivery Receipt takes over all further responsibility and ownership of the product.

Accessorial Charges, such as lift gate, residential delivery, limited access delivery, A.M. delivery, and inside delivery (Charges may be billed directly to customer by carrier or Saginaw Control will initially pay the charges and add to the invoice).

Damaged Material

All products are inspected before shipping, ensuring the quality and adequacy of the packaging prior to being loaded. The consignee will be responsible for the freight en route and file any claims if necessary.

* Saginaw Control will not be responsible for any physical damage to the shipment if it is not inspected at the time of delivery and damages or suspected damages are not clearly noted on the freight carrier's paperwork at the time of delivery, and reported immediately to Saginaw Control & Engineering.

* These instructions are clearly marked on every package sent.

Changes and Revisions

The right is reserved to make changes in dimensions, material and specifications without notice. We recommend that you consult Saginaw Control & Engineering for current technical data or for any questions. Catalog dimensions are close estimates. However, manufacturing processes may necessitate slight deviations.

Penalty Clause

No penalty clause shall be in effect unless written approval is obtained from an officer of Saginaw Control and Engineering.

Custom Orders

Please contact an inside sales agent or call your local sales representative for terms governing custom orders.

Government Regulations and Taxes

Any regulation, restriction or tax imposed on goods furnished by SCE are the responsibility of the purchaser. Any testing or disposal of material shall be your responsibility.

CSE Program

(Customized Standard Enclosures)

Saginaw Control & Engineering can customize any standard enclosure selected from our catalog, reducing the turnaround time from design to delivery.

Select an enclosure from our catalog and download the drawing using the Product Lines section of our website (<http://www.saginawcontrol.com>).

Add the holes and cutouts necessary for your application and submit the drawing electronically as a DWG, DXF or 3D CAD file to SCE, CSE@saginawcontrol.com, to do the work for you, which saves you time and money.

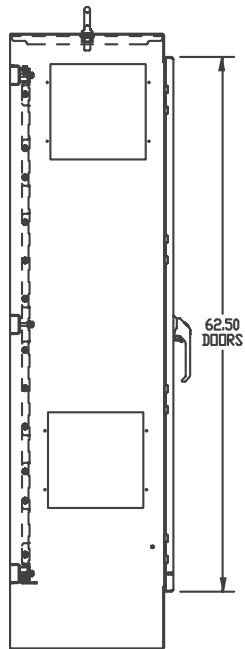
Unlike traditional methods of manually cutting or machining holes into a completed and finished product, Saginaw Control will build your enclosure with the holes and cutouts cut while the enclosure is still in a flat sheet, providing the most precise cutting of holes and cutouts.

Finish is applied only after all of the fabrication and welding is complete. Therefore, there is no concern with damage to the enclosure's finish, and all the cut edges are coated when the final finish is applied, thus enhancing the long term quality and performance of the finish.

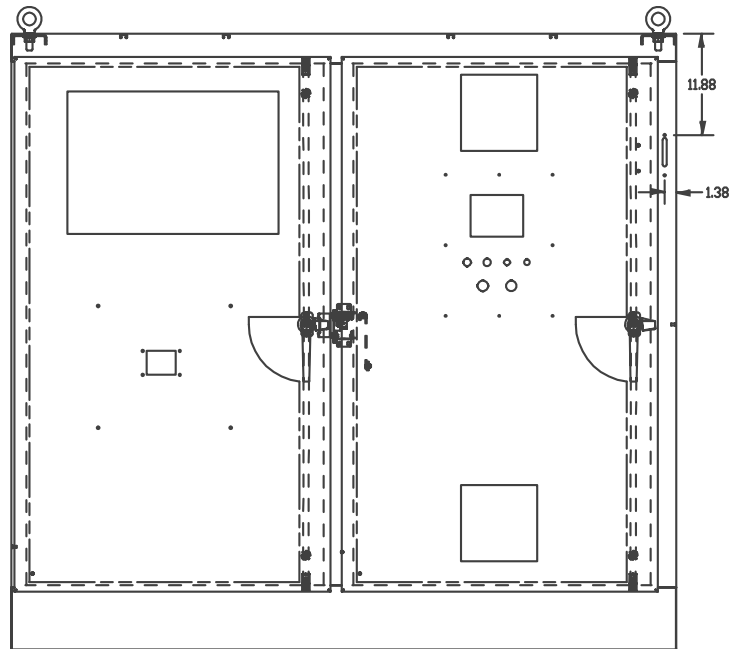
Select the correct materials required for the environment or specification: carbon steel, 304 or 316 stainless steel, or carbon steel with special color powder coat finish.



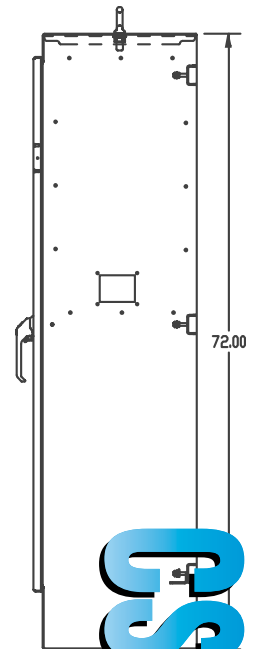
CSE Program



LEFT SIDE VIEW



FRONT VIEW



RIGHT SIDE VIEW

USE Program



Phone (989) 799-6871
Fax (989) 799-4524



Operator System Enclosures

Pedestal Mount / Desktop Work Station 22 – 23

Slope Top Work Station 24 – 25

Work Station Accessories 26 – 32

HMI Enclosures & Accessories 34 – 37

Suspension System 38 – 39



Phone (989) 799-6871
Fax (989) 799-4524



- 1 Operator System Enclosures
- 2 Wall-Mount Enclosures
- 3 Free-Standing & Floor-Mounted Enclosures
- 4 Modular Enclosures
- 5 Operator System Enclosures (Stainless Steel)
- 6 Wall-Mount Enclosures (Stainless Steel)
- 7 Free-Standing & Floor-Mounted Enclosures (Stainless Steel)
- 8 Non-Metallic Enclosures
- 9 Accessories
- 10 Technical Information
- 11 Index

ELJ Consolets & Accessories

Application -

Designed to house electrical and electronic controls, instruments, and components. Provides protection from dust, dirt, oil and water. Consolets can be mounted on either of two sides to give a control surface inclined 30° or 60°. Can be mounted on desks, machines, or pedestals.

Construction -

- 0.063" carbon steel.
- Seams continuously welded and ground smooth.
- Flange trough collar around all sides of door opening.
- Removable hinges.
- Oil-resistant gasket.
- Standoffs provided for mounting optional sub-panels.
- Cable door stops included on SCE-12C**, SCE-16C** & SCE-20C**
- Black mini quarter turn latches as required.
- Latches are opened or closed with a screwdriver.
- Ground studs on door and body.
- Mounting holes in back.

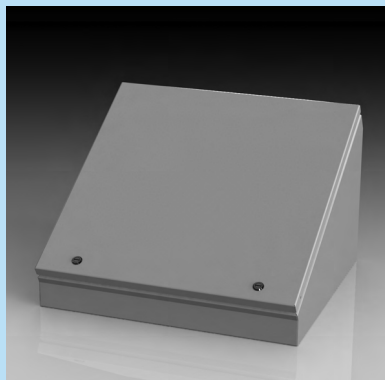
Finish -

ANSI-61 gray powder coated inside and out. Optional sub-panels powder coated white.

IS4 - Industry Standards -

NEMA Type 3R, 4, 12 & Type 13
UL Listed Type 3R, 4 & 12
CSA Type 3R, 4 & 12
IEC 60529 IP66

***Special Instructions apply for IS3, IS4 and IS6 to maintain the environmental rating of Type 3R for these parts. See the Special Instructions on the Industry Standards page in the Technical Information Section.



ELJ CONSOLETS

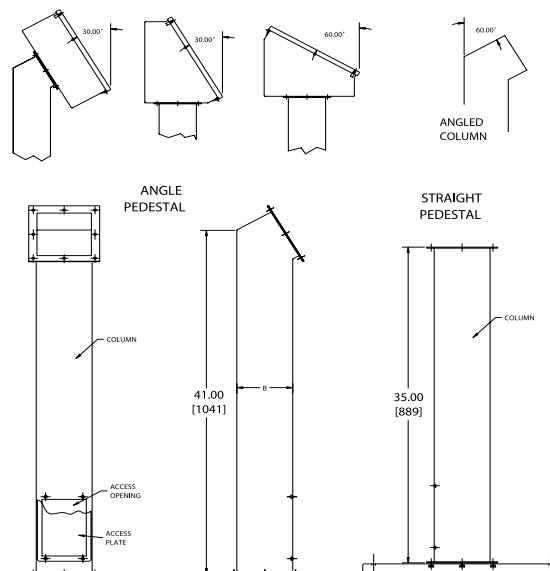
ENCLOSURE PRODUCT CODE A1						SUB-PANEL (P3)			
Catalog No.	Height (A)	Width (B)	Depth (C)	Depth (D)	List Price	Catalog No.	Panel Height (E)	Panel Width (F)	List Price
SCE-8C8ELJ	8.00	8.00	7.09	7.44	102.84	SCE-8P8C	6.00	6.75	5.27
SCE-8C12ELJ	8.00	12.00	7.09	7.44	112.87	SCE-8P12C	6.00	10.75	8.39
SCE-8C16ELJ	8.00	16.00	7.09	7.44	125.41	SCE-8P16C	6.00	14.75	11.50
SCE-8C20ELJ	8.00	20.00	7.09	7.44	135.44	SCE-8P20C	6.00	18.75	14.63
SCE-12C12ELJ	12.00	12.00	9.09	10.91	132.93	SCE-12P12C	9.50	10.75	13.28
SCE-12C16ELJ	12.00	16.00	9.09	10.91	147.97	SCE-12P16C	9.50	14.75	18.22
SCE-12C20ELJ	12.00	20.00	9.09	10.91	163.03	SCE-12P20C	9.50	18.75	23.16
SCE-12C24ELJ	12.00	24.00	9.09	10.91	175.57	SCE-12P24C	9.50	22.75	28.09
SCE-16C16ELJ	16.00	16.00	11.09	14.38	173.05	SCE-16P14	15.00	13.00	19.95
SCE-16C20ELJ	16.00	20.00	11.09	14.38	190.63	SCE-16P20C	12.88	18.75	31.40
SCE-16C24ELJ	16.00	24.00	11.09	14.38	208.17	SCE-16P24C	12.88	22.75	38.10
SCE-16C30ELJ	16.00	30.00	11.09	14.38	238.27	SCE-16P30C	12.88	28.75	44.80
SCE-20C20ELJ	20.00	20.00	13.09	17.84	218.21	SCE-20P20C	16.38	18.75	39.00
SCE-20C24ELJ	20.00	24.00	13.09	17.84	243.28	SCE-20P24C	16.38	22.75	42.30
SCE-20C30ELJ	20.00	30.00	13.09	17.84	278.41	SCE-20P30C	16.38	28.75	47.32

CABLE DOOR STOP

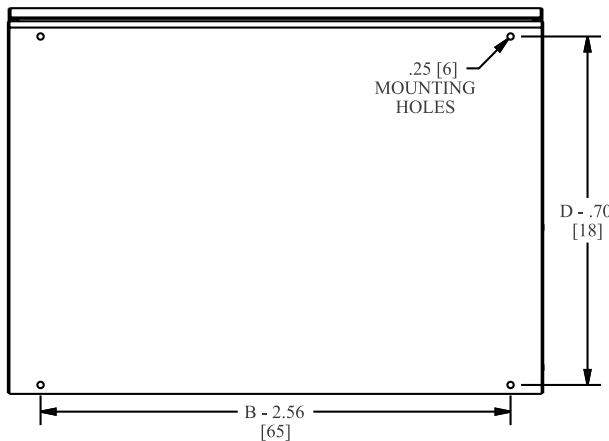
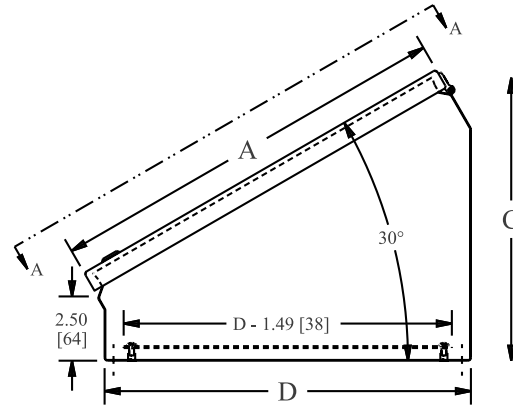
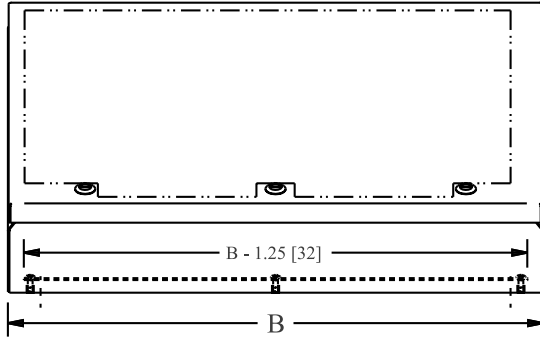
Catalog No.	Description	For use on	Product Code	List Price
SCE-CBL15	15 Inch 135° Door Stop	SCE-12C** & SCE-16C**	P2	13.75
SCE-CBL20	20 Inch 135° Door Stop	SCE-20C**	P2	14.25

ACCESSORY COLUMNS AND BASES

Catalog No.	Description	Size	Product Code	List Price
SCE-18SBASE	Pedestal Base	18.00 x 18.00 x 1.00	P2	111.76
SCE-24SBASE	Pedestal Base	24.00 x 24.00 x 1.00	P2	253.32
SCE-44CCOL	Straight Column	4.00 x 4.00	P2	183.79
SCE-44PBCOL	Angled Column	4.00 x 4.00	P2	218.56
SCE-66CCOL	Straight Column	6.00 x 6.00	P2	275.68
SCE-66PBCOL	Angled Column	6.00 x 6.00	P2	327.83



ELJ CONSOLETS TECHNICAL DATA



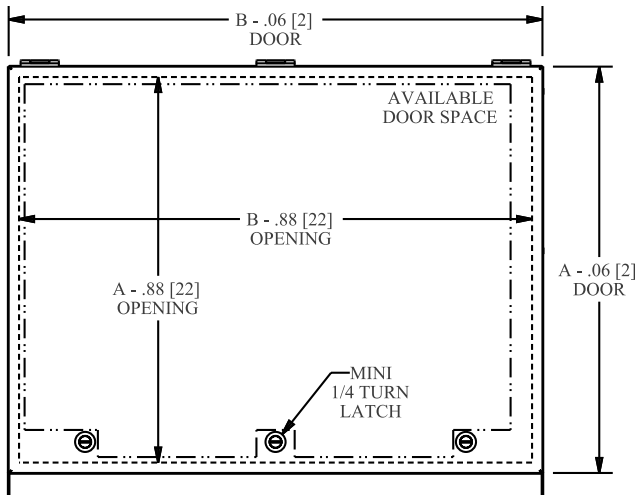
NOTES:
Provisions for cable stops on door and body when "A" >= 12.00 [305]

LATCH NOTES:
One latch centered on door horizontally if "B" <= 14.00 [356]

Two latches located 3.00 [76] from right & left side of door if "B" > 14.00 [356]

Omit center latch if "B" > 14.00 [356] and <= 20.00 [508]

SUB-PANEL NOTES:
Provisions only for sub-panel in bottom.



VIEW A-A



Phone (989) 799-6871
Fax (989) 799-4524

Series 9 Consoles

Application -

Designed for electronic controls and instruments. Equipment can be mounted on the sloping control panel door. Interior components mount to stationary panels. Provides protection from dirt, oil, dust and water. For installation information, consult our Installation Manual at www.saginawcontrol.com.

Construction -

- 0.075" carbon steel.
- Sloping control panel door attached with concealed hinge on bottom edge.
- Door opens to 90 degree.
- Black zinc die cast keylocking/padlocking handle.
- 3-point latching mechanism.
- Seams continuously welded and ground smooth.
- Oil-resistant gasket on door.
- Interior print pocket.
- Optional back and side panels are mounted on collar studs.
- Removable eyebolts.
- Ground stud on door and body.
- Hole plugs provided to seal holes in bottom of enclosure.

Finish -

ANSI-61 gray powder coated inside and out. Optional panels are powder coated white.

IS3 - Industry Standards -

NEMA Type 3R, 12 & Type 13
UL Listed Type 3R & 12
CSA Type 3R & 12
IEC 60529 IP55

***Special Instructions apply for IS3, IS4 and IS6 to maintain the environmental rating of Type 3R for these parts. See the Special Instructions on the Industry Standards page in the Technical Information Section.



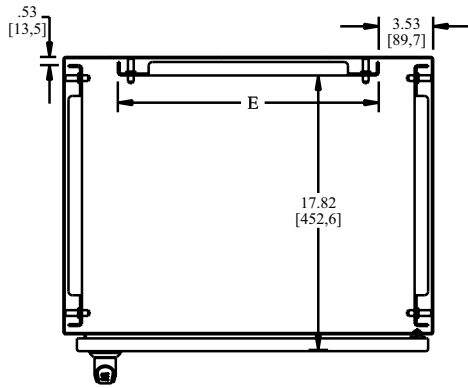
SERIES 9 CONSOLES

ENCLOSURE PRODUCT CODE C1						SUB-PANEL (P3)				
Catalog No.	Height (A)	Width (B)	Depth (C)	Industry Standard	List Price	Catalog Qty No.	Panel Height (D)	Panel Width (E)	List Price	
SCE-924B	48.00	24.00	18.00	IS3	1,210.24	3	SCE-30P20	27.00	17.00	55.70
SCE-936B	48.00	36.00	18.00	IS3	1,486.22	2	SCE-30P20	27.00	17.00	55.70
						1	SCE-30P30 &	27.00	27.00	83.55

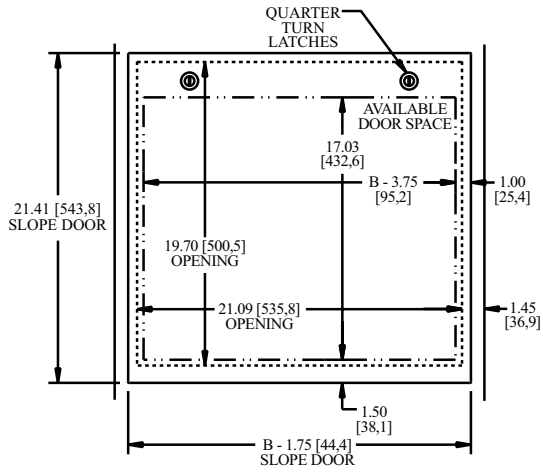
Phone (989) 799-6871
Fax (989) 799-4524



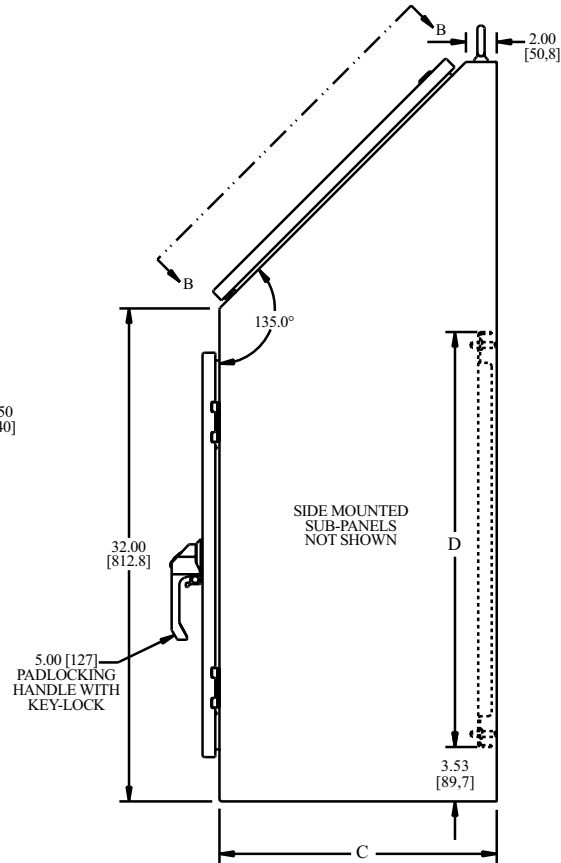
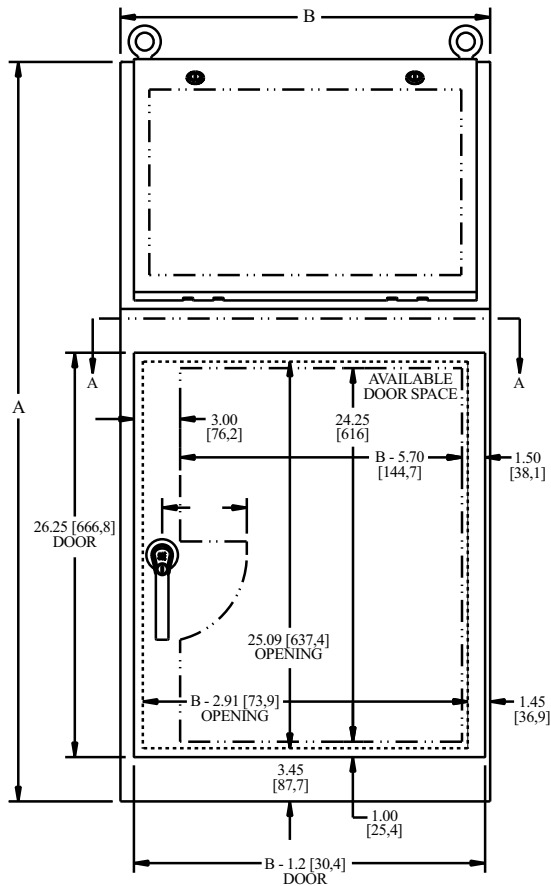
SERIES 9 CONSOLES TECHNICAL DATA



SECTION A-A



VIEW B-B



Phone (989) 799-6871
Fax (989) 799-4524

Series 14 Single-Door Consoles

Application -

Designed for electronic controls and instruments. Equipment can be mounted on the sloping control panel door. Interior components mount to stationary panels. Heavy duty construction provides protection from dirt, oil, dust, and water. For installation information, consult our Installation Manual at www.saginawcontrol.com.

Construction -

- 0.104" carbon steel.
- Sloping control panel door attached with concealed hinge on bottom edge. Door opens to 90 degree.
- Black zinc die cast keylocking/padlocking handles on front and rear doors.
- 3-point latching mechanism.
- Seams continuously welded and ground smooth.
- Oil-resistant gasket on door.
- Optional equipment mounts to horizontal channels welded to sides.
- Optional writing desk and top section available.
- Interior print pocket.
- Removable eyebolts in console body.
- Ground stud on door and body.
- Hole plugs provided to seal holes in bottom of enclosure.

Finish -

ANSI-61 gray powder coated inside and out. Optional panels are powder coated white.

IS3 - Industry Standards -

NEMA Type 3R, 12 & Type 13
UL Listed Type 3R & 12
CSA Type 3R & 12
IEC 60529 IP55

***Special Instructions apply for IS3, IS4 and IS6 to maintain the environmental rating of Type 3R for these parts. See the Special Instructions on the Industry Standards page in the Technical Information Section.

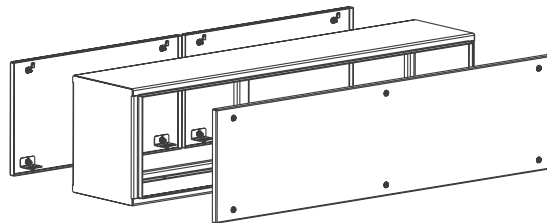


SERIES 14 SINGLE-DOOR CONSOLES - 24" WIDE

ENCLOSURES							
Catalog No.	Description	Height (A)	Width (B)	Depth (C)	Product Code	Industry Standard	List Price
SCE-14B	Console Body	50.00	24.00	23.00	C1	IS3	1,777.39
SCE-14T	Console Top	16.00	24.00	12.50	C1	IS1	453.21
SCE-14P1	Swing-Out Panel	22.00	18.12		P2	IS1	168.79
SCE-14P2	Half Panel	22.00	17.00		P3	IS1	144.32
SCE-14P3	Full Panel	42.25	17.00		P3	IS1	207.61
SCE-14R	Rack Angles	29.00 High (set of 2)			P2	IS1	149.50
SCE-14W	Writing Desk	24.00	10.00		P2	IS1	135.04

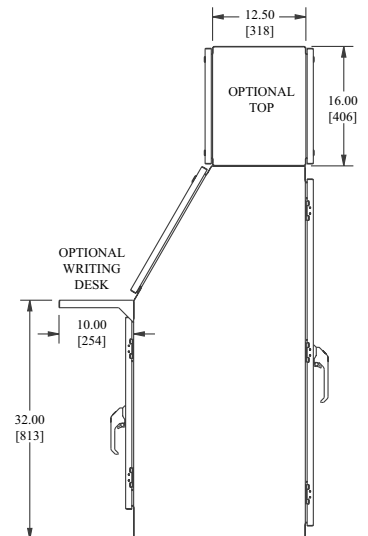
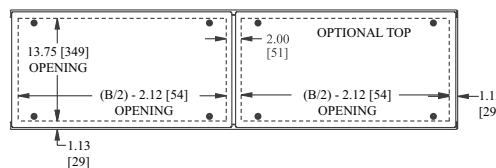
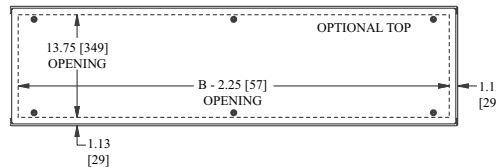
SERIES 14 SINGLE-DOOR CONSOLES - 36" WIDE

ENCLOSURES							
Catalog No.	Description	Height (A)	Width (B)	Depth (C)	Product Code	Industry Standard	List Price
SCE-1436B	Console Body	50.00	36.00	23.00	C1	IS3	2,078.69
SCE-1436T	Console Top	16.00	36.00	12.50	C1	IS1	562.08
SCE-1436P1	Swing-Out Panel	22.00	30.12		P2	IS1	209.78
SCE-1436P2	Half Panel	22.00	29.00		P3	IS1	177.24
SCE-1436P3	Full Panel	42.25	29.00		P3	IS1	273.44
SCE-1436W	Writing Desk	36.00	10.00		P2	IS1	173.62



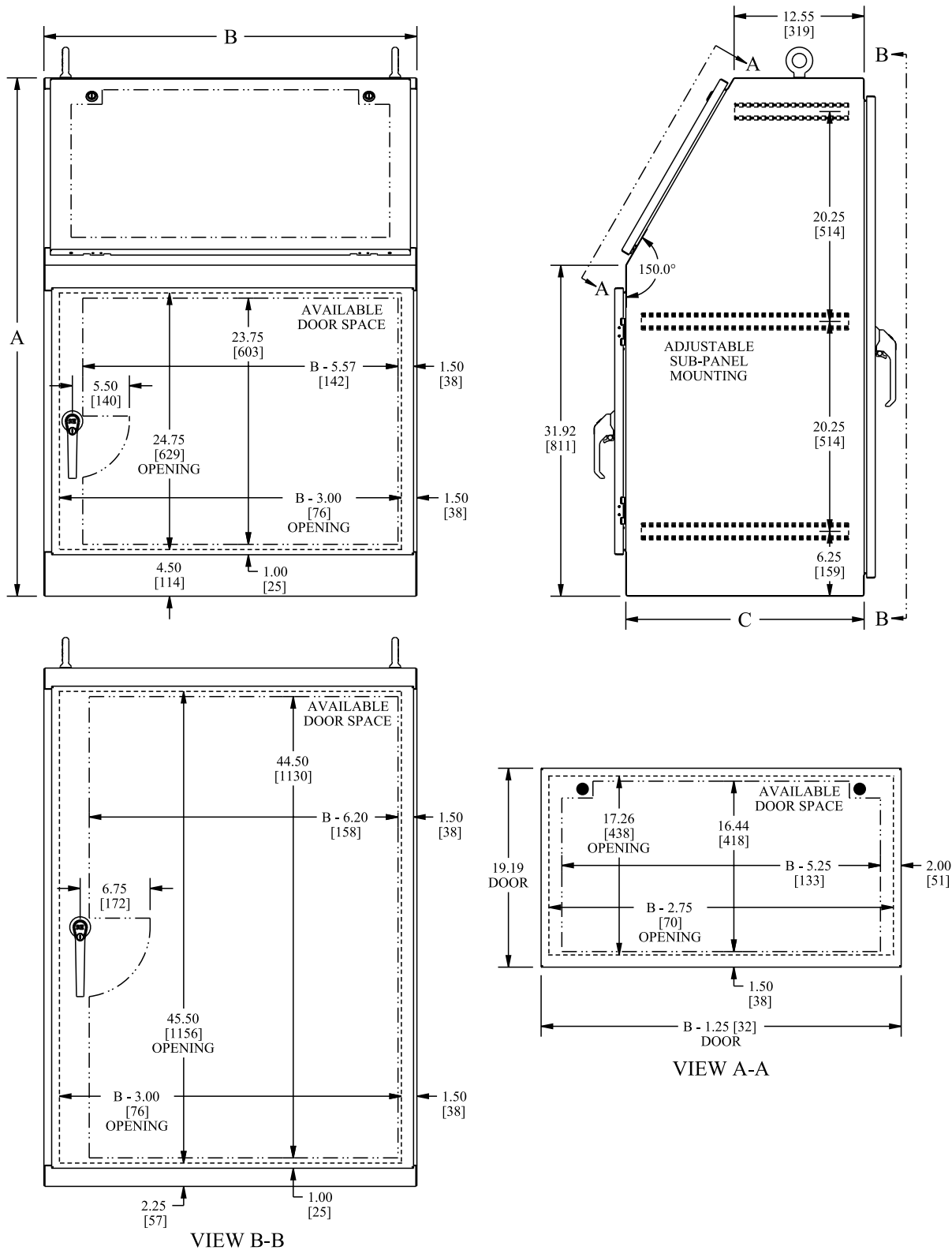
OPTIONAL TOP NOTES:

1. SINGLE FRONT & SINGLE REAR ACCESS PANEL ON ENCLOSURES < 48.00 [1219] WIDE.
2. SINGLE FRONT & TWO REAR ACCESS PANELS ON 48.00 [1219] & 60.00 [1524] WIDE
3. TWO FRONT & TWO REAR ACCESS PANELS ON 72.00 [1829] WIDE.



SERIES 14 SINGLE-DOOR CONSOLES

TECHNICAL DATA



- 1 Operator System Enclosures
- 2 Wall-Mount Enclosures
- 3 Free-Standing & Floor-Mount Enclosures
- 4 Modular Enclosures
- 5 Operator System Enclosures (Stainless Steel)
- 6 Wall-Mount Enclosures (Stainless Steel)
- 7 Free-Standing & Floor-Mount Enclosures (Stainless Steel)
- 8 Non-Metallic Enclosures
- 9 Accessories
- 10 Technical Information
- 11 Index



Phone (989) 799-6871
 Fax (989) 799-4524

Your Enclosure Source®

Series 14 Two-Door Consoles

Application -

Designed for electronic controls and instruments. Equipment can be mounted on the sloping control panel door. Interior components mount to stationary panels. Heavy duty construction provides protection from dirt, oil, dust, and water. For installation information, consult our Installation Manual at www.saginawcontrol.com.

Construction -

- 0.104" carbon steel.
- Sloping control panel door attached with concealed hinge on bottom edge. Door opens to 90 degree.
- Black zinc die cast keylocking/padlocking handles on front and rear doors.
- 3-point latching mechanism.
- Seams continuously welded and ground smooth.
- Oil-resistant gasket on door.
- Optional equipment mounts to horizontal channels welded to sides.
- Flush mounted doors.
- Optional writing desk and top section available.
- Interior print pocket.
- Removable eyebolts in console body.
- Ground stud on door and body.
- Hole plugs provided to seal holes in bottom of enclosure.

Finish -

ANSI-61 gray powder coated inside and out. Optional panels are powder coated white.

IS3 - Industry Standards -

NEMA Type 3R, 12 & Type 13
UL Listed Type 3R & 12
CSA Type 3R & 12
IEC 60529 IP55

***Special Instructions apply for IS3, IS4 and IS6 to maintain the environmental rating of Type 3R for these parts. See the Special Instructions on the Industry Standards page in the Technical Information Section.



SERIES 14 TWO-DOOR CONSOLES - 48" WIDE

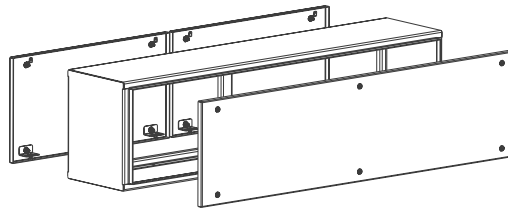
ENCLOSURES							
Catalog No.	Description	Height (A)	Width (B)	Depth (C)	Product Code	Industry Standard	List Price
SCE-1448BD	Console Body	50.00	48.00	23.00	C1	IS3	2,673.68
SCE-1448T	Console Top	16.00	48.00	12.50	C1	IS1	670.95
SCE-1448P2	Half Panel	22.00	41.00		P3	IS1	212.67
SCE-1448P3	Full Panel	42.25	41.00		P3	IS1	336.74
SCE-1448W	Writing Desk	48.00	10.00		P2	IS1	214.61

SERIES 14 TWO-DOOR CONSOLES - 60" WIDE

ENCLOSURES							
Catalog No.	Description	Height (A)	Width (B)	Depth (C)	Product Code	Industry Standard	List Price
SCE-1460BD	Console Body	50.00	60.00	23.00	C1	IS3	2,767.36
SCE-1460T	Console Top	16.00	60.00	12.50	C1	IS1	777.29
SCE-1460P2	Half Panel	22.00	53.00		P3	IS1	245.59
SCE-1460P3	Full Panel	42.25	53.00		P3	IS1	402.57
SCE-1460W	Writing Desk	60.00	10.00		C2	IS1	253.19

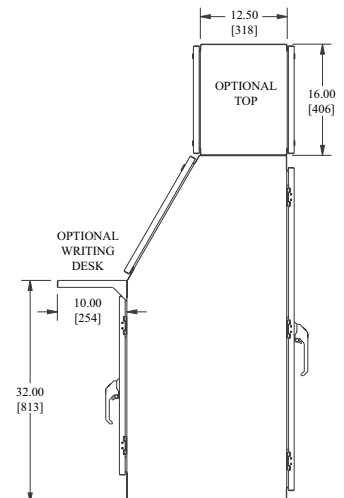
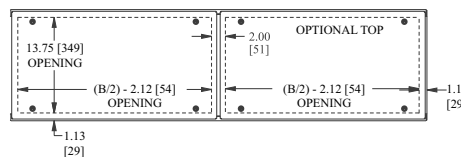
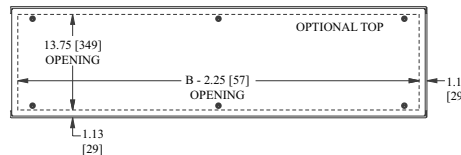
SERIES 14 TWO-DOOR CONSOLES - 72" WIDE

ENCLOSURES							
Catalog No.	Description	Height (A)	Width (B)	Depth (C)	Product Code	Industry Standard	List Price
SCE-1472BD	Console Body	50.00	72.00	23.00	C1	IS3	3,030.68
SCE-1472T	Console Top	16.00	72.00	12.50	C1	IS1	886.17
SCE-1472P3	Full Panel	42.25	65.00		P3	IS1	465.86
SCE-1472W	Writing Desk	72.00	10.00		P2	IS1	291.78



OPTIONAL TOP NOTES:

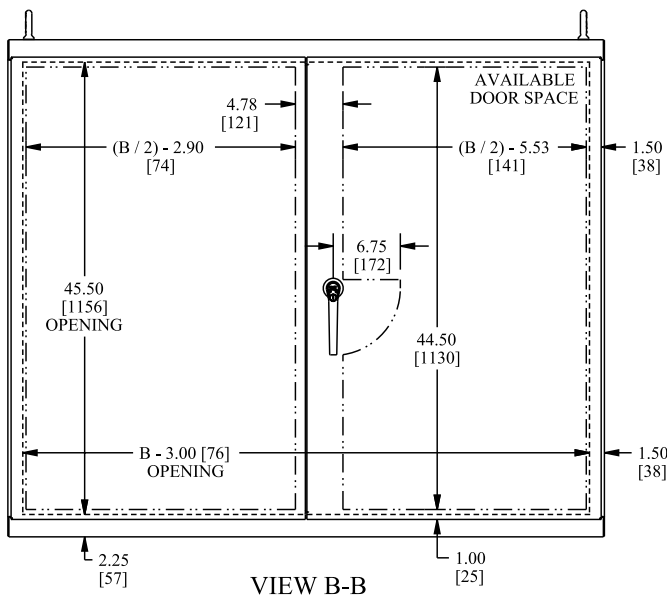
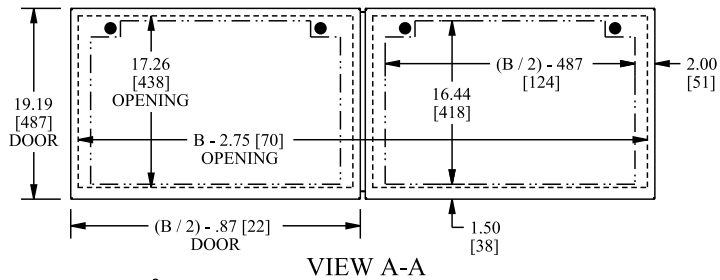
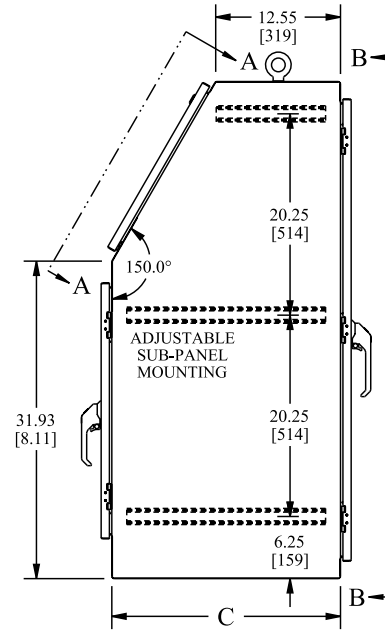
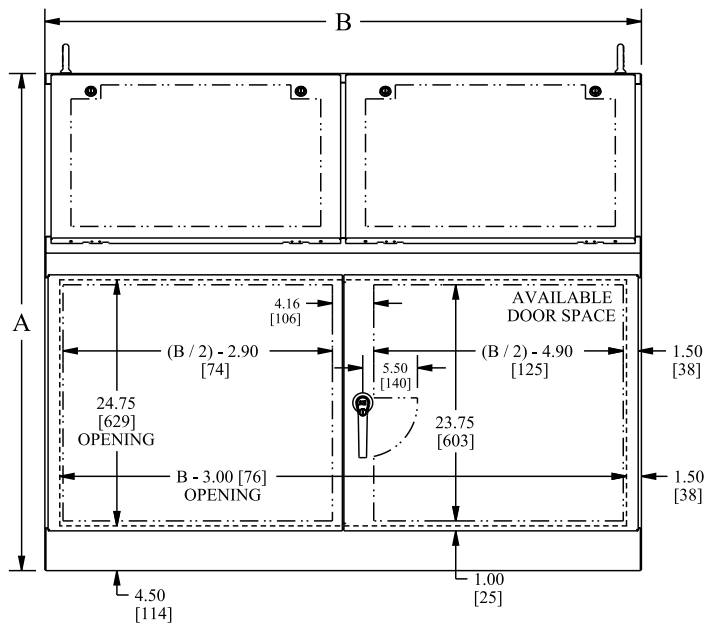
1. SINGLE FRONT & SINGLE REAR ACCESS PANEL ON ENCLOSURES < 48.00 [1219] WIDE.
2. SINGLE FRONT & TWO REAR ACCESS PANELS ON 48.00 [1219] & 60.00 [1524] WIDE
3. TWO FRONT & TWO REAR ACCESS PANELS ON 72.00 [1829] WIDE.



1 Operator System Enclosures
2 Wall-Mount Enclosures
3 Free-Standing & Floor-Mounted Enclosures
4 Modular Enclosures
5 Operator System Enclosures (Stainless Steel)
6 Wall-Mount Enclosures (Stainless Steel)
7 Free-Standing & Floor-Mounted Enclosures (Stainless Steel)
8 Non-Metallic Enclosures
9 Accessories
10 Technical Information
11 Index

SERIES 14 TWO-DOOR CONSOLES

TECHNICAL DATA



Desk Consoles

Application -

Intended for indoor use to provide a degree of protection to personnel against access to hazardous parts, also to provide a degree of protection for the equipment inside the enclosure against ingress of solid foreign objects and falling dirt, to provide a degree of protection with respect to harmful effects on the equipment due to the ingress of water, splashing water. Designed for use in a standing or sitting position with single and dual access and top that opens for easy accessibility. For installation information, consult our Installation Manual at www.saginawcontrol.com.

Construction -

- 0.075" carbon steel.
- Seams continuously welded and ground smooth.
- 25 degree Sloped top.
- Door props on sloped door to hold in the open position.
- Oil and water resistant gasket.
- Flange trough collar around all sides of door opening.
- Concealed hinges.
- Removable doors.
- Removable print pocket.
- Ground studs on door and body.
- Rubber pads with provision for leveling pads on bottom of enclosure.
- Black quarter turn latches on top door.
- Keylocking black 3-point flush swing handle in front door of single access, front and rear doors on dual access.
- Mounting studs welded on interior back for mounting optional sub-panels on single access console.
- Mounting channels welded on sides of interior body for mounting optional sub-panels on dual access console.
- Mounting hardware included for (1) optional sub-panel.

Finish -

ANSI-61 gray powder coated inside and out. Optional sub-panels powder coated white.

Options -

Optional tamper-resistant inserts or padlocking handles are available.

IS3 - Industry Standards -

NEMA Type 3R, 12 & Type 13
UL Listed Type 3R & 12
CSA Type 3R & 12
IEC 60529 IP55

IS4 - Industry Standards -

NEMA Type 3R, 4, 12 & Type 13
UL Listed Type 3R, 4 & 12
CSA Type 3R, 4 & 12
IEC 60529 IP66

***Special Instructions apply for IS3, IS4 and IS6 to maintain the environmental rating of Type 3R for these parts. See the Special Instructions on the Industry Standards page in the Technical Information Section.

DESK CONSOLES

ENCLOSURE PRODUCT CODE C1						SUB-PANEL (P3)			
Catalog No.	Height (A)	Width (B)	Depth (C)	Industry Standard	List Price	Catalog No.	Panel Height (D)	Panel Width (E)	List Price
Single Access Single-Door									
SCE-402516SDC	40.25	25.25	15.50	IS4	942.59	SCE-30P24	27.00	21.00	63.29
SCE-403716SDC	40.25	37.25	15.50	IS3	1,071.39	SCE-36P30	33.00	27.00	101.27
SCE-462519SDC	46.25	25.25	18.50	IS4	1,298.64	SCE-36P24	33.00	21.00	75.96
SCE-463719SDC	46.25	37.25	18.50	IS3	1,441.43	SCE-36P36	33.00	33.00	118.99
Dual Access Single-Door									
SCE-462519DC	46.25	25.25	18.50	IS4	1,383.50	SCE-36P24	33.00	21.00	75.96
SCE-463719DC	46.25	37.25	18.50	IS3	1,522.45	SCE-36P36	33.00	33.00	118.99
Single Access Overlapping Two-Door									
SCE-464919SDC	46.25	49.25	18.50	IS3	1,667.18	SCE-48P36	45.00	33.00	154.46
SCE-466019SDC	46.25	59.88	18.50	IS3	2,158.34	SCE-60PC36	55.63	33.00	181.41
Dual Access Overlapping Two-Door									
SCE-464919DC	46.25	49.25	18.50	IS3	1,753.31	SCE-48P36	45.00	33.00	154.46
SCE-466019DC	46.25	59.88	18.50	IS3	2,330.54	SCE-60PC36	55.63	33.00	181.41
Dual Access Two-Door With Center Channel									
SCE-464919DCC	46.25	49.25	18.50	IS4	2,061.51	SCE-48P36	45.00	33.00	154.46
SCE-466019DCC	46.25	59.88	18.50	IS4	2,648.34	SCE-60PC36	55.63	33.00	181.41

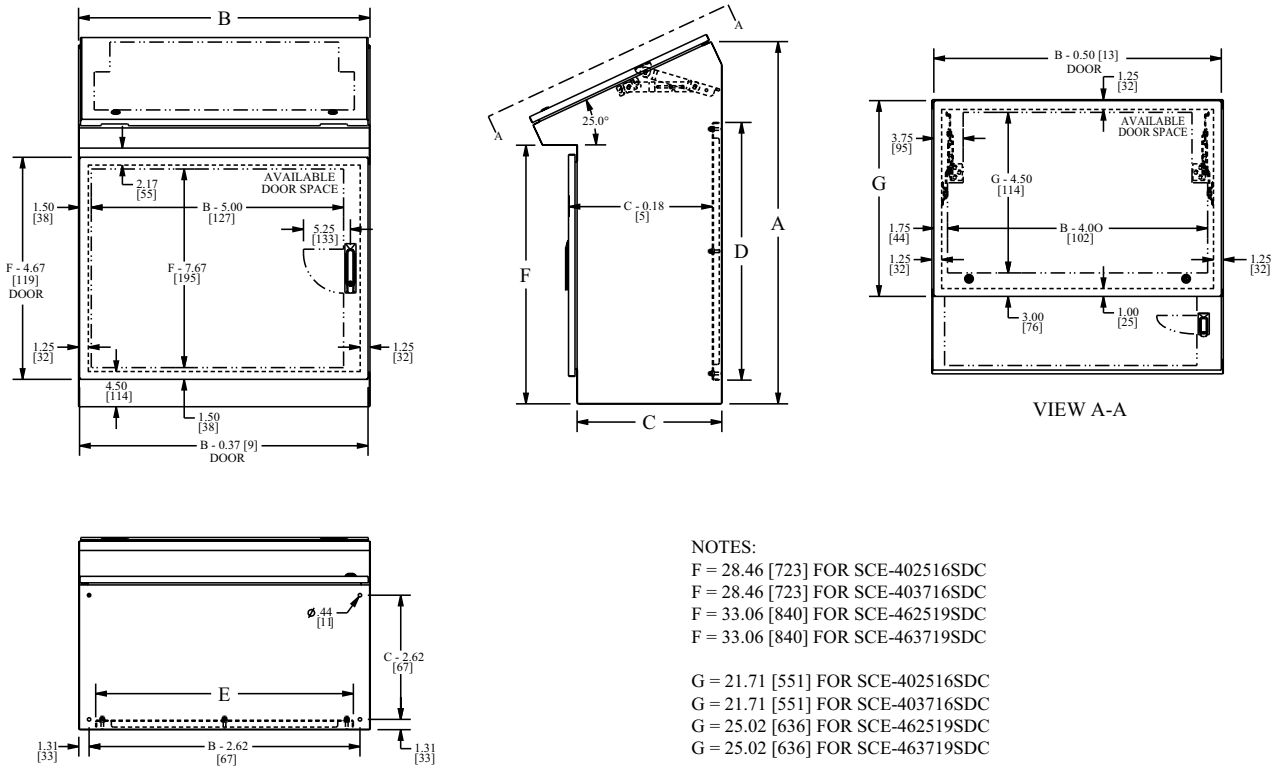


Phone (989) 799-6871
Fax (989) 799-4524

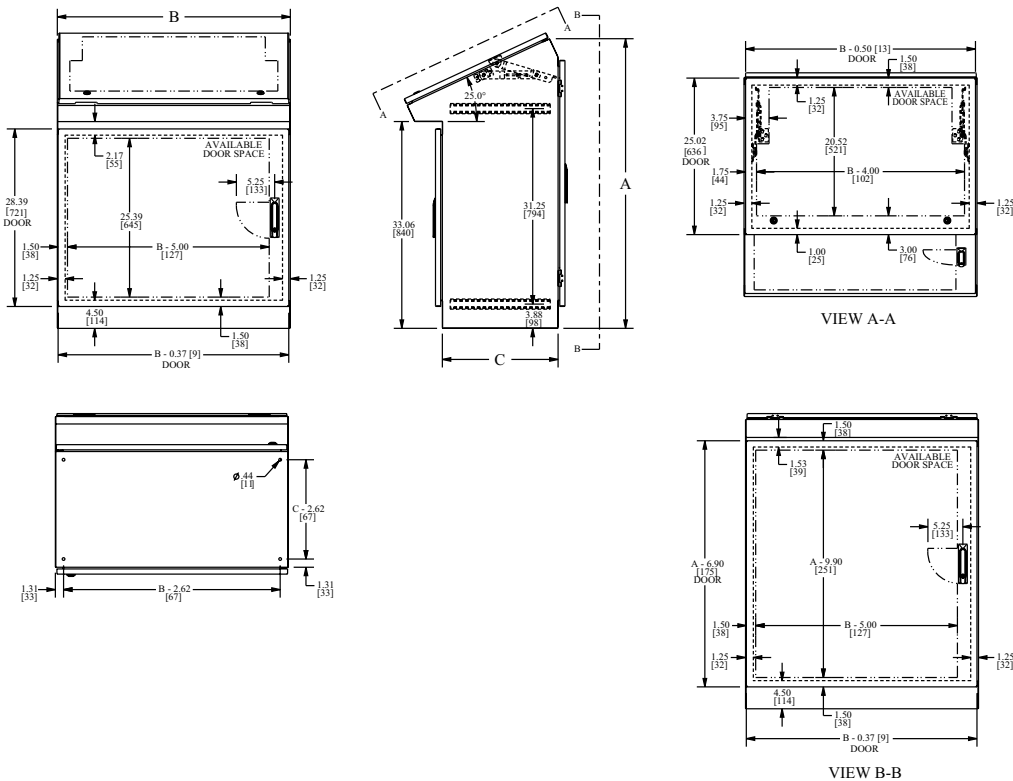


DESK CONSOLES TECHNICAL DATA

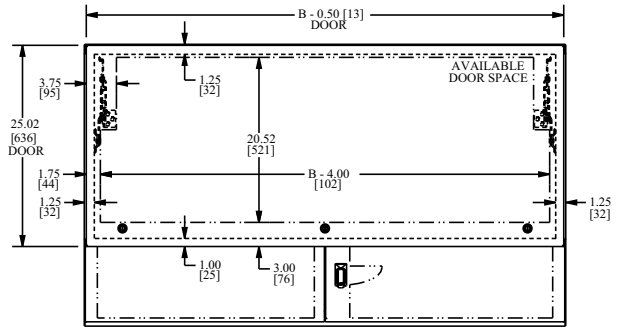
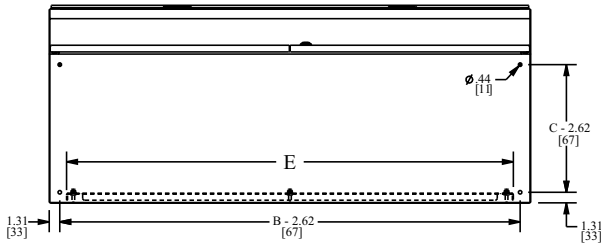
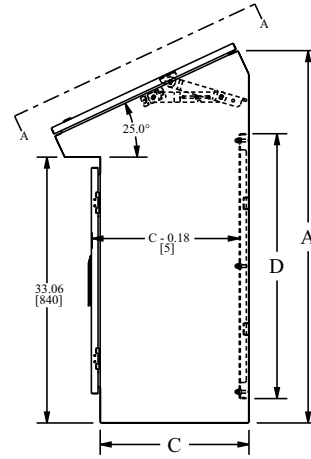
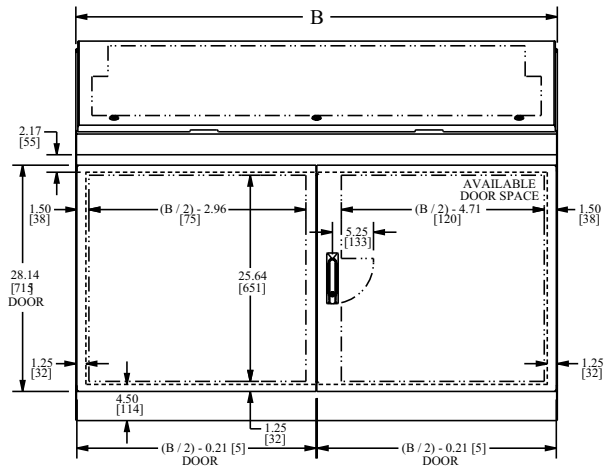
SINGLE ACCESS SINGLE-DOOR



DUAL ACCESS SINGLE-DOOR

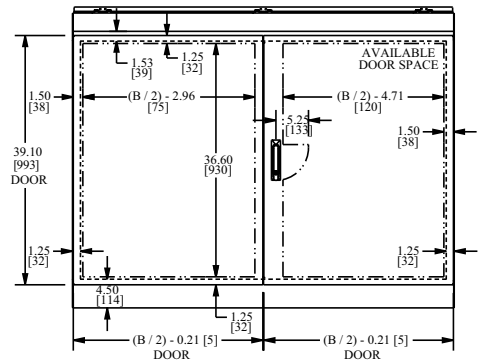
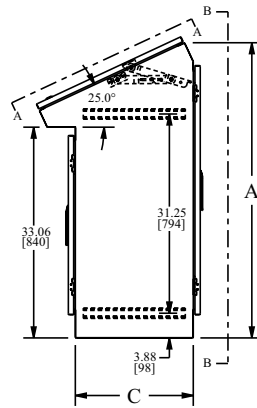
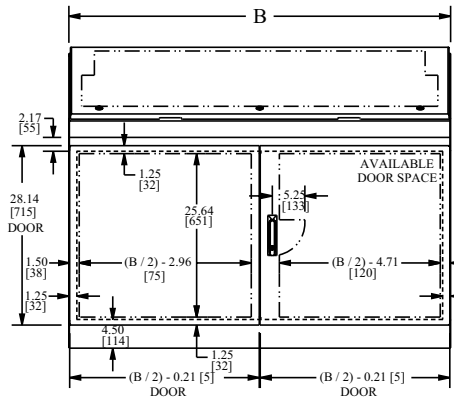


SINGLE ACCESS OVERLAPPING TWO-DOOR

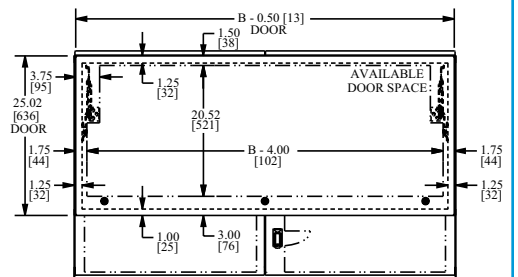
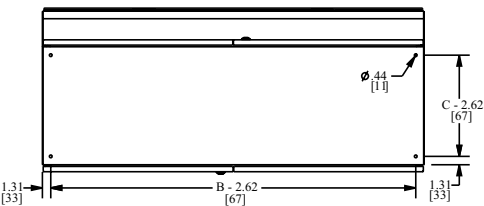


VIEW A-A

DUAL ACCESS OVERLAPPING TWO-DOOR



VIEW B-B



VIEW A-A

1 Operator System Enclosures
 2 Wall-Mount Enclosures
 3 Free-Standing & Floor-Mounted Enclosures
 4 Modular Enclosures
 5 Operator System Enclosures (Stainless Steel)
 6 Wall-Mount Enclosures (Stainless Steel)
 7 Free-Standing & Floor-Mounted Enclosures (Stainless Steel)
 8 Non-Metallic Enclosures
 9 Accessories
 10 Technical Information
 11 Index

Work Station

Application -

Designed to house a computer, keyboard, monitor and other additional computer equipment in an industrial environment and provide degree of protection from dust, oil and moisture. For installation information, consult our Installation Manual at www.saginawcontrol.com.

Construction -

- 0.075" carbon steel.
- Seams continuously welded and ground smooth.
- Oil-resistant gasket.
- Flange trough collar around all sides of door opening.
- Concealed hinges.
- Removable doors.
- Ground studs on door and body.
- Large polycarbonate viewing window in top door.
- Lifting eyes for easy handling.
- Rubber pads with provision for leveling pads on bottom of enclosure.
- Black quarter turn latches on top door.
- Black quarter turn wing knob latches on keyboard door.
- Black 3-point flush swing handle in lower front and back doors.
- Gland plate on lower back of enclosure.
- Pullout keyboard shelf with attached self storing mouse shelf and mouse pad.
- Mounting channels welded on sides of interior body for mounting optional sub-panels, racks, mounting angles and shelves.

Options -

Optional tamper-resistant inserts or padlocking handles are available.

Accessories - See page 26

Finish -

RAL 7035 gray powder coated inside and out.

IS1 - Industry Standards -

NEMA Type 12 & Type 13
UL Listed Type 12
CSA Type 12
IEC 60529 IP55

WORK STATION

ENCLOSURE PRODUCT CODE C2

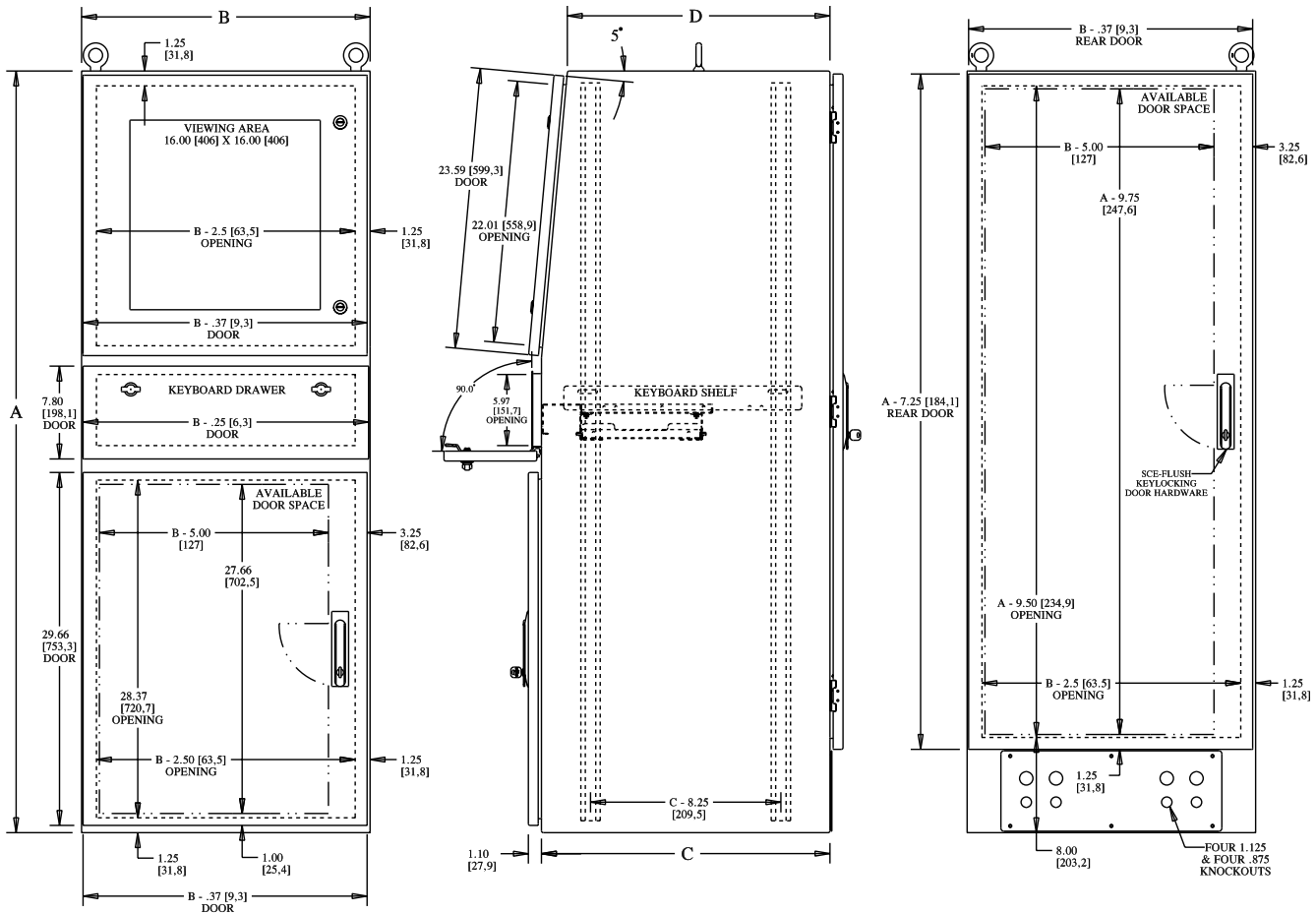
Catalog No.	Height (A)	Width (B)	Depth (C)	Top Size (D)	Industry Standard	List Price
SCE-642424WS	64.00	24.25	24.25	22.15	IS1	2,316.68
SCE-642432WS	64.00	24.25	32.25	29.90	IS1	2,455.94



Phone (989) 799-6871
Fax (989) 799-4524



WORK STATION TECHNICAL DATA



Pedestal Mount/Desktop Work Station

Application -

Designed to house a computer, keyboard, monitor and other additional computer equipment in an industrial environment and provide degree of protection from dust, oil and moisture. For installation information, consult our Installation Manual at www.saginawcontrol.com.

Construction -

- 0.075" carbon steel.
- Seams continuously welded and ground smooth.
- Oil-resistant gasket.
- Flange trough collar around all sides of door opening.
- Concealed hinges.
- Removable doors.
- Ground studs on door and body.
- Large polycarbonate viewing window.
- Lifting eyes for easy handling.
- Black quarter turn latches on top door.
- Black quarter turn wing knob latches on keyboard door.
- Black 3-point flush swing handle in back door.
- Pullout keyboard shelf with attached self storing mouse shelf and mouse pad.
- Mounting channels welded on sides of interior body for mounting optional sub-panels, racks, mounting angles and shelves.

Options -

Optional tamper-resistant inserts or padlocking handles are available.

Accessories - See page 26

Finish -

RAL 7035 gray powder coated inside and out.

IS1 - Industry Standards -

NEMA Type 12 & Type 13
UL Listed Type 12
CSA Type 12
IEC 60529 IP55

PEDESTAL MOUNT / DESKTOP WORK STATION

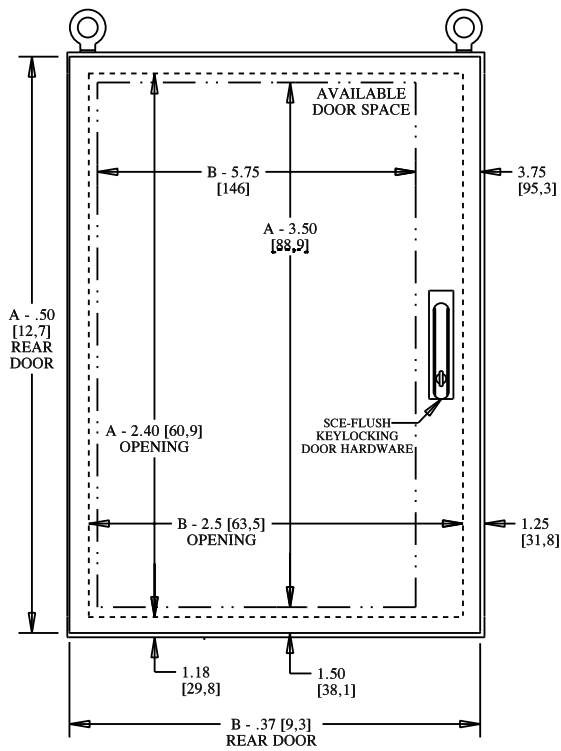
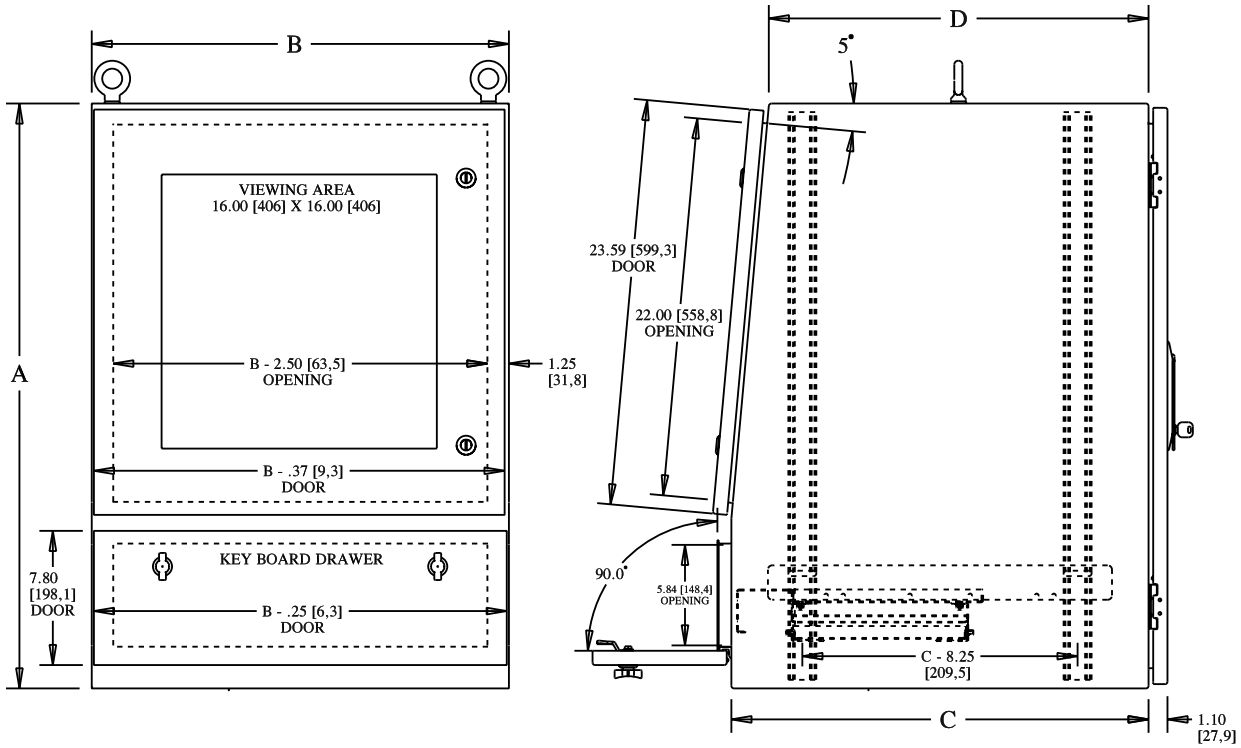
ENCLOSURE PRODUCT CODE C2						
Catalog No.	Height (A)	Width (B)	Depth (C)	Top Size (D)	Industry Standard	List Price
SCE-342424WS	34.00	24.25	24.25	22.15	IS1	1,676.11



Phone (989) 799-6871
Fax (989) 799-4524



PEDESTAL MOUNT OR DESKTOP WORK STATION TECHNICAL DATA



Slope Top Work Station

Application -

Designed to house a computer, keyboard, monitor and other additional computer equipment in an industrial environment or an environment which may be regularly hosed down or in very wet or oily conditions. Provides protection from dust, dirt, water and oil. For installation information, consult our Installation Manual at www.saginawcontrol.com.

Construction -

- 0.075" carbon steel.
- Seams continuously welded and ground smooth.
- 15 degree sloped top.
- 12.5 degree sloped keyboard desk.
- Oil-resistant gasket.
- Flange trough collar around all sides of door opening.
- Concealed hinges.
- Removable doors.
- Ground studs on door and body.
- Large polycarbonate viewing window in top door.
- Lifting eyes for easy handling.
- Rubber pads with provision for leveling pads on bottom of enclosure.
- Black quarter turn latches on top door.
- Black 3-point flush swing handle in lower front and back doors.
- Gland plate on lower back of enclosure.
- Mounting channels welded on sides of interior body for mounting optional panels, racks, mounting angles and shelves.
- Provisions for Monitor Mounting System.
- Pencil edge palm rest

Options -

Optional tamper-resistant inserts or padlocking handles are available.

Accessories - See page 26

Finish -

Powder coated white inside and out.

IS1 - Industry Standards -

NEMA Type 12 & Type 13
UL Listed Type 12
CSA Type 12
IEC 60529 IP55

SLOPE TOP WORK STATION

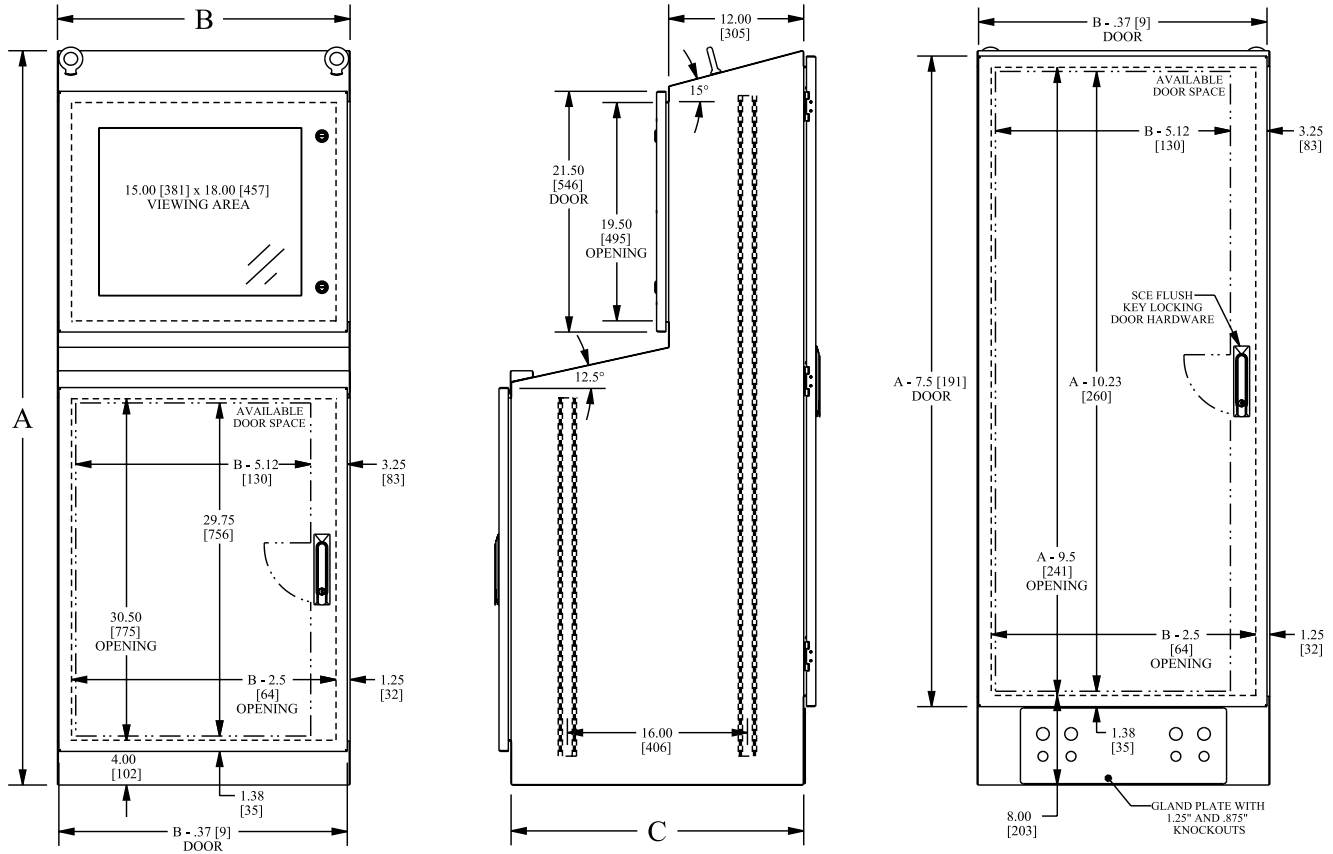
ENCLOSURE PRODUCT CODE C2					
Catalog No.	Height (A)	Width (B)	Depth (C)	Industry Standard	List Price
SCE-66ST2626WS	65.59	26.00	26.00	IS1	2,330.53



Phone (989) 799-6871
Fax (989) 799-4524



SLOPE TOP WORK STATION TECHNICAL DATA



WORK STATION ACCESSORY SELECTION GUIDE

PART NUMBER	DESCRIPTION									REQUIRES
		SCE-642424WS	SCE-642424SSWS	SCE-642432WS	SCE-642432SSWS	SCE-342424WS	SCE-342424SSWS	SCE-66ST2626WS	SCE-66ST2626SSWS	
SCE-20POS	Pullout Shelf	*	*			*	*			
SCE-22POS	Pullout Shelf							*	*	
SCE-26POS	Pullout Shelf			*	*					
SCE-22VEPOS	Vented Pullout Shelf							*	*	
SCE-20STS	Stationary Shelf	*	*			*	*			
SCE-22STS	Stationary Shelf							*	*	
SCE-26STS	Stationary Shelf			*	*					
SCE-20VESTS	Vented Stationary Shelf	*	*			*	*			
SCE-22VESTS	Vented Stationary Shelf							*	*	
SCE-26VESTS	Vented Stationary Shelf			*	*					
SCE-8STS	Monitor Shelf							*	*	
SCE-8VESTS	Vented Monitor Shelf							*	*	
SCE-STMMK	Monitor Mounting Bracket	*	*	*	*			*	*	
SCE-60RA19WS	Type RA Top Rack Angle	*	*	*	*	*	*			SCE-CN1032
SCE-60RA24WS	Type RA Bottom Rack Angle	*	*	*	*					SCE-CN1032
SCE-60RP19WS	Type RP Top Rack Angle	*	*	*	*	*	*			SCE-CN1032
SCE-60RP24F6	Type RP Bottom Rack Angle	*	*	*	*					SCE-CN1032
SCE-STWSPL	Pencil Edge/Palm Rest							*		Qty. 1 Included
SCE-STWSPLSS	Pencil Edge/Palm Rest								*	Qty. 1 Included
SCE-PSK24	Panel Support	*	*			*	*	*	*	
SCE-PSK32	Panel Support			*	*					
SCE-60P24WS	Side Mount Plate	*	*			*	*	*	*	
SCE-60P32WS	Side Mount Plate			*	*					
SCE-SB18	Support Bracket	*	*	*	*	*	*			Type RA Rack Angles
SCE-LPD2	Leveling Pad	*	*	*	*	*	*	*	*	
SCE-STWBTD	Blank Top Door							*		
SCE-STWSSBTD	Blank Top Door - Stainless Steel								*	
SCE-WSBTD	Blank Top Door	*	*	*	*	*	*			
SCE-WSSBTD	Blank Top Door - Stainless Steel		*		*	*	*			
SCE-PE22	Pedestal					*				
SCE-PE22SS	Pedestal - Stainless Steel						*			
SCE-24PEBASE	Pedestal Base					*				
SCE-24PEBASESS	Pedestal Base - Stainless Steel						*			
SCE-P2424WS	Plinth Base	*				*				
SCE-P2432WS	Plinth Base		*							
SCE-P2626WS	Plinth Base							*		
SCE-P2424SSWS	Plinth Base - Stainless Steel		*			*				
SCE-P2432SSWS	Plinth Base - Stainless Steel			*						
SCE-P2626SSWS	Plinth Base - Stainless Steel								*	
SCE-KBH	Keyboard Housing	*	*	*	*	*	*			
SCE-WSCC	Control Compartment	*	*	*	*	*	*			
SCE-WSCCSS	Control Compartment - Stainless Steel		*	*	*	*	*			
SCE-KBS	Keyboard Shelf	*	*	*	*	*	*			Qty. 1 Included

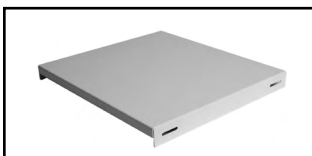
Catalog No.	Height (A)	Width (B)	Depth (C)	Used In Enclosure Depth	Product Code	List Price
SCE-20POS	2.00	19.50	20.00	24.25	C2	247.74
SCE-22POS	2.00	21.25	22.00	26.00	C2	251.26
SCE-26POS	2.00	19.50	28.00	32.25	C2	254.25



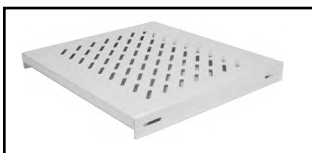
Catalog No.	Height (A)	Width (B)	Depth (C)	Used In Enclosure Depth	Product Code	List Price
SCE-22VEPOS	2.00	21.25	22.00	26.00	C2	317.95



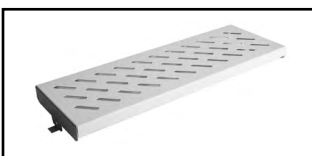
Catalog No.	Height (A)	Width (B)	Depth (C)	Used In Enclosure Depth	Product Code	List Price
SCE-20STS	2.00	22.00	20.00	24.25	C2	70.41
SCE-22STS	2.00	23.75	22.00	26.00	C2	73.82
SCE-26STS	2.00	22.00	28.00	32.25	C2	76.92



Catalog No.	Height (A)	Width (B)	Depth (C)	Used In Enclosure Depth	Product Code	List Price
SCE-20VESTS	2.00	22.00	20.00	24.25	C2	169.51
SCE-22VESTS	2.00	23.75	22.00	26.00	C2	175.04
SCE-26VESTS	2.00	22.00	28.00	32.25	C2	182.54



Catalog No.	Description	Height (A)	Width (B)	Depth (C)	Product Code	List Price
SCE-8STS	Non-Vented	1.50	23.75	8.00	C2	53.03
SCE-8VESTS	Vented	1.50	23.75	8.00	C2	60.33



WORK STATION ACCESSORIES

Pullout Shelf

Pullout shelves are designed to allow easy access to the back of equipment. Extends 19" and mounts between the mounting channels provided inside the work station. Slides are included with shelf. Made of heavy gauge steel and powder coated white. Mounting hardware is included.

Vented Pullout Shelf

Vented pullout shelves are designed to allow easy access to the back of equipment and to allow air circulation inside the work station. Extends 19" and mounts between the mounting channels provided inside the work station. Slides are included with the shelf. Made of heavy gauge steel and powder coated white. Mounting hardware is included.

Stationary Shelf

Designed to support monitors, PC's, printers or any other equipment. Mounts between the mounting channels provided inside the work station. Made of heavy gauge steel and powder coated white. Mounting hardware is included.

Vented Stationary Shelf

Designed to support monitors, PC's, printers or any other equipment while allowing air circulation inside the work station. Mounts between the mounting channels provided inside the work station. Made of heavy gauge steel and powder coated white. Mounting hardware is included.

Monitor Shelf Non-Vented & Vented

Designed to support the monitor or other components in the upper section of the work station. Vented shelf allows air circulation inside the work station. Made of heavy gauge steel and powder coated white. Mounting hardware is included.

WORK STATION ACCESSORIES

Monitor Mounting System

Designed for direct mounting of a flat screen monitor to the Work Station window door. Can be used with Standard Work Station or Slope Top Workstation. Made of steel and black texture powder coated. Mounting hardware is included.

Rack Mounting Angle (Type RA) - "U-Shape"

Designed for mounting 19" rack mount equipment. Order clip nut package (CN1032) to provide tapped holes. Made of heavy gauge steel and powder coated white. Mounting hardware is included.

Rack Mounting Angle (Type RP) - "L-Shape"

Designed for mounting 19" rack mount equipment. Order clip nut package (SCE-CN1032) to provide tapped holes. Made of heavy gauge steel and powder coated white. Mounting hardware is included.

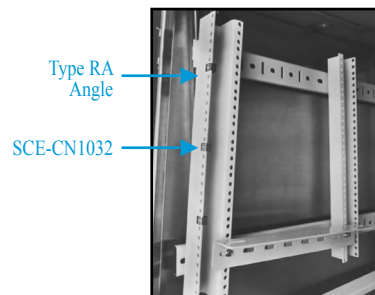
Pencil Edge/Palm Rest

Designed as a palm rest or retainer for the keyboard surface of the work station. Made of heavy gauge steel and powder coated white. "SS" part made of Type 304 stainless steel with #4 brushed finish. Mounting hardware is included.

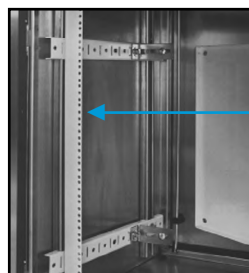
Catalog No.	Product Code	List Price
SCE-STMMK	P2	53.28



Catalog No.	Length	Mounting Location	Quantity Per Kit	Product Code	List Price
SCE-60RA19WS	19.25	Top	2	C2	119.96
SCE-60RA24WS	28.00	Bottom	2	C2	125.17



Catalog No.	Length	Mounting Location	Quantity Per Kit	Product Code	List Price
SCE-60RP19WS	19.25	Top	2	C2	58.68
SCE-60RP24F6	26.25	Bottom	2	P2	62.09



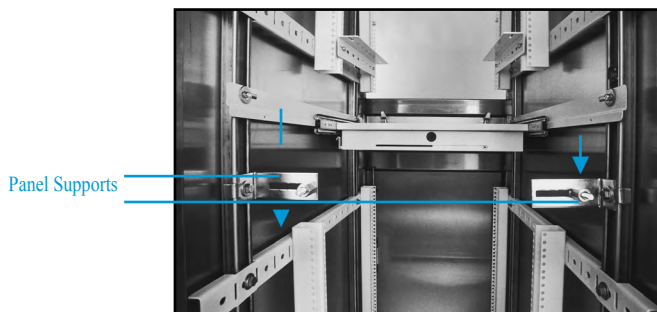
Catalog No.	Height (A)	Width (B)	Depth (C)	Product Code	List Price
SCE-STWSPL	0.56	26.00	2.00	C2	32.91
SCE-STWSPLSS	0.56	23.00	2.00	C2	114.00



Phone (989) 799-6871
Fax (989) 799-4524



Catalog No.	Height (A)	Width (B)	Depth (C)	Depth (D)	Quantity Per Kit	Product Code	List Price
SCE-PSK24	2.00	0.50	21.00	24.25	4	C2	59.98
SCE-PSK32	2.00	0.50	29.00	32.25	4	C2	63.90



Catalog No.	Height (A)	Width (B)	Used in Enclosure Depth	Product Code	List Price
SCE-60P24WS	12.00	17.50	24.25	C2	61.28
SCE-60P32WS	12.00	25.50	32.25	C2	70.41



Catalog No.	Quantity Per Kit	Product Code	List Price
SCE-CN1032	20	P2	32.31



WORK STATION ACCESSORIES

Panel Support

Panel supports can be installed horizontally to the left and right side of enclosure. Allows easy installation of optional panels or (RA) and (RP) type rack mounting angles to make them adjustable from front to back of the enclosure. Made of heavy gauge steel with a white powder coat finish. Mounting hardware is included.

Side Mount Plate

Designed to provide extra mounting space on the sides of the enclosure. Can be securely attached to the mounting channels. Mounting hardware is included. Made of heavy gauge steel and powder coated white.

Clamping Nuts

Clamping nuts with a #10-32 retained nut will fit all rack mounting angles and rack mounting frames, to provide tapped holes. Nuts are zinc plated.

WORK STATION ACCESSORIES

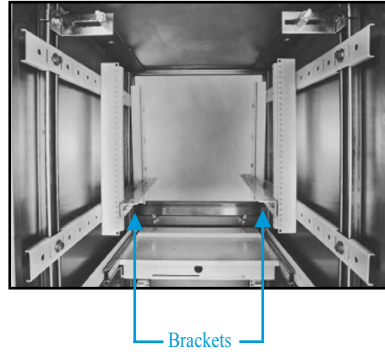
Individual Panel Supports

Individual Panel Supports are available for mounting sub-panels. Packaged in sets with all mounting hardware included. Made of heavy gauge steel and plated.



Support Bracket

Equipment support brackets help support rack mounted equipment during installation. The support mounts between two pair of type (RA) rack mounting angles. Slotted holes are provided to allow adjustment. Made of heavy gauge steel and powder coated white. Mounting hardware is included.



Channel Nuts

Designed to allow mounting of additional equipment to side channels. Zinc plated.

Catalog No.	Description	Quantity Per Kit	Product Code	List Price
SCE-PS3816CN	3/8 - 16 Strut Nut	20	P2	42.22
SCE-PS1420CN	1/4 - 20 Strut Nut	20	P2	42.22



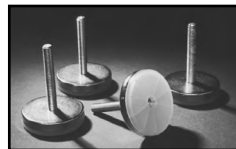
SCE-PS1420CN



SCE-PS3816CN

Leveling Pads

Designed to attach to the bottom of the enclosure in the existing threaded holes. Allows for adjustments for uneven floors. Pads are zinc plated with a plastic base. Mounting hardware is included.



Catalog No.	Thread Size	Height	Quantity Per Kit	Product Code	List Price
SCE-LPD2	3/8 - 16	2.00	4	P2	37.25

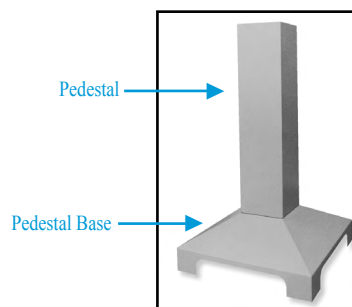
Phone (989) 799-6871
Fax (989) 799-4524



Catalog No.	Height (A)	Width (B)	Finish	Product Code	List Price
SCE-STWBTD	21.50	25.63	White	C2	155.47
SCE-STWSSBTD	21.50	25.63	Stainless Steel	C2	462.20
SCE-WSBTD	23.60	23.86	RAL 7035 Gray	C2	247.74
SCE-WSSBTD	23.59	23.88	Stainless Steel	C2	365.08



Catalog No.	Height (A)	Width (B)	Depth (C)	Finish	Product Code	List Price
SCE-PE22	21.38	8.00	8.00	RAL 7035 Gray	C2	365.08
SCE-PE22SS	21.38	8.00	8.00	Stainless Steel	C2	912.72



Catalog No.	Height (A)	Width (B)	Depth (C)	Finish	Product Code	List Price
SCE-24PEBASE	10.00	24.00	24.00	RAL 7035 Gray	C2	545.02
SCE-24PEBASESS	10.00	24.00	24.00	Stainless Steel	C2	1,363.86

Catalog No.	Height (A)	Width (B)	Depth (C)	Product Code	List Price
SCE-P2424WS	4.00	24.25	24.25	P2	169.92
SCE-P2432WS	4.00	32.25	24.25	P2	198.24
SCE-P2626WS	4.00	26.00	26.00	P2	184.08
Stainless Steel					
SCE-P2424SSWS	4.00	24.25	24.25	P2	515.13
SCE-P2432SSWS	4.00	32.25	24.25	P2	588.72
SCE-P2626SSWS	4.00	26.00	26.00	P2	552.24

WORK STATION ACCESSORIES

Blank Top Door

Designed to replace the top door when cutouts are desired. Oil resistant gasket. Installed by removing hinge pin. Black quarter turn latches. Made of heavy gauge steel and powder coated. "SS" door is made of Type 304 stainless steel with #4 brushed finish. Mounting hardware is included.

Pedestal

Designed to allow desktop work stations to be floor mounted. Gasket and hardware provided to attach to work station. Made of heavy gauge steel and powder coated RAL 7035 gray. "SS" pedestal is made of Type 304 stainless steel.

Pedestal Base

Designed to mount pedestal to the floor. Made of heavy gauge steel and powder coated RAL 7035 gray. "SS" base is made of Type 304 stainless steel. Mounting hardware is included.

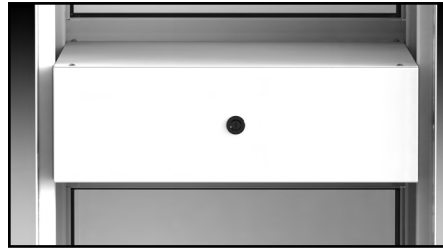
Work Station Plinth Base

Designed to install under an enclosure to provide space for cables to enter from below and raise the enclosure up off the floor. Plinth bases are stackable to acquire desired height off the floor. Made of heavy gauge steel and finished with black textured powder coat. "SS" parts are made of type 304 stainless steel with #4 brushed finish.

WORK STATION ACCESSORIES

Keyboard Housing

Provides protection from dust, dirt, oil and water for interior components when keyboard drawer is open. Mounts to mounting channels. Keyboard shelf with slides is mounted inside the housing. Hole grommet in rear provided for cords. Powder coated white. Mounting hardware is included.



Catalog No.	Height (A)	Width (B)	Depth (C)	Product Code	List Price
SCE-KBH	7.00	21.91	22.38	C2	247.74

Control Compartment

Designed to be mounted to the front of the work station when installation of pushbuttons or control panels is desired. Installed after removing the pullout keyboard drawer and door. Can be installed with the flat or sloped surface facing up. 20 degree slope on sloped surface. Gasket and mounting hardware included. Made of heavy gauge steel and powder coated RAL 7035 gray. "SS" part is made of Type 304 stainless steel with #4 brushed finish.

Catalog No.	Height (A)	Width (B)	Depth (C)	Finish	Product Code	List Price
SCE-WSCC	8.00	24.25	14.50	RAL 7035 Gray	C2	286.86
SCE-WSCCSS	8.00	24.25	14.50	Stainless Steel	C2	664.98



Pullout Keyboard Drawer

Designed to hold a keyboard and mouse on a separate pullout shelf. Mounts between mounting channels. Made of heavy gauge steel with a white powder coat finish. A mouse pad is included. Drawer is included with work station. Mounting hardware is included.

Catalog No.	Height (A)	Width (B)	Depth (C)	Used in Enclosure Depth	Product Code	List Price
SCE-KBS	3.00	20.00	14.00	24.25	P2	372.54
SCE-KBS32	3.00	20.00	14.00	32.25	P2	372.54



Phone (989) 799-6871
Fax (989) 799-4524



NOTES



Phone (989) 799-6871
Fax (989) 799-4524

- 1 Operator System Enclosures
- 2 Wall-Mount Enclosures
- 3 Free-Standing & Floor-Mounted Enclosures
- 4 Modular Enclosures
- 5 Operator System Enclosures (Stainless Steel)
- 6 Wall-Mount Enclosures (Stainless Steel)
- 7 Free-Standing & Floor-Mounted Enclosures (Stainless Steel)
- 8 Non-Metallic Enclosures
- 9 Accessories
- 10 Technical Information
- 11 Index

HMI Enclosures & Accessories

Application -

Designed to house Human-Machine Interfaces (HMI) and electrical and electronic controls, instruments and components. Provides a degree of protection from dust, oil and water.

Construction -

- 0.075" carbon steel.
- Seams continuously welded and ground smooth.
- Reinforced with mounting provisions for suspension or pedestal mounting.
- Concealed hinge access door with provisions for sub-panel.
- Removable front cover for easy installation of cutouts, HMI and components.
- Oil-resistant gasket.
- Black quarter turn latches.
- Latches are opened or closed with a screwdriver.
- Ground studs on door and body.

Finish -

RAL 7035 gray powder coated inside and out. Optional sub-panels powder coated white.

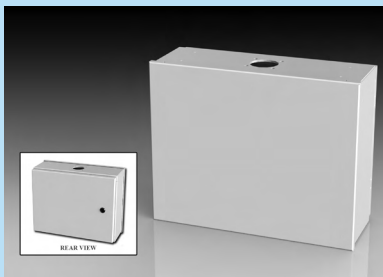
Options -

- Tamper-resistant latches
- Pull handles
- Keyboard shelf

IS4 - Industry Standards -

NEMA Type 3R, 4, 12 & Type 13
UL Listed Type 3R, 4 & 12
CSA Type 3R, 4 & 12
IEC 60529 IP66

***Special Instructions apply for IS3, IS4 and IS6 to maintain the environmental rating of Type 3R for these parts. See the Special Instructions on the Industry Standards page in the Technical Information Section.



HMI ENCLOSURES

ENCLOSURE PRODUCT CODE C2						SUB-PANEL (P3)			
Catalog No.	Height (A)	Width (B)	Depth (C)	Industry Standard	List Price	Catalog No.	Panel Height (D)	Panel Width (E)	List Price
SCE-12HMI1606LP	12.00	16.00	6.00	IS4	357.90	SCE-12P10	11.00	9.00	7.72
SCE-12HMI1610LP	12.00	16.00	10.00	IS4	380.23	SCE-12P10	11.00	9.00	7.72
SCE-14HMI1806LP	14.00	18.00	6.00	IS4	389.31	SCE-14P12	13.00	11.00	10.13
SCE-14HMI1810LP	14.00	18.00	10.00	IS4	412.33	SCE-14P12	13.00	11.00	10.13
SCE-16HMI2006LP	16.00	20.00	6.00	IS4	421.93	SCE-16P14	15.00	13.00	19.95
SCE-16HMI2010LP	16.00	20.00	10.00	IS4	445.70	SCE-16P14	15.00	13.00	19.95
SCE-20HMI2406LP	20.00	24.00	6.00	IS4	461.02	SCE-20P18HMI	19.00	17.00	33.23
SCE-20HMI2410LP	20.00	24.00	10.00	IS4	496.94	SCE-20P18HMI	19.00	17.00	33.23

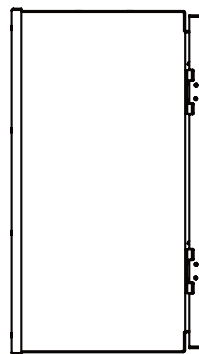
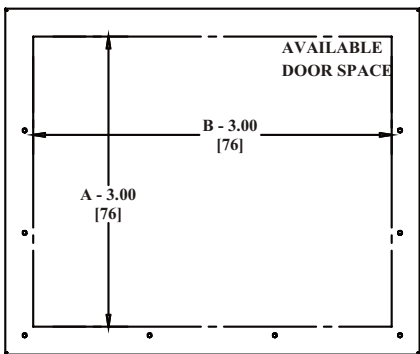
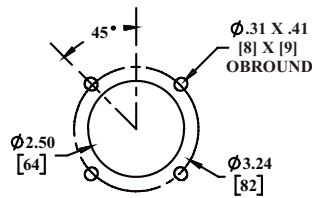
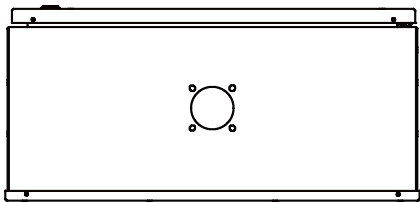
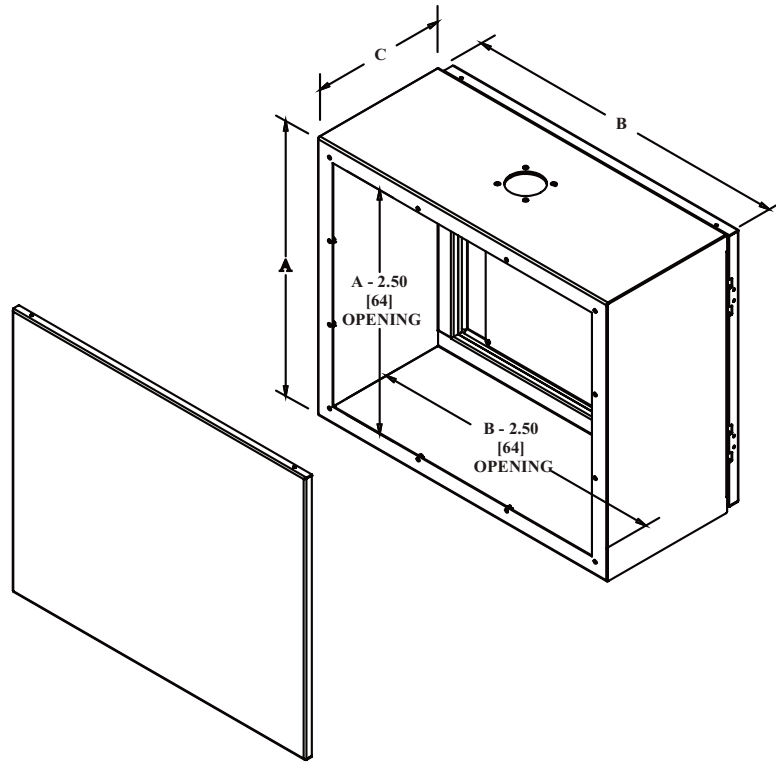
For Reference View



Phone (989) 799-6871
Fax (989) 799-4524

SCE SAGINAW
CONTROL &
ENGINEERING
Your Enclosure Source®

HMI ENCLOSURES TECHNICAL DATA

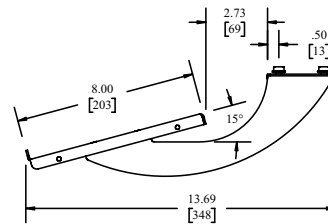
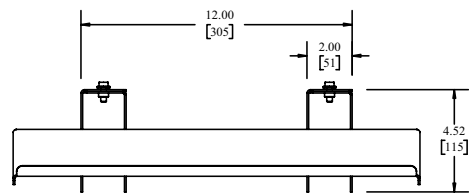
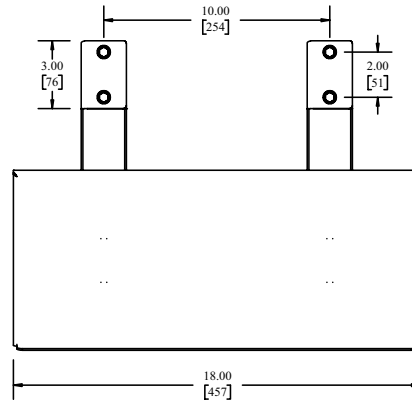
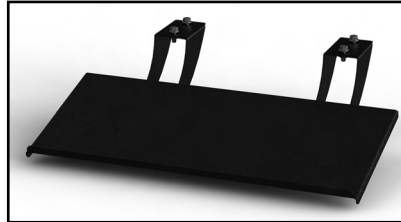


HMI ACCESSORIES

HMI Keyboard Shelf

Designed for use on HMI enclosures. Mounting hardware is included.

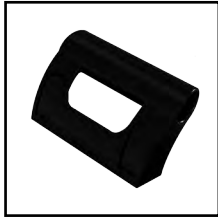
Catalog No.	Height (A)	Width (B)	Depth (C)	Finish	Product Code	List Price
SCE-HMIKBS	4.52	18.00	13.69	Black Texture	P2	167.47
SCE-HMIKBSSS	4.52	18.00	13.69	Stainless Steel	P2	378.14



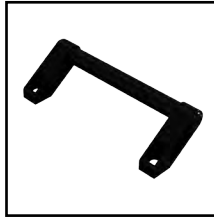
Phone (989) 799-6871
Fax (989) 799-4524



Catalog No.	Height (A)	Width (B)	Depth (C)	QTY per Kit	Product Code	List Price
SCE-HMIPH5	5.28	2.57	2.84	1	P2	25.16
SCE-AUHK	12.00	4.27	3.15	1	P2	35.94

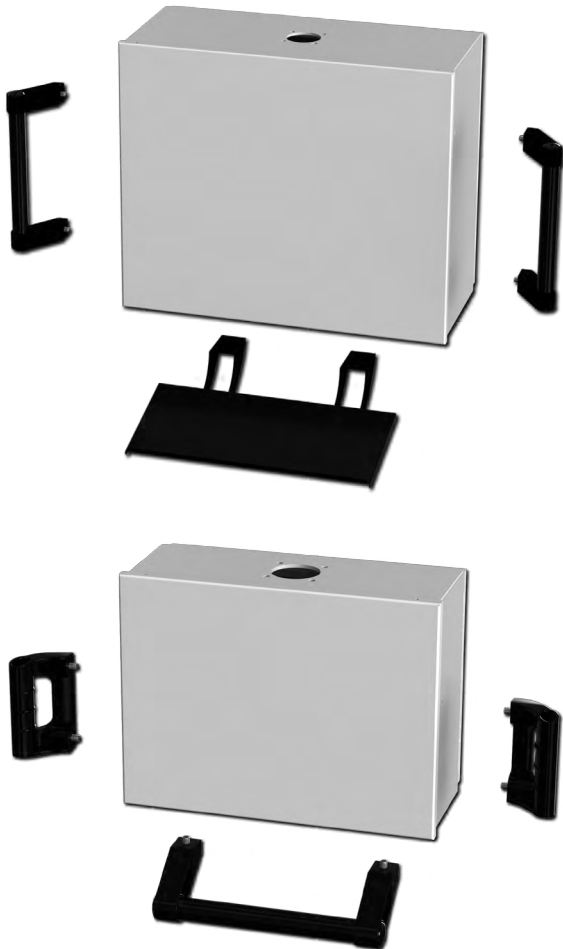


SCE-HMIPH5



SCE-AUHK

Catalog No.	Height (A)	Width (B)	Depth (C)	QTY per Kit	Product Code	List Price
SCE-HMICP	3.50	3.50	0.08	1	P2	43.00



HMI ACCESSORIES

HMI Pull Handle

Designed for use on HMI enclosures. Handle is a steel tube plastic coated black with black molded polyamide plastic end stays. Mounting hardware is included.

HMI Cover Plate

Gasketed cover plate for use on HMI enclosures when mounting cutout is not needed. Made of heavy gauge steel and powder coated RAL 7035 Gray.

Suspension System

Application -

Designed for use with the SCE HMI enclosures, allows operators to easily move or position an HMI to an ergonomic and comfortable working position. Heavy duty and reliable construction. Suspension Systems can be assembled in a multitude of configurations that allow for machine mount, wall mount, top mount, and floor mount options. For Installation instructions consult our installation manual at www.saginawcontrol.com.

Construction -

- Cast aluminum couplings.
- Extruded aluminum tubes (6060T66).
- Rotating couplings have adjustable tensioner brakes to control movement while in use.
- Open or closed tube design.
- Open tube allows for easy access to lay in wiring, with easy to install push fit rubber cover.
- Closed tube acts as conduit for feeding wiring.
- Rigid, durable bearing in all rotating couplings withstand the stress of continuous use.
- Removable access covers on all couplings with 90 degree turn.
- Hardware and gasket included for installation of coupling to tube.

Finish -

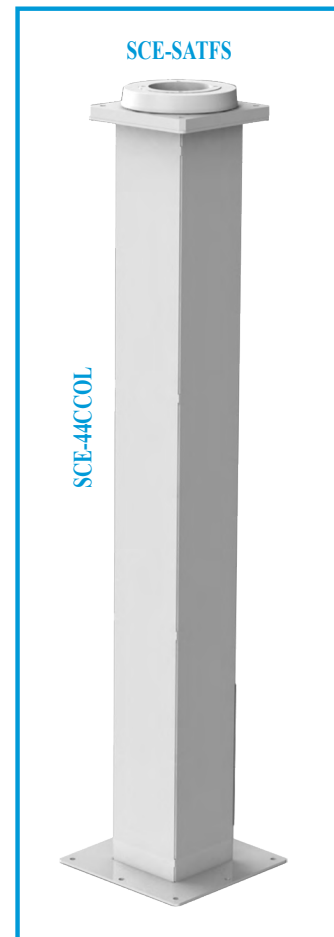
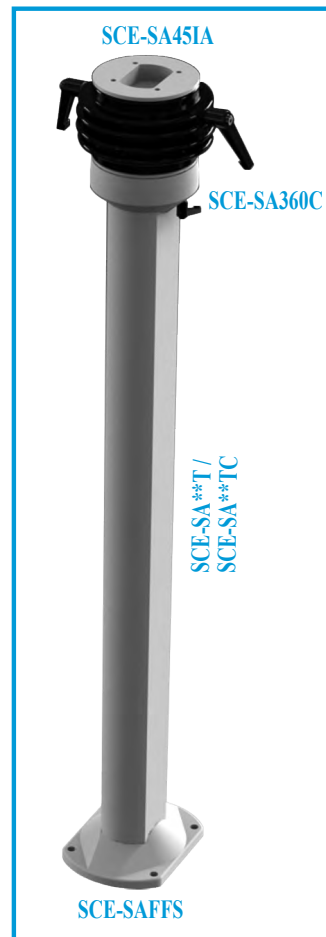
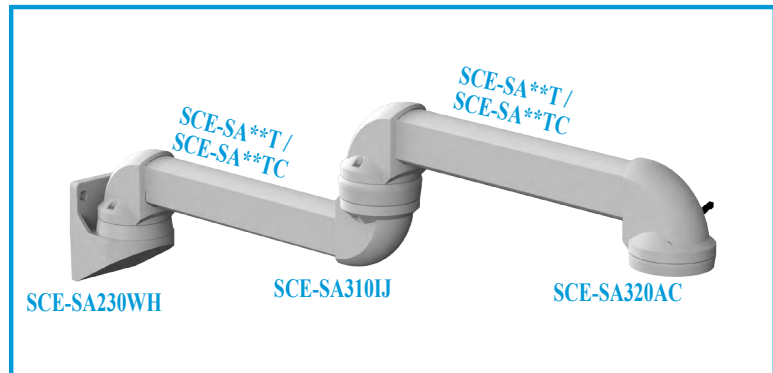
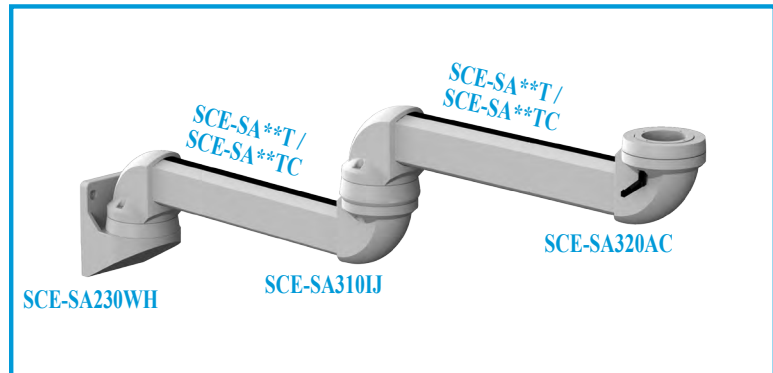
RAL 7035 powder coated finish.

For further information on individual components see page 368

Industry Standards -

NEMA Type 12
IEC 60529 IP55

POSSIBLE SUSPENSION SYSTEM CONFIGURATIONS



NOTES

- 11 Index
- 10 Technical Information
- 9 Accessories
- 8 Non-Metallic Enclosures
- 7 Free-Standing & Floor-Mounted Enclosures (Stainless Steel)
- 6 Wall-Mount Enclosures (Stainless Steel)
- 5 Operator System Enclosures (Stainless Steel)
- 4 Modular Enclosures
- 3 Free-Standing & Floor-Mounted Enclosures
- 2 Wall-Mount Enclosures
- 1 Operator System Enclosures

Phone (989) 799-6871
 Fax (989) 799-4524



NOTES



Phone (989) 799-6871
Fax (989) 799-4524

- 1 Operator System Enclosures
- 2 Wall-Mount Enclosures
- 3 Free-Standing & Floor-Mounted Enclosures
- 4 Modular Enclosures
- 5 Operator System Enclosures (Stainless Steel)
- 6 Wall-Mount Enclosures (Stainless Steel)
- 7 Free-Standing & Floor-Mounted Enclosures (Stainless Steel)
- 8 Non-Metallic Enclosures
- 9 Accessories
- 10 Technical Information
- 11 Index

NOTES

- 11 Index
- 10 Technical Information
- 9 Accessories
- 8 Non-Metallic Enclosures
- 7 Free-Standing & Floor-Mounted Enclosures (Stainless Steel)
- 6 Wall-Mount Enclosures (Stainless Steel)
- 5 Operator System Enclosures (Stainless Steel)
- 4 Modular Enclosures
- 3 Free-Standing & Floor-Mounted Enclosures
- 2 Wall-Mount Enclosures
- 1 Operator System Enclosures

Phone (989) 799-6871
Fax (989) 799-4524



NOTES



Phone (989) 799-6871
Fax (989) 799-4524

- 1 Operator System Enclosures
- 2 Wall-Mount Enclosures
- 3 Free-Standing & Floor-Mounted Enclosures
- 4 Modular Enclosures
- 5 Operator System Enclosures (Stainless Steel)
- 6 Wall-Mount Enclosures (Stainless Steel)
- 7 Free-Standing & Floor-Mounted Enclosures (Stainless Steel)
- 8 Non-Metallic Enclosures
- 9 Accessories
- 10 Technical Information
- 11 Index

Wall-Mount Enclosures

Pushbutton Enclosures & Hinged Pushbutton Enclosures 46 – 59

Sloping Front Pushbutton Enclosures 60 – 63

Enviroline® Series Junction Enclosures 64 – 69

Enviroline® Series Trough Junction Enclosures 70 – 73

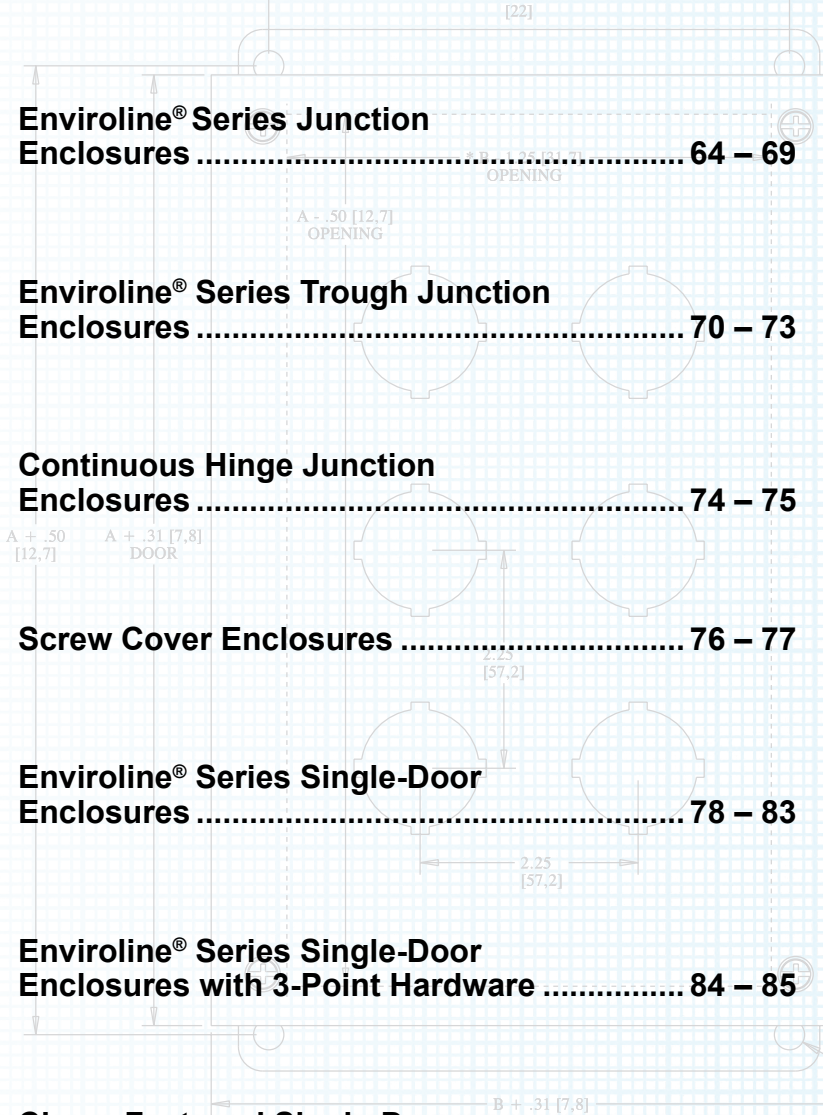
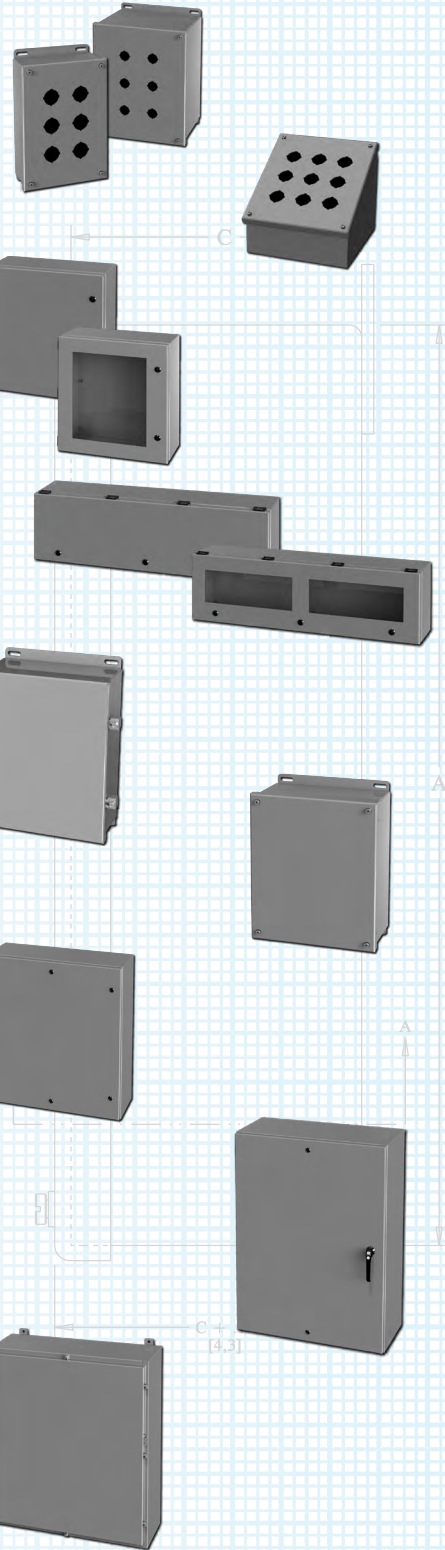
Continuous Hinge Junction Enclosures 74 – 75

Screw Cover Enclosures 76 – 77

Enviroline® Series Single-Door Enclosures 78 – 83

Enviroline® Series Single-Door Enclosures with 3-Point Hardware 84 – 85

Clamp Fastened Single-Door Enclosures 86 – 88



Phone (989) 799-6871
Fax (989) 799-4524



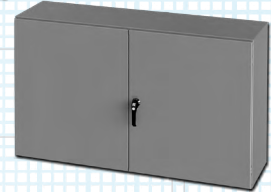
1 Operator System Enclosures
 2 Wall-Mount Enclosures
 3 Free-Standing & Floor-Mounted Enclosures
 4 Modular Enclosures
 5 Operator System Enclosures (Stainless Steel)
 6 Wall-Mount Enclosures (Stainless Steel)
 7 Free-Standing & Floor-Mounted Enclosures (Stainless Steel)
 8 Non-Metallic Enclosures
 9 Accessories
 10 Technical Information
 11 Index

Wall-Mount Enclosures

Enviroline® Series Two-Door Enclosures 90 – 91



Overlapping Two-Door Enclosures 92 – 93



Enviroline® Series Single-Door Enclosures for Flange-Mounted Disconnects with SCE Door Hardware 94 – 97



Single-Door Enclosures for Flange-Mounted Disconnects with SCE Door Hardware 98 – 99



Clamp Fastened Single-Door Enclosures for Flange-Mounted Disconnects 100 – 101



Vented Type 3R Disconnect Enclosures ... 102 – 103



Vented Type 3R Enclosures 104 – 105



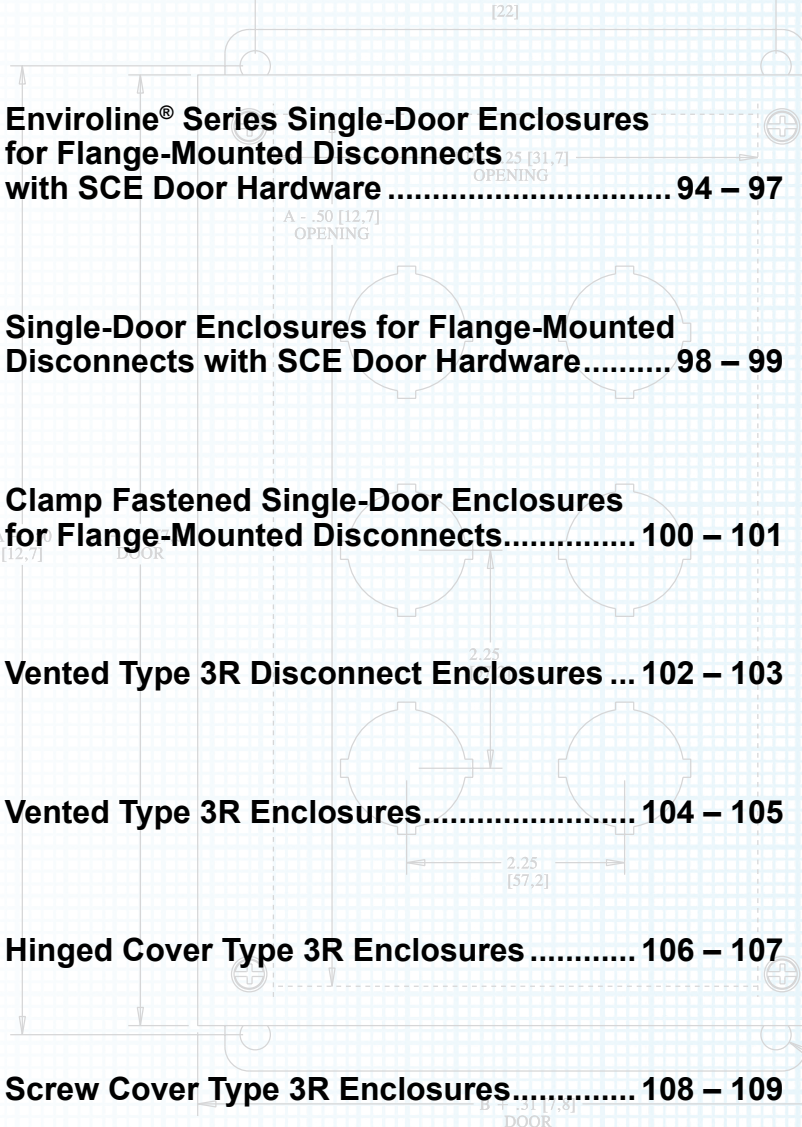
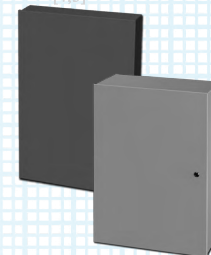
Hinged Cover Type 3R Enclosures 106 – 107



Screw Cover Type 3R Enclosures 108 – 109



General Purpose Type 1 Enclosures 110 – 113



Phone (989) 799-6871
Fax (989) 799-4524



30.5 mm Pushbutton Enclosures

Application -

Designed to offer protection for oil-tight pushbuttons, switches, and pilot lights from dust, water, dirt and oil. For installation information, consult our Installation Manual at www.saginawcontrol.com.

Construction -

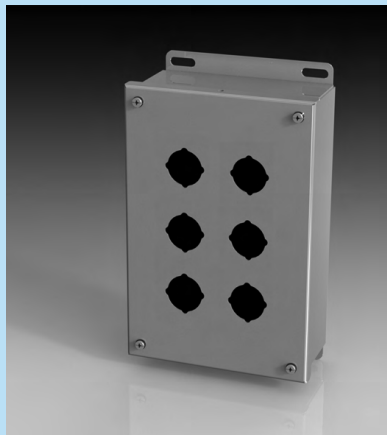
- 0.063" carbon steel.
- Continuously welded seams.
- Captivated cover screws thread into sealed wells.
- 4-way pushbutton holes accept all brands of oil-tight pushbuttons, switches and pilot lights. Hole diameter is 1.20" (30.5 mm).
- Immediate removal of cover is permitted.
- Oil-resistant gasket.
- Welded mounting provision top and bottom of back.

Finish -

ANSI-61 gray powder coated inside and out.

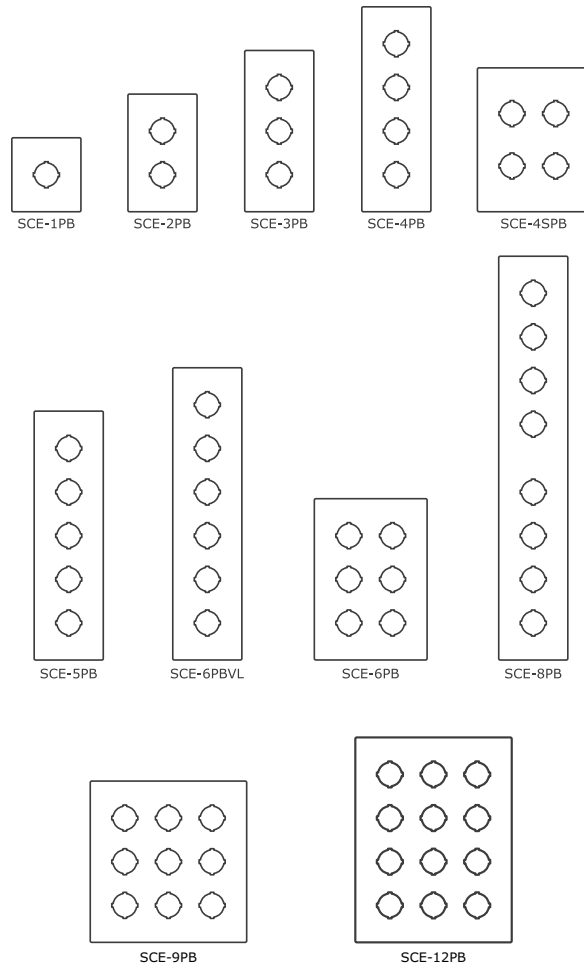
IS2 - Industry Standards -

NEMA Type 4, 12 & Type 23
 UL Listed Type 4 & 12
 CSA Type 4 & 12
 IEC 60529 IP66



30.5 mm PUSHBUTTON ENCLOSURES

ENCLOSURE PRODUCT CODE A1					
Catalog No.	Height (A)	Width (B)	Depth (C)	Industry Standard	List Price
SCE-1PB	3.50	3.25	2.75	IS2	43.90
SCE-2PB	5.75	3.25	2.75	IS2	50.17
SCE-3PB	8.00	3.25	2.75	IS2	56.43
SCE-4PB	10.25	3.25	2.75	IS2	62.70
SCE-4SPB	7.25	6.25	3.00	IS2	70.23
SCE-5PB	12.50	3.25	2.75	IS2	68.98
SCE-6PB	9.50	6.25	3.00	IS2	80.26
SCE-6PBVL	14.75	3.25	2.75	IS2	75.24
SCE-8PB	20.25	3.25	2.75	IS2	90.29
SCE-9PB	9.50	8.50	3.00	IS2	92.80
SCE-12PB	11.75	8.50	3.00	IS2	104.08

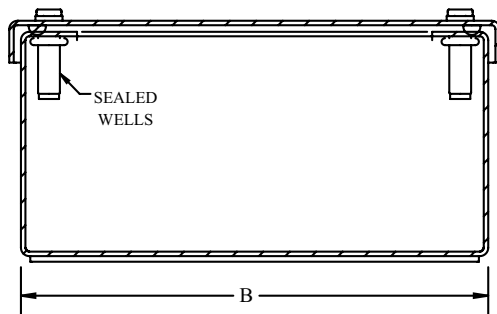
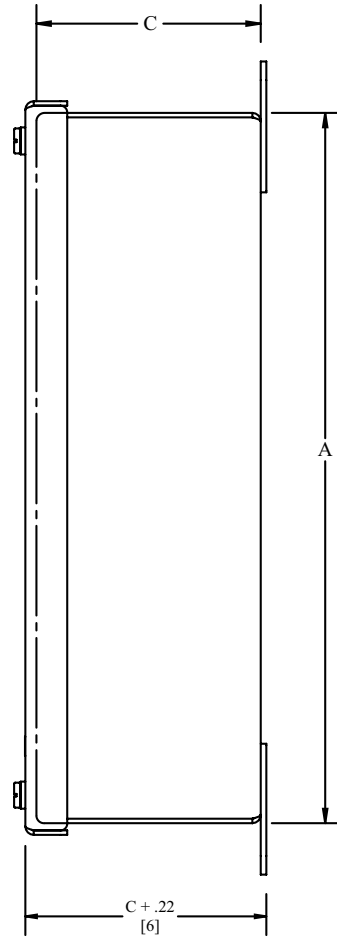
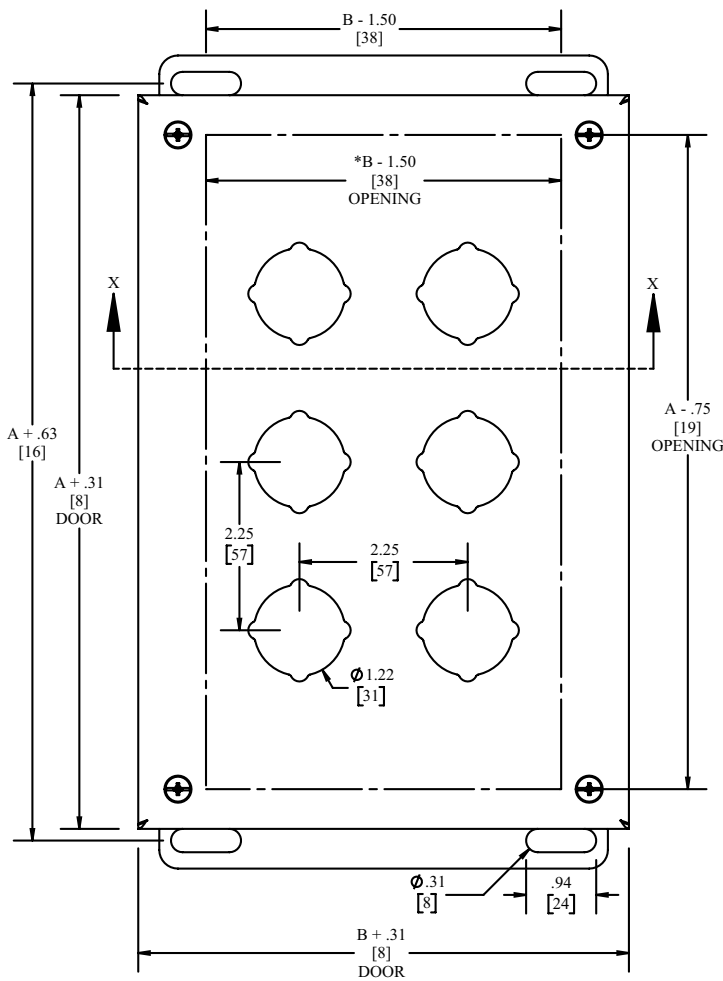


Phone (989) 799-6871
 Fax (989) 799-4524



1 Operator System Enclosures
 2 Wall-Mount Enclosures
 3 Free-Standing & Floor-Mounted Enclosures
 4 Modular Enclosures
 5 Operator System Enclosures (Stainless Steel)
 6 Wall-Mount Enclosures (Stainless Steel)
 7 Free-Standing & Floor-Mounted Enclosures (Stainless Steel)
 8 Non-Metallic Enclosures
 9 Accessories
 10 Technical Information
 11 Index

30.5 mm PUSHBUTTON ENCLOSURES TECHNICAL DATA



SECTION X-X

NOTE:
*B - .50 [13] WHEN ONE COLUMN OF PUSHBUTTONS

22.5 mm Pushbutton Enclosures

Application -

Designed to offer protection for oil-tight pushbuttons, switches, and pilot lights from dust, water, dirt and oil. For installation information, consult our Installation Manual at www.saginawcontrol.com.

Construction -

- 0.063" carbon steel.
- Continuously welded seams.
- Captivated cover screws thread into sealed wells.
- 4-way pushbutton holes accept all brands of oil-tight pushbuttons, switches and pilot lights. Hole diameter is 0.87" (22.5 mm).
- Immediate removal of cover is permitted.
- Oil-resistant gasket.
- Welded mounting provision top and bottom of back.

Finish -

ANSI-61 gray powder coated inside and out.

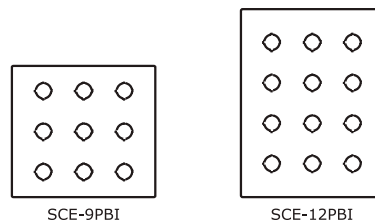
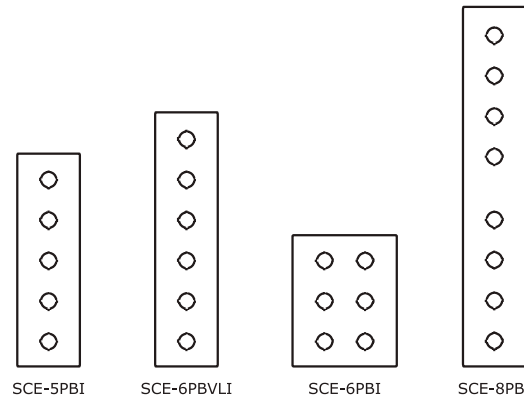
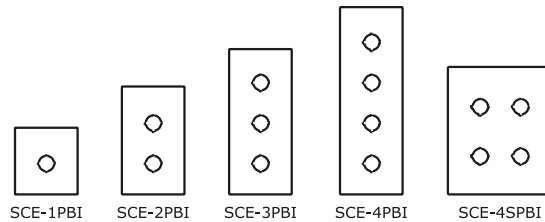
IS2 - Industry Standards -

NEMA Type 4, 12 & Type 23
 UL Listed Type 4 & 12
 CSA Type 4 & 12
 IEC 60529 IP66



22.5 mm PUSHBUTTON ENCLOSURES

ENCLOSURE PRODUCT CODE A1					
Catalog No.	Height (A)	Width (B)	Depth (C)	Industry Standard	List Price
SCE-1PBI	3.50	3.25	2.75	IS2	43.90
SCE-2PBI	5.75	3.25	2.75	IS2	50.17
SCE-3PBI	8.00	3.25	2.75	IS2	56.43
SCE-4PBI	10.25	3.25	2.75	IS2	62.70
SCE-4SPBI	7.25	6.25	3.00	IS2	70.23
SCE-5PBI	12.50	3.25	2.75	IS2	68.98
SCE-6PBI	9.50	6.25	3.00	IS2	80.26
SCE-6PBVLI	14.75	3.25	2.75	IS2	75.24
SCE-8PBI	20.25	3.25	2.75	IS2	90.29
SCE-9PBI	9.50	8.50	3.00	IS2	92.80
SCE-12PBI	11.75	8.50	3.00	IS2	104.08

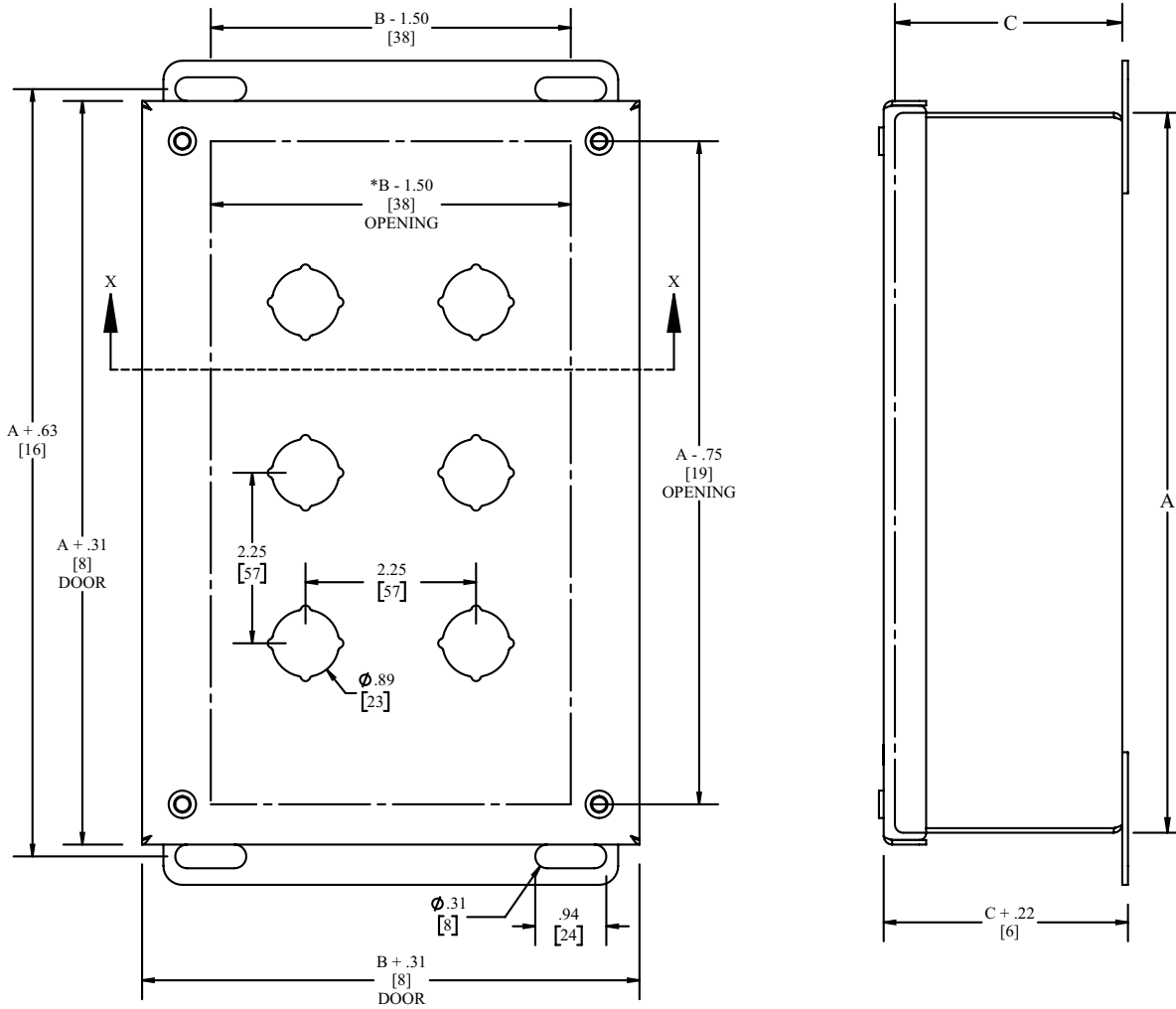


Phone (989) 799-6871
 Fax (989) 799-4524



1 Operator System Enclosures
 2 Wall-Mount Enclosures
 3 Free-Standing & Floor-Mounted Enclosures
 4 Modular Enclosures
 5 Operator System Enclosures (Stainless Steel)
 6 Wall-Mount Enclosures (Stainless Steel)
 7 Free-Standing & Floor-Mounted Enclosures (Stainless Steel)
 8 Non-Metallic Enclosures
 9 Accessories
 10 Technical Information
 11 Index

22.5 mm PUSHBUTTON ENCLOSURES TECHNICAL DATA



NOTE:
*B - .50 [13] WHEN ONE COLUMN OF PUSHBUTTONS

Extra Deep 30.5 mm Pushbutton Enclosures

Application -

Designed to offer protection for oil-tight pushbuttons, switches, and pilot lights from dust, water, dirt and oil. For installation information, consult our Installation Manual at www.saginawcontrol.com.

Construction -

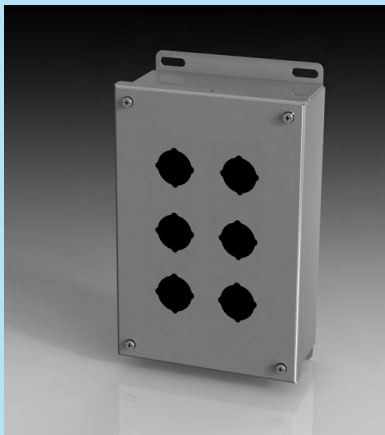
- 0.063" carbon steel.
- Continuously welded seams.
- Captivated cover screws thread into sealed wells.
- 4-way pushbutton holes accept all brands of oil-tight pushbuttons, switches and pilot lights. Hole diameter is 1.20" (30.5 mm).
- Immediate removal of cover is permitted.
- Oil-resistant gasket.
- Welded mounting provision top and bottom of back.

Finish -

ANSI-61 gray powder coated inside and out.

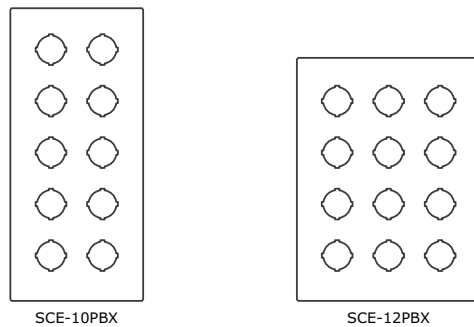
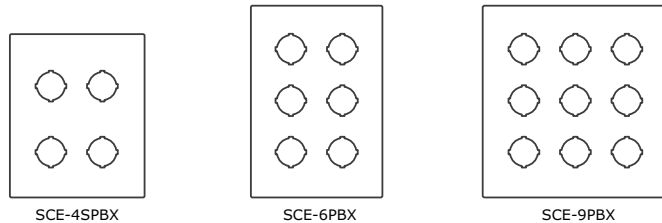
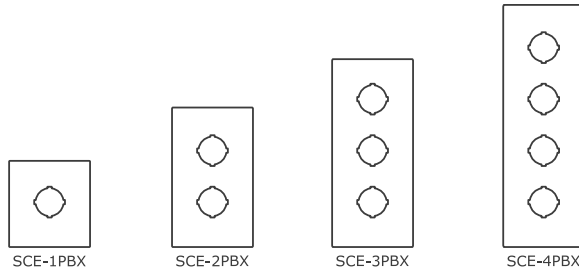
IS2 - Industry Standards -

NEMA Type 4, 12 & Type 13
 UL Listed Type 4 & 12
 CSA Type 4 & 12
 IEC 60529 IP66



EXTRA DEEP 30.5 mm PUSHBUTTON ENCLOSURES

ENCLOSURES PRODUCT CODE A1					
Catalog No.	Height (A)	Width (B)	Depth (C)	Industry Standard	List Price
SCE-1PBX	4.00	4.00	4.75	IS2	56.43
SCE-2PBX	6.00	4.00	4.75	IS2	65.22
SCE-3PBX	8.00	4.00	4.75	IS2	73.99
SCE-4PBX	10.00	4.00	4.75	IS2	81.51
SCE-4SPBX	7.25	6.25	4.75	IS2	82.76
SCE-6PBX	9.50	6.25	4.75	IS2	95.31
SCE-9PBX	9.50	8.50	4.75	IS2	107.85
SCE-10PBX	14.00	6.25	4.75	IS2	117.88
SCE-12PBX	11.75	8.50	4.75	IS2	124.15



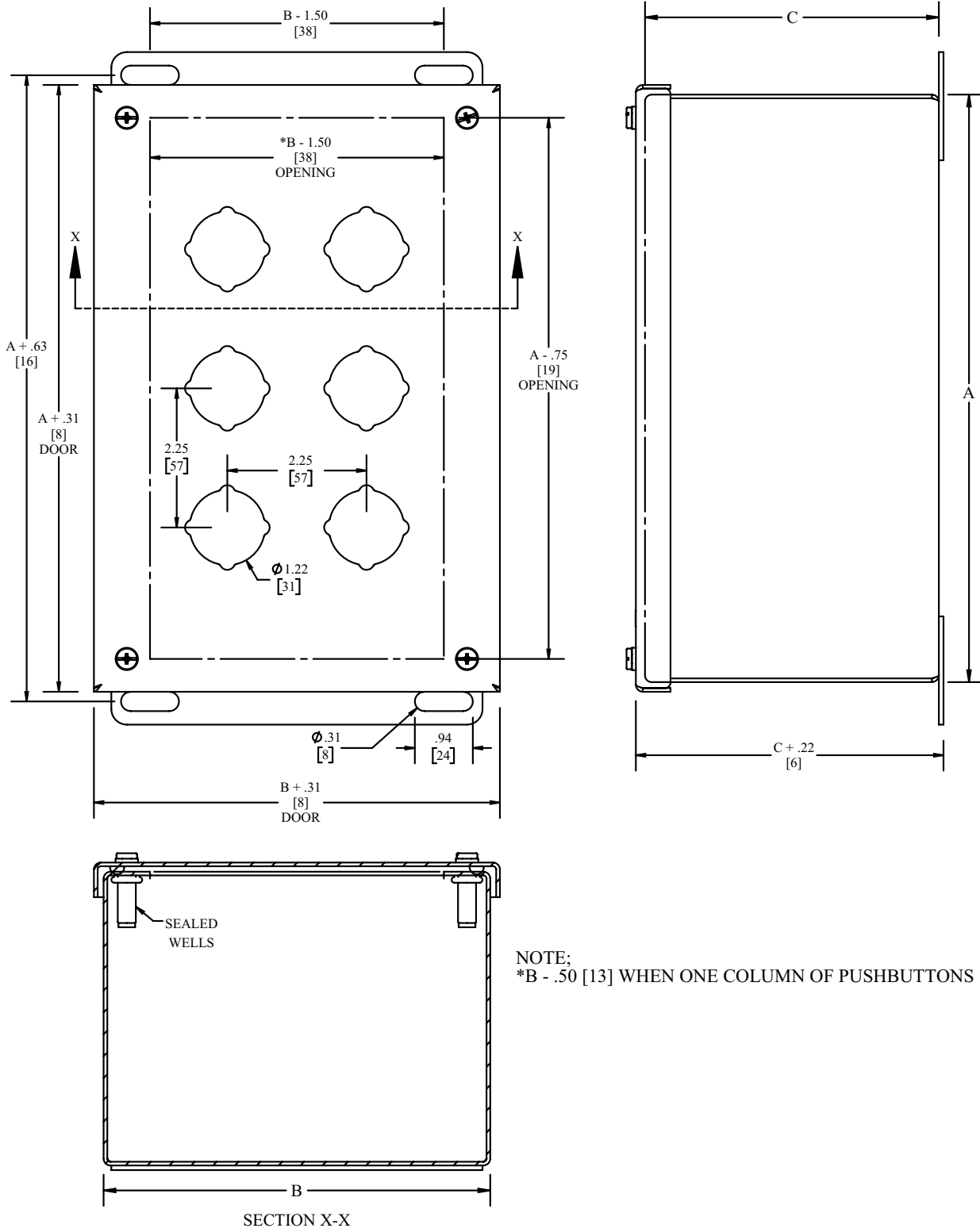
Phone (989) 799-6871
 Fax (989) 799-4524



1 Operator System Enclosures
 2 Wall-Mount Enclosures
 3 Free-Standing & Floor-Mounted Enclosures
 4 Modular Enclosures
 5 Operator System Enclosures (Stainless Steel)
 6 Wall-Mount Enclosures (Stainless Steel)
 7 Free-Standing & Floor-Mounted Enclosures (Stainless Steel)
 8 Non-Metallic Enclosures
 9 Accessories
 10 Technical Information
 11 Index

EXTRA DEEP 30.5 mm PUSHBUTTON ENCLOSURES

TECHNICAL DATA



NOTE;
*B - .50 [13] WHEN ONE COLUMN OF PUSHBUTTONS

Extra Deep 22.5 mm Pushbutton Enclosures

Application -

Designed to offer protection for oil-tight pushbuttons, switches, and pilot lights from dust, water, dirt and oil. For installation information, consult our Installation Manual at www.saginawcontrol.com.

Construction -

- 0.063" carbon steel.
- Continuously welded seams.
- Captivated cover screws thread into sealed wells.
- 4-way pushbutton holes accept all brands of oil-tight pushbuttons, switches and pilot lights. Hole diameter is 0.87" (22.5 mm).
- Immediate removal of cover is permitted.
- Oil-resistant gasket.
- Welded mounting provision top and bottom of back.

Finish -

ANSI-61 gray powder coated inside and out.

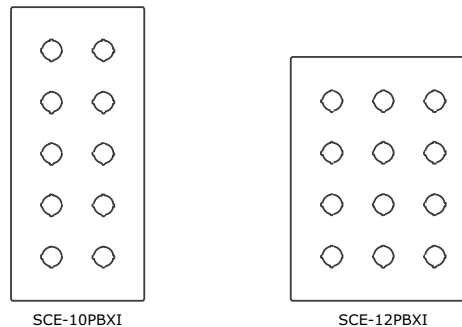
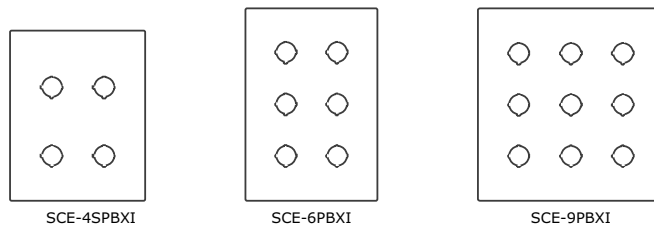
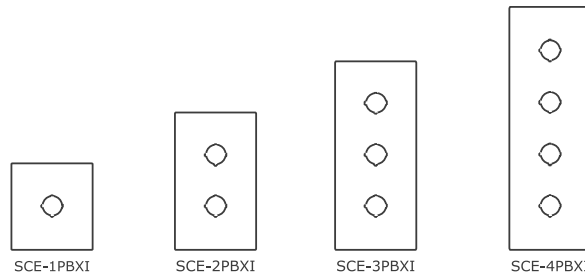
IS2 - Industry Standards -

NEMA Type 4, 12 & Type 23
 UL Listed Type 4 & 12
 CSA Type 4 & 12
 IEC 60529 IP66



EXTRA DEEP 22.5 mm PUSHBUTTON ENCLOSURES

ENCLOSURE PRODUCT CODE A1					
Catalog No.	Height (A)	Width (B)	Depth (C)	Industry Standard	List Price
SCE-1PBXI	4.00	4.00	4.75	IS2	56.43
SCE-2PBXI	6.00	4.00	4.75	IS2	65.22
SCE-3PBXI	8.00	4.00	4.75	IS2	73.99
SCE-4PBXI	10.00	4.00	4.75	IS2	81.51
SCE-4SPBXI	7.25	6.25	4.75	IS2	82.76
SCE-6PBXI	9.50	6.25	4.75	IS2	95.31
SCE-9PBXI	9.50	8.50	4.75	IS2	107.85
SCE-10PBXI	14.00	6.25	4.75	IS2	117.88
SCE-12PBXI	11.75	8.50	4.75	IS2	124.15



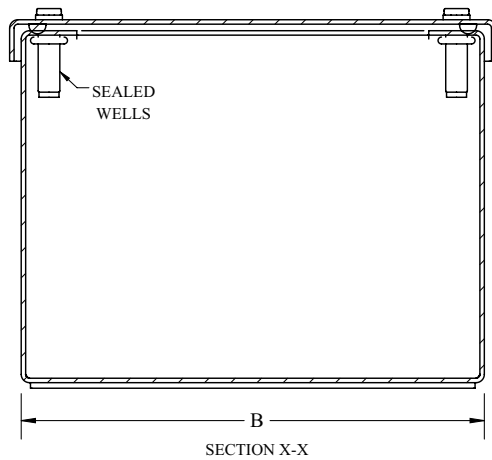
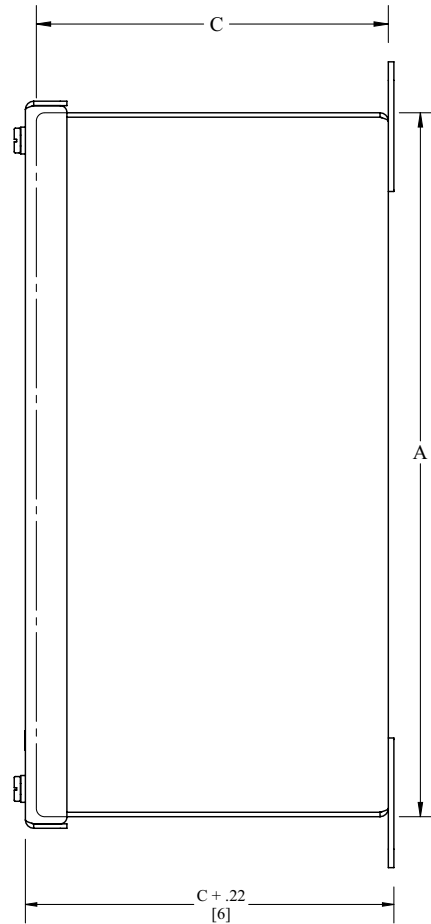
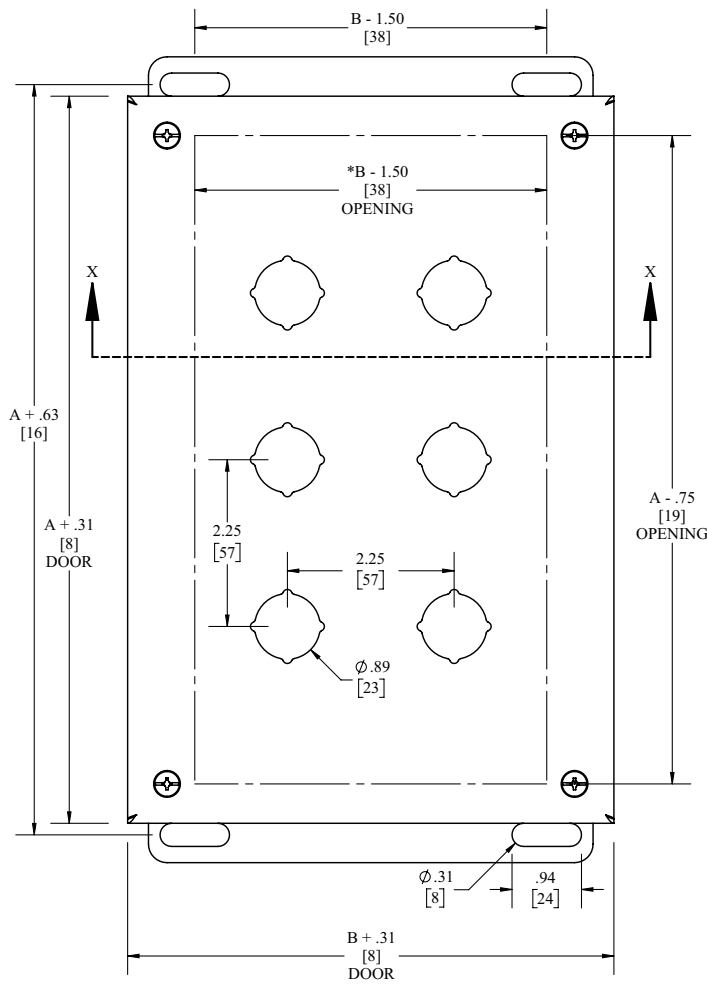
Phone (989) 799-6871
 Fax (989) 799-4524



1 Operator System Enclosures
 2 Wall-Mount Enclosures
 3 Free-Standing & Floor-Mounted Enclosures
 4 Modular Enclosures
 5 Operator System Enclosures (Stainless Steel)
 6 Wall-Mount Enclosures (Stainless Steel)
 7 Free-Standing & Floor-Mounted Enclosures (Stainless Steel)
 8 Non-Metallic Enclosures
 9 Accessories
 10 Technical Information
 11 Index

EXTRA DEEP 22.5 mm PUSHBUTTON ENCLOSURES

TECHNICAL DATA



NOTE:
*B - .50 [13] WHEN ONE COLUMN OF PUSHBUTTONS

Pushbutton Enclosures for 22.5 mm Pushbuttons

Application -

Designed to offer protection for miniature oil-tight pushbuttons, switches, and pilot lights from dust, water, dirt and oil. For installation information, consult our Installation Manual at www.saginawcontrol.com.

Construction -

- 0.063" carbon steel.
- Continuously welded seams.
- Captivated cover screws thread into sealed wells.
- 4-way miniature pushbutton holes accept all brands of oil-tight pushbuttons, switches and pilot lights. Hole diameter is 0.87" (22.5 mm).
- Immediate removal of cover is permitted.
- Oil-resistant gasket.
- Welded mounting provision top and bottom of back.

Finish -

ANSI-61 gray powder coated inside and out.

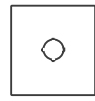
IS2 - Industry Standards -

NEMA Type 4, 12 & Type 13
UL Listed Type 4 & 12
CSA Type 4 & 12
IEC 60529 IP66



PUSHBUTTON ENCLOSURES FOR 22.5 mm PUSHBUTTONS

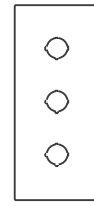
ENCLOSURE PRODUCT CODE A1					
Catalog No.	Height (A)	Width (B)	Depth (C)	Industry Standard	List Price
SCE-1PBGX	3.25	3.25	3.50	IS2	50.17
SCE-2PBGX	5.13	3.25	3.50	IS2	55.18
SCE-3PBGX	7.00	3.25	3.50	IS2	61.45
SCE-4PBGX	8.88	3.25	3.50	IS2	67.71
SCE-6PBGX	8.50	6.00	4.25	IS2	86.52
SCE-9PBGX	8.50	6.50	4.25	IS2	95.31
SCE-12PBGX	10.38	6.25	4.25	IS2	106.60



SCE-1PBGX



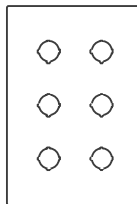
SCE-2PBGX



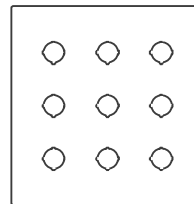
SCE-3PBGX



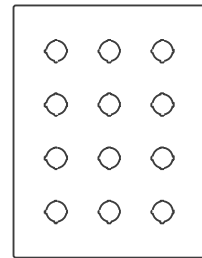
SCE-4PBGX



SCE-6PBGX



SCE-9PBGX



SCE-12PBGX

Phone (989) 799-6871
Fax (989) 799-4524



Extra Large 30.5 mm Hinged Pushbutton Enclosures

Application -

Designed to offer protection for oil-tight pushbuttons, switches, and pilot lights from dust, water, dirt and oil. For installation information, consult our Installation Manual at www.saginawcontrol.com.

Construction -

- 0.063" carbon steel.
- Continuously welded seams.
- Captivated cover screws thread into sealed wells.
- 4-way pushbutton holes accept all brands of oil-tight pushbuttons, switches and pilot lights. Hole diameter is 1.20" (30.5 mm).
- Oil-resistant gasket.
- Provisions for sub-panel.
- Ground stud on door and body.
- Bolt-on continuous hinge with stainless steel hinge pin.
- Welded mounting provision top and bottom of back.

Finish -

ANSI-61 gray powder coated inside and out. Optional sub-panels powder coated white.

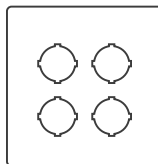
IS2 - Industry Standards -

NEMA Type 4, 12 & Type 13
 UL Listed Type 4 & 12
 CSA Type 4 & 12
 IEC 60529 IP66

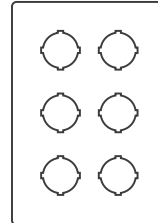


EXTRA LARGE 30.5 mm HINGED PUSHBUTTON ENCLOSURES

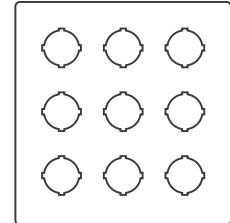
ENCLOSURE PRODUCT CODE A1						SUB-PANEL (P3)			
Catalog No.	Height (A)	Width (B)	Depth (C)	Industry Standard	List Price	Catalog No.	Panel Height (D)	Panel Width (E)	List Price
SCE-4SPBH	8.13	8.00	6.00	IS2	107.08	SCE-8P8	7.00	7.00	4.89
SCE-6PBH	10.13	8.00	6.00	IS2	122.63	SCE-10P8	9.00	7.00	5.70
SCE-9PBH	10.13	10.00	6.00	IS2	142.99	SCE-10P10	9.00	9.00	6.73
SCE-12PBH	12.13	10.00	6.00	IS2	162.14	SCE-12P10	11.00	9.00	7.72
SCE-16PBH	12.13	12.00	6.00	IS2	184.70	SCE-12P12	11.00	11.00	9.08



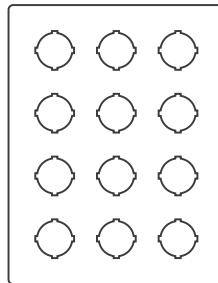
SCE-4SPBH



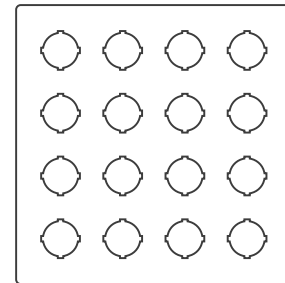
SCE-6PBH



SCE-9PBH



SCE-12PBH



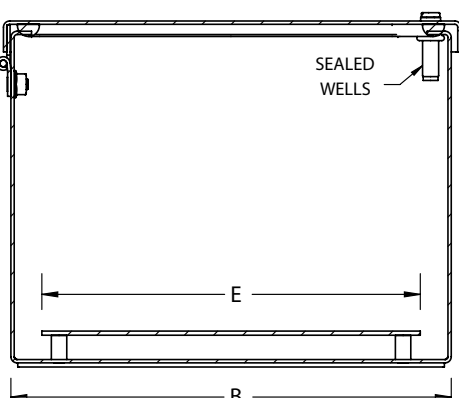
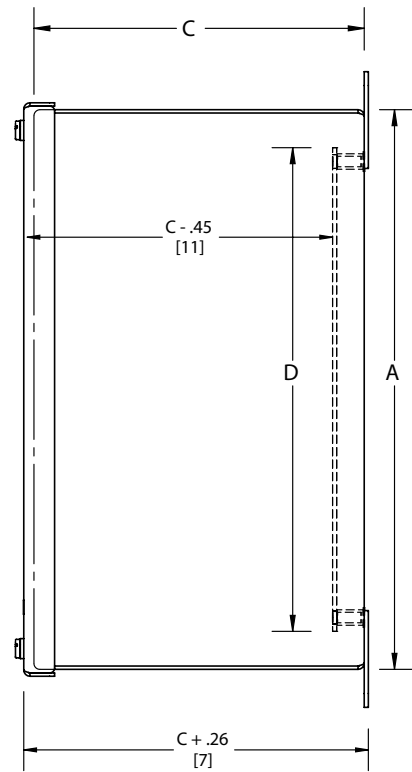
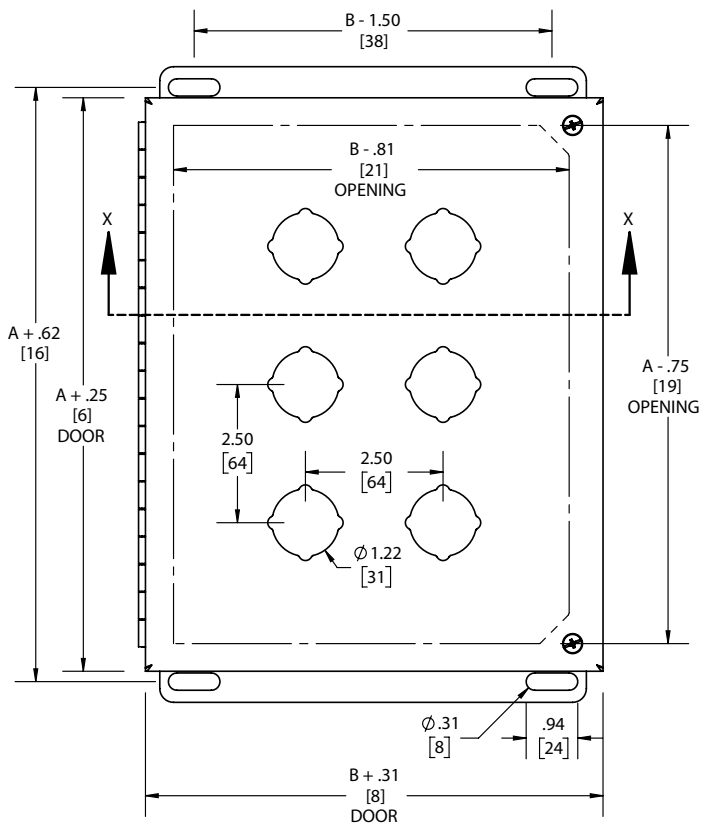
SCE-16PBH

Phone (989) 799-6871
 Fax (989) 799-4524



1 Operator System Enclosures
 2 Wall-Mount Enclosures
 3 Free-Standing & Floor-Mounted Enclosures
 4 Modular Enclosures
 5 Operator System Enclosures (Stainless Steel)
 6 Wall-Mount Enclosures (Stainless Steel)
 7 Free-Standing & Floor-Mounted Enclosures (Stainless Steel)
 8 Non-Metallic Enclosures
 9 Accessories
 10 Technical Information
 11 Index

EXTRA LARGE 30.5 mm HINGED PUSHBUTTON ENCLOSURES TECHNICAL DATA



Extra Large 22.5 mm Hinged Pushbutton Enclosures

Application -

Designed to offer protection for oil-tight pushbuttons, switches, and pilot lights from dust, water, dirt and oil. For installation information, consult our Installation Manual at www.saginawcontrol.com.

Construction -

- 0.063" carbon steel.
- Continuously welded seams.
- Captivated cover screws thread into sealed wells.
- 4-way pushbutton holes accept all brands of oil-tight pushbuttons, switches and pilot lights. Hole diameter is 0.87" (22.5 mm).
- Oil-resistant gasket.
- Provisions for sub-panel.
- Ground stud on door and body.
- Bolt-on continuous hinge with stainless steel hinge pin.
- Welded mounting provision top and bottom of back.

Finish -

ANSI-61 gray powder coated inside and out. Optional sub-panels powder coated white.

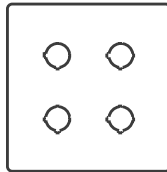
IS2 - Industry Standards -

NEMA Type 4, 12 & Type 13
 UL Listed Type 4 & 12
 CSA Type 4 & 12
 IEC 60529 IP66

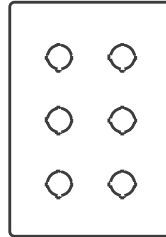


EXTRA LARGE 22.5 mm HINGED PUSHBUTTON ENCLOSURES

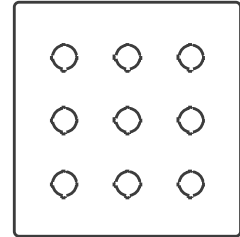
ENCLOSURE PRODUCT CODE A1						SUB-PANEL (P3)			
Catalog No.	Height (A)	Width (B)	Depth (C)	Industry Standard	List Price	Catalog No.	Panel Height (D)	Panel Width (E)	List Price
SCE-4SPBHI	8.13	8.00	6.00	IS2	107.08	SCE-8P8	7.00	7.00	4.89
SCE-6PBHI	10.13	8.00	6.00	IS2	122.63	SCE-10P8	9.00	7.00	5.70
SCE-9PBHI	10.13	10.00	6.00	IS2	142.99	SCE-10P10	9.00	9.00	6.73
SCE-12PBHI	12.13	10.00	6.00	IS2	162.14	SCE-12P10	11.00	9.00	7.72
SCE-16PBHI	12.13	12.00	6.00	IS2	184.70	SCE-12P12	11.00	11.00	9.08



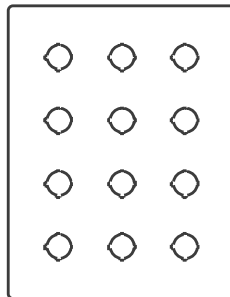
SCE-4SPBHI



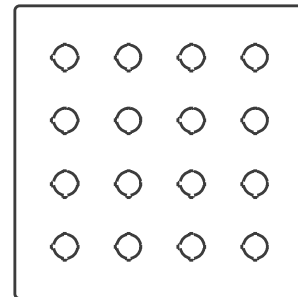
SCE-6PBHI



SCE-9PBHI



SCE-12PBHI



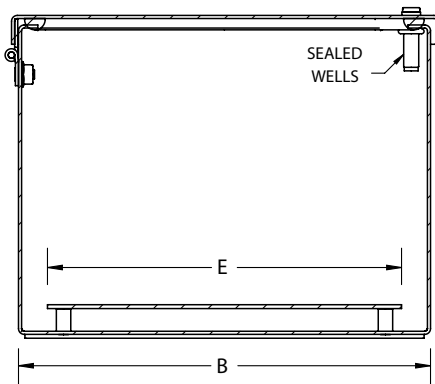
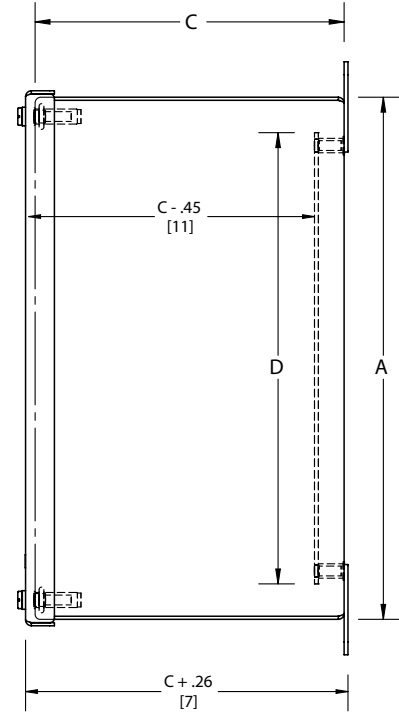
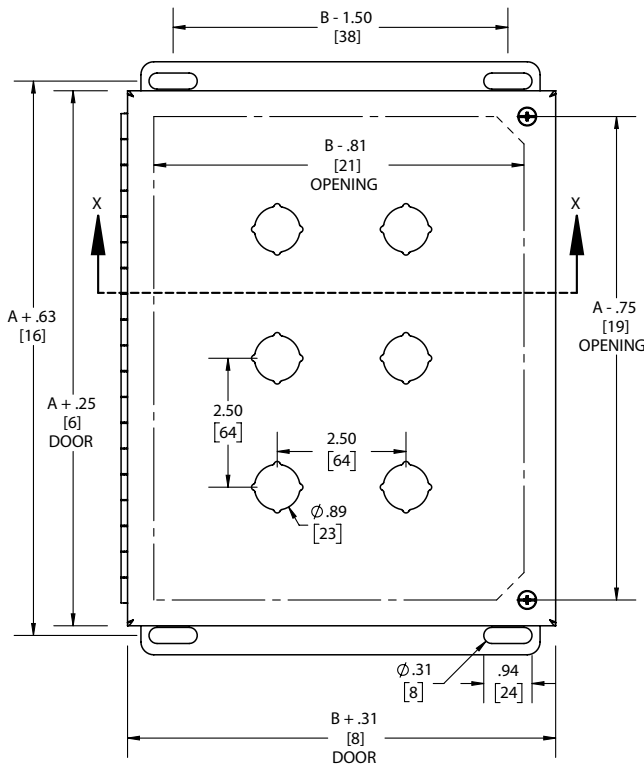
SCE-16PBHI

Phone (989) 799-6871
 Fax (989) 799-4524



1 Operator System Enclosures
 2 Wall-Mount Enclosures
 3 Free-Standing & Floor-Mounted Enclosures
 4 Modular Enclosures
 5 Operator System Enclosures (Stainless Steel)
 6 Wall-Mount Enclosures (Stainless Steel)
 7 Free-Standing & Floor-Mounted Enclosures (Stainless Steel)
 8 Non-Metallic Enclosures
 9 Accessories
 10 Technical Information
 11 Index

EXTRA LARGE 22.5 mm HINGED PUSHBUTTON ENCLOSURES TECHNICAL DATA



SECTION X-X

Sloping Front 30.5 mm Pushbutton Enclosures

Application -

Designed to offer protection for all standard brands of oil-tight pushbuttons, switches, and pilot lights where slanted surfaces are desired. It offers protection from dust, dirt, oil and water. For installation information, consult our Installation Manual at www.saginawcontrol.com.

Construction -

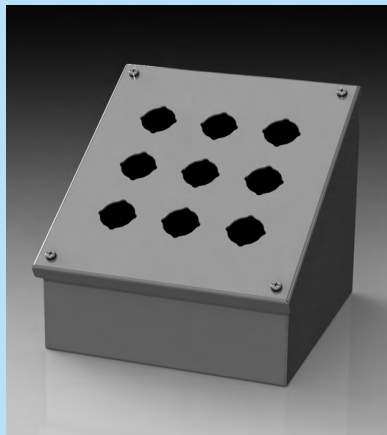
- 0.063" carbon steel.
- Continuously welded seams.
- Captivated cover screws thread into sealed wells.
- 4-way standard pushbutton holes accept all brands of oil-tight pushbuttons, switches, and pilot lights. Hole diameter is 1.20" (30.5 mm).
- Immediate removal of cover is permitted.
- Oil-resistant door gasket.
- Mounting feet included.
- Provisions for sub-panel.

Finish -

ANSI-61 Gray powder coat inside and out. Optional sub-panels powder coated white.

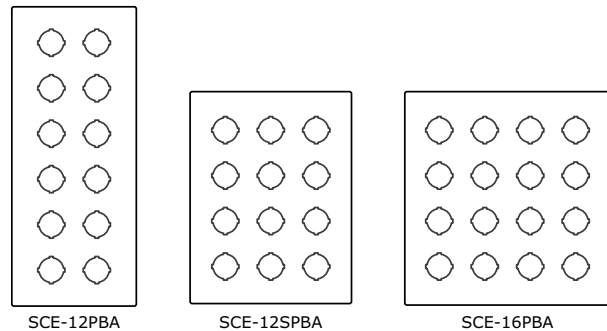
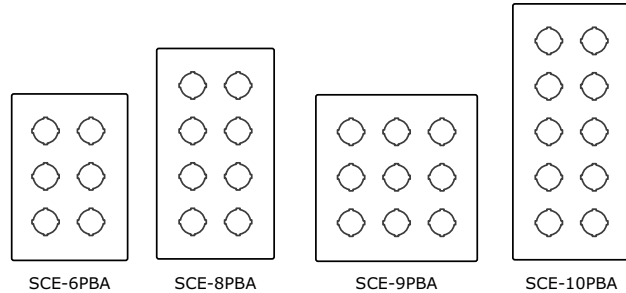
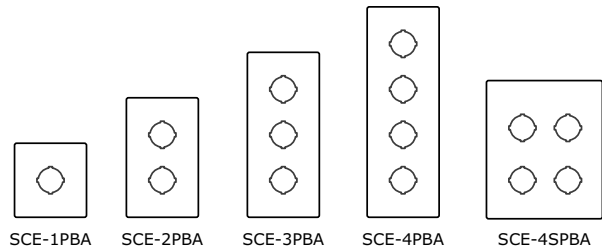
IS2 - Industry Standards -

- NEMA Type 4, 12 & Type 13
- UL Listed Type 4 & 12
- CSA Type 4 & 12
- IEC 60529 IP66



SLOPING FRONT 30.5 mm PUSHBUTTON ENCLOSURES

ENCLOSURE PRODUCT CODE A1							SUB-PANEL (P3)			
Catalog No.	Height (A)	Width (B)	Depth (C)	ref. Depth (D)	Industry Standard	List Price	Catalog No.	Panel Height (D)	Panel Width (E)	List Price
SCE-1PBA	3.50	3.25	4.87	3.53	IS2	65.22	No Panel			
SCE-2PBA	3.50	5.50	4.87	3.53	IS2	75.24	No Panel			
SCE-3PBA	3.50	7.75	4.87	3.53	IS2	85.28	No Panel			
SCE-4PBA	3.50	10.00	4.87	3.53	IS2	96.56	No Panel			
SCE-4SPBA	7.25	6.25	6.75	6.78	IS2	107.85	SCE-6P6	5.00	5.00	3.61
SCE-6PBA	7.25	8.50	6.75	6.78	IS2	125.41	SCE-8P6	7.00	5.00	4.17
SCE-8PBA	7.25	10.75	6.75	6.78	IS2	141.70	SCE-10P6	9.00	5.00	4.89
SCE-9PBA	9.50	8.50	7.88	8.73	IS2	147.97	SCE-8P8	7.00	7.00	4.89
SCE-10PBA	7.25	13.00	6.75	6.78	IS2	158.02	SCE-12P6	11.00	5.00	5.35
SCE-12PBA	7.25	15.25	6.75	6.78	IS2	171.82	SCE-14P6	13.00	5.00	5.98
SCE-12SPBA	11.75	8.50	9.00	10.69	IS2	164.28	SCE-10P8	9.00	7.00	5.70
SCE-16PBA	11.75	10.75	9.00	10.69	IS2	183.10	SCE-10P10	9.00	9.00	6.73



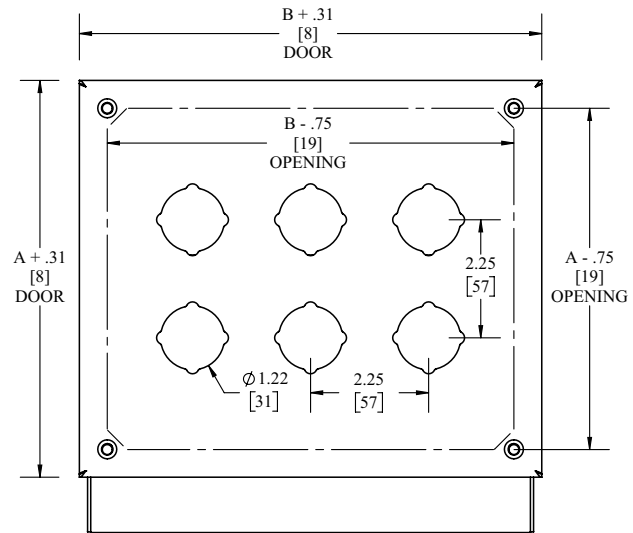
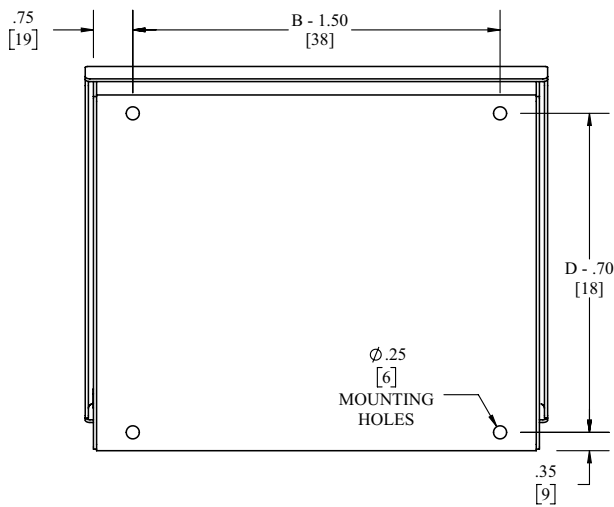
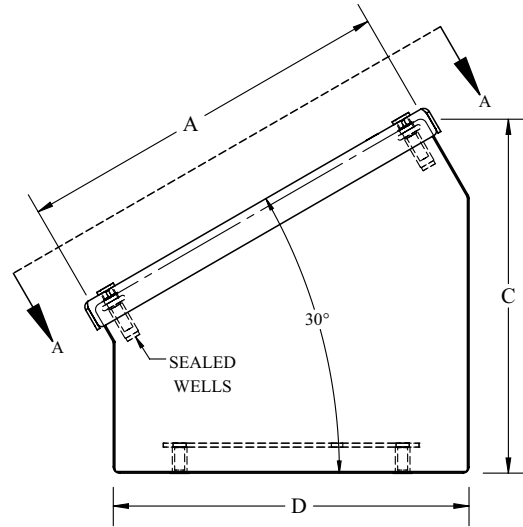
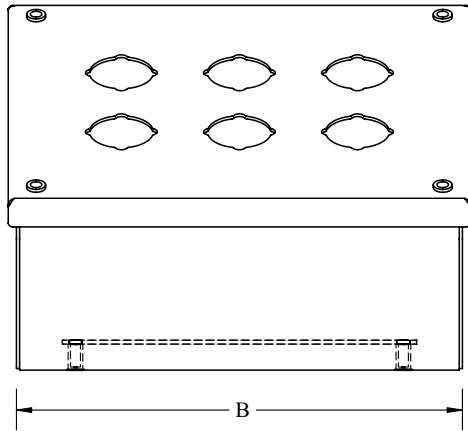
Phone (989) 799-6871
Fax (989) 799-4524



1 Operator System Enclosures
 2 Wall-Mount Enclosures
 3 Free-Standing & Floor-Mounted Enclosures
 4 Modular Enclosures
 5 Operator System Enclosures (Stainless Steel)
 6 Wall-Mount Enclosures (Stainless Steel)
 7 Free-Standing & Floor-Mounted Enclosures (Stainless Steel)
 8 Non-Metallic Enclosures
 9 Accessories
 10 Technical Information
 11 Index

SLOPING FRONT 30.5 mm PUSHBUTTON ENCLOSURES

TECHNICAL DATA



VIEW A-A

Sloping Front 22.5 mm Pushbutton Enclosures

Application -

Designed to offer protection for all standard brands of oil-tight pushbuttons, switches, and pilot lights where slanted surfaces are desired. It offers protection from dust, dirt, oil and water. For installation information, consult our Installation Manual at www.saginawcontrol.com.

Construction -

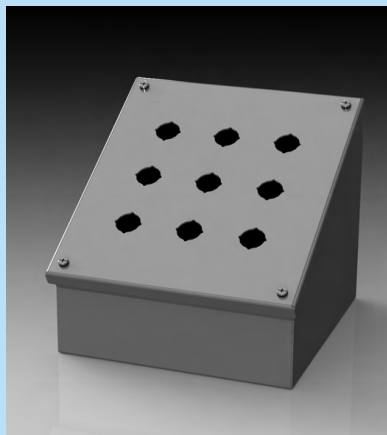
- 0.063" carbon steel.
- Continuously welded seams.
- Captivated cover screws thread into sealed wells.
- 4-way standard pushbutton holes accept all brands of oil-tight pushbuttons, switches, and pilot lights. Hole diameter is 0.87" (22.5 mm).
- Immediate removal of cover is permitted.
- Oil-resistant door gasket.
- Mounting feet included.
- Provisions for sub-panel.

Finish -

ANSI-61 Gray powder coat inside and out. Optional sub-panels powder coated white.

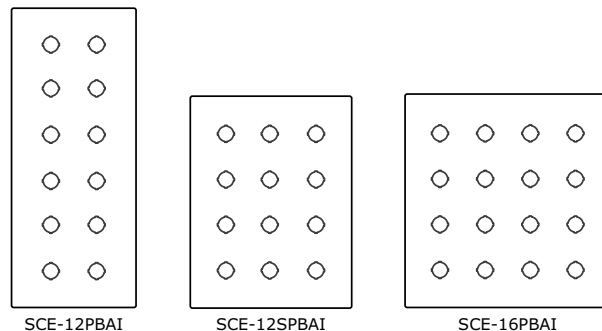
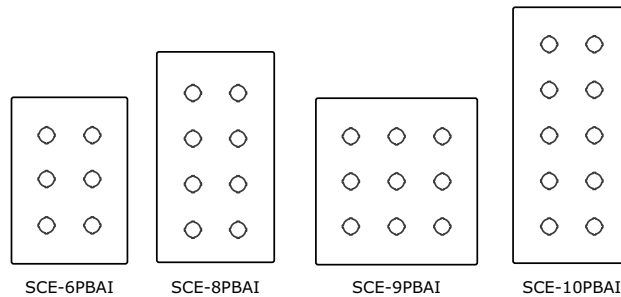
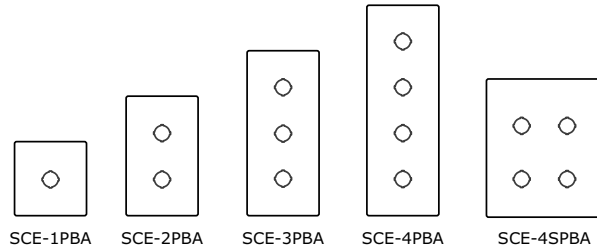
IS2 - Industry Standards -

NEMA Type 4, 12 & Type 13
 UL Listed Type 4 & 12
 CSA Type 4 & 12
 IEC 60529 IP66



SLOPING FRONT 22.5 mm PUSHBUTTON ENCLOSURES

ENCLOSURE PRODUCT CODE A1							SUB-PANEL (P3)			
Catalog No.	Height (A)	Width (B)	Depth (C)	ref. Depth (D)	Industry Standard	List Price	Catalog No.	Panel Height (D)	Panel Width (E)	List Price
SCE-1PBAI	3.50	3.25	4.87	3.53	IS2	65.22	No Panel			
SCE-2PBAI	3.50	5.50	4.87	3.53	IS2	75.24	No Panel			
SCE-3PBAI	3.50	7.75	4.87	3.53	IS2	85.28	No Panel			
SCE-4PBAI	3.50	10.00	4.87	3.53	IS2	96.56	No Panel			
SCE-4SPBAI	7.25	6.25	6.75	6.78	IS2	107.85	SCE-6P6	5.00	5.00	3.61
SCE-6PBAI	7.25	8.50	6.75	6.78	IS2	125.41	SCE-8P6	7.00	5.00	4.17
SCE-8PBAI	7.25	10.75	6.75	6.78	IS2	141.70	SCE-10P6	9.00	5.00	4.89
SCE-9PBAI	9.50	8.50	7.88	8.73	IS2	147.97	SCE-8P8	7.00	7.00	4.89
SCE-10PBAI	7.25	13.00	6.75	6.78	IS2	158.02	SCE-12P6	11.00	5.00	5.35
SCE-12PBAI	7.25	15.25	6.75	6.78	IS2	171.82	SCE-14P6	13.00	5.00	5.98
SCE-12SPBAI	11.75	8.50	9.00	10.69	IS2	164.28	SCE-10P8	9.00	7.00	5.70
SCE-16PBAI	11.75	10.75	9.00	10.69	IS2	183.10	SCE-10P10	9.00	9.00	6.73



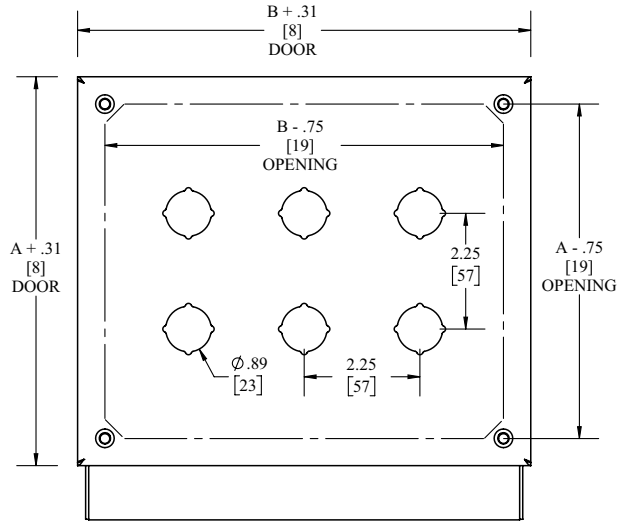
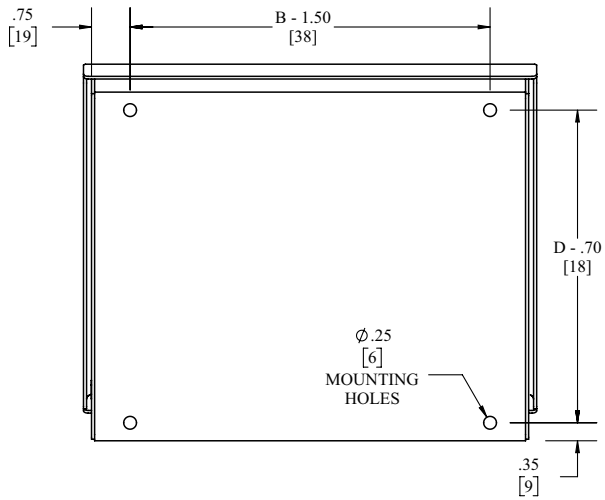
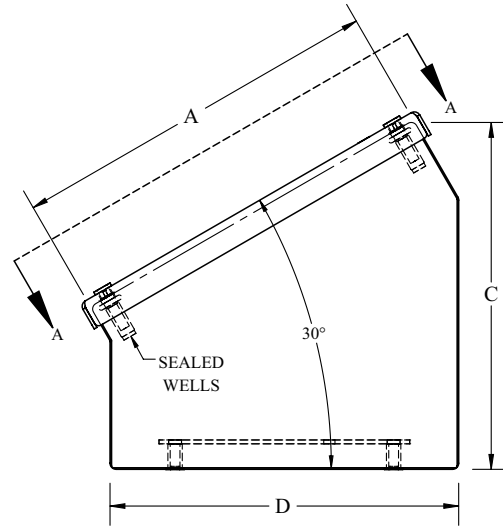
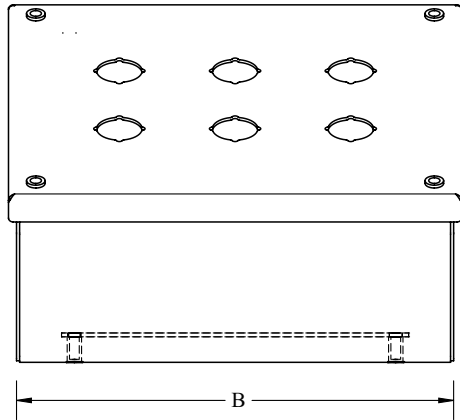
Phone (989) 799-6871
 Fax (989) 799-4524



1 Operator System Enclosures
 2 Wall-Mount Enclosures
 3 Free-Standing & Floor-Mounted Enclosures
 4 Modular Enclosures
 5 Operator System Enclosures (Stainless Steel)
 6 Wall-Mount Enclosures (Stainless Steel)
 7 Free-Standing & Floor-Mounted Enclosures (Stainless Steel)
 8 Non-Metallic Enclosures
 9 Accessories
 10 Technical Information
 11 Index

SLOPING FRONT 22.5 mm PUSHBUTTON ENCLOSURES

TECHNICAL DATA



VIEW A-A

Enviroline® Series Junction Enclosures

Application -

Designed to house electrical controls, instruments and components in areas, which may be regularly hosed down or are in very wet or oily conditions. Provides protection from dust, dirt, oil, and water. For installation information, consult our Installation Manual at www.saginawcontrol.com.

Construction -

- 0.063" carbon steel.
- Seams continuously welded and ground smooth.
- Flange trough collar around all sides of door opening.
- Oil-resistant gasket.
- Standoffs provided for mounting optional sub-panels.
- Removable hinge.
- Doors open 180 degrees.
- Black mini quarter turn latches.
- Latches are opened or closed with a screwdriver.
- Sealing washers and hole plugs included.
- Ground stud on door & body.
- Mounting feet included.

Finish -

ANSI-61 gray powder coated inside and out. Optional sub-panels powder coated white.

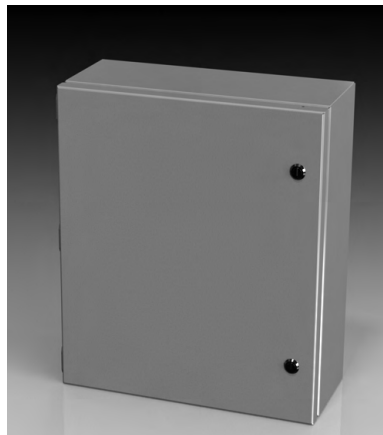
IS4 - Industry Standards -

NEMA Type 3R, 4, 12 & Type 13
UL Listed Type 3R, 4 & 12
CSA Type 3R, 4 & 12
IEC 60529 IP66

***Special Instructions apply for IS3, IS4 and IS6 to maintain the environmental rating of Type 3R for these parts. See the Special Instructions on the Industry Standards page in the Technical Information Section.

ENVIROLINE® SERIES JUNCTION ENCLOSURES

ENCLOSURE PRODUCT CODE E1						SUB-PANEL (P3)			
Catalog No.	Height (A)	Width (B)	Depth (C)	Industry Standard	List Price	Catalog No.	Panel Height (D)	Panel Width (E)	List Price
SCE-604ELJ	6.00	4.00	4.00	IS4	41.16	SCE-6P4	5.00	3.00	3.01
SCE-606ELJ	6.00	6.00	4.00	IS4	47.98	SCE-6P6	5.00	5.00	3.61
SCE-806ELJ	8.00	6.00	4.00	IS4	51.88	SCE-8P6	7.00	5.00	4.17
SCE-8066ELJ	8.00	6.00	6.00	IS4	61.48	SCE-8P6	7.00	5.00	4.17
SCE-808ELJ	8.00	8.00	4.00	IS4	63.72	SCE-8P8	7.00	7.00	4.89
SCE-8086ELJ	8.00	8.00	6.00	IS4	68.18	SCE-8P8	7.00	7.00	4.89
SCE-1008ELJ	10.00	8.00	4.00	IS4	70.76	SCE-10P8	9.00	7.00	5.70
SCE-10086ELJ	10.00	8.00	6.00	IS4	79.12	SCE-10P8	9.00	7.00	5.70
SCE-10106ELJ	10.00	10.00	6.00	IS4	83.56	SCE-10P10	9.00	9.00	6.73
SCE-1210ELJ	12.00	10.00	6.00	IS4	86.48	SCE-12P10	11.00	9.00	7.72
SCE-12108ELJ	12.00	10.00	8.00	IS4	98.72	SCE-12P10	11.00	9.00	7.72
SCE-1212ELJ	12.00	12.00	6.00	IS4	100.96	SCE-12P12	11.00	11.00	9.08
SCE-1412ELJ	14.00	12.00	6.00	IS4	111.20	SCE-14P12	13.00	11.00	10.13
SCE-14128ELJ	14.00	12.00	8.00	IS4	118.44	SCE-14P12	13.00	11.00	10.13
SCE-1614ELJ	16.00	14.00	6.00	IS4	130.82	SCE-16P14	15.00	13.00	19.95
SCE-16148ELJ	16.00	14.00	8.00	IS4	143.42	SCE-16P14	15.00	13.00	19.95
SCE-20166ELJ	20.00	16.00	6.00	IS4	151.40	SCE-20P16J	19.00	15.00	30.40
SCE-20168ELJ	20.00	16.00	8.00	IS4	157.76	SCE-20P16J	19.00	15.00	30.40
SCE-201610ELJ	20.00	16.00	10.00	IS4	185.13	SCE-20P16J	19.00	15.00	30.40
SCE-20206ELJ	20.00	20.00	6.00	IS4	168.36	SCE-20P20J	19.00	19.00	35.44
SCE-20208ELJ	20.00	20.00	8.00	IS4	178.20	SCE-20P20J	19.00	19.00	35.44
SCE-202010ELJ	20.00	20.00	10.00	IS4	187.50	SCE-20P20J	19.00	19.00	35.44

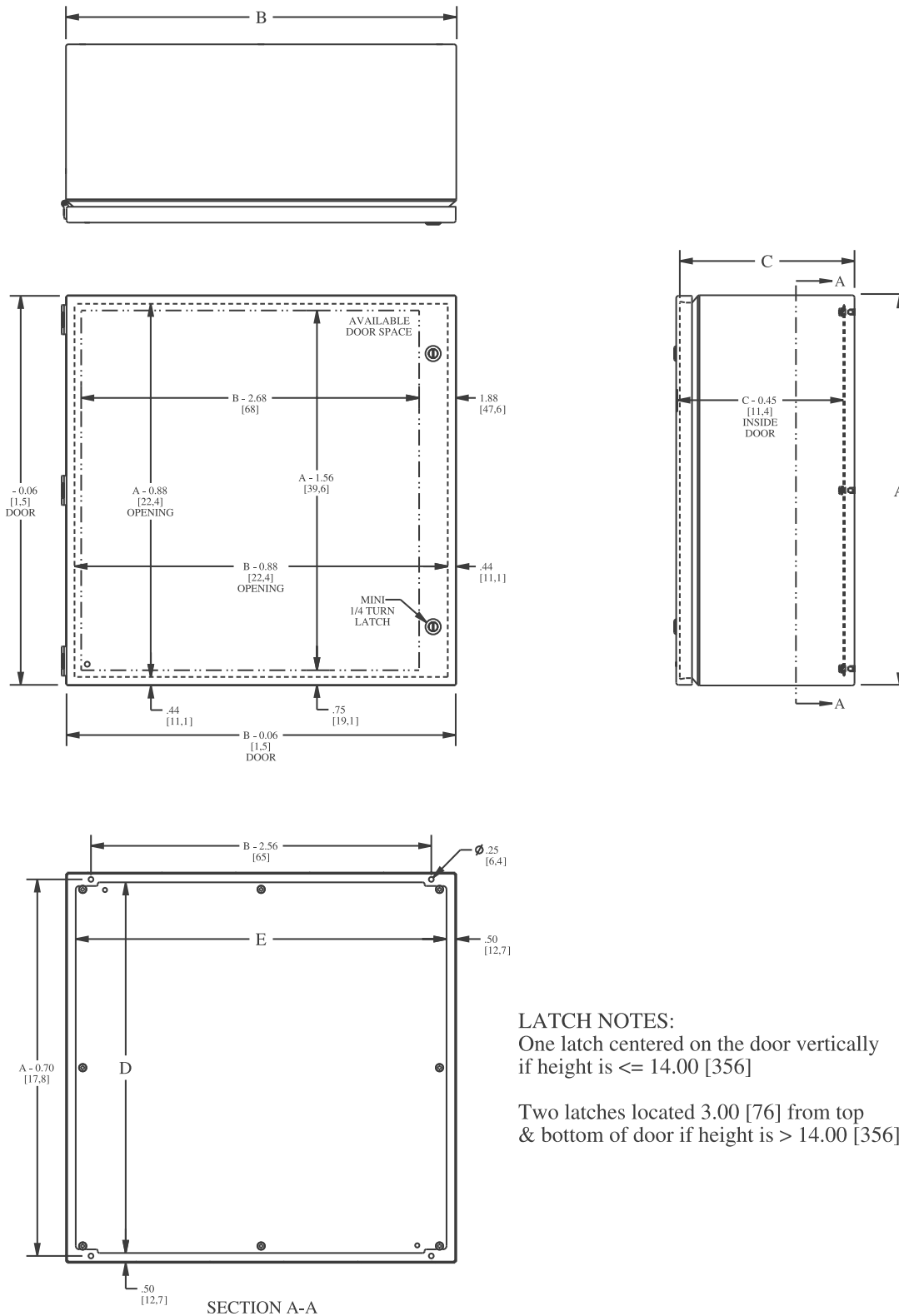


Phone (989) 799-6871
Fax (989) 799-4524



ENVIROLINE® SERIES JUNCTION ENCLOSURES

TECHNICAL DATA



LATCH NOTES:
 One latch centered on the door vertically if height is ≤ 14.00 [356]
 Two latches located 3.00 [76] from top & bottom of door if height is > 14.00 [356]

Enviroline® Series Junction Enclosures (RAL 7035)

Application -

Designed to house electrical controls, instruments and components in areas, which may be regularly hosed down or are in very wet or oily conditions. Provides protection from dust, dirt, oil, and water. For installation information, consult our Installation Manual at www.saginawcontrol.com.

Construction -

- 0.063" carbon steel.
- Seams continuously welded and ground smooth.
- Flange trough collar around all sides of door opening.
- Oil-resistant gasket.
- Standoffs provided for mounting optional sub-panels.
- Removable hinge.
- Doors open 180 degrees.
- Black mini quarter turn latches.
- Latches are opened or closed with a screwdriver.
- Sealing washers and hole plugs included.
- Ground stud on door & body.
- Mounting feet included.

Finish -

RAL 7035 gray powder coated inside and out. Optional sub-panels powder coated white.

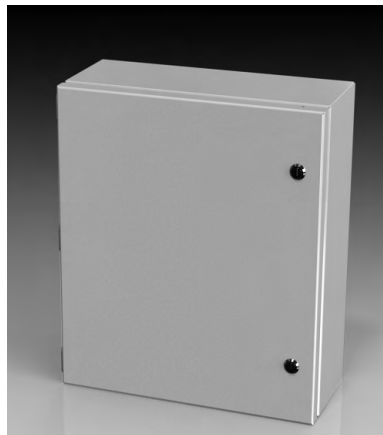
IS4 - Industry Standards -

NEMA Type 3R, 4, 12 & Type 13
UL Listed Type 3R, 4 & 12
CSA Type 3R, 4 & 12
IEC 60529 IP66

***Special Instructions apply for IS3, IS4 and IS6 to maintain the environmental rating of Type 3R for these parts. See the Special Instructions on the Industry Standards page in the Technical Information Section.

ENVIROLINE® SERIES JUNCTION ENCLOSURES - RAL 7035

ENCLOSURE PRODUCT CODE E1						SUB-PANEL (P3)			
Catalog No.	Height (A)	Width (B)	Depth (C)	Industry Standard	List Price	Catalog No.	Panel Height (D)	Panel Width (E)	List Price
SCE-604ELJLG	6.00	4.00	4.00	IS4	41.16	SCE-6P4	5.00	3.00	3.01
SCE-606ELJLG	6.00	6.00	4.00	IS4	47.98	SCE-6P6	5.00	5.00	3.61
SCE-806ELJLG	8.00	6.00	4.00	IS4	51.88	SCE-8P6	7.00	5.00	4.17
SCE-8066ELJLG	8.00	6.00	6.00	IS4	61.48	SCE-8P6	7.00	5.00	4.17
SCE-808ELJLG	8.00	8.00	4.00	IS4	63.72	SCE-8P8	7.00	7.00	4.89
SCE-8086ELJLG	8.00	8.00	6.00	IS4	68.18	SCE-8P8	7.00	7.00	4.89
SCE-1008ELJLG	10.00	8.00	4.00	IS4	70.76	SCE-10P8	9.00	7.00	5.70
SCE-10086ELJLG	10.00	8.00	6.00	IS4	79.12	SCE-10P8	9.00	7.00	5.70
SCE-10106ELJLG	10.00	10.00	6.00	IS4	83.56	SCE-10P10	9.00	9.00	6.73
SCE-1210ELJLG	12.00	10.00	6.00	IS4	86.48	SCE-12P10	11.00	9.00	7.72
SCE-12108ELJLG	12.00	10.00	8.00	IS4	98.72	SCE-12P10	11.00	9.00	7.72
SCE-1212ELJLG	12.00	12.00	6.00	IS4	100.96	SCE-12P12	11.00	11.00	9.08
SCE-1412ELJLG	14.00	12.00	6.00	IS4	111.20	SCE-14P12	13.00	11.00	10.13
SCE-14128ELJLG	14.00	12.00	8.00	IS4	118.44	SCE-14P12	13.00	11.00	10.13
SCE-1614ELJLG	16.00	14.00	6.00	IS4	130.82	SCE-16P14	15.00	13.00	19.95
SCE-16148ELJLG	16.00	14.00	8.00	IS4	143.42	SCE-16P14	15.00	13.00	19.95
SCE-20166ELJLG	20.00	16.00	6.00	IS4	151.40	SCE-20P16J	19.00	15.00	30.40
SCE-20168ELJLG	20.00	16.00	8.00	IS4	157.76	SCE-20P16J	19.00	15.00	30.40
SCE-201610ELJLG	20.00	16.00	10.00	IS4	185.13	SCE-20P16J	19.00	15.00	30.40
SCE-20206ELJLG	20.00	20.00	6.00	IS4	168.36	SCE-20P20J	19.00	19.00	35.44
SCE-20208ELJLG	20.00	20.00	8.00	IS4	178.20	SCE-20P20J	19.00	19.00	35.44
SCE-202010ELJLG	20.00	20.00	10.00	IS4	187.50	SCE-20P20J	19.00	19.00	35.44

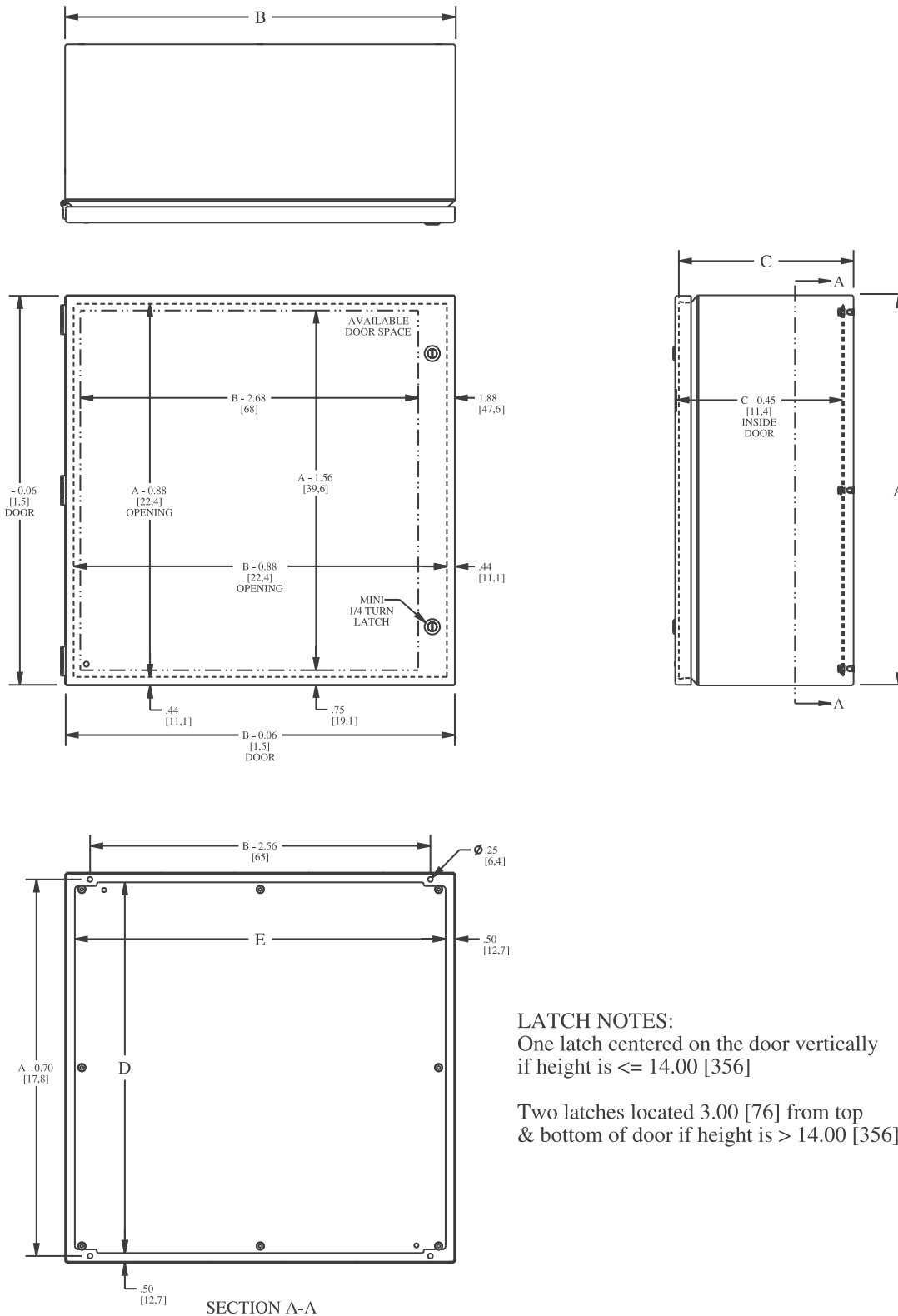


Phone (989) 799-6871
Fax (989) 799-4524



ENVIROLINE® SERIES JUNCTION ENCLOSURES - RAL 7035

TECHNICAL DATA



LATCH NOTES:
 One latch centered on the door vertically if height is ≤ 14.00 [356]
 Two latches located 3.00 [76] from top & bottom of door if height is > 14.00 [356]

Enviroline® Series Junction Enclosures with Viewing Window

Application -

Designed to house electrical controls, instruments and components that require unrestricted viewing of the gauges or controls, in areas which may be regularly hosed down or are in very wet or oily conditions. Provides protection from dust, dirt, oil, and water. For installation information, consult our Installation Manual at www.saginawcontrol.com.

Construction -

- 0.063" carbon steel.
- Seams continuously welded and ground smooth.
- Flange trough collar around all sides of door opening.
- Oil-resistant gasket.
- 0.25" polycarbonate viewing window.
- Standoffs provided for mounting optional sub-panels.
- Removable hinge.
- Doors open 180 degrees.
- Black mini quarter turn latches.
- Latches are opened or closed with a screwdriver.
- Sealing washers and hole plugs included.
- Ground stud on door & body.
- Mounting feet included.

Finish -

ANSI-61 gray powder coated inside and out. Optional sub-panels powder coated white.

Notes -

Recommend use as Type 3R rating in full outdoor exposure and extreme weather environments.

For more details see *Design Considerations When Specifying Your Enclosure* on our website.

IS4 - Industry Standards -

NEMA Type 3R, 4, 12 & Type 13
UL Listed Type 3R, 4, & 12
CSA Type 3R, 4 & 12
IEC 60529 IP66

***Special Instructions apply for IS3, IS4 and IS6 to maintain the environmental rating of Type 3R for these parts. See the Special Instructions on the Industry Standards page in the Technical Information Section.

ENVIROLINE® SERIES JUNCTION ENCLOSURES WITH VIEWING WINDOW

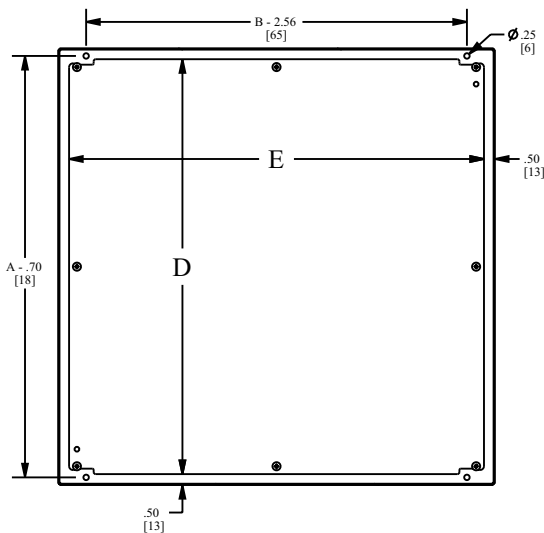
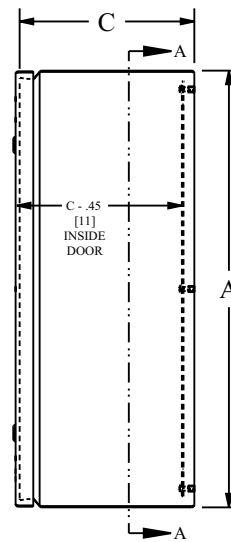
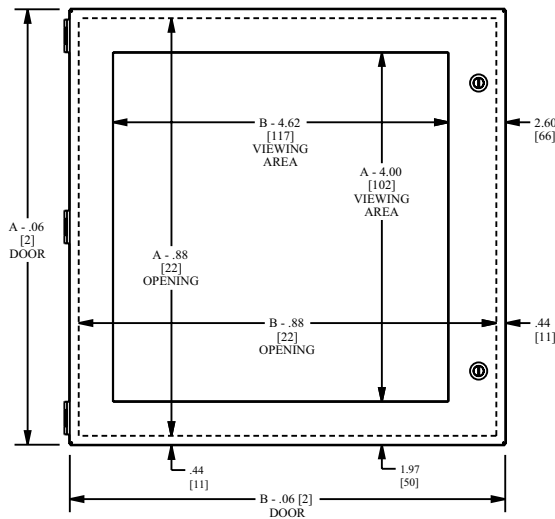
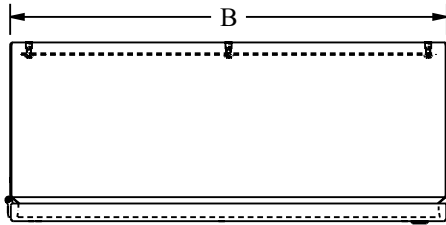
ENCLOSURE PRODUCT CODE E1							SUB-PANEL (P3)	
Catalog No.	Height (A)	Width (B)	Depth (C)	Window Viewing Size	Industry Standard	List Price	Catalog No.	List Price
SCE-1008ELJW	10.00	8.00	4.00	6.00 x 3.375	IS4	119.76	SCE-10P8	5.70
SCE-10086ELJW	10.00	8.00	6.00	6.00 x 3.375	IS4	126.12	SCE-10P8	5.70
SCE-1210ELJW	12.00	10.00	6.00	8.00 x 5.375	IS4	138.48	SCE-12P10	7.72
SCE-12108ELJW	12.00	10.00	8.00	8.00 x 5.375	IS4	150.72	SCE-12P10	7.72
SCE-1614ELJW	16.00	14.00	6.00	12.00 x 9.375	IS4	193.82	SCE-16P14	19.95
SCE-16148ELJW	16.00	14.00	8.00	12.00 x 9.375	IS4	204.42	SCE-16P14	19.95
SCE-20208ELJW	20.00	20.00	8.00	16.00 x 15.375	IS4	242.20	SCE-20P20J	35.44



Phone (989) 799-6871
Fax (989) 799-4524



ENVIROLINE® SERIES JUNCTION ENCLOSURES WITH VIEWING WINDOW TECHNICAL DATA



SECTION A-A

LATCH NOTES:
 One latch centered on the door vertically if height is ≤ 14.00 [356]
 Two latches located 3.00 [76] from top & bottom of door if height is > 14.00 [356]



Phone (989) 799-6871
 Fax (989) 799-4524

Enviroline® Series Trough Junction Enclosures

Application -

Designed to house electrical controls, instruments and components used in an indoor or outdoor environment to provide a degree of protection for the equipment inside the enclosure against ingress of solid foreign objects (falling dirt); and provide a degree of protection with respect to the harmful effects on the equipment due to the ingress of water (rain, sleet, snow). For installation information, consult our Installation Manual at www.saginawcontrol.com.

Construction -

- 0.063" carbon steel.
- Seams continuously welded and ground smooth.
- Flange trough collar around all sides of door opening.
- Oil-resistant gasket.
- Standoffs provided for mounting optional sub-panels.
- Removable hinges.
- Doors open 180 degrees.
- Black mini quarter turn latches.
- Latches are opened or closed with a screwdriver.
- Sealing washers and hole plugs included.
- Ground stud on door and body.
- Mounting feet included.
- Padlocking or keylocking latches, and tamper-resistant hardware is available.

Finish -

ANSI-61 gray powder coated inside and out.
Optional sub-panels powder coated white.

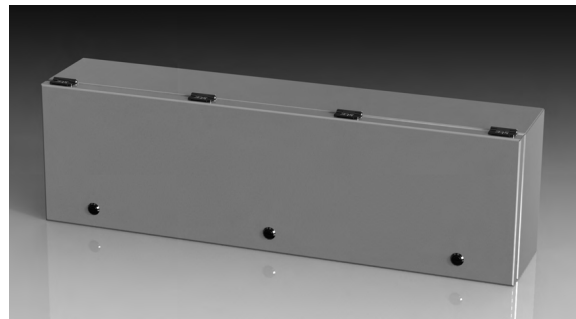
IS4 - Industry Standards -

NEMA Type 3R, 4, 12 & Type 13
UL Listed Type 3R, 4 & 12
CSA Type 3R, 4 & 12
IEC 60529 IP66

***Special Instructions apply for IS3, IS4 and IS6 to maintain the environmental rating of Type 3R for these parts. See the Special Instructions on the Industry Standards page in the Technical Information Section.

ENVIROLINE® SERIES TROUGH JUNCTION ENCLOSURES

ENCLOSURE PRODUCT CODE E1						SUB-PANEL (P3)			
Catalog No.	Height (A)	Width (B)	Depth (C)	Industry Standard	List Price	Catalog No.	Panel Height (D)	Panel Width (E)	List Price
SCE-L9126ELJ	9.00	12.00	6.00	IS4	178.78	SCE-9P12L	8.00	11.00	18.86
SCE-L9128ELJ	9.00	12.00	8.00	IS4	189.51	SCE-9P12L	8.00	11.00	18.86
SCE-L9186ELJ	9.00	18.00	6.00	IS4	180.51	SCE-9P18L	8.00	17.00	26.63
SCE-L9188ELJ	9.00	18.00	8.00	IS4	191.34	SCE-9P18L	8.00	17.00	26.63
SCE-L9246ELJ	9.00	24.00	6.00	IS4	185.82	SCE-9P24L	8.00	23.00	29.14
SCE-L9248ELJ	9.00	24.00	8.00	IS4	196.67	SCE-9P24L	8.00	23.00	29.14
SCE-L9306ELJ	9.00	30.00	6.00	IS4	187.24	SCE-9P30L	8.00	29.00	31.92
SCE-L9308ELJ	9.00	30.00	8.00	IS4	198.47	SCE-9P30L	8.00	29.00	31.92
SCE-L9366ELJ	9.00	36.00	6.00	IS4	191.12	SCE-9P36L	8.00	35.00	34.97
SCE-L9368ELJ	9.00	36.00	8.00	IS4	189.51	SCE-9P36L	8.00	35.00	34.97

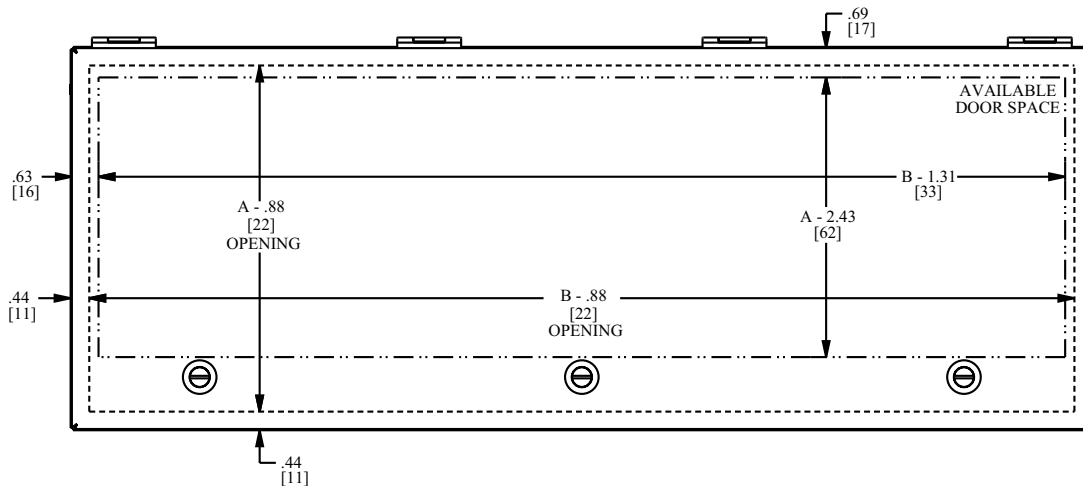
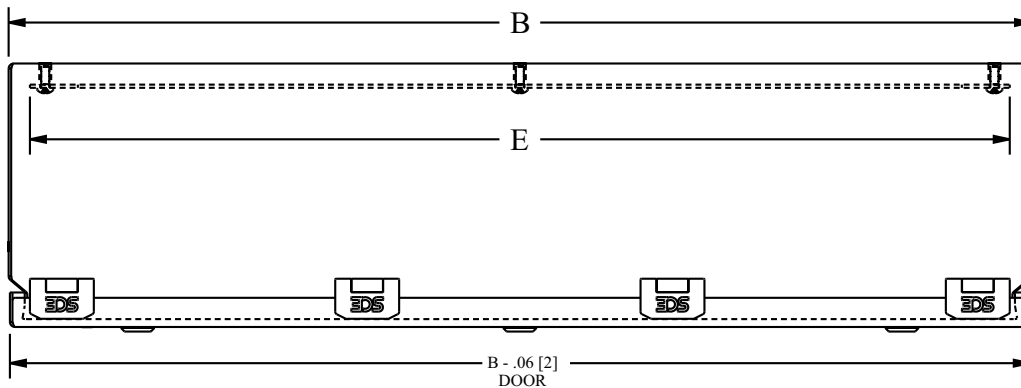


Phone (989) 799-6871
Fax (989) 799-4524



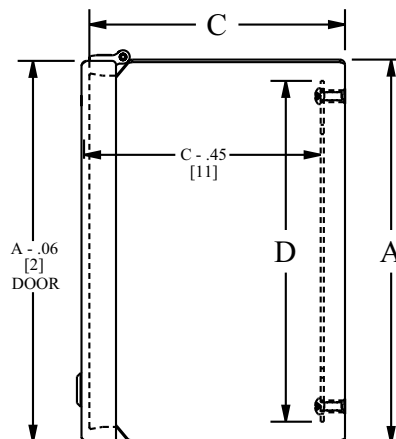
ENVIROLINE® SERIES JUNCTION ENCLOSURES

TECHNICAL DATA



LATCH NOTES:

1. One latch centered on the door horizontally if width is ≤ 14.00 [356]
2. Two latches located 3.00 [76] from sides of door if width is > 14.00 [356]
3. An additional latch is centered horizontally if width is > 20.00 [508]



Enviroline® Series Trough Junction Enclosures with Viewing Window

Application -

Designed to house electrical controls, instruments and components used in an indoor or outdoor environment to provide a degree of protection for the equipment inside the enclosure against ingress of solid foreign objects (falling dirt); and provide a degree of protection with respect to the harmful effects on the equipment due to the ingress of water (rain, sleet, snow). For installation information, consult our Installation Manual at www.saginawcontrol.com.

Construction -

- 0.063" carbon steel.
- Seams continuously welded and ground smooth.
- Flange trough collar around all sides of door opening.
- Large viewing windows.
- Oil-resistant gasket.
- Standoffs provided for mounting optional sub-panels.
- Removable hinges.
- Doors open 180 degrees.
- Black mini quarter turn latches.
- Latches are opened or closed with a screwdriver.
- Sealing washers and hole plugs included.
- Ground stud on door and body.
- Mounting feet included.
- Padlocking or keylocking latches, and tamper-resistant hardware is available.

Finish -

ANSI-61 gray powder coated inside and out. Optional sub-panels powder coated white.

Notes -

Recommend use as Type 3R rating in full outdoor exposure and extreme weather environments.

For more details see *Design Considerations When Specifying Your Enclosure* on our website.

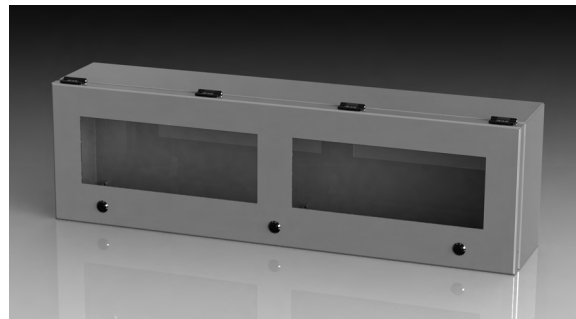
IS4 - Industry Standards -

NEMA Type 3R, 4, 12 & Type 13
UL Listed Type 3R, 4, & 12
CSA Type 3R, 4 & 12
IEC 60529 IP66

***Special Instructions apply for IS3, IS4 and IS6 to maintain the environmental rating of Type 3R for these parts. See the Special Instructions on the Industry Standards page in the Technical Information Section.

ENVIROLINE® SERIES TROUGH JUNCTION ENCLOSURES WITH VIEWING WINDOW

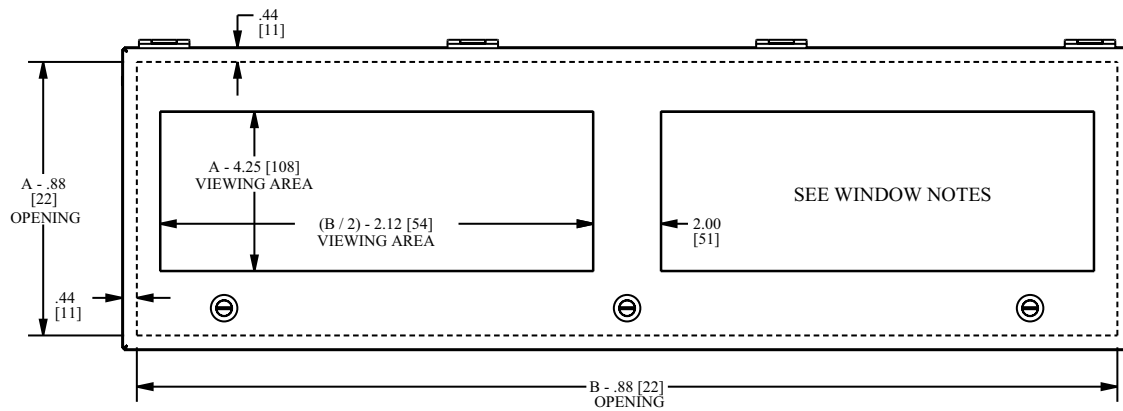
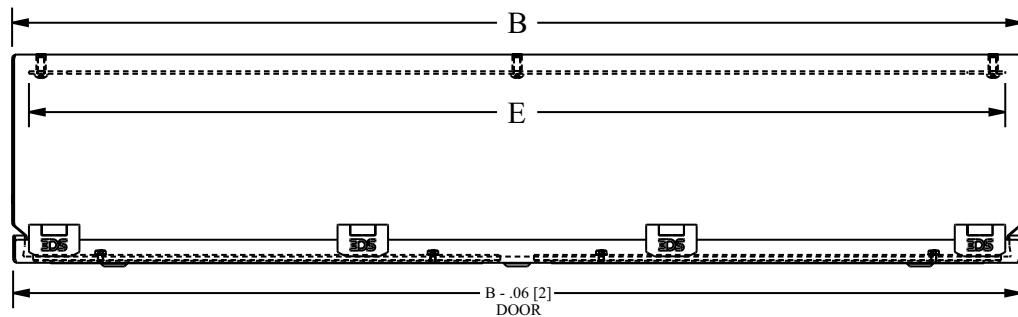
ENCLOSURE PRODUCT CODE E1						SUB-PANEL PRODUCT CODE (P3)			
Catalog No.	Height (A)	Width (B)	Depth (C)	Industry Standard	List Price	Catalog No.	Panel Height (D)	Panel Width (E)	List Price
SCE-L9126ELJW	9.00	12.00	6.00	IS4	275.71	SCE-9P12L	8.00	11.00	18.86
SCE-L9128ELJW	9.00	12.00	8.00	IS4	292.25	SCE-9P12L	8.00	11.00	18.86
SCE-L9186ELJW	9.00	18.00	6.00	IS4	278.67	SCE-9P18L	8.00	17.00	26.63
SCE-L9188ELJW	9.00	18.00	8.00	IS4	295.39	SCE-9P18L	8.00	17.00	26.63
SCE-L9246ELJW	9.00	24.00	6.00	IS4	303.78	SCE-9P24L	8.00	23.00	29.14
SCE-L9248ELJW	9.00	24.00	8.00	IS4	322.01	SCE-9P24L	8.00	23.00	29.14
SCE-L9306ELJW	9.00	30.00	6.00	IS4	306.94	SCE-9P30L	8.00	29.00	31.92
SCE-L9308ELJW	9.00	30.00	8.00	IS4	325.36	SCE-9P30L	8.00	29.00	31.92
SCE-L9366ELJW	9.00	36.00	6.00	IS4	309.80	SCE-9P36L	8.00	35.00	34.97
SCE-L9368ELJW	9.00	36.00	8.00	IS4	328.39	SCE-9P36L	8.00	35.00	34.97



Phone (989) 799-6871
Fax (989) 799-4524



ENVIROLINE® SERIES TROUGH JUNCTION ENCLOSURES WITH VIEWING WINDOW TECHNICAL DATA

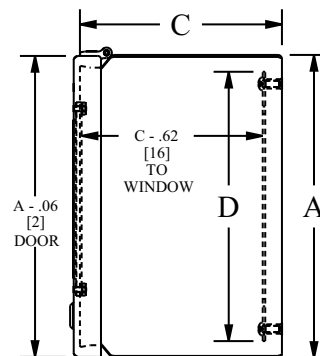


LATCH NOTES:

1. One latch centered on the door horizontally if width is ≤ 14.00 [356]
2. Two latches located 3.00 [76] from sides of door if width is > 14.00 [356]
3. An additional latch is centered horizontally if width is > 20.00 [508]

WINDOW NOTES:

1. Door has a single window when viewing area width is ≤ 16.00 [406].
2. Door has two windows if viewing area width would be > 16.00 [406] for a single window.



Continuous Hinge Enclosures

Application -

Designed for use as electrical junction boxes, terminal wiring boxes, instrument housings, and electrical control enclosures. Provides protection from dust, dirt, oil and water. For installation information, consult our Installation Manual at www.saginawcontrol.com.

Construction -

- 0.063" carbon steel.
- Seams continuously welded and ground smooth, no holes or knockouts.
- Bolt-on continuous hinge with stainless steel pin.
- Stainless steel external screw clamps are quick and easy to operate.
- Oil resistant gasket.
- Standoffs provided for mounting optional sub-panels.
- Welded mounting provision top and bottom of back.
- Ground stud on door and body.

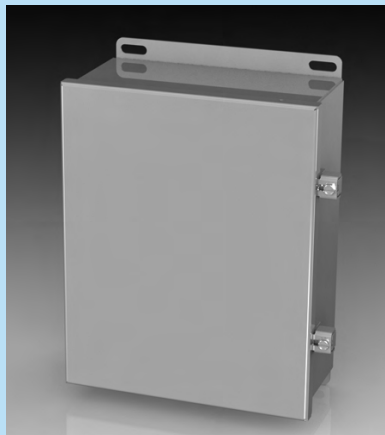
Finish -

ANSI-61 gray powder coated inside and out. Optional sub-panels powder coated white.

IS4 - Industry Standards -

NEMA Type 3R, 4, 12 & Type 13
UL Listed Type 3R, 4 & 12
CSA Type 3R, 4 & 12
IEC 60529 IP66

***Special Instructions apply for IS3, IS4 and IS6 to maintain the environmental rating of Type 3R for these parts. See the Special Instructions on the Industry Standards page in the Technical Information Section.



CONTINUOUS HINGE ENCLOSURES

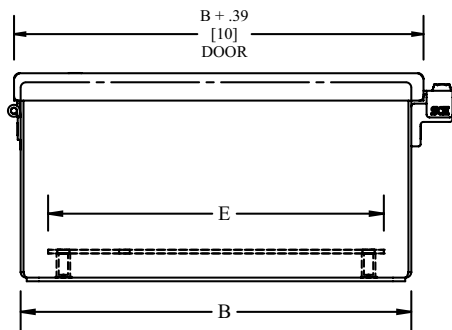
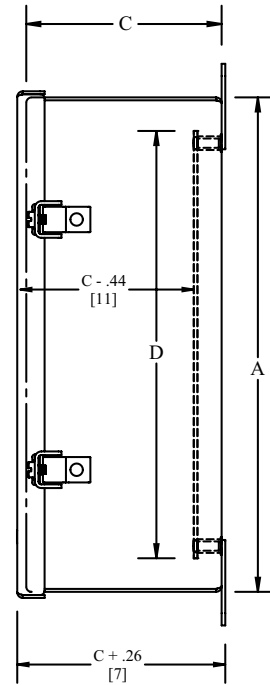
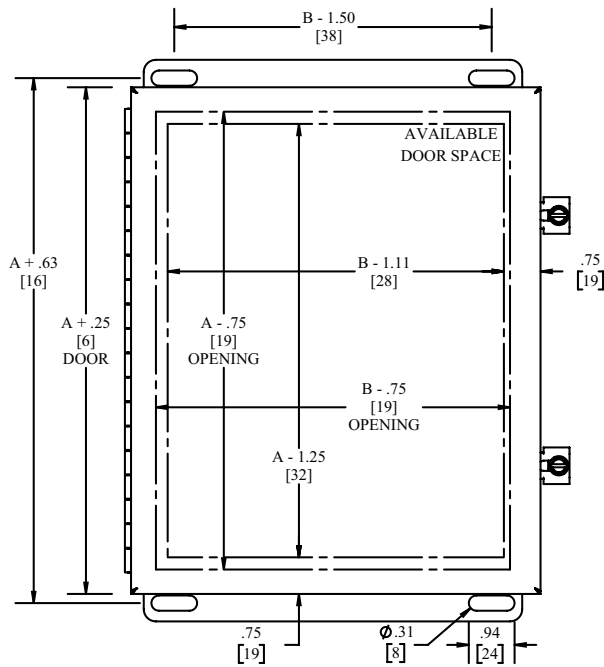
ENCLOSURE PRODUCT CODE A1						SUB-PANEL (P3)			
Catalog No.	Height (A)	Width (B)	Depth (C)	Industry Standard	List Price	Catalog No.	Panel Height (D)	Panel Width (E)	List Price
SCE-404CHNF	4.13	4.00	3.00	IS4	37.68	No Panel			
SCE-4044CHNF	4.13	4.00	4.00	IS4	38.97	No Panel			
SCE-604CHNF	6.13	4.00	3.00	IS4	42.36	SCE-6P4	5.00	3.00	3.01
SCE-6044CHNF	6.13	4.00	4.00	IS4	45.48	SCE-6P4	5.00	3.00	3.01
SCE-606CHNF	6.13	6.00	4.00	IS4	49.37	SCE-6P6	5.00	5.00	3.61
SCE-806CHNF	8.13	6.00	3.50	IS4	53.27	SCE-8P6	7.00	5.00	4.17
SCE-8066CHNF	8.13	6.00	6.00	IS4	62.66	SCE-8P6	7.00	5.00	4.17
SCE-808CHNF	8.13	8.00	4.00	IS4	59.78	SCE-8P8	7.00	7.00	4.89
SCE-8086CHNF	8.13	8.00	6.00	IS4	68.69	SCE-8P8	7.00	7.00	4.89
SCE-1008CHNF	10.13	8.00	4.00	IS4	69.39	SCE-10P8	9.00	7.00	5.70
SCE-1008CHSNF	10.13	8.00	4.00	IS4	73.30	SCE-10P8	9.00	7.00	5.70
SCE-10086CHNF	10.13	8.00	6.00	IS4	79.24	SCE-10P8	9.00	7.00	5.70
SCE-10106CHNF	10.13	10.00	6.00	IS4	80.55	SCE-10P10	9.00	9.00	6.73
SCE-12064CHNF	12.13	6.00	4.00	IS4	63.66	SCE-12P6	11.00	5.00	5.35
SCE-1210CHNF	12.13	10.00	5.00	IS4	87.29	SCE-12P10	11.00	9.00	7.72
SCE-1210CHSNF	12.13	10.00	5.00	IS4	89.33	SCE-12P10	11.00	9.00	7.72
SCE-12106CHNF	12.13	10.00	6.00	IS4	91.96	SCE-12P10	11.00	9.00	7.72
SCE-12108CHNF	12.13	10.00	8.00	IS4	98.74	SCE-12P10	11.00	9.00	7.72
SCE-1212CHNF	12.13	12.00	6.00	IS4	101.32	SCE-12P12	11.00	11.00	9.08
SCE-14086CHNF	14.13	8.00	6.00	IS4	87.06	SCE-14P8	13.00	7.00	7.39
SCE-1412CHNF	14.13	12.00	6.00	IS4	112.50	SCE-14P12	13.00	11.00	10.13
SCE-1412CHSNF	14.13	12.00	6.00	IS4	118.13	SCE-14P12	13.00	11.00	10.13
SCE-14128CHNF	14.13	12.00	8.00	IS4	119.01	SCE-14P12	13.00	11.00	10.13
SCE-16106CHNF	16.13	10.00	6.00	IS4	102.65	SCE-16P10	15.00	9.00	9.90
SCE-1614CHNF	16.13	14.00	6.00	IS4	131.71	SCE-16P14	15.00	13.00	19.95
SCE-1614CHSNF	16.13	14.00	6.00	IS4	138.30	SCE-16P14	15.00	13.00	19.95
SCE-16148CHNF	16.13	14.00	8.00	IS4	143.66	SCE-16P14	15.00	13.00	19.95
SCE-161410CHNF	16.13	14.00	10.00	IS4	150.70	SCE-16P14	15.00	13.00	19.95

Catalog numbers containing an "S" are hinged on the short side.

Phone (989) 799-6871
Fax (989) 799-4524



CONTINUOUS HINGE ENCLOSURES TECHNICAL DATA



NOTE:
SUB-PANEL MUST BE ORDERED SEPARATELY.

CLAMPING NOTE:
ENCLOSURES < 10.00 [254] IN HEIGHT REQUIRE
ONE CLAMP CENTERED VERTICALLY ON DOOR.

Screw Cover Enclosures

Application -

Designed for use as electrical junction boxes, terminal wiring boxes, instrument housings, and electrical control enclosures. Provides protection from dust, oil and water. For installation information, consult our Installation Manual at www.saginawcontrol.com.

Construction -

- 0.063" carbon steel.
- Seams continuously welded and ground smooth, no holes or knockouts.
- Captivated cover screws thread into sealed wells.
- Oil resistant gasket.
- Standoffs provided for mounting optional sub-panels.

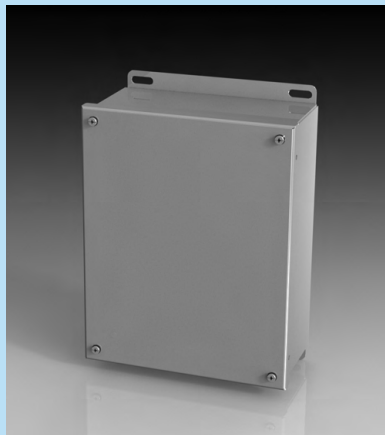
Finish -

ANSI-61 gray powder coated inside and out. Optional sub-panels powder coated white.

IS4 - Industry Standards -

NEMA Type 3R, 4, 12 & Type 13
UL Listed Type 3R, 4 & 12
CSA Type 3R, 4 & 12
IEC 60529 IP66

***Special Instructions apply for IS3, IS4 and IS6 to maintain the environmental rating of Type 3R for these parts. See the Special Instructions on the Industry Standards page in the Technical Information Section.



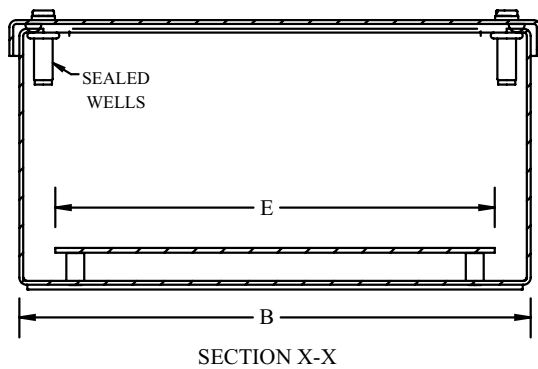
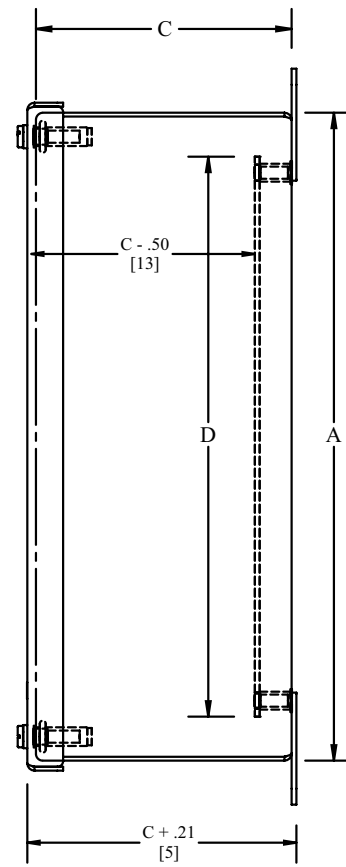
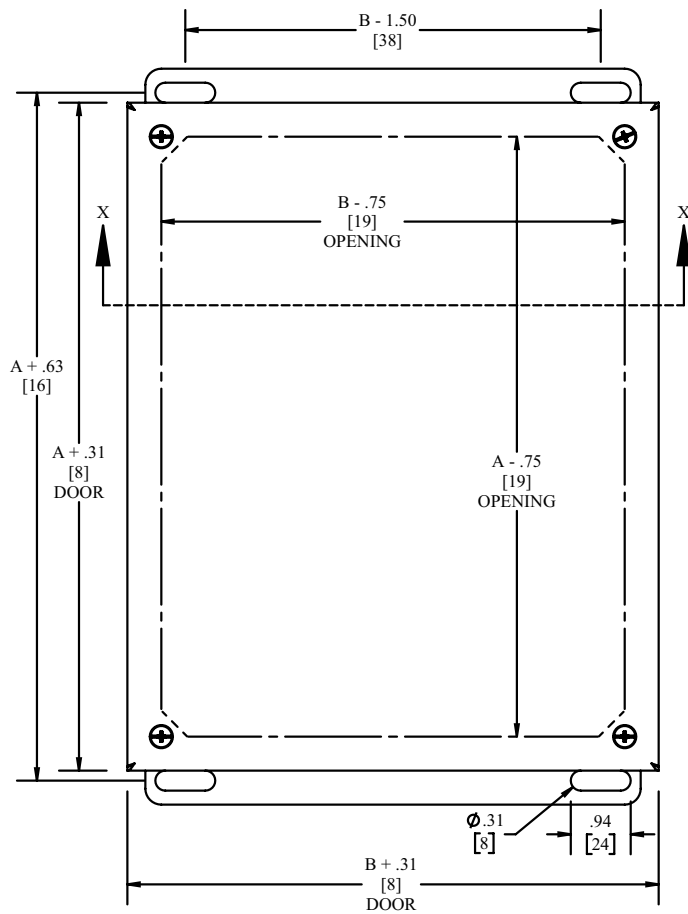
SCREW COVER ENCLOSURES

ENCLOSURE PRODUCT CODE A1						SUB-PANEL (P3)			
Catalog No.	Height (A)	Width (B)	Depth (C)	Industry Standard	List Price	Catalog No.	Panel Height (D)	Panel Width (E)	List Price
SCE-404SC	4.13	4.00	3.00	IS4	37.62	No Panel			
SCE-4044SC	4.13	4.00	4.00	IS4	37.62	No Panel			
SCE-604SC	6.13	4.00	3.00	IS4	42.64	SCE-6P4	5.00	3.00	3.01
SCE-6044SC	6.13	4.00	4.00	IS4	47.65	SCE-6P4	5.00	3.00	3.01
SCE-606SC	6.13	6.00	4.00	IS4	50.17	SCE-6P6	5.00	5.00	3.61
SCE-806SC	8.13	6.00	3.50	IS4	52.68	SCE-8P6	7.00	5.00	4.17
SCE-8066SC	8.13	6.00	6.00	IS4	60.19	SCE-8P6	7.00	5.00	4.17
SCE-808SC	8.13	8.00	4.00	IS4	60.19	SCE-8P8	7.00	7.00	4.89
SCE-1008SC	10.13	8.00	4.00	IS4	65.22	SCE-10P8	9.00	7.00	5.70
SCE-10086SC	10.13	8.00	6.00	IS4	73.99	SCE-10P8	9.00	7.00	5.70
SCE-1010SC	10.13	10.00	4.00	IS4	72.73	SCE-10P10	9.00	9.00	6.73
SCE-10106SC	10.13	10.00	6.00	IS4	81.51	SCE-10P10	9.00	9.00	6.73
SCE-1210SC	12.13	10.00	5.00	IS4	82.76	SCE-12P10	11.00	9.00	7.72
SCE-121010SC	12.13	10.00	10.00	IS4	125.41	SCE-12P10	11.00	9.00	7.72
SCE-1212SC	12.13	12.00	6.00	IS4	96.56	SCE-12P12	11.00	11.00	9.08
SCE-1412SC	14.13	12.00	6.00	IS4	105.34	SCE-14P12	13.00	11.00	10.13
SCE-1614SC	16.13	14.00	6.00	IS4	122.89	SCE-16P14	15.00	13.00	19.95

Phone (989) 799-6871
Fax (989) 799-4524



SCREW COVER ENCLOSURES TECHNICAL DATA



NOTE:
SUB-PANEL SOLD SEPARATELY

Enviroline® Series Single-Door Enclosures

Application -

Designed to house electrical and electronic controls, instruments and components. Provides protection from dust, oil and water. For outdoor application a drip shield is recommended. For installation information, consult our Installation Manual at www.saginawcontrol.com.

Construction -

- 0.075" carbon steel.
- Seams continuously welded and ground smooth.
- Flange trough collar around all sides of door opening.
- Oil-resistant gasket.
- Collar studs provided for mounting optional sub-panels.
- Concealed hinges.
- Removable and interchangeable doors.
- Black quarter turn latches.
- Latches are opened or closed with a screwdriver.
- Mounting holes in back of enclosure.
- Mounting hardware, sealing washers and hole plugs included.
- Removable print pocket furnished if height and width of enclosure is greater than 12".
- Ground studs on door and body.
- Provision for Lifting Lugs included on enclosures with Height >48" and with Depth >16". Lifting Lug assembly included with the enclosure bolt pack.

Options -

- Optional tamper-resistant inserts available.
- Optional mounting feet available.
- Door hardware available.

Finish -

ANSI-61 gray powder coated inside and out. Optional sub-panels powder coated white.

Notes -

Interchangeable latches and handles available in the accessory section.

IS4 - Industry Standards -

NEMA Type 3R, 4, 12 & Type 13
UL Listed Type 3R, 4 & 12
CSA Type 3R, 4 & 12
IEC 60529 IP66

***Special Instructions apply for IS3, IS4 and IS6 to maintain the environmental rating of Type 3R for these parts. See the Special Instructions on the Industry Standards page in the Technical Information Section.

ENVIROLINE® SERIES SINGLE-DOOR ENCLOSURES

ENCLOSURE PRODUCT CODE E3						SUB-PANEL (P3)			
Catalog No.	Height (A)	Width (B)	Depth (C)	Industry Standard	List Price	Catalog No.	Panel Height (D)	Panel Width (E)	List Price
SCE-12EL1206LP	12.00	12.00	6.00	IS4	183.29	SCE-12DLP12	9.00	9.00	13.67
SCE-12EL2406LP	12.00	24.00	6.00	IS4	218.97	SCE-12P24	9.00	21.00	27.86
SCE-12EL2408LP	12.00	24.00	8.00	IS4	239.11	SCE-12P24	9.00	21.00	27.86
SCE-16EL1206LP	16.00	12.00	6.00	IS4	194.36	SCE-16P12	13.00	9.00	14.81
SCE-16EL1208LP	16.00	12.00	8.00	IS4	205.44	SCE-16P12	13.00	9.00	14.81
SCE-16EL1408LP	16.00	14.00	8.00	IS4	211.59	SCE-16DLP14	13.00	11.00	17.72
SCE-16EL1606LP	16.00	16.00	6.00	IS4	210.37	SCE-16P16	13.00	13.00	24.57
SCE-16EL1608LP	16.00	16.00	8.00	IS4	234.97	SCE-16P16	13.00	13.00	24.57
SCE-16EL2006LP	16.00	20.00	6.00	IS4	236.19	SCE-20P16	17.00	13.00	30.37
SCE-16EL2008LP	16.00	20.00	8.00	IS4	237.42	SCE-20P16	17.00	13.00	30.37
SCE-20EL1206LP	20.00	12.00	6.00	IS4	209.13	SCE-20P12	17.00	9.00	23.14
SCE-20EL1606LP	20.00	16.00	6.00	IS4	225.12	SCE-20P16	17.00	13.00	30.37
SCE-20EL1608LP	20.00	16.00	8.00	IS4	237.42	SCE-20P16	17.00	13.00	30.37
SCE-20EL1610LP	20.00	16.00	10.00	IS4	252.38	SCE-20P16	17.00	13.00	30.37
SCE-20EL1612LP	20.00	16.00	12.00	IS4	263.25	SCE-20P16	17.00	13.00	30.37
SCE-20EL2006LP	20.00	20.00	6.00	IS4	242.34	SCE-20P20	17.00	17.00	35.44
SCE-20EL2008LP	20.00	20.00	8.00	IS4	255.87	SCE-20P20	17.00	17.00	35.44
SCE-20EL2010LP	20.00	20.00	10.00	IS4	270.07	SCE-20P20	17.00	17.00	35.44
SCE-20EL2012LP	20.00	20.00	12.00	IS4	284.17	SCE-20P20	17.00	17.00	35.44
SCE-20EL2408LP	20.00	24.00	8.00	IS4	275.56	SCE-24P20	21.00	17.00	45.57
SCE-24EL1206LP	24.00	12.00	6.00	IS4	218.97	SCE-12P24	9.00	21.00	27.86
SCE-24EL1606LP	24.00	16.00	6.00	IS4	239.89	SCE-24P16	21.00	13.00	32.92
SCE-24EL1608LP	24.00	16.00	8.00	IS4	253.42	SCE-24P16	21.00	13.00	32.92
SCE-24EL2006LP	24.00	20.00	6.00	IS4	260.80	SCE-24P20	21.00	17.00	45.57
SCE-24EL2008LP	24.00	20.00	8.00	IS4	275.56	SCE-24P20	21.00	17.00	45.57
SCE-24EL2010LP	24.00	20.00	10.00	IS4	292.78	SCE-24P20	21.00	17.00	45.57
SCE-24EL2012LP	24.00	20.00	12.00	IS4	307.54	SCE-24P20	21.00	17.00	45.57
SCE-24EL2016LP	24.00	20.00	16.00	IS4	337.06	SCE-24P20	21.00	17.00	45.57
SCE-24EL2406LP	24.00	24.00	6.00	IS4	281.71	SCE-24P24	21.00	21.00	53.18
SCE-24EL2408LP	24.00	24.00	8.00	IS4	297.70	SCE-24P24	21.00	21.00	53.18
SCE-24EL2410LP	24.00	24.00	10.00	IS4	314.93	SCE-24P24	21.00	21.00	53.18
SCE-24EL2412LP	24.00	24.00	12.00	IS4	329.69	SCE-24P24	21.00	21.00	53.18
SCE-24EL2416LP	24.00	24.00	16.00	IS4	362.90	SCE-24P24	21.00	21.00	53.18
SCE-24EL3008LP	24.00	30.00	8.00	IS4	329.69	SCE-30P24	27.00	21.00	63.29
SCE-24EL3010LP	24.00	30.00	10.00	IS4	355.51	SCE-30P24	27.00	21.00	63.29
SCE-24EL3012LP	24.00	30.00	12.00	IS4	380.54	SCE-30P24	27.00	21.00	63.29
SCE-30EL1606LP	30.00	16.00	6.00	IS4	263.25	SCE-30P16	27.00	13.00	45.57
SCE-30EL2008LP	30.00	20.00	8.00	IS4	303.85	SCE-30P20	27.00	17.00	55.70
SCE-30EL2010LP	30.00	20.00	10.00	IS4	319.84	SCE-30P20	27.00	17.00	55.70
SCE-30EL2406LP	30.00	24.00	6.00	IS4	309.63	SCE-30P24	27.00	21.00	63.29
SCE-30EL2408LP	30.00	24.00	8.00	IS4	329.69	SCE-30P24	27.00	21.00	63.29
SCE-30EL2410LP	30.00	24.00	10.00	IS4	355.51	SCE-30P24	27.00	21.00	63.29
SCE-30EL2412LP	30.00	24.00	12.00	IS4	366.59	SCE-30P24	27.00	21.00	63.29
SCE-30EL2416LP	30.00	24.00	16.00	IS4	404.72	SCE-30P24	27.00	21.00	63.29
SCE-30EL2420LP	30.00	24.00	20.00	IS4	441.62	SCE-30P24	27.00	21.00	63.29
SCE-30EL2424LP	30.00	24.00	24.00	IS4	478.53	SCE-30P24	27.00	21.00	63.29
SCE-30EL3008LP	30.00	30.00	8.00	IS4	369.05	SCE-30P30	27.00	27.00	83.55
SCE-30EL3010LP	30.00	30.00	10.00	IS4	410.87	SCE-30P30	27.00	27.00	83.55
SCE-30EL3012LP	30.00	30.00	12.00	IS4	423.17	SCE-30P30	27.00	27.00	83.55
SCE-30EL3608LP	30.00	36.00	8.00	IS4	408.42	SCE-36P30	33.00	27.00	101.27
SCE-36EL2408LP	36.00	24.00	8.00	IS4	362.90	SCE-36P24	33.00	21.00	75.96
SCE-36EL2410LP	36.00	24.00	10.00	IS4	392.42	SCE-36P24	33.00	21.00	75.96
SCE-36EL2412LP	36.00	24.00	12.00	IS4	404.72	SCE-36P24	33.00	21.00	75.96

ENVIROLINE® SERIES SINGLE-DOOR ENCLOSURES

ENCLOSURE PRODUCT CODE E3						SUB-PANEL (P3)			
Catalog No.	Height (A)	Width (B)	Depth (C)	Industry Standard	List Price	Catalog No.	Panel Height (D)	Panel Width (E)	List Price
SCE-36EL2416LP	36.00	24.00	16.00	IS4	418.25	SCE-36P24	33.00	21.00	75.96
SCE-36EL3008LP	36.00	30.00	8.00	IS4	408.42	SCE-36P30	33.00	27.00	101.27
SCE-36EL3010LP	36.00	30.00	10.00	IS4	435.47	SCE-36P30	33.00	27.00	101.27
SCE-36EL3012LP	36.00	30.00	12.00	IS4	452.70	SCE-36P30	33.00	27.00	101.27
SCE-36EL3016LP	36.00	30.00	16.00	IS4	498.22	SCE-36P30	33.00	27.00	101.27
SCE-36EL3020LP	36.00	30.00	20.00	IS4	542.51	SCE-36P30	33.00	27.00	101.27
SCE-36EL3608LP	36.00	36.00	8.00	IS4	452.70	SCE-36P36	33.00	33.00	118.99
SCE-36EL3610LP	36.00	36.00	10.00	IS4	488.77	SCE-36P36	33.00	33.00	118.99
SCE-36EL3612LP	36.00	36.00	12.00	IS4	501.91	SCE-36P36	33.00	33.00	118.99
SCE-36EL3616LP	36.00	36.00	16.00	IS4	551.11	SCE-36P36	33.00	33.00	118.99
SCE-40EL2412LP	40.00	24.00	12.00	IS4	428.10	SCE-40P24	37.00	21.00	86.08
SCE-42EL2410LP	42.00	24.00	10.00	IS4	457.63	SCE-42P24	39.00	21.00	91.14
SCE-42EL3008LP	42.00	30.00	8.00	IS4	449.01	SCE-42P30	39.00	27.00	116.47
SCE-42EL3010LP	42.00	30.00	10.00	IS4	471.15	SCE-42P30	39.00	27.00	116.47
SCE-42EL3012LP	42.00	30.00	12.00	IS4	496.98	SCE-42P30	39.00	27.00	116.47
SCE-42EL3016LP	42.00	30.00	16.00	IS4	528.98	SCE-42P30	39.00	27.00	116.47
SCE-42EL3608LP	42.00	36.00	8.00	IS4	499.46	SCE-42P36	39.00	33.00	136.72
SCE-42EL3610LP	42.00	36.00	10.00	IS4	524.06	SCE-42P36	39.00	33.00	136.72
SCE-42EL3612LP	42.00	36.00	12.00	IS4	551.11	SCE-42P36	39.00	33.00	136.72
SCE-42EL3616LP	42.00	36.00	16.00	IS4	605.24	SCE-42P36	39.00	33.00	136.72
SCE-48EL2408LP	48.00	24.00	8.00	IS4	429.32	SCE-48P24	45.00	21.00	98.74
SCE-48EL2412LP	48.00	24.00	12.00	IS4	477.30	SCE-48P24	45.00	21.00	98.74
SCE-48EL3008LP	48.00	30.00	8.00	IS4	498.72	SCE-48P30	45.00	27.00	129.13
SCE-48EL3010LP	48.00	30.00	10.00	IS4	512.98	SCE-48P30	45.00	27.00	129.13
SCE-48EL3012LP	48.00	30.00	12.00	IS4	541.30	SCE-48P30	45.00	27.00	129.13
SCE-48EL3016LP	48.00	30.00	16.00	IS4	574.49	SCE-48P30	45.00	27.00	129.13
SCE-48EL3608LP	48.00	36.00	8.00	IS4	542.51	SCE-48P36	45.00	33.00	154.46
SCE-48EL3610LP	48.00	36.00	10.00	IS4	573.27	SCE-48P36	45.00	33.00	154.46
SCE-48EL3612LP	48.00	36.00	12.00	IS4	600.33	SCE-48P36	45.00	33.00	154.46
SCE-48EL3616LP	48.00	36.00	16.00	IS4	658.14	SCE-48P36	45.00	33.00	154.46
SCE-48EL3620LP	48.00	36.00	20.00	IS4	715.97	SCE-48P36	45.00	33.00	154.46
SCE-60EL2412LP	60.00	24.00	12.00	IS4	551.11	SCE-60P24	57.00	21.00	129.13
SCE-60EL3608LP	60.00	36.00	8.00	IS4	649.48	SCE-60P36	57.00	33.00	189.89
SCE-60EL3610LP	60.00	36.00	10.00	IS4	667.98	SCE-60P36	57.00	33.00	189.89
SCE-60EL3612LP	60.00	36.00	12.00	IS4	698.74	SCE-60P36	57.00	33.00	189.89
SCE-60EL3616LP	60.00	36.00	16.00	IS4	765.17	SCE-60P36	57.00	33.00	189.89
SCE-60EL3620LP	60.00	36.00	20.00	IS4	832.83	SCE-60P36	57.00	33.00	189.89
SCE-60EL3624LP	60.00	36.00	24.00	IS4	1,127.62	SCE-60P36	57.00	33.00	189.89
SCE-72EL3012LP	72.00	30.00	12.00	IS4	749.18	SCE-72P30	69.00	27.00	210.15
SCE-72EL3016LP	72.00	30.00	16.00	IS4	856.21	SCE-72P30	69.00	27.00	210.15
SCE-72EL3024LP	72.00	30.00	24.00	IS4	941.08	SCE-72P30	69.00	27.00	210.15
SCE-72EL3612LP	72.00	36.00	12.00	IS4	799.62	SCE-72P36	69.00	33.00	225.33
SCE-72EL3616LP	72.00	36.00	16.00	IS4	910.33	SCE-72P36	69.00	33.00	225.33
SCE-72EL3624LP	72.00	36.00	24.00	IS4	1,293.50	SCE-72P36	69.00	33.00	225.33



Phone (989) 799-6871
Fax (989) 799-4524

Enviroline® Series Single-Door Enclosures

Application -

Designed to house electrical and electronic controls, instruments and components. Provides protection from dust, oil and water. For outdoor application a drip shield is recommended. For installation information, consult our Installation Manual at www.saginawcontrol.com.

Construction -

- 0.075" carbon steel.
- Seams continuously welded and ground smooth.
- Flange trough collar around all sides of door opening.
- Oil-resistant gasket.
- Collar studs provided for mounting optional sub-panels.
- Concealed hinges.
- Removable and interchangeable doors.
- Black quarter turn latches.
- Latches are opened or closed with a screwdriver.
- Mounting holes in back of enclosure.
- Mounting hardware, sealing washers and hole plugs included.
- Removable print pocket furnished if height and width of enclosure is greater than 12".
- Ground studs on door and body.
- Provision for Lifting Lugs included on enclosures with Height >48" and with Depth >16". Lifting Lug assembly included with the enclosure bolt pack.

Options -

- Optional tamper-resistant inserts available.
- Optional mounting feet available.
- Door hardware available.

Finish -

ANSI-61 gray powder coated inside and out. Optional sub-panels powder coated white.

Notes -

Interchangeable latches and handles available in the accessory section.

IS4 - Industry Standards -

NEMA Type 3R, 4, 12 & Type 13
UL Listed Type 3R, 4 & 12
CSA Type 3R, 4 & 12
IEC 60529 IP66

***Special Instructions apply for IS3, IS4 and IS6 to maintain the environmental rating of Type 3R for these parts. See the Special Instructions on the Industry Standards page in the Technical Information Section.

Enviroline® Series Single-Door Enclosures (RAL 7035)

Application -

Designed to house electrical and electronic controls, instruments and components. Provides protection from dust, oil and water. For outdoor application a drip shield is recommended. For installation information, consult our Installation Manual at www.saginawcontrol.com.

Construction -

- 0.075" carbon steel.
- Seams continuously welded and ground smooth.
- Flange trough collar around all sides of door opening.
- Oil-resistant gasket.
- Collar studs provided for mounting optional sub-panels.
- Concealed hinges.
- Removable and interchangeable doors.
- Black quarter turn latches.
- Latches are opened or closed with a screwdriver.
- Mounting holes in back of enclosure.
- Mounting hardware, sealing washers and hole plugs included.
- Removable print pocket furnished if height and width of enclosure is greater than 12".
- Ground studs on door and body.
- Provision for Lifting Lugs included on enclosures with Height >48" and with Depth >16". Lifting Lug assembly included with the enclosure bolt pack.

Options -

- Optional tamper-resistant inserts available.
- Optional mounting feet available.
- Door hardware available.

Finish -

RAL 7035 gray powder coated inside and out. Optional sub-panels powder coated white.

Notes -

Interchangeable latches and handles available in the accessory section.

IS4 - Industry Standards -

NEMA Type 3R, 4, 12 & Type 13
UL Listed Type 3R, 4 & 12
CSA Type 3R, 4 & 12
IEC 60529 IP66

***Special Instructions apply for IS3, IS4 and IS6 to maintain the environmental rating of Type 3R for these parts. See the Special Instructions on the Industry Standards page in the Technical Information Section.

ENVIROLINE® SERIES SINGLE-DOOR ENCLOSURES - RAL 7035

ENCLOSURE PRODUCT CODE E3						SUB-PANEL (P3)			
Catalog No.	Height (A)	Width (B)	Depth (C)	Industry Standard	List Price	Catalog No.	Panel Height (D)	Panel Width (E)	List Price
SCE-12EL1206LPLG	12.00	12.00	6.00	IS4	183.29	SCE-12DLP12	9.00	9.00	13.67
SCE-12EL2406LPLG	12.00	24.00	6.00	IS4	218.97	SCE-12P24	9.00	21.00	27.86
SCE-12EL2408LPLG	12.00	24.00	8.00	IS4	239.11	SCE-12P24	9.00	21.00	27.86
SCE-16EL1206LPLG	16.00	12.00	6.00	IS4	194.36	SCE-16P12	13.00	9.00	14.81
SCE-16EL1208LPLG	16.00	12.00	8.00	IS4	205.44	SCE-16P12	13.00	9.00	14.81
SCE-16EL1408LPLG	16.00	14.00	8.00	IS4	211.59	SCE-16DLP14	13.00	11.00	17.72
SCE-16EL1606LPLG	16.00	16.00	6.00	IS4	210.37	SCE-16P16	13.00	13.00	24.57
SCE-16EL1608LPLG	16.00	16.00	8.00	IS4	234.97	SCE-16P16	13.00	13.00	24.57
SCE-16EL2006LPLG	16.00	20.00	6.00	IS4	236.19	SCE-20P16	17.00	13.00	30.37
SCE-16EL2008LPLG	16.00	20.00	8.00	IS4	237.42	SCE-20P16	17.00	13.00	30.37
SCE-20EL1206LPLG	20.00	12.00	6.00	IS4	209.13	SCE-20P12	17.00	9.00	23.14
SCE-20EL1606LPLG	20.00	16.00	6.00	IS4	225.12	SCE-20P16	17.00	13.00	30.37
SCE-20EL1608LPLG	20.00	16.00	8.00	IS4	237.42	SCE-20P16	17.00	13.00	30.37
SCE-20EL1610LPLG	20.00	16.00	10.00	IS4	252.38	SCE-20P16	17.00	13.00	30.37
SCE-20EL1612LPLG	20.00	16.00	12.00	IS4	263.25	SCE-20P16	17.00	13.00	30.37
SCE-20EL2006LPLG	20.00	20.00	6.00	IS4	242.34	SCE-20P20	17.00	17.00	35.44
SCE-20EL2008LPLG	20.00	20.00	8.00	IS4	255.87	SCE-20P20	17.00	17.00	35.44
SCE-20EL2010LPLG	20.00	20.00	10.00	IS4	270.07	SCE-20P20	17.00	17.00	35.44
SCE-20EL2012LPLG	20.00	20.00	12.00	IS4	284.17	SCE-20P20	17.00	17.00	35.44
SCE-20EL2408LPLG	20.00	24.00	8.00	IS4	275.56	SCE-24P20	21.00	17.00	45.57
SCE-24EL1206LPLG	24.00	12.00	6.00	IS4	218.97	SCE-12P24	9.00	21.00	27.86
SCE-24EL1606LPLG	24.00	16.00	6.00	IS4	239.89	SCE-24P16	21.00	13.00	32.92
SCE-24EL1608LPLG	24.00	16.00	8.00	IS4	253.42	SCE-24P16	21.00	13.00	32.92
SCE-24EL2006LPLG	24.00	20.00	6.00	IS4	260.80	SCE-24P20	21.00	17.00	45.57
SCE-24EL2008LPLG	24.00	20.00	8.00	IS4	275.56	SCE-24P20	21.00	17.00	45.57
SCE-24EL2010LPLG	24.00	20.00	10.00	IS4	292.78	SCE-24P20	21.00	17.00	45.57
SCE-24EL2012LPLG	24.00	20.00	12.00	IS4	307.54	SCE-24P20	21.00	17.00	45.57
SCE-24EL2016LPLG	24.00	20.00	16.00	IS4	337.06	SCE-24P20	21.00	17.00	45.57
SCE-24EL2406LPLG	24.00	24.00	6.00	IS4	281.71	SCE-24P24	21.00	21.00	53.18
SCE-24EL2408LPLG	24.00	24.00	8.00	IS4	297.70	SCE-24P24	21.00	21.00	53.18
SCE-24EL2410LPLG	24.00	24.00	10.00	IS4	314.93	SCE-24P24	21.00	21.00	53.18
SCE-24EL2412LPLG	24.00	24.00	12.00	IS4	329.69	SCE-24P24	21.00	21.00	53.18
SCE-24EL2416LPLG	24.00	24.00	16.00	IS4	362.90	SCE-24P24	21.00	21.00	53.18
SCE-24EL3008LPLG	24.00	30.00	8.00	IS4	329.69	SCE-30P24	27.00	21.00	63.29
SCE-24EL3010LPLG	24.00	30.00	10.00	IS4	355.51	SCE-30P24	27.00	21.00	63.29
SCE-24EL3012LPLG	24.00	30.00	12.00	IS4	380.54	SCE-30P24	27.00	21.00	63.29
SCE-30EL1606LPLG	30.00	16.00	6.00	IS4	263.25	SCE-30P16	27.00	13.00	45.57
SCE-30EL2008LPLG	30.00	20.00	8.00	IS4	303.85	SCE-30P20	27.00	17.00	55.70
SCE-30EL2010LPLG	30.00	20.00	10.00	IS4	319.84	SCE-30P20	27.00	17.00	55.70
SCE-30EL2406LPLG	30.00	24.00	6.00	IS4	309.63	SCE-30P24	27.00	21.00	63.29
SCE-30EL2408LPLG	30.00	24.00	8.00	IS4	329.69	SCE-30P24	27.00	21.00	63.29
SCE-30EL2410LPLG	30.00	24.00	10.00	IS4	355.51	SCE-30P24	27.00	21.00	63.29
SCE-30EL2412LPLG	30.00	24.00	12.00	IS4	366.59	SCE-30P24	27.00	21.00	63.29
SCE-30EL2416LPLG	30.00	24.00	16.00	IS4	404.72	SCE-30P24	27.00	21.00	63.29
SCE-30EL2420LPLG	30.00	24.00	20.00	IS4	441.62	SCE-30P24	27.00	21.00	63.29
SCE-30EL2424LPLG	30.00	24.00	24.00	IS4	478.53	SCE-30P24	27.00	21.00	63.29
SCE-30EL3008LPLG	30.00	30.00	8.00	IS4	369.05	SCE-30P30	27.00	27.00	83.55
SCE-30EL3010LPLG	30.00	30.00	10.00	IS4	410.87	SCE-30P30	27.00	27.00	83.55
SCE-30EL3012LPLG	30.00	30.00	12.00	IS4	423.17	SCE-30P30	27.00	27.00	83.55
SCE-30EL3608LPLG	30.00	36.00	8.00	IS4	408.42	SCE-36P30	33.00	27.00	101.27
SCE-36EL2408LPLG	36.00	24.00	8.00	IS4	362.90	SCE-36P24	33.00	21.00	75.96
SCE-36EL2410LPLG	36.00	24.00	10.00	IS4	394.42	SCE-36P24	33.00	21.00	75.96
SCE-36EL2412LPLG	36.00	24.00	12.00	IS4	404.72	SCE-36P24	33.00	21.00	75.96

ENVIROLINE® SERIES SINGLE-DOOR ENCLOSURES - RAL 7035

ENCLOSURE PRODUCT CODE E3						SUB-PANEL (P3)			
Catalog No.	Height (A)	Width (B)	Depth (C)	Industry Standard	List Price	Catalog No.	Panel Height (D)	Panel Width (E)	List Price
SCE-36EL2416LPLG	36.00	24.00	16.00	IS4	418.25	SCE-36P24	33.00	21.00	75.96
SCE-36EL3008LPLG	36.00	30.00	8.00	IS4	408.42	SCE-36P30	33.00	27.00	101.27
SCE-36EL3010LPLG	36.00	30.00	10.00	IS4	435.47	SCE-36P30	33.00	27.00	101.27
SCE-36EL3012LPLG	36.00	30.00	12.00	IS4	452.70	SCE-36P30	33.00	27.00	101.27
SCE-36EL3016LPLG	36.00	30.00	16.00	IS4	498.22	SCE-36P30	33.00	27.00	101.27
SCE-36EL3020LPLG	36.00	30.00	20.00	IS4	542.51	SCE-36P30	33.00	27.00	101.27
SCE-36EL3608LPLG	36.00	36.00	8.00	IS4	452.70	SCE-36P36	33.00	33.00	118.99
SCE-36EL3610LPLG	36.00	36.00	10.00	IS4	488.77	SCE-36P36	33.00	33.00	118.99
SCE-36EL3612LPLG	36.00	36.00	12.00	IS4	501.91	SCE-36P36	33.00	33.00	118.99
SCE-36EL3616LPLG	36.00	36.00	16.00	IS4	551.11	SCE-36P36	33.00	33.00	118.99
SCE-40EL2412LPLG	40.00	24.00	12.00	IS4	428.10	SCE-40P24	37.00	21.00	86.08
SCE-42EL2410LPLG	42.00	24.00	10.00	IS4	457.63	SCE-42P24	39.00	21.00	91.14
SCE-42EL3008LPLG	42.00	30.00	8.00	IS4	449.01	SCE-42P30	39.00	27.00	116.47
SCE-42EL3010LPLG	42.00	30.00	10.00	IS4	471.15	SCE-42P30	39.00	27.00	116.47
SCE-42EL3012LPLG	42.00	30.00	12.00	IS4	496.98	SCE-42P30	39.00	27.00	116.47
SCE-42EL3016LPLG	42.00	30.00	16.00	IS4	528.98	SCE-42P30	39.00	27.00	116.47
SCE-42EL3608LPLG	42.00	36.00	8.00	IS4	499.46	SCE-42P36	39.00	33.00	136.72
SCE-42EL3610LPLG	42.00	36.00	10.00	IS4	524.06	SCE-42P36	39.00	33.00	136.72
SCE-42EL3612LPLG	42.00	36.00	12.00	IS4	551.11	SCE-42P36	39.00	33.00	136.72
SCE-42EL3616LPLG	42.00	36.00	16.00	IS4	605.24	SCE-42P36	39.00	33.00	136.72
SCE-48EL2408LPLG	48.00	24.00	8.00	IS4	429.32	SCE-48P24	45.00	21.00	98.74
SCE-48EL2412LPLG	48.00	24.00	12.00	IS4	477.30	SCE-48P24	45.00	21.00	98.74
SCE-48EL3008LPLG	48.00	30.00	8.00	IS4	498.72	SCE-48P30	45.00	27.00	129.13
SCE-48EL3010LPLG	48.00	30.00	10.00	IS4	512.98	SCE-48P30	45.00	27.00	129.13
SCE-48EL3016LPLG	48.00	30.00	16.00	IS4	574.49	SCE-48P30	45.00	27.00	129.13
SCE-48EL3608LPLG	48.00	36.00	8.00	IS4	542.51	SCE-48P36	45.00	33.00	154.46
SCE-48EL3610LPLG	48.00	36.00	10.00	IS4	573.27	SCE-48P36	45.00	33.00	154.46
SCE-48EL3612LPLG	48.00	36.00	12.00	IS4	600.33	SCE-48P36	45.00	33.00	154.46
SCE-48EL3616LPLG	48.00	36.00	16.00	IS4	658.14	SCE-48P36	45.00	33.00	154.46
SCE-48EL3620LPLG	48.00	36.00	20.00	IS4	715.97	SCE-48P36	45.00	33.00	154.46
SCE-60EL2412LPLG	60.00	24.00	12.00	IS4	551.11	SCE-60P24	57.00	21.00	129.13
SCE-60EL3608LPLG	60.00	36.00	8.00	IS4	649.48	SCE-60P36	57.00	33.00	189.89
SCE-60EL3610LPLG	60.00	36.00	10.00	IS4	667.98	SCE-60P36	57.00	33.00	189.89
SCE-60EL3612LPLG	60.00	36.00	12.00	IS4	698.74	SCE-60P36	57.00	33.00	189.89
SCE-60EL3616LPLG	60.00	36.00	16.00	IS4	765.17	SCE-60P36	57.00	33.00	189.89
SCE-60EL3620LPLG	60.00	36.00	20.00	IS4	832.83	SCE-60P36	57.00	33.00	189.89
SCE-60EL3624LPLG	60.00	36.00	24.00	IS4	1,127.62	SCE-60P36	57.00	33.00	189.89
SCE-72EL3012LPLG	72.00	30.00	12.00	IS4	749.18	SCE-72P30	69.00	27.00	210.15
SCE-72EL3016LPLG	72.00	30.00	16.00	IS4	856.21	SCE-72P30	69.00	27.00	210.15
SCE-72EL3024LPLG	72.00	30.00	24.00	IS4	941.08	SCE-72P30	69.00	27.00	210.15
SCE-72EL3612LPLG	72.00	36.00	12.00	IS4	799.62	SCE-72P36	69.00	33.00	225.33
SCE-72EL3616LPLG	72.00	36.00	16.00	IS4	910.33	SCE-72P36	69.00	33.00	225.33
SCE-72EL3624LPLG	72.00	36.00	24.00	IS4	1,239.50	SCE-72P36	69.00	33.00	225.33



Phone (989) 799-6871
Fax (989) 799-4524

Enviroline® Series Single-Door Enclosures (RAL 7035)

Application -

Designed to house electrical and electronic controls, instruments and components. Provides protection from dust, oil and water. For outdoor application a drip shield is recommended. For installation information, consult our Installation Manual at www.saginawcontrol.com.

Construction -

- 0.075" carbon steel.
- Seams continuously welded and ground smooth.
- Flange trough collar around all sides of door opening.
- Oil-resistant gasket.
- Collar studs provided for mounting optional sub-panels.
- Concealed hinges.
- Removable and interchangeable doors.
- Black quarter turn latches.
- Latches are opened or closed with a screwdriver.
- Mounting holes in back of enclosure.
- Mounting hardware, sealing washers and hole plugs included.
- Removable print pocket furnished if height and width of enclosure is greater than 12".
- Ground studs on door and body.
- Provision for Lifting Lugs included on enclosures with Height >48" and with Depth >16". Lifting Lug assembly included with the enclosure bolt pack.

Options -

- Optional tamper-resistant inserts available.
- Optional mounting feet available.
- Door hardware available.

Finish -

RAL 7035 gray powder coated inside and out. Optional sub-panels powder coated white.

Notes -

Interchangeable latches and handles available in the accessory section.

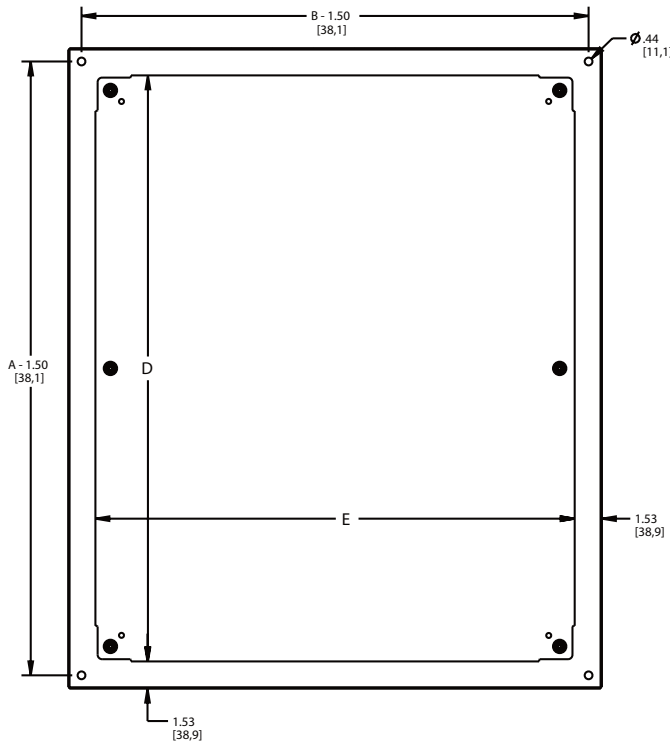
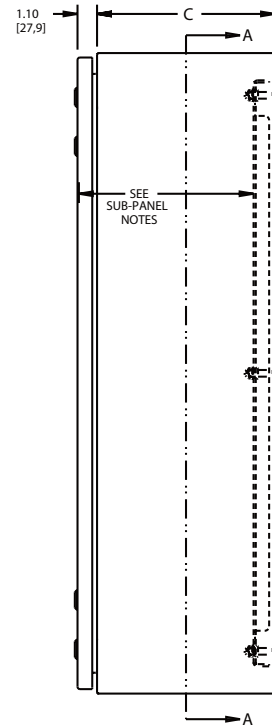
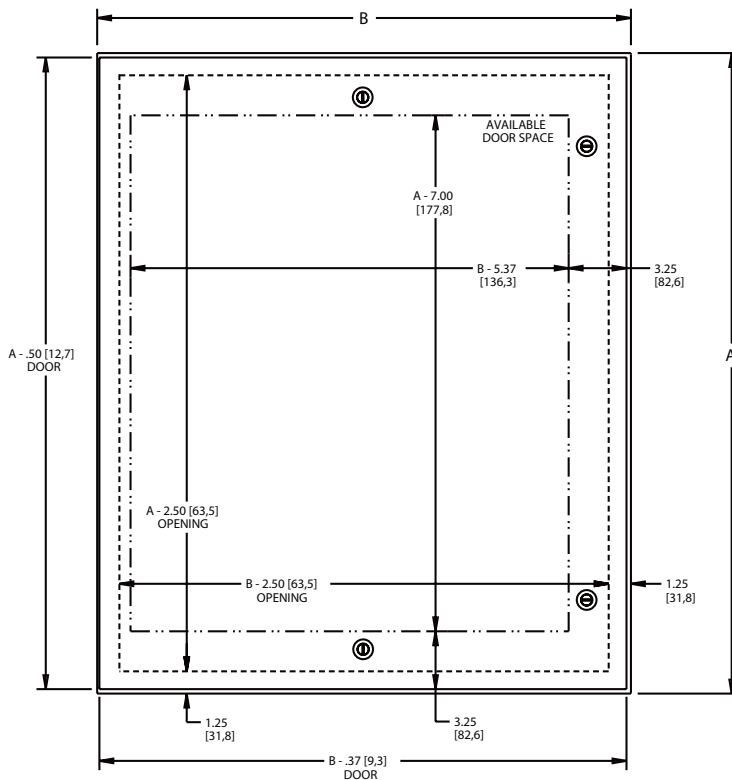
IS4 - Industry Standards -

NEMA Type 3R, 4, 12 & Type 13
UL Listed Type 3R, 4 & 12
CSA Type 3R, 4 & 12
IEC 60529 IP66

***Special Instructions apply for IS3, IS4 and IS6 to maintain the environmental rating of Type 3R for these parts. See the Special Instructions on the Industry Standards page in the Technical Information Section.

ENVIROLINE® SERIES SINGLE-DOOR ENCLOSURES

TECHNICAL DATA



SECTION A-A

SUB-PANEL NOTES:

Dimensions are from the inside of the door
 C + 0.32 [8,1] for flat sub-panels
 C - 0.18 [4,5] for bent sub-panels

LATCH NOTES:

Enclosures < 24.00" [609,6] in height require only one latch centered on door.
 Enclosures >= 24.00" [609,6] and < 40.00" [1016] in height require two latches on door.
 Enclosures >= 40.00" [1016] require three latches on door.
 Omit center latch top and bottom of door when door width is <= 30.00" [762]

Phone (989) 799-6871
 Fax (989) 799-4524



1 Operator System Enclosures
 2 Wall-Mount Enclosures
 3 Free-Standing & Floor-Mounted Enclosures
 4 Modular Enclosures
 5 Operator System Enclosures (Stainless Steel)
 6 Wall-Mount Enclosures (Stainless Steel)
 7 Free-Standing & Floor-Mounted Enclosures (Stainless Steel)
 8 Non-Metallic Enclosures
 9 Accessories
 10 Technical Information
 11 Index

ENVIROLINE® SERIES ENCLOSURES

Enviroline® Series enclosures are an all purpose enclosure with a durable powder coat finish or #4 brushed finish in 304 & 316/316L stainless steel.

Available in carbon steel and stainless steel.

Available in disconnect styles, as well as free-standing enclosures.

Enviroline® Series enclosures are NEMA 12/3R/4 or NEMA 12/3R/4/4X enclosures with quarter turn latches.

Enviroline® Series enclosures feature the exclusive SCE removable hinge which allows the door to swing open 180 degrees.

The SCE designed hinge can be removed by removing the retaining clip and pulling the pin.

The doors are interchangeable.

Flange trough collar around door opening channels liquids away from the door.

Easy to install swing-out panel kits that mount to the concealed hinges.

The quarter turn latches can be replaced with a variety of latches, including wing knob, keylocking, padlocking, coinproof, and tamper resistant inserts.

Quarter turn latches can also be replaced with several handles, including chrome keylocking & padlocking, and the black 5" and 7" SCE handles, including keylocking, padlocking, and coinproof.

A three-point latching system is available for enclosures over 40" high.

Holes in back of the enclosure for mounting or installing optional mounting foot kit (SCE-ELMFK4 or SCE-ELMFK4SS). A hole plug kit is included if holes are not needed.

Enviroline® Series Wall-Mount Enclosures with 3-Point Hardware

Application -

Designed to house electrical and electronic controls, instrumentation and components in indoor or outdoor locations. For outdoor applications a drip shield is recommended. For installation information, consult our Installation Manual at www.saginawcontrol.com.

Construction -

- 0.075" carbon steel.
- Seams continuously welded and ground smooth.
- Flange trough collar around all sides of door opening.
- Collar studs provided for mounting optional sub-panels.
- Mounting holes in back of the enclosure for wall mounting.
- Mounting hardware, sealing washers and hole plugs included.
- Concealed hinges.
- Removable and interchangeable doors.
- Black zinc die cast keylocking/padlocking handles.
- 3-point latching mechanism.
- Black quarter turn latches as required.
- Removable print pocket.
- Oil and water resistant gasket.
- Ground stud on door and body.
- Provision for Lifting Lugs included on enclosures with Height >48" and with Depth >16". Lifting Lug assembly included with the enclosure bolt pack.

Finish -

ANSI-61 gray powder coated inside and out.
Optional sub-panels powder coated white.

IS4 - Industry Standards -

NEMA Type 3R, 4, 12 & Type 13
UL Listed Type 3R, 4 & 12
CSA Type 3R, 4 & 12
IEC 60529 IP66

***Special Instructions apply for IS3, IS4 and IS6 to maintain the environmental rating of Type 3R for these parts. See the Special Instructions on the Industry Standards page in the Technical Information Section.

ENVIROLINE® SERIES SINGLE-DOOR ENCLOSURES WITH 3-POINT HARDWARE

ENCLOSURE PRODUCT CODE E3						SUB-PANEL (P3)			
Catalog No.	Height (A)	Width (B)	Depth (C)	Industry Standard	List Price	Catalog No.	Panel Height (D)	Panel Width (E)	List Price
SCE-24EL2010LPPL	24.00	20.00	10.00	IS4	403.89	SCE-24P20	21.00	17.00	45.57
SCE-24EL2410LPPL	24.00	24.00	10.00	IS4	426.04	SCE-24P24	21.00	21.00	53.18
SCE-30EL2412LPPL	30.00	24.00	12.00	IS4	477.70	SCE-30P24	27.00	21.00	63.29
SCE-30EL3012LPPL	30.00	30.00	12.00	IS4	534.28	SCE-30P30	27.00	27.00	83.55
SCE-36EL2412LPPL	36.00	24.00	12.00	IS4	515.83	SCE-36P24	33.00	21.00	75.96
SCE-36EL3012LPPL	36.00	30.00	12.00	IS4	563.81	SCE-36P30	33.00	27.00	101.27
SCE-42EL3612LPPL	42.00	36.00	12.00	IS4	662.22	SCE-42P36	39.00	33.00	136.72
SCE-48EL3612LPPL	48.00	36.00	12.00	IS4	711.44	SCE-48P36	45.00	33.00	154.46
SCE-48EL3616LPPL	48.00	36.00	16.00	IS4	769.25	SCE-48P36	45.00	33.00	154.46
SCE-60EL3612LPPL	60.00	36.00	12.00	IS4	809.85	SCE-60P36	57.00	33.00	189.89
SCE-60EL3616LPPL	60.00	36.00	16.00	IS4	876.28	SCE-60P36	57.00	33.00	189.89
SCE-60EL3624LPPL	60.00	36.00	24.00	IS4	1,238.73	SCE-60P36	57.00	33.00	189.89
SCE-72EL3624LPPL	72.00	36.00	24.00	IS4	1,404.61	SCE-72P36	69.00	33.00	225.33

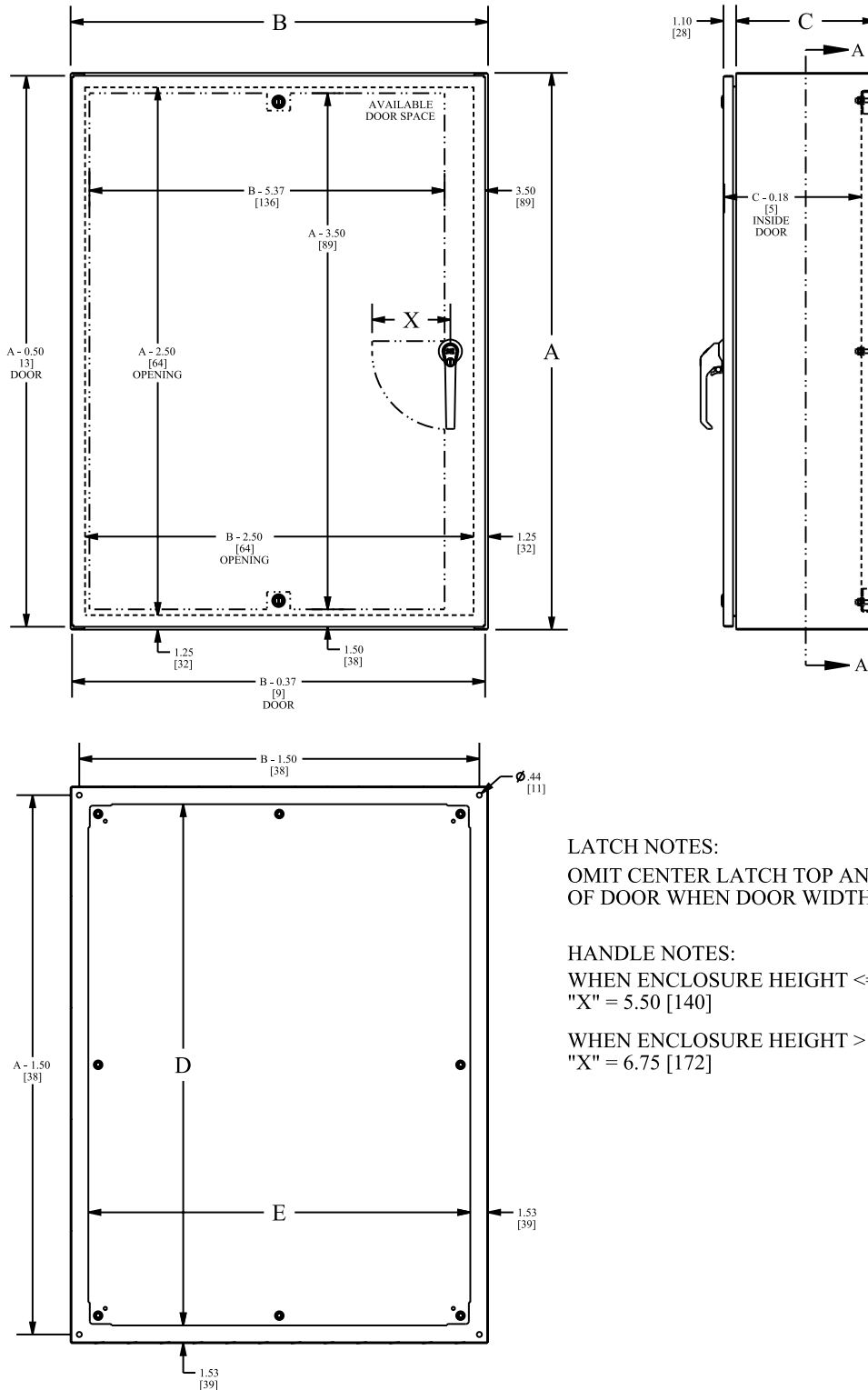


Phone (989) 799-6871
Fax (989) 799-4524



ENVIROLINE® SERIES SINGLE-DOOR ENCLOSURES

TECHNICAL DATA



LATCH NOTES:
 OMIT CENTER LATCH TOP AND BOTTOM OF DOOR WHEN DOOR WIDTH IS < 30.00 [762]

HANDLE NOTES:
 WHEN ENCLOSURE HEIGHT \leq 42.00 [1067]
 "X" = 5.50 [140]
 WHEN ENCLOSURE HEIGHT > 42.00 [1067]
 "X" = 6.75 [172]



Phone (989) 799-6871
 Fax (989) 799-4524

Clamp Fastened Single-Door Enclosures

Application -

Designed to house electrical and electronic controls, instruments, and components. Provides protection from dust, dirt, oil and water. For installation information, consult our Installation Manual at www.saginawcontrol.com.

Construction -

- 0.075" carbon steel.
- Seams continuously welded and ground smooth, no holes or knockouts.
- Flange trough collar around all sides of door opening.
- Door clamps are quick and easy to operate.
- Concealed hinges.
- Hasp and staple for padlocking.
- Oil resistant gasket.
- Collar studs for mounting optional sub-panels.
- Ground stud on door and body.
- Removable print pocket furnished if height and width of enclosure is greater than 12".
- Welded mounting provision top and bottom of back.
- Provision for Lifting Lugs included on enclosures with Height >48" and with Depth >16". Lifting Lug assembly included with the enclosure bolt pack.

Finish -

ANSI-61 gray powder coated inside and out. Optional sub-panels powder coated white.

IS4 - Industry Standards -

NEMA Type 3R, 4, 12 & Type 13
UL Listed Type 3R, 4 & 12
CSA Type 3R, 4 & 12
IEC 60529 IP66

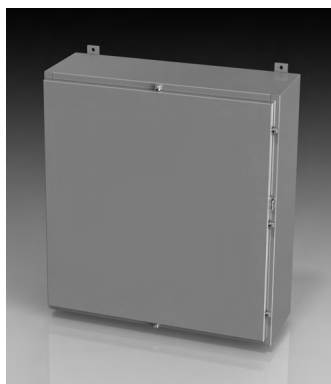
***Special Instructions apply for IS3, IS4 and IS6 to maintain the environmental rating of Type 3R for these parts. See the Special Instructions on the Industry Standards page in the Technical Information Section.

CLAMP FASTENED SINGLE-DOOR ENCLOSURES

ENCLOSURE PRODUCT CODE A3						SUB-PANEL (P3)			
Catalog No.	Height (A)	Width (B)	Depth (C)	Industry Standard	List Price	Catalog No.	Panel Height (D)	Panel Width (E)	List Price
SCE-12H2406LP	12.00	24.00	6.00	IS4	238.27	SCE-12P24	9.00	21.00	27.86
SCE-12H2408LP	12.00	24.00	8.00	IS4	253.33	SCE-12P24	9.00	21.00	27.86
SCE-16H1206LP	16.00	12.00	6.00	IS4	213.19	SCE-16P12	13.00	9.00	14.81
SCE-16H1208LP	16.00	12.00	8.00	IS4	223.22	SCE-16P12	13.00	9.00	14.81
SCE-16H1210LP	16.00	12.00	10.00	IS4	233.25	SCE-16P12	13.00	9.00	14.81
SCE-16H1606LP	16.00	16.00	6.00	IS4	228.25	SCE-16P16	13.00	13.00	24.57
SCE-16H1608LP	16.00	16.00	8.00	IS4	240.78	SCE-16P16	13.00	13.00	24.57
SCE-16H2006LP	16.00	20.00	6.00	IS4	245.80	SCE-20P16	17.00	13.00	30.37
SCE-16H2008LP	16.00	20.00	8.00	IS4	258.34	SCE-20P16	17.00	13.00	30.37
SCE-20H1206LP	20.00	12.00	6.00	IS4	225.73	SCE-20P12	17.00	9.00	23.14
SCE-20H1208LP	20.00	12.00	8.00	IS4	238.27	SCE-20P12	17.00	9.00	23.14
SCE-20H1606LP	20.00	16.00	6.00	IS4	245.80	SCE-20P16	17.00	13.00	30.37
SCE-20H1608LP	20.00	16.00	8.00	IS4	258.34	SCE-20P16	17.00	13.00	30.37
SCE-20H1610LP	20.00	16.00	10.00	IS4	270.87	SCE-20P16	17.00	13.00	30.37
SCE-20H1612LP	20.00	16.00	12.00	IS4	285.93	SCE-20P16	17.00	13.00	30.37
SCE-20H2006LP	20.00	20.00	6.00	IS4	263.35	SCE-20P20	17.00	17.00	35.44
SCE-20H2008LP	20.00	20.00	8.00	IS4	278.41	SCE-20P20	17.00	17.00	35.44
SCE-20H2010LP	20.00	20.00	10.00	IS4	293.45	SCE-20P20	17.00	17.00	35.44
SCE-20H2406LP	20.00	24.00	6.00	IS4	283.43	SCE-24P20	21.00	17.00	45.57
SCE-20H2408LP	20.00	24.00	8.00	IS4	300.48	SCE-24P20	21.00	17.00	45.57
SCE-20H3006LP	20.00	30.00	6.00	IS4	341.10	SCE-30P20	27.00	17.00	55.70
SCE-24H1206LP	24.00	12.00	6.00	IS4	238.10	SCE-12P24	9.00	21.00	27.86
SCE-24H1208LP	24.00	12.00	8.00	IS4	253.33	SCE-12P24	9.00	21.00	27.86
SCE-24H1210LP	24.00	12.00	10.00	IS4	265.86	SCE-12P24	9.00	21.00	27.86
SCE-24H1606LP	24.00	16.00	6.00	IS4	260.85	SCE-24P16	21.00	13.00	32.92
SCE-24H1608LP	24.00	16.00	8.00	IS4	275.89	SCE-24P16	21.00	13.00	32.92
SCE-24H2006LP	24.00	20.00	6.00	IS4	283.43	SCE-24P20	21.00	17.00	45.57
SCE-24H2008LP	24.00	20.00	8.00	IS4	300.98	SCE-24P20	21.00	17.00	45.57
SCE-24H2010LP	24.00	20.00	10.00	IS4	316.04	SCE-24P20	21.00	17.00	45.57
SCE-24H2012LP	24.00	20.00	12.00	IS4	333.58	SCE-24P20	21.00	17.00	45.57
SCE-24H2016LP	24.00	20.00	16.00	IS4	366.19	SCE-24P20	21.00	17.00	45.57
SCE-24H2406LP	24.00	24.00	6.00	IS4	305.99	SCE-24P24	21.00	21.00	53.18
SCE-24H2408LP	24.00	24.00	8.00	IS4	323.55	SCE-24P24	21.00	21.00	53.18
SCE-24H2410LP	24.00	24.00	10.00	IS4	341.10	SCE-24P24	21.00	21.00	53.18
SCE-24H2412LP	24.00	24.00	12.00	IS4	358.66	SCE-24P24	21.00	21.00	53.18
SCE-24H2416LP	24.00	24.00	16.00	IS4	393.78	SCE-24P24	21.00	21.00	53.18
SCE-24H3008LP	24.00	30.00	8.00	IS4	358.66	SCE-30P24	27.00	21.00	63.29
SCE-30H1606LP	30.00	16.00	6.00	IS4	285.93	SCE-30P16	27.00	13.00	45.57
SCE-30H2006LP	30.00	20.00	6.00	IS4	311.00	SCE-30P20	27.00	17.00	55.70
SCE-30H2008LP	30.00	20.00	8.00	IS4	331.07	SCE-30P20	27.00	17.00	55.70
SCE-30H2010LP	30.00	20.00	10.00	IS4	348.61	SCE-30P20	27.00	17.00	55.70
SCE-30H2406LP	30.00	24.00	6.00	IS4	338.60	SCE-30P24	27.00	21.00	63.29
SCE-30H2408LP	30.00	24.00	8.00	IS4	358.66	SCE-30P24	27.00	21.00	63.29
SCE-30H2410LP	30.00	24.00	10.00	IS4	378.73	SCE-30P24	27.00	21.00	63.29
SCE-30H2412LP	30.00	24.00	12.00	IS4	398.79	SCE-30P24	27.00	21.00	63.29
SCE-30H2416LP	30.00	24.00	16.00	IS4	438.92	SCE-30P24	27.00	21.00	63.29
SCE-30H2420LP	30.00	24.00	20.00	IS4	479.05	SCE-30P24	27.00	21.00	63.29
SCE-30H2424LP	30.00	24.00	24.00	IS4	519.19	SCE-30P24	27.00	21.00	63.29
SCE-30H3008LP	30.00	30.00	8.00	IS4	401.30	SCE-30P30	27.00	27.00	83.55
SCE-30H3012LP	30.00	30.00	12.00	IS4	446.44	SCE-30P30	27.00	27.00	83.55
SCE-30H3608LP	30.00	36.00	8.00	IS4	443.93	SCE-36P30	33.00	27.00	101.27
SCE-36H1606LP	36.00	16.00	6.00	IS4	303.48	SCE-36P16	33.00	13.00	53.18
SCE-36H2406LP	36.00	24.00	6.00	IS4	371.21	SCE-36P24	33.00	21.00	75.96

CLAMP FASTENED SINGLE-DOOR ENCLOSURES

ENCLOSURE PRODUCT CODE A3						SUB-PANEL (P3)			
Catalog No.	Height (A)	Width (B)	Depth (C)	Industry Standard	List Price	Catalog No.	Panel Height (D)	Panel Width (E)	List Price
SCE-36H2408LP	36.00	24.00	8.00	IS4	393.78	SCE-36P24	33.00	21.00	75.96
SCE-36H2410LP	36.00	24.00	10.00	IS4	416.36	SCE-36P24	33.00	21.00	75.96
SCE-36H2412LP	36.00	24.00	12.00	IS4	438.92	SCE-36P24	33.00	21.00	75.96
SCE-36H2416LP	36.00	24.00	16.00	IS4	489.09	SCE-36P24	33.00	21.00	75.96
SCE-36H3006LP	36.00	30.00	6.00	IS4	418.86	SCE-36P30	33.00	27.00	101.27
SCE-36H3008LP	36.00	30.00	8.00	IS4	443.93	SCE-36P30	33.00	27.00	101.27
SCE-36H3010LP	36.00	30.00	10.00	IS4	469.01	SCE-36P30	33.00	27.00	101.27
SCE-36H3012LP	36.00	30.00	12.00	IS4	491.60	SCE-36P30	33.00	27.00	101.27
SCE-36H3016LP	36.00	30.00	16.00	IS4	541.76	SCE-36P30	33.00	27.00	101.27
SCE-36H3020LP	36.00	30.00	20.00	IS4	589.41	SCE-36P30	33.00	27.00	101.27
SCE-36H3608LP	36.00	36.00	8.00	IS4	491.60	SCE-36P36	33.00	33.00	118.99
SCE-36H3612LP	36.00	36.00	12.00	IS4	546.77	SCE-36P36	33.00	33.00	118.99
SCE-36H3616LP	36.00	36.00	16.00	IS4	599.43	SCE-36P36	33.00	33.00	118.99
SCE-42H2408LP	42.00	24.00	8.00	IS4	431.40	SCE-42P24	39.00	21.00	91.14
SCE-42H3008LP	42.00	30.00	8.00	IS4	486.58	SCE-42P30	39.00	27.00	116.47
SCE-42H3010LP	42.00	30.00	10.00	IS4	511.65	SCE-42P30	39.00	27.00	116.47
SCE-42H3012LP	42.00	30.00	12.00	IS4	539.24	SCE-42P30	39.00	27.00	116.47
SCE-42H3016LP	42.00	30.00	16.00	IS4	594.42	SCE-42P30	39.00	27.00	116.47
SCE-42H3608LP	42.00	36.00	8.00	IS4	541.76	SCE-42P36	39.00	33.00	136.72
SCE-42H3610LP	42.00	36.00	10.00	IS4	569.34	SCE-42P36	39.00	33.00	136.72
SCE-42H3612LP	42.00	36.00	12.00	IS4	599.43	SCE-42P36	39.00	33.00	136.72
SCE-42H3616LP	42.00	36.00	16.00	IS4	657.13	SCE-42P36	39.00	33.00	136.72
SCE-48H2408LP	48.00	24.00	8.00	IS4	466.51	SCE-48P24	45.00	21.00	98.74
SCE-48H3008LP	48.00	30.00	8.00	IS4	529.22	SCE-48P30	45.00	27.00	129.13
SCE-48H3010LP	48.00	30.00	10.00	IS4	556.80	SCE-48P30	45.00	27.00	129.13
SCE-48H3016LP	48.00	30.00	16.00	IS4	644.58	SCE-48P30	45.00	27.00	129.13
SCE-48H3608LP	48.00	36.00	8.00	IS4	589.41	SCE-48P36	45.00	33.00	154.46
SCE-48H3610LP	48.00	36.00	10.00	IS4	622.02	SCE-48P36	45.00	33.00	154.46
SCE-48H3612LP	48.00	36.00	12.00	IS4	652.12	SCE-48P36	45.00	33.00	154.46
SCE-48H3616LP	48.00	36.00	16.00	IS4	714.82	SCE-48P36	45.00	33.00	154.46
SCE-48H3620LP	48.00	36.00	20.00	IS4	777.52	SCE-48P36	45.00	33.00	154.46
SCE-60H3608LP	60.00	36.00	8.00	IS4	687.22	SCE-60P36	57.00	33.00	189.89
SCE-60H3610LP	60.00	36.00	10.00	IS4	724.84	SCE-60P36	57.00	33.00	189.89
SCE-60H3612LP	60.00	36.00	12.00	IS4	759.96	SCE-60P36	57.00	33.00	189.89
SCE-60H3616LP	60.00	36.00	16.00	IS4	830.19	SCE-60P36	57.00	33.00	189.89
SCE-60H3620LP	60.00	36.00	20.00	IS4	902.92	SCE-60P36	57.00	33.00	189.89
SCE-72H3012LP	72.00	30.00	12.00	IS4	812.62	SCE-72P30	69.00	27.00	210.15
SCE-72H3016LP	72.00	30.00	16.00	IS4	929.27	SCE-72P30	69.00	27.00	210.15
SCE-72H3024LP	72.00	30.00	24.00	IS4	1,020.81	SCE-72P30	69.00	27.00	210.15
SCE-72H3612LP	72.00	36.00	12.00	IS4	867.81	SCE-72P36	69.00	33.00	225.33
SCE-72H3616LP	72.00	36.00	16.00	IS4	985.70	SCE-72P36	69.00	33.00	225.33



Clamp Fastened Single-Door Enclosures

Application -

Designed to house electrical and electronic controls, instruments, and components. Provides protection from dust, dirt, oil and water. For installation information, consult our Installation Manual at www.saginawcontrol.com.

Construction -

- 0.075" carbon steel.
- Seams continuously welded and ground smooth, no holes or knockouts.
- Flange trough collar around all sides of door opening.
- Door clamps are quick and easy to operate.
- Concealed hinges.
- Hasp and staple for padlocking.
- Oil resistant gasket.
- Collar studs for mounting optional sub-panels.
- Ground stud on door and body.
- Removable print pocket furnished if height and width of enclosure is greater than 12".
- Welded mounting provision top and bottom of back.
- Provision for Lifting Lugs included on enclosures with Height >48" and with Depth >16". Lifting Lug assembly included with the enclosure bolt pack.

Finish -

ANSI-61 gray powder coated inside and out. Optional sub-panels powder coated white.

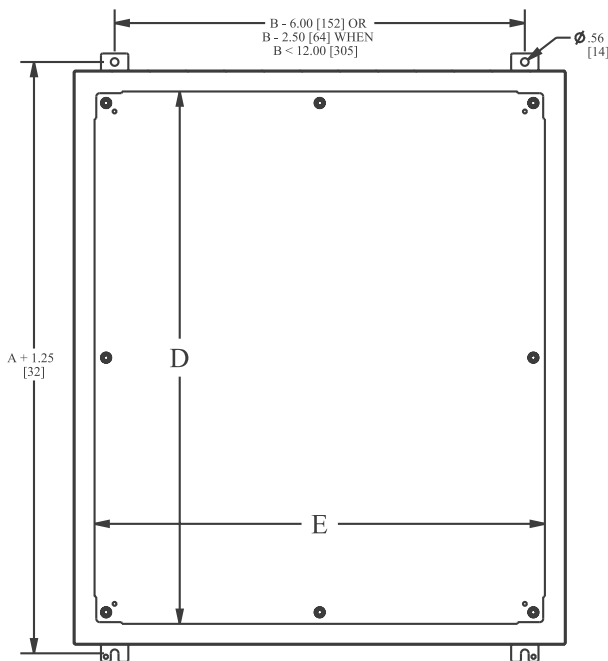
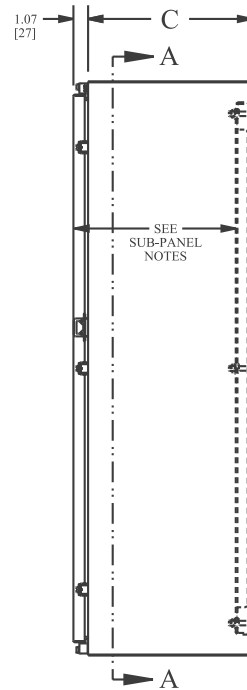
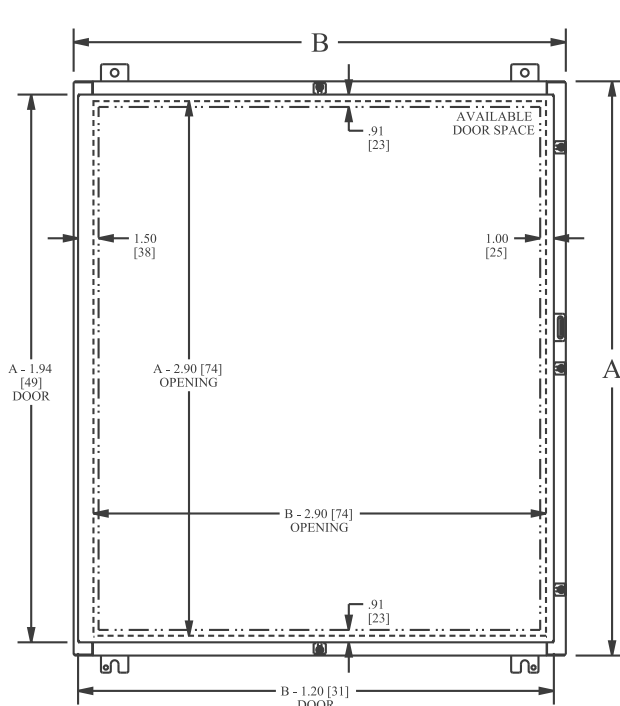
IS4 - Industry Standards -

NEMA Type 3R, 4, 12 & Type 13
UL Listed Type 3R, 4 & 12
CSA Type 3R, 4 & 12
IEC 60529 IP66

***Special Instructions apply for IS3, IS4 and IS6 to maintain the environmental rating of Type 3R for these parts. See the Special Instructions on the Industry Standards page in the Technical Information Section.

CLAMP FASTENED SINGLE-DOOR ENCLOSURES

TECHNICAL DATA



SECTION A-A

SUB-PANEL NOTES:

Dimensions are from the inside of the door
 C + .30 [8] for flat sub-panels
 C - .20 [5] for bent sub-panels

CLAMPING NOTES:

Enclosures < 27.00 [686] in height require two clamps on door.
 Enclosures >= 27.00 [686] in height require three clamps on door.
 Omit center clamp top and bottom of door when door width is <= 30.00 [762]

Phone (989) 799-6871
 Fax (989) 799-4524



1 Operator System Enclosures
 2 Wall-Mount Enclosures
 3 Free-Standing & Floor-Mounted Enclosures
 4 Modular Enclosures
 5 Operator System Enclosures (Stainless Steel)
 6 Wall-Mount Enclosures (Stainless Steel)
 7 Free-Standing & Floor-Mounted Enclosures (Stainless Steel)
 8 Non-Metallic Enclosures
 9 Accessories
 10 Technical Information
 11 Index

NOTES



Phone (989) 799-6871
Fax (989) 799-4524

- 1 Operator System Enclosures
- 2 Wall-Mount Enclosures
- 3 Free-Standing & Floor-Mounted Enclosures
- 4 Modular Enclosures
- 5 Operator System Enclosures (Stainless Steel)
- 6 Wall-Mount Enclosures (Stainless Steel)
- 7 Free-Standing & Floor-Mounted Enclosures (Stainless Steel)
- 8 Non-Metallic Enclosures
- 9 Accessories
- 10 Technical Information
- 11 Index

Enviroline® Series Wall-Mount Two-Door Enclosures With 3-Point Hardware

Application -

Designed to house electrical and electronic controls, instrumentation and components. For installation information, consult our Installation Manual at www.saginawcontrol.com. For outdoor applications a drip shield is recommended.

Construction -

- 0.075" carbon steel.
- Seams continuously welded and ground smooth.
- Flange trough collar around all sides of door opening.
- Collar studs provided for mounting optional sub-panels.
- Removable center posts permit easy sub-panel installation.
- Mounting holes in back of the enclosure for wall mounting.
- Mounting hardware, sealing washers and hole plugs included.
- Concealed hinges.
- Removable and interchangeable doors.
- Black keylocking/padlocking handles.
- 3-point latching mechanism.
- Removable print pocket.
- Oil & water resistant gasket.
- Ground stud on door and body.

Options -

Optional mounting foot kit available (SCE-ELMFK6).

Finish -

ANSI-61 gray powder coated inside and out. Optional sub-panels powder coated white.

Notes -

Mechanical Interlock not for use in Enclosures 24" in height.

IS4 - Industry Standards -

NEMA Type 3R, 4, 12 & Type 13
UL Listed Type 3R, 4 & 12
CSA Type 3R, 4 & 12
IEC 60529 IP66

***Special Instructions apply for IS3, IS4 and IS6 to maintain the environmental rating of Type 3R for these parts. See the Special Instructions on the Industry Standards page in the Technical Information Section.

ENVIROLINE® SERIES WALL-MOUNT TWO-DOOR ENCLOSURES WITH 3-POINT HARDWARE

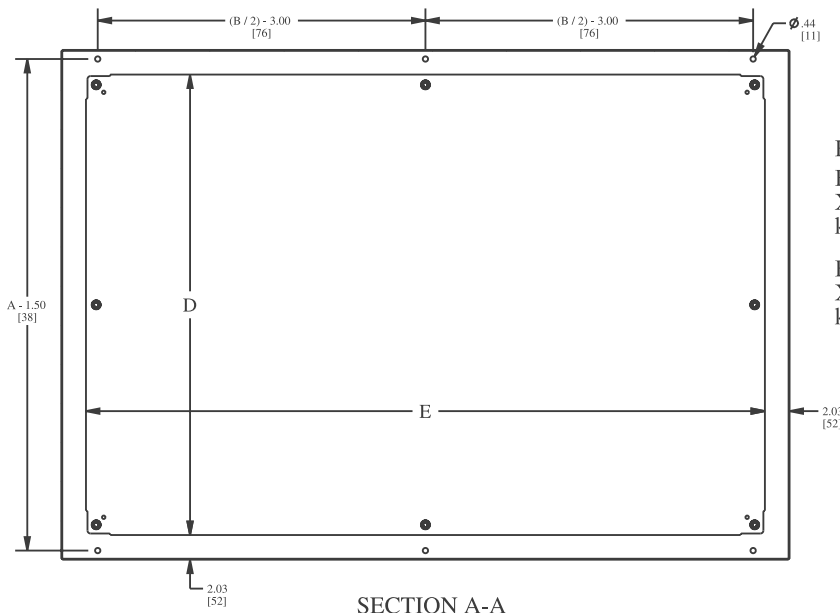
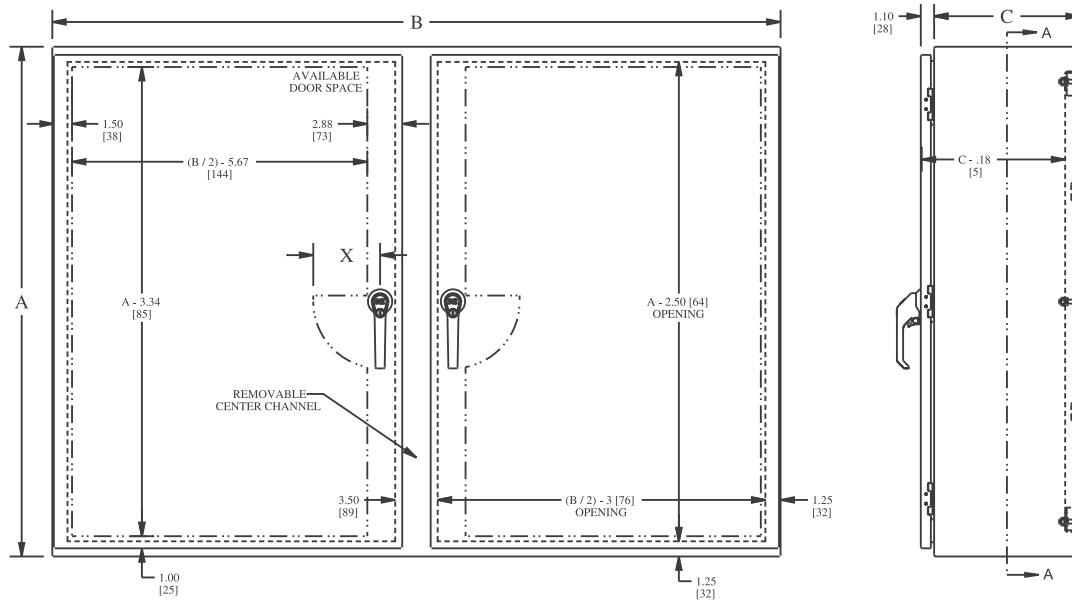
ENCLOSURE PRODUCT CODE A4						SUB-PANEL (P3)			
Catalog No.	Height (A)	Width (B)	Depth (C)	Industry Standard	List Price	Catalog No.	Panel Height (D)	Panel Width (E)	List Price
SCE-24EL4210WFLP	24.00	42.00	10.00	IS4	821.92	SCE-42P24	39.00	21.00	91.14
SCE-24EL4810WFLP	24.00	48.00	10.00	IS4	854.84	SCE-48P24	45.00	21.00	98.74
SCE-30EL4210WFLP	30.00	42.00	10.00	IS4	866.84	SCE-42P30	39.00	27.00	116.47
SCE-30EL4810WFLP	30.00	48.00	10.00	IS4	954.91	SCE-48P30	45.00	27.00	129.13
SCE-30EL6010WFLP	30.00	60.00	10.00	IS4	1,055.50	SCE-60P30	57.00	27.00	159.52
SCE-36EL4216WFLP	36.00	42.00	16.00	IS4	1,047.13	SCE-42P36	39.00	33.00	136.72
SCE-36EL4812WFLP	36.00	48.00	12.00	IS4	1,101.45	SCE-48P36	45.00	33.00	154.46
SCE-36EL6012WFLP	36.00	60.00	12.00	IS4	1,223.32	SCE-60P36	57.00	33.00	189.89
SCE-42EL4212WFLP	42.00	42.00	12.00	IS4	1,166.94	SCE-42P42	39.00	39.00	156.97
SCE-42EL4812WFLP	42.00	48.00	12.00	IS4	1,273.68	SCE-48P42	45.00	39.00	177.24
SCE-42EL6012WFALP	42.00	60.00	12.00	IS4	1,420.06	SCE-60BFP42	56.00	38.00	230.41
SCE-48EL4812WFLP	48.00	48.00	12.00	IS4	1,383.23	SCE-48P48	44.00	44.00	212.67



Phone (989) 799-6871
Fax (989) 799-4524



ENVIROLINE® SERIES WALL-MOUNT TWO-DOOR ENCLOSURES WITH 3-POINT HARDWARE TECHNICAL DATA



HANDLE NOTES:

Enclosures ≤ 42.00 [1067] in height
X = 5.50 [140] and uses 5.00 [127]
key-locking/padlocking handle.

Enclosures > 42.00 [1067] in height
X = 6.75 [171] and uses 7.00 [178]
key-locking/padlocking handle.



Phone (989) 799-6871
Fax (989) 799-4524

Your Enclosure Source®

- 1 Operator System Enclosures
- 2 Wall-Mount Enclosures
- 3 Free-Standing & Floor-Mounted Enclosures
- 4 Modular Enclosures
- 5 Operator System Enclosures (Stainless Steel)
- 6 Wall-Mount Enclosures (Stainless Steel)
- 7 Free-Standing & Floor-Mounted Enclosures (Stainless Steel)
- 8 Non-Metallic Enclosures
- 9 Accessories
- 10 Technical Information
- 11 Index

Overlapping Two-Door Wall-Mount Enclosures

Application -

Designed to house electrical and electronic controls, instruments and components. Provides protection from dust, oil and water. For outdoor application a drip shield and drain holes are required. For installation information, consult our Installation Manual at www.saginawcontrol.com.

Construction -

- 0.075" carbon steel.
- Seams continuously welded and ground smooth, no holes or knockouts.
- Flange trough collar around all sides of door opening.
- Gasketed overlapping doors eliminate need for center post.
- Black zinc die cast keylocking/padlocking handle.
- 3-point latching mechanism.
- Latch rods have ramp shoes for easier door closing.
- Concealed hinges.
- Removable and interchangeable doors.
- Removable print pocket provided on door with 3-point latch.
- Oil resistant door gasket.
- Collar studs for mounting optional sub-panel.
- Ground stud on door and body.
- Mounting hardware, sealing washers and hole plugs included.

Options -

Optional mounting foot kit available (SCE-ELMFK6).

Finish -

ANSI-61 gray powder coated inside and out. Optional sub-panels powder coated white.

IS3 - Industry Standards -

NEMA Type 3R, 12 & Type 13
UL Listed Type 3R & 12
CSA Type 3R & 12
IEC 60529 IP66

***Special Instructions apply for IS3, IS4 and IS6 to maintain the environmental rating of Type 3R for these parts. See the Special Instructions on the Industry Standards page in the Technical Information Section.

OVERLAPPING TWO-DOOR WALL-MOUNT ENCLOSURES

ENCLOSURE PRODUCT CODE A4						SUB-PANEL (P3)			
Catalog No.	Height (A)	Width (B)	Depth (C)	Industry Standard	List Price	Catalog No.	Panel Height (D)	Panel Width (E)	List Price
SCE-244208WFLP	24.00	42.00	8.00	IS3	531.50	SCE-42P24	39.00	21.00	91.14
SCE-244808WFLP	24.00	48.00	8.00	IS3	576.22	SCE-48P24	45.00	21.00	98.74
SCE-244812WFLP	24.00	48.00	12.00	IS3	615.84	SCE-48P24	45.00	21.00	98.74
SCE-304210WFLP	30.00	42.00	10.00	IS3	635.82	SCE-42P30	39.00	27.00	116.47
SCE-304810WFLP	30.00	48.00	10.00	IS3	690.46	SCE-48P30	45.00	27.00	129.13
SCE-306010WFLP	30.00	60.00	10.00	IS3	799.74	SCE-60P30	57.00	27.00	159.52
SCE-306012WFLP	30.00	60.00	12.00	IS3	861.12	SCE-60P30	57.00	27.00	159.52
SCE-364212WFLP	36.00	42.00	12.00	IS3	740.14	SCE-42P36	39.00	33.00	136.72
SCE-364216WFLP	36.00	42.00	16.00	IS3	805.15	SCE-42P36	39.00	33.00	136.72
SCE-364810WFLP	36.00	48.00	10.00	IS3	794.78	SCE-48P36	45.00	33.00	154.46
SCE-364812WFLP	36.00	48.00	12.00	IS3	807.20	SCE-48P36	45.00	33.00	154.46
SCE-364816WFLP	36.00	48.00	16.00	IS3	881.94	SCE-48P36	45.00	33.00	154.46
SCE-366012WFLP	36.00	60.00	12.00	IS3	941.31	SCE-60P36	57.00	33.00	189.89
SCE-366016WFLP	36.00	60.00	16.00	IS3	1,048.69	SCE-60P36	57.00	33.00	189.89
SCE-424212WFLP	42.00	42.00	12.00	IS3	817.12	SCE-42P42	39.00	39.00	156.97
SCE-424216WFLP	42.00	42.00	16.00	IS3	928.01	SCE-42P42	39.00	39.00	156.97
SCE-424812WFLP	42.00	48.00	12.00	IS3	891.63	SCE-48P42	45.00	39.00	177.24
SCE-424816WFLP	42.00	48.00	16.00	IS3	1,000.42	SCE-48P42	45.00	39.00	177.24
SCE-426012WFALP	42.00	60.00	12.00	IS3	1,040.65	SCE-60BFP42	56.00	38.00	230.41
SCE-426016WFALP	42.00	60.00	16.00	IS3	1,193.48	SCE-60BFP42	56.00	38.00	230.41
SCE-484812WFLP	48.00	48.00	12.00	IS3	973.60	SCE-48P48	44.00	44.00	212.67
SCE-484816WFLP	48.00	48.00	16.00	IS3	1,138.64	SCE-48P48	44.00	44.00	212.67

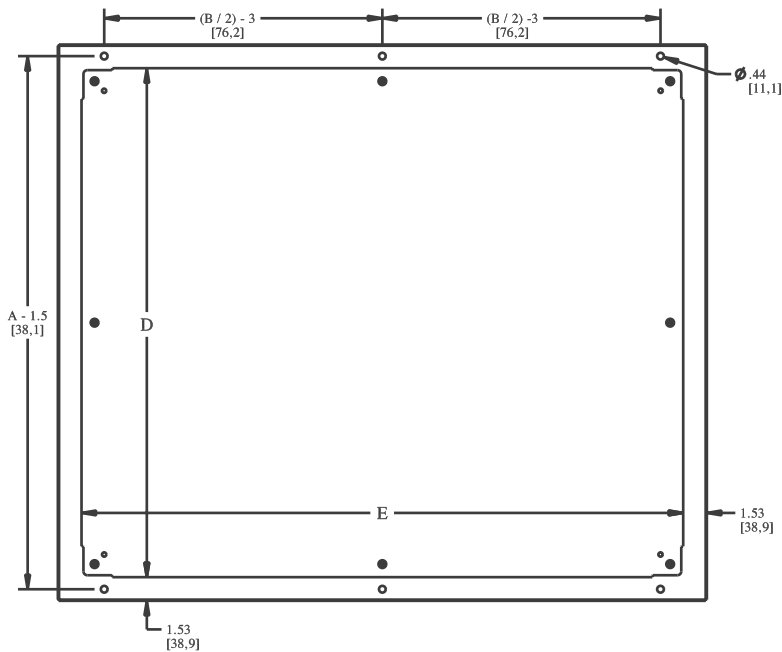
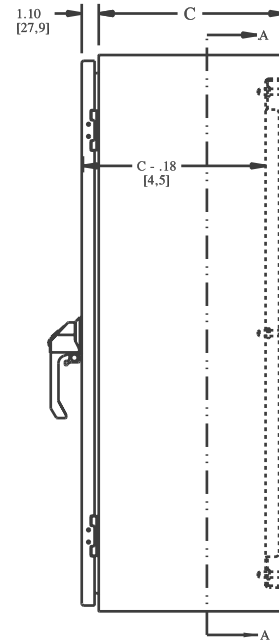
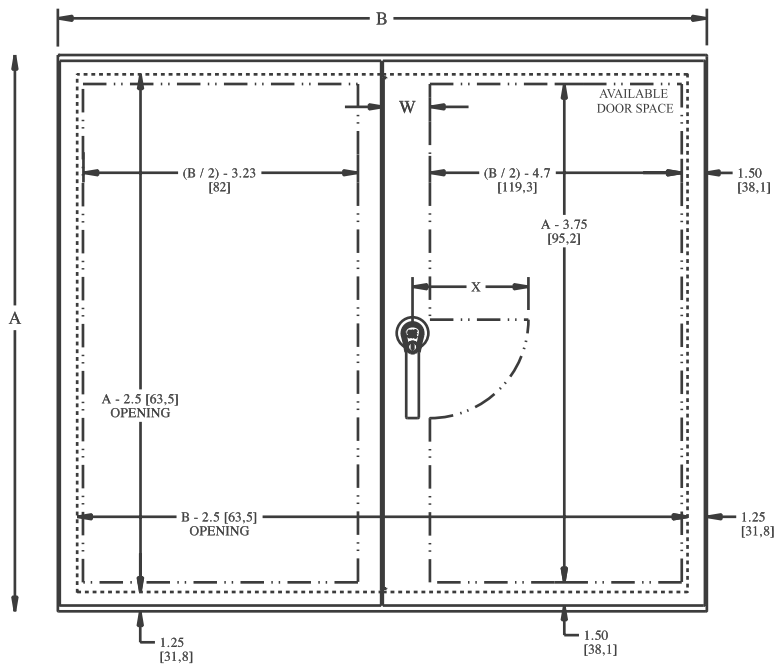


Phone (989) 799-6871
Fax (989) 799-4524



OVERLAPPING TWO-DOOR WALL-MOUNT ENCLOSURES

TECHNICAL DATA



SECTION A-A

HANDLE NOTES:

Enclosures ≤ 42.00 [1067] in height
 $X = 5.50$ [140] and uses 5.00 [127]
 key-locking/padlocking handle.

Enclosures > 42.00 [1067] in height
 $X = 6.75$ [171] and uses 7.00 [178]
 key-locking/padlocking handle

$W = 3.63$ [92,2] with 7.00 [177,8] handle

$W = 3.00$ [76,2] with 5.00 [127] handle

Enviroline® Series Single-Door Enclosures For Flange-Mounted Disconnects

Application -

Designed to house most standard type disconnects. For outdoor application a drip shield is recommended. For installation information, consult our Installation Manual at www.saginawcontrol.com.

Construction -

- 0.075" carbon steel.
- Seams continuously welded and ground smooth.
- Flange trough collar around all sides of door opening.
- Oil-resistant gasket.
- Collar studs provided for mounting optional sub-panels.
- Disconnect cutout provided on flange.
- Concealed hinges.
- Doors are interchangeable and easily removed by pulling hinge pins.
- 3-point latching mechanism.
- Latches are opened or closed with a screwdriver (optional tamper-resistant inserts are available).
- Mounting holes on back of enclosure.
- Mounting hardware, sealing washers, and hole plugs included.
- Ground studs on door and body.
- Removable print pocket.
- Black zinc die cast coinproof/padlocking handle.
- Provision for Lifting Lugs included on enclosures with Height >48" and with Depth >16". Lifting Lug assembly will be included with the enclosure bolt pack and hole plugs provided to seal holes in bottom of enclosure.

Disconnect switch (or circuit breaker) and operating mechanism are not furnished with this enclosure.

Finish -

ANSI-61 gray powder coated inside and out. Optional sub-panels powder coated white.

IS3 - Industry Standards -

NEMA Type 3R, 12 & Type 13
UL Listed Type 3R & 12
CSA Type 3R & 12
IEC 60529 IP55

IS4 - Industry Standards -

NEMA Type 3R, 4, 12 & Type 13
UL Listed Type 3R, 4 & 12
CSA Type 3R, 4 & 12
IEC 60529 IP66

***Special Instructions apply for IS3, IS4 and IS6 to maintain the environmental rating of Type 3R for these parts. See the Special Instructions on the Industry Standards page in the Technical Information Section.

ENVIROLINE® SERIES SINGLE-DOOR ENCLOSURES FOR FLANGE-MOUNTED DISCONNECTS

ENCLOSURES PRODUCT CODE E3						SUB-PANEL (P3)			
Catalog No.	Height (A)	Width (B)	Depth (C)	Industry Standard	List Price	Catalog No.	Panel Height (D)	Panel Width (E)	List Price
SCE-20XEL2108LP	20.00	21.38	8.00	IS4	349.36	SCE-20P20	17.00	17.00	35.44
SCE-20XEL2110LP	20.00	21.38	10.00	IS4	367.82	SCE-20P20	17.00	17.00	35.44
SCE-24XEL2108LP	24.00	21.38	8.00	IS4	376.43	SCE-24P20	21.00	17.00	45.57
SCE-24XEL2508LP	24.00	25.38	8.00	IS4	405.95	SCE-24P24	21.00	21.00	53.18
SCE-24XEL2510LP	24.00	25.38	10.00	IS4	425.65	SCE-24P24	21.00	21.00	53.18
SCE-30XEL2108LP	30.00	21.38	8.00	IS4	431.37	SCE-30P20	27.00	17.00	55.70
SCE-30XEL2508LP	30.00	25.38	8.00	IS4	450.25	SCE-30P24	27.00	21.00	63.29
SCE-30XEL2510LP	30.00	25.38	10.00	IS4	473.62	SCE-30P24	27.00	21.00	63.29
SCE-36XEL2508LP	36.00	25.38	8.00	IS4	496.98	SCE-36P24	33.00	21.00	75.96
SCE-36XEL2510LP	36.00	25.38	10.00	IS4	521.58	SCE-36P24	33.00	21.00	75.96
SCE-36XEL3108LP	36.00	31.38	8.00	IS4	554.81	SCE-36P30	33.00	27.00	101.27
SCE-36XEL3110LP	36.00	31.38	10.00	IS4	586.79	SCE-36P30	33.00	27.00	101.27
SCE-36XEL3112LP	36.00	31.38	12.00	IS4	618.78	SCE-36P30	33.00	27.00	101.27
SCE-36XEL3116LP	36.00	31.38	16.00	IS4	675.37	SCE-36P30	33.00	27.00	101.27
SCE-42XEL3110LP	42.00	31.38	10.00	IS4	642.15	SCE-42P30	39.00	27.00	116.47
SCE-42XEL3112LP	42.00	31.38	12.00	IS4	676.59	SCE-42P30	39.00	27.00	116.47
SCE-42XEL3116LP	42.00	31.38	16.00	IS4	735.64	SCE-42P30	39.00	27.00	116.47
SCE-42XEL3710LP	42.00	37.38	10.00	IS4	699.97	SCE-42P36	39.00	33.00	136.72
SCE-42XEL3712LP	42.00	37.38	12.00	IS4	752.87	SCE-42P36	39.00	33.00	136.72
SCE-42XEL3712LP12	0.00	0.00	0.00	#N/A!	0.00	SCE-42P36	39.00	33.00	136.72
SCE-42XEL3716LP	42.00	37.38	16.00	IS4	826.68	SCE-42P36	39.00	33.00	136.72
SCE-48XEL3710LP	48.00	37.38	10.00	IS4	778.70	SCE-48P36	45.00	33.00	154.46
SCE-48XEL3712LP	48.00	37.38	12.00	IS4	820.53	SCE-48P36	45.00	33.00	154.46
SCE-48XEL3712LP12	48.00	37.38	12.00	IS3	800.53	SCE-48P36	45.00	33.00	154.46
SCE-48XEL3716LP	48.00	37.38	16.00	IS4	889.41	SCE-48P36	45.00	33.00	154.46
SCE-60XEL3710LP	60.00	37.38	10.00	IS4	907.87	SCE-60P36	57.00	33.00	189.89
SCE-60XEL3712LP	60.00	37.38	12.00	IS4	953.38	SCE-60P36	57.00	33.00	189.89
SCE-60XEL3716LP	60.00	37.38	16.00	IS4	1,040.74	SCE-60P36	57.00	33.00	189.89
SCE-60XEL3716LP12	60.00	37.38	16.00	IS3	1,020.74	SCE-60P36	57.00	33.00	189.89

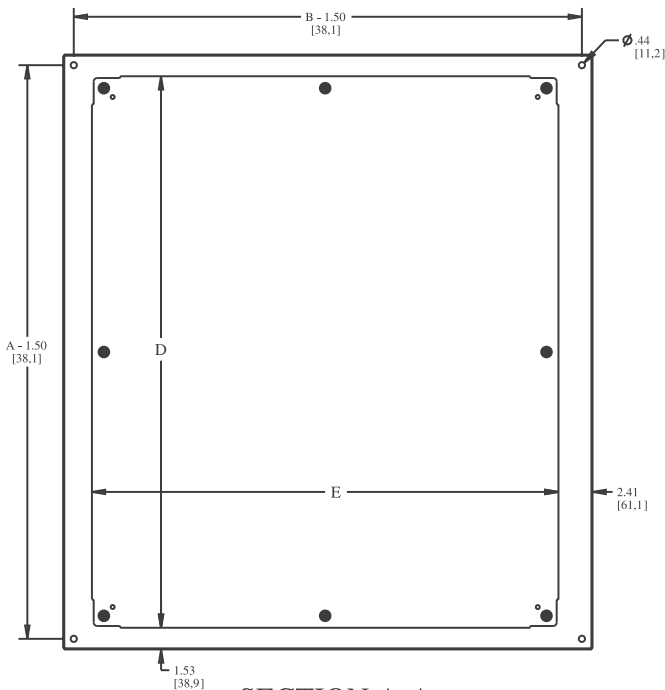
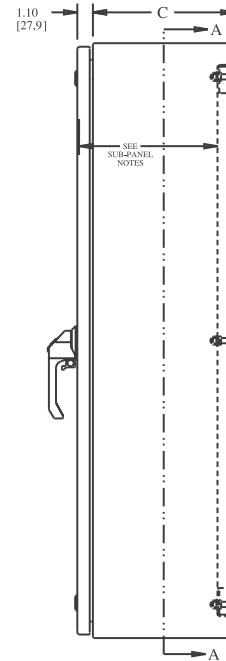
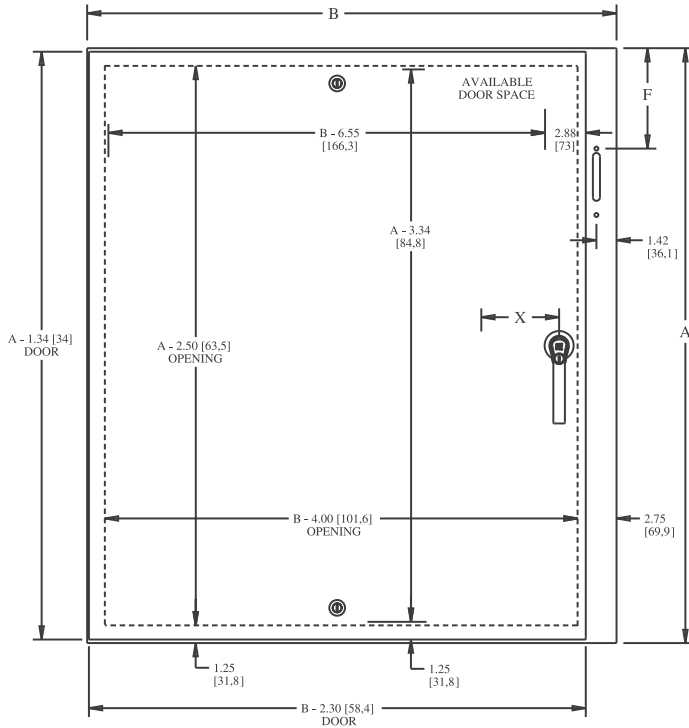
Part numbers that end in "LP12" omit center quarter turn latches on the top and bottom of the door.



Phone (989) 799-6871
Fax (989) 799-4524



ENVIROLINE® SERIES SINGLE-DOOR ENCLOSURES FOR FLANGE-MOUNTED DISCONNECTS TECHNICAL DATA



SECTION A-A

SUB-PANEL NOTES:
Dimensions are from the inside of the door.
C + .32 [8,1] for flat sub-panels
C - .18 [4,5] for bent sub-panels

DISCONNECT NOTES:
F = 4.75 [121] when C = 8.00 [203]
F = 7.09 [180] when C = 10.00 [254]
F = 11.62 [295] when C = 12.00 [304]
F = 11.62 [295] when C = 16.00 [406]
F = 18.38 [467] for SCE-60XEL3712LP4

LATCH NOTES:
Omit center latch top and bottom of door
when door width is ≤ 30.00 " [762]

HANDLE NOTES:
On enclosures ≤ 42.00 [1067]
X = 5.50 [140] and use 5.00 [127]
padlocking handle with coin-proof.

On enclosures > 42.00 [1067]
X = 6.75 [171] and use 7.00 [178]
padlocking handle with coin-proof.

Enclosures with a height dimension
 < 40.00 [1016] have a 2-point door
closing mechanism.

Enclosures with a height dimension of
 ≥ 40.00 [1016] have a 3-point door
latching mechanism.

CONSTRUCTION NOTES:
Door will be 0.125 [3,1] thick material
when enclosure height is ≥ 42.00 and
door width is > 24.00



Phone (989) 799-6871
Fax (989) 799-4524

Your Enclosure Source®

Enviroline® Series Single-Door Enclosures For Flange-Mounted Disconnects (RAL 7035)

Application -

Designed to house most standard type disconnects. For outdoor application a drip shield is recommended. For installation information, consult our Installation Manual at www.saginawcontrol.com.

Construction -

- 0.075" carbon steel.
- Seams continuously welded and ground smooth.
- Flange trough collar around all sides of door opening.
- Oil-resistant gasket.
- Collar studs provided for mounting optional sub-panels.
- Disconnect cutout provided on flange.
- Concealed hinges.
- Doors are interchangeable and easily removed by pulling hinge pins.
- 3-point latching mechanism.
- Latches are opened or closed with a screwdriver (optional tamper-resistant inserts are available).
- Mounting holes on back of enclosure.
- Mounting hardware, sealing washers, and hole plugs included.
- Ground studs on door and body.
- Removable print pocket.
- Black zinc die cast coinproof/padlocking handle.
- Provision for Lifting Lugs included on enclosures with Height >48" and with Depth >16". Lifting Lug assembly will be included with the enclosure bolt pack and hole plugs provided to seal holes in bottom of enclosure.

Disconnect switch (or circuit breaker) and operating mechanism are not furnished with this enclosure.

Finish -

RAL 7035 gray powder coated inside and out. Optional sub-panels powder coated white.

IS3 - Industry Standards -

NEMA Type 3R, 12 & Type 13
UL Listed Type 3R & 12
CSA Type 3R & 12
IEC 60529 IP55

IS4 - Industry Standards -

NEMA Type 3R, 4, 12 & Type 13
UL Listed Type 3R, 4 & 12
CSA Type 3R, 4 & 12
IEC 60529 IP66

***Special Instructions apply for IS3, IS4 and IS6 to maintain the environmental rating of Type 3R for these parts. See the Special Instructions on the Industry Standards page in the Technical Information Section.

ENVIROLINE® SERIES SINGLE-DOOR ENCLOSURES FOR FLANGE-MOUNTED DISCONNECTS - RAL 7035

ENCLOSURES PRODUCT CODE E3						SUB-PANEL (P3)			
Catalog No.	Height (A)	Width (B)	Depth (C)	Industry Standard	List Price	Catalog No.	Panel Height (D)	Panel Width (E)	List Price
SCE-20XEL2108LPLG	20.00	21.38	8.00	IS4	349.36	SCE-20P20	17.00	17.00	35.44
SCE-20XEL2110LPLG	20.00	21.38	10.00	IS4	367.82	SCE-20P20	17.00	17.00	35.44
SCE-24XEL2108LPLG	24.00	21.38	8.00	IS4	376.43	SCE-24P20	21.00	17.00	45.57
SCE-24XEL2508LPLG	24.00	25.38	8.00	IS4	405.95	SCE-24P24	21.00	21.00	53.18
SCE-24XEL2510LPLG	24.00	25.38	10.00	IS4	425.65	SCE-24P24	21.00	21.00	53.18
SCE-30XEL2108LPLG	30.00	21.38	8.00	IS4	431.37	SCE-30P20	27.00	17.00	55.70
SCE-30XEL2508LPLG	30.00	25.38	8.00	IS4	450.25	SCE-30P24	27.00	21.00	63.29
SCE-30XEL2510LPLG	30.00	25.38	10.00	IS4	473.62	SCE-30P24	27.00	21.00	63.29
SCE-36XEL2508LPLG	36.00	25.38	8.00	IS4	496.98	SCE-36P24	33.00	21.00	75.96
SCE-36XEL2510LPLG	36.00	25.38	10.00	IS4	521.58	SCE-36P24	33.00	21.00	75.96
SCE-36XEL3108LPLG	36.00	31.38	8.00	IS4	554.81	SCE-36P30	33.00	27.00	101.27
SCE-36XEL3110LPLG	36.00	31.38	10.00	IS4	586.79	SCE-36P30	33.00	27.00	101.27
SCE-36XEL3112LPLG	36.00	31.38	12.00	IS4	618.78	SCE-36P30	33.00	27.00	101.27
SCE-36XEL3116LPLG	36.00	31.38	16.00	IS4	675.37	SCE-36P30	33.00	27.00	101.27
SCE-42XEL3110LPLG	42.00	31.38	10.00	IS4	642.15	SCE-42P30	39.00	27.00	116.47
SCE-42XEL3112LPLG	42.00	31.38	12.00	IS4	676.59	SCE-42P30	39.00	27.00	116.47
SCE-42XEL3116LPLG	42.00	31.38	16.00	IS4	735.64	SCE-42P30	39.00	27.00	116.47
SCE-42XEL3710LPLG	42.00	37.38	10.00	IS4	699.97	SCE-42P36	39.00	33.00	136.72
SCE-42XEL3712LPLG	42.00	37.38	12.00	IS4	752.87	SCE-42P36	39.00	33.00	136.72
SCE-42XEL3712LP12LG	42.00	37.38	12.00	IS3	908.37	SCE-42P36	39.00	33.00	136.72
SCE-42XEL3716LPLG	42.00	37.38	16.00	IS4	826.68	SCE-42P36	39.00	33.00	136.72
SCE-48XEL3710LPLG	48.00	37.38	10.00	IS4	778.70	SCE-48P36	45.00	33.00	154.46
SCE-48XEL3712LPLG	48.00	37.38	12.00	IS4	820.53	SCE-48P36	45.00	33.00	154.46
SCE-48XEL3712LP12LG	48.00	37.38	12.00	IS3	800.53	SCE-48P36	45.00	33.00	154.46
SCE-48XEL3716LPLG	48.00	37.38	16.00	IS4	889.41	SCE-48P36	45.00	33.00	154.46
SCE-60XEL3710LPLG	60.00	37.38	10.00	IS4	907.87	SCE-60P36	57.00	33.00	189.89
SCE-60XEL3712LPLG	60.00	37.38	12.00	IS4	953.38	SCE-60P36	57.00	33.00	189.89
SCE-60XEL3716LPLG	60.00	37.38	16.00	IS4	1,040.74	SCE-60P36	57.00	33.00	189.89
SCE-60XEL3716LP12LG	60.00	37.38	16.00	IS3	1,020.74	SCE-60P36	57.00	33.00	189.89

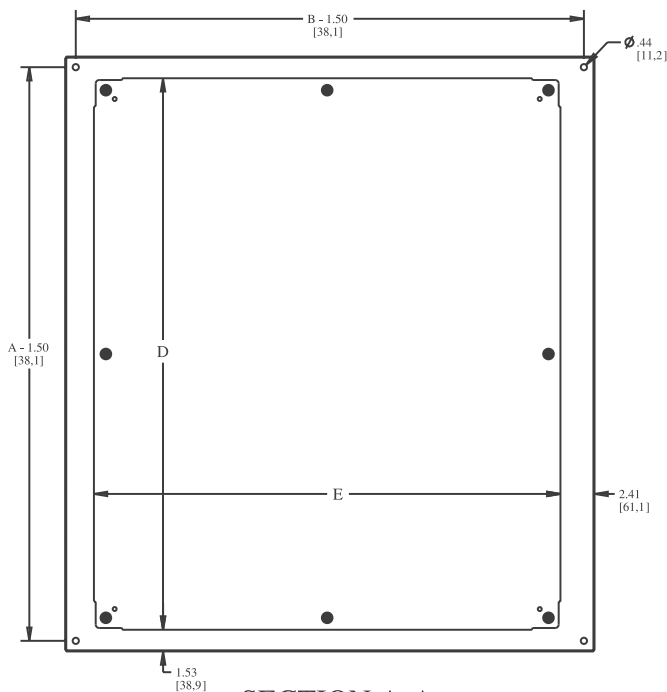
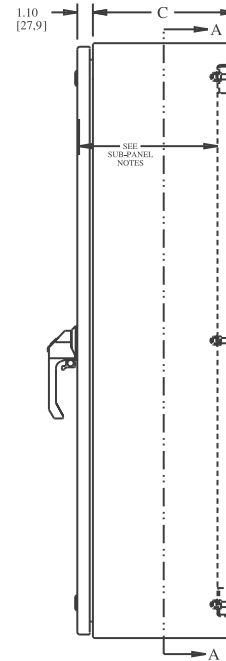
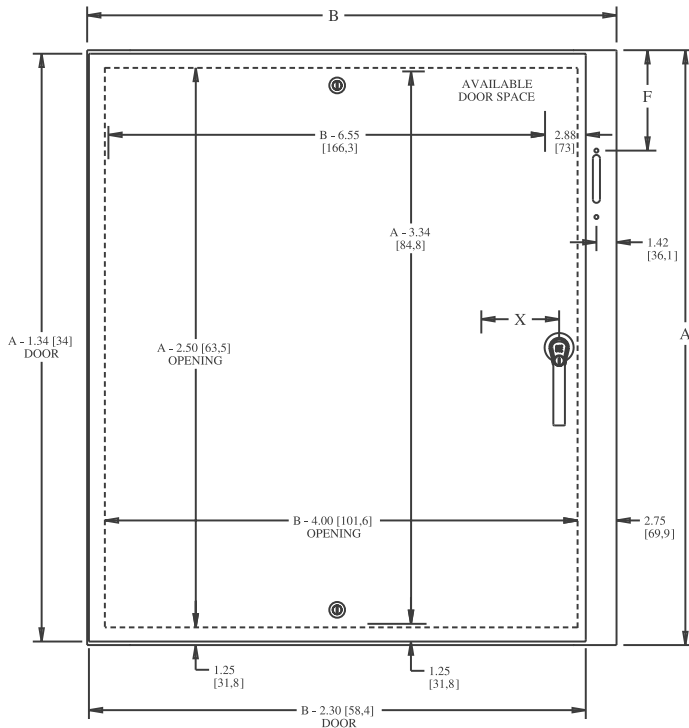
Part numbers that end in "LP12LG" omit center quarter turn latches on the top and bottom of the door.



Phone (989) 799-6871
Fax (989) 799-4524



ENVIROLINE® SERIES SINGLE-DOOR ENCLOSURES FOR FLANGE-MOUNTED DISCONNECTS - RAL 7035 TECHNICAL DATA



SECTION A-A

SUB-PANEL NOTES:
Dimensions are from the inside of the door.
C + .32 [8,1] for flat sub-panels
C - .18 [4,5] for bent sub-panels

DISCONNECT NOTES:
F = 4.75 [121] when C = 8.00 [203]
F = 7.09 [180] when C = 10.00 [254]
F = 11.62 [295] when C = 12.00 [304]
F = 11.62 [295] when C = 16.00 [406]
F = 18.38 [467] for SCE-60XEL3712LP4

LATCH NOTES:
Omit center latch top and bottom of door
when door width is ≤ 30.00 " [762]

HANDLE NOTES:
On enclosures ≤ 42.00 [1067]
X = 5.50 [140] and use 5.00 [127]
padlocking handle with coin-proof.

On enclosures > 42.00 [1067]
X = 6.75 [171] and use 7.00 [178]
padlocking handle with coin-proof.

Enclosures with a height dimension
 < 40.00 [1016] have a 2-point door
closing mechanism.

Enclosures with a height dimension of
 ≥ 40.00 [1016] have a 3-point door
latching mechanism.

CONSTRUCTION NOTES:
Door will be 0.125 [3,1] thick material
when enclosure height is ≥ 42.00 and
door width is > 24.00



Phone (989) 799-6871
Fax (989) 799-4524

Single-Door Enclosures For Flange-Mounted Disconnects with SCE Door Hardware

Application -

Designed to house most standard type disconnects. For outdoor application a drip shield is recommended. For installation information, consult our Installation Manual at www.saginawcontrol.com.

Construction -

- 0.075" carbon steel.
- Seams continuously welded and ground smooth.
- Flange trough collar around all sides of door opening.
- Concealed hinges.
- Removable print pocket.
- Oil-resistant gasket.
- Collar studs provided for mounting optional sub-panels.
- Cutouts provided in flange for mounting disconnect operating handle.
- Ground stud on door and body.
- 3-point latching mechanism.
- Black zinc die cast coinproof/padlocking handle.
- Welded mounting provision top and bottom of back.
- Provision for Lifting Lugs included on enclosures with Height >48" and with Depth >16". Lifting Lug assembly will be included with the enclosure bolt pack hole plugs provided to seal holes in bottom of enclosure.

Disconnect switch (or circuit breaker) and operating mechanism are not furnished with this enclosure.

Finish -

ANSI-61 gray powder coated inside and out. Optional sub-panels powder coated white.

IS3 - Industry Standards -

NEMA Type 3R, 12 & Type 13
UL Listed Type 3R & 12
CSA Type 3R & 12
IEC 60529 IP55

***Special Instructions apply for IS3, IS4 and IS6 to maintain the environmental rating of Type 3R for these parts. See the Special Instructions on the Industry Standards page in the Technical Information Section.

SINGLE-DOOR ENCLOSURES FOR FLANGE-MOUNTED DISCONNECTS WITH SCE DOOR HARDWARE

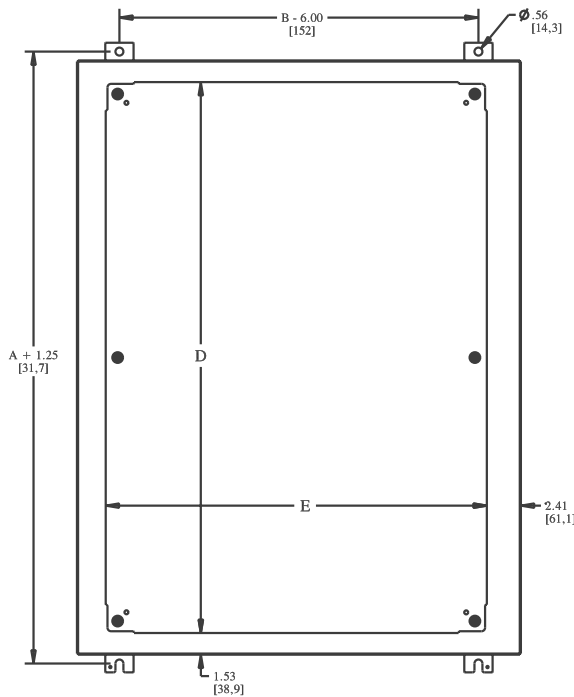
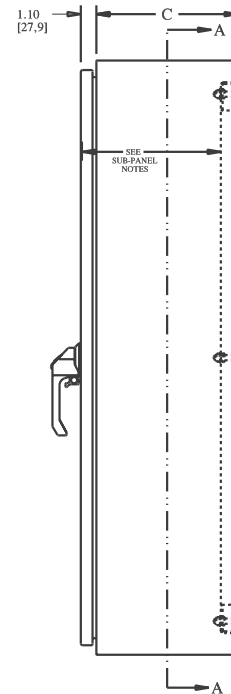
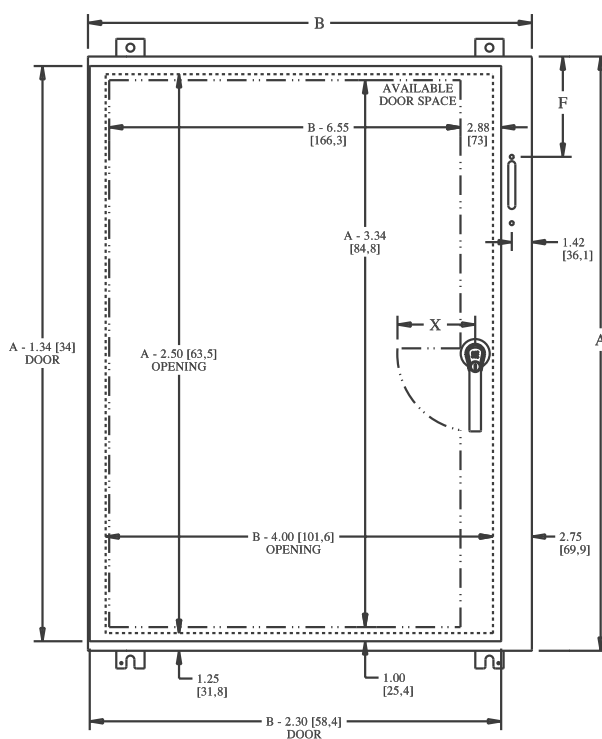
ENCLOSURE PRODUCT CODE A5						SUB-PANEL (P3)			
Catalog No.	Height (A)	Width (B)	Depth (C)	Industry Standard	List Price	Catalog No.	Panel Height (D)	Panel Width (E)	List Price
SCE-20SA2208LPPL	20.00	21.38	8.00	IS3	465.86	SCE-20P20	17.00	17.00	35.44
SCE-20SA2210LPPL	20.00	21.38	10.00	IS3	483.60	SCE-20P20	17.00	17.00	35.44
SCE-24SA2208LPPL	24.00	21.38	8.00	IS3	491.19	SCE-24P20	21.00	17.00	45.57
SCE-24SA2210LPPL	24.00	21.38	10.00	IS3	511.43	SCE-24P20	21.00	17.00	45.57
SCE-24SA2212LPPL	24.00	21.38	12.00	IS3	455.45	SCE-24P20	21.00	17.00	45.57
SCE-24SA2608LPPL	24.00	25.38	8.00	IS3	521.57	SCE-24P24	21.00	21.00	53.18
SCE-24SA2610LPPL	24.00	25.38	10.00	IS3	541.83	SCE-24P24	21.00	21.00	53.18
SCE-30SA2208LPPL	30.00	21.38	8.00	IS3	529.16	SCE-30P20	27.00	17.00	55.70
SCE-30SA2210LPPL	30.00	21.38	10.00	IS3	554.48	SCE-30P20	27.00	17.00	55.70
SCE-30SA2608LPPL	30.00	25.38	8.00	IS3	564.62	SCE-30P24	27.00	21.00	63.29
SCE-30SA2610LPPL	30.00	25.38	10.00	IS3	589.92	SCE-30P24	27.00	21.00	63.29
SCE-30SA2612LPPL	30.00	25.38	12.00	IS3	615.25	SCE-30P24	27.00	21.00	63.29
SCE-36SA2608LPPL	36.00	25.38	8.00	IS3	594.99	SCE-36P24	33.00	21.00	75.96
SCE-36SA2610LPPL	36.00	25.38	10.00	IS3	638.03	SCE-36P24	33.00	21.00	75.96
SCE-36SA3208LPPL	36.00	31.38	8.00	IS3	670.95	SCE-36P30	33.00	27.00	101.27
SCE-36SA3210LPPL	36.00	31.38	10.00	IS3	703.87	SCE-36P30	33.00	27.00	101.27
SCE-36SA3212LPPL	36.00	31.38	12.00	IS3	734.24	SCE-36P30	33.00	27.00	101.27
SCE-36SA3216LPPL	36.00	31.38	16.00	IS3	792.49	SCE-36P30	33.00	27.00	101.27
SCE-42SA3208LPPL	42.00	31.38	8.00	IS3	726.65	SCE-42P30	39.00	27.00	116.47
SCE-42SA3210LPPL	42.00	31.38	10.00	IS3	759.57	SCE-42P30	39.00	27.00	116.47
SCE-42SA3212LPPL	42.00	31.38	12.00	IS3	792.49	SCE-42P30	39.00	27.00	116.47
SCE-42SA3216LPPL	42.00	31.38	16.00	IS3	849.45	SCE-42P30	39.00	27.00	116.47
SCE-42SA3808LPPL	42.00	37.38	8.00	IS3	795.01	SCE-42P36	39.00	33.00	136.72
SCE-42SA3810LPPL	42.00	37.38	10.00	IS3	830.47	SCE-42P36	39.00	33.00	136.72
SCE-42SA3812LPPL	42.00	37.38	12.00	IS3	868.44	SCE-42P36	39.00	33.00	136.72
SCE-42SA3816LPPL	42.00	37.38	16.00	IS3	917.82	SCE-42P36	39.00	33.00	136.72
SCE-48SA2610LPPL	48.00	25.38	10.00	IS3	868.44	SCE-48P24	45.00	21.00	98.74
SCE-48SA3808LPPL	48.00	37.38	8.00	IS3	858.30	SCE-48P36	45.00	33.00	154.46
SCE-48SA3810LPPL	48.00	37.38	10.00	IS3	896.29	SCE-48P36	45.00	33.00	154.46
SCE-48SA3812LPPL	48.00	37.38	12.00	IS3	936.81	SCE-48P36	45.00	33.00	154.46
SCE-48SA3816LPPL	48.00	37.38	16.00	IS3	1,015.30	SCE-48P36	45.00	33.00	154.46
SCE-60SA3808LPPL	60.00	37.38	8.00	IS3	979.84	SCE-60P36	57.00	33.00	189.89
SCE-60SA3810LPPL	60.00	37.38	10.00	IS3	1,025.41	SCE-60P36	57.00	33.00	189.89
SCE-60SA3812LPPL	60.00	37.38	12.00	IS3	1,071.00	SCE-60P36	57.00	33.00	189.89
SCE-60SA3816LPPL	60.00	37.38	16.00	IS3	1,159.60	SCE-60P36	57.00	33.00	189.89



Phone (989) 799-6871
Fax (989) 799-4524



SINGLE-DOOR ENCLOSURES FOR FLANGE-MOUNTED DISCONNECTS TECHNICAL DATA



SECTION A-A

SUB-PANEL NOTES:

Dimensions are from the inside of the door
 $C + .32$ [8,1] for flat sub-panels
 $C - .18$ [4,5] for bent sub-panels

DISCONNECT NOTES:

$F = 4.75$ [121] when $C = 8.00$ [203]
 $F = 7.09$ [180] when $C = 10.00$ [254]
 $F = 11.62$ [295] when $C = 12.00$ [304]
 $F = 11.62$ [295] when $C = 16.00$ [406]
 $F = 18.38$ [467] for SCE-60SA3824LPPL

HANDLE NOTES:

On enclosures ≤ 42.00 [1067]
 $X = 5.50$ [140] and use 5.00 [127]
 padlocking handle with coin-proof.

On enclosures > 42.00 [1067]
 $X = 6.75$ [171] and use 7.00 [178]
 padlocking handle with coin-proof.

Enclosures with a height dimension < 40.00 [1016] have a 2-point door closing mechanism.

Enclosures with a height dimension of ≥ 40.00 [1016] have a 3-point door latching mechanism.

Clamp Fastened Single-Door Enclosures For Flange-Mounted Disconnects

Application -

Designed to house most standard type disconnects. For outdoor application a drip shield is recommended. For installation information, consult our Installation Manual at www.saginawcontrol.com.

Construction -

- 0.075" carbon steel.
- Seams continuously welded and ground smooth.
- Concealed hinges.
- Door clamps are quick and easy to operate.
- Flange trough collar around all sides of door opening.
- Interior print pocket.
- Collar studs provided for mounting optional sub-panels.
- Oil-resistant door gasket.
- Disconnect cutout provided on flange.
- Ground stud on door and body.
- No stiffener required.
- Welded mounting provision top and bottom of back.
- Provision for Lifting Lugs included on enclosures with Height >48" and with Depth >16". Lifting Lug assembly will be included with the enclosure bolt pack and hole plugs provided to seal holes in bottom of enclosure.

Disconnect switch (or circuit breaker) and operating mechanism are not furnished with this enclosure.

Finish -

ANSI-61 gray powder coated inside and out.
Optional sub-panels powder coated white.

IS4 - Industry Standards -

NEMA Type 3R, 4, 12 & Type 13
UL Listed Type 3R, 4 & 12
CSA Type 3R, 4 & 12
IEC 60529 IP66

***Special Instructions apply for IS3, IS4 and IS6 to maintain the environmental rating of Type 3R for these parts. See the Special Instructions on the Industry Standards page in the Technical Information Section.

CLAMP FASTENED SINGLE-DOOR ENCLOSURES FOR FLANGE-MOUNTED DISCONNECTS

ENCLOSURE PRODUCT CODE A3						SUB-PANEL (P3)			
Catalog No.	Height (A)	Width (B)	Depth (C)	Industry Standard	List Price	Catalog No.	Panel Height (D)	Panel Width (E)	List Price
SCE-24HS2108LP	24.00	21.38	8.00	IS4	456.48	SCE-24P20	21.00	17.00	45.57
SCE-24HS2508LP	24.00	25.38	8.00	IS4	494.10	SCE-24P24	21.00	21.00	53.18
SCE-30HS2508LP	30.00	25.38	8.00	IS4	546.77	SCE-30P24	27.00	21.00	63.29
SCE-36HS2508LP	36.00	25.38	8.00	IS4	601.95	SCE-36P24	33.00	21.00	75.96
SCE-36HS3108LP	36.00	31.38	8.00	IS4	677.19	SCE-36P30	33.00	27.00	101.27
SCE-36HS3112LP	36.00	31.38	12.00	IS4	749.93	SCE-36P30	33.00	27.00	101.27
SCE-42HS3112LP	42.00	31.38	12.00	IS4	822.67	SCE-42P30	39.00	27.00	116.47
SCE-42HS3712LP	42.00	37.38	12.00	IS4	915.47	SCE-42P36	39.00	33.00	136.72
SCE-48HS3712LP	48.00	37.38	12.00	IS4	995.72	SCE-48P36	45.00	33.00	154.46
SCE-60HS3712LP	60.00	37.38	12.00	IS4	1,158.75	SCE-60P36	57.00	33.00	189.89

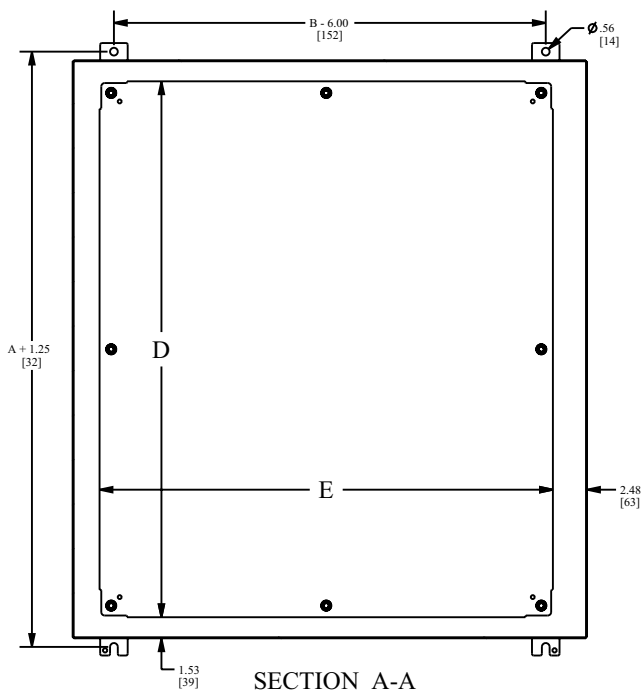
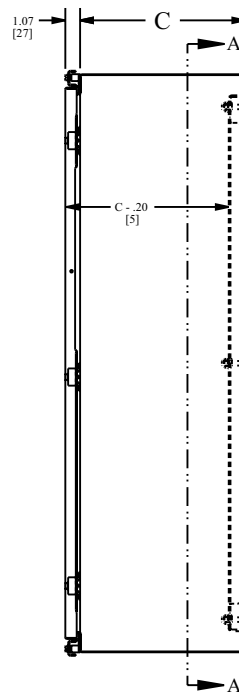
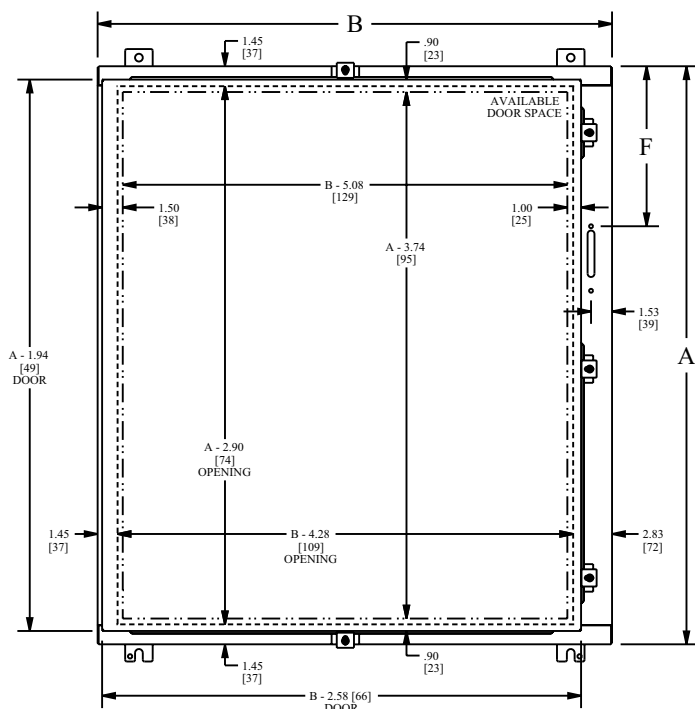


Phone (989) 799-6871
Fax (989) 799-4524



CLAMP FASTENED SINGLE-DOOR ENCLOSURES FOR FLANGE-MOUNTED DISCONNECTS

TECHNICAL DATA



DISCONNECT NOTES:

F = 8.63 [219] when C = 8.00 [203]
 F = 11.63 [295] when C = 12.00 [304]

CLAMPING NOTE:

Enclosures > 44.00 [1117] in height
 require a fourth clamp located vertically
 on the door.

Vented Type 3R Disconnect Enclosures

Application -

Designed to house electrical controls, drives, instruments and components used in an outdoor environment to provide a degree of protection for the equipment inside the enclosure against ingress of solid foreign objects (falling dirt); and provide a degree of protection with respect to the harmful effects on the equipment due to the ingress of water (rain, sleet, snow). Designed to house most standard disconnects. For installation information, consult our Installation Manual at www.saginawcontrol.com.

Construction -

- 0.075" galvanized steel.
- 3-point latching mechanism.
- Provisions for sub-panel.
- Doors open 180 degrees.
- Disconnect cutout provided on flange.
- Concealed hinges.
- Vented top hood with bug screen.
- Top mounted fans.
- Vented rain hood with filter kits in door.
- Din Rail mounting provisions inside top for installation of thermostat and terminals.
- Oil resistant gasket.
- Ground studs on door and body.
- Mounting holes for optional mounting straps.
- 3/8-16 grounding kit.
- Sub-panel mounting hardware included.
- 115 volt fan.
- Black zinc die cast coinproof/padlocking handle.

Disconnect switch (or circuit breaker) and operating mechanism are not furnished with this enclosure.

Finish -

White powder coated inside and out.
Optional sub-panels powder coated white.

IS7 - Industry Standards -

NEMA Type 3R
UL Listed Type 3R
CSA Type 3R
IEC 60529 IP32

VENTED TYPE 3R ENCLOSURES FOR FLANGE-MOUNTED DISCONNECT

ENCLOSURE PRODUCT CODE N3											
Catalog No.	Height (A)	Width (B)	Depth (C)	Fan Size	Fan Qty.	System CFM	Filter Size	Filter Qty.	Industry Standard	List Price	Sub-Panel
SCE-47XVR2514	47.00	25.38	14.00	10"	1	300	FLT66	2	IS7	1,217.47	SCE-42P24
SCE-53XVR3716	53.00	37.38	16.00	10"	1	300	FLT88	2	IS7	1,852.57	SCE-48P36
SCE-65XVR3716	65.00	37.38	16.00	10"	2	600	FLT88	2	IS7	2,073.52	SCE-60P36

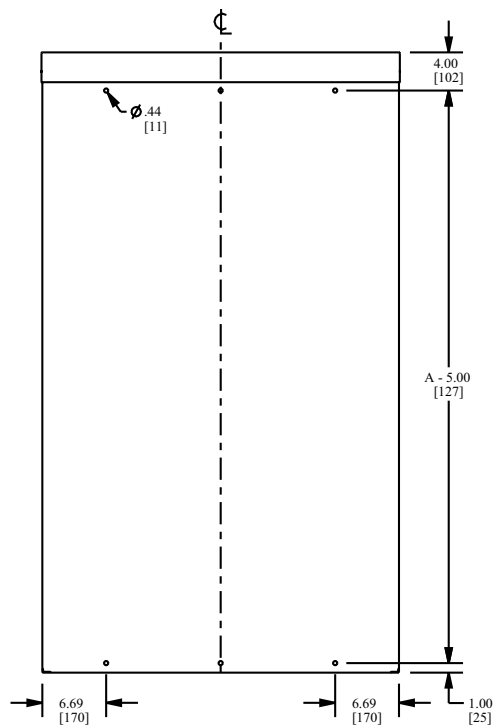
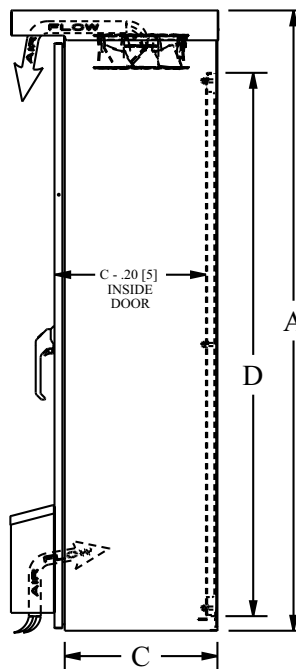
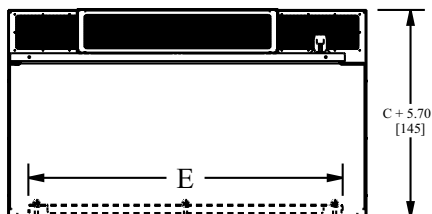
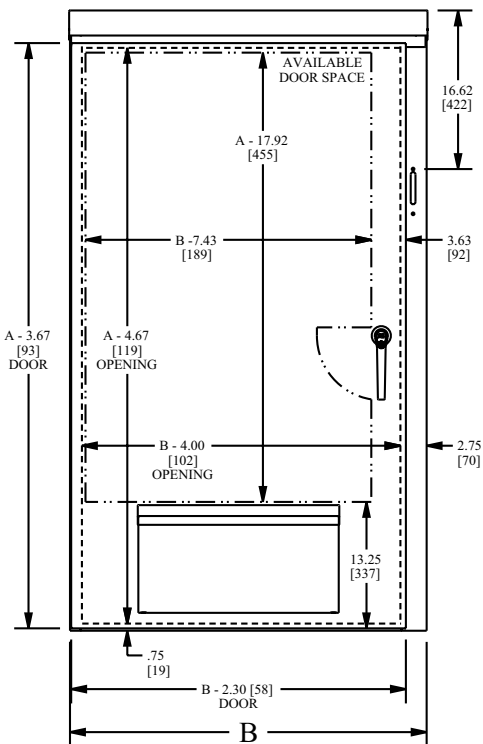


Phone (989) 799-6871
Fax (989) 799-4524



VENTED TYPE 3R DISCONNECT ENCLOSURES

TECHNICAL DATA



REAR OF ENCLOSURE

Vented Type 3R Enclosures

Application -

Designed to house electrical controls, drives, instruments and components used in an outdoor environment to provide a degree of protection for the equipment inside the enclosure against the ingress of solid foreign objects (falling dirt); and provide a degree of protection with respect to the harmful effects on the equipment due to the ingress of water (rain, sleet, snow). For installation information, consult our Installation Manual at www.saginawcontrol.com.

Construction -

- 0.075" galvanized steel.
- Black quarter turn latches and padlock wing knob.
- Provisions for sub-panel.
- Doors open 180 degrees.
- Concealed hinges.
- Vented top hood with bug screen.
- Top mounted fans.
- Vented rain hood with filter kits in door.
- Din Rail mounting provisions inside top for installation of thermostat and terminals.
- Oil resistant gasket.
- Ground studs on door and body.
- Mounting holes for optional mounting straps.
- 3/8-16 grounding kit.
- Sub-panel mounting hardware included.
- 115 volt fan.

Finish -

White powder coated inside and out. Optional sub-panels powder coated white.

IS7 - Industry Standards -

NEMA Type 3R
UL Listed Type 3R
CSA Type 3R
IEC 60529 IP32

VENTED TYPE 3R ENCLOSURES

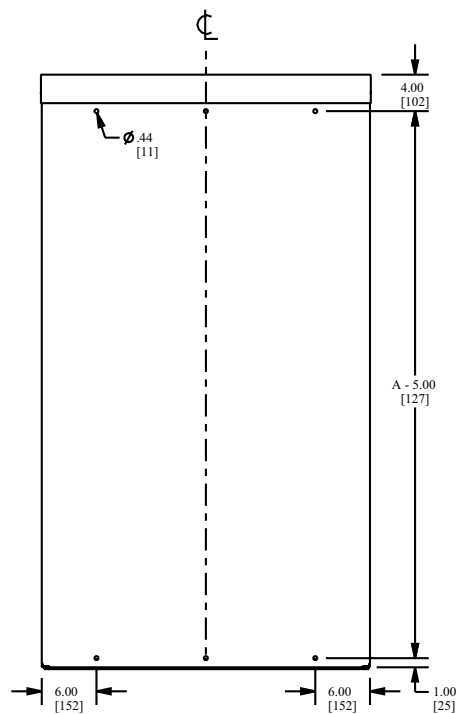
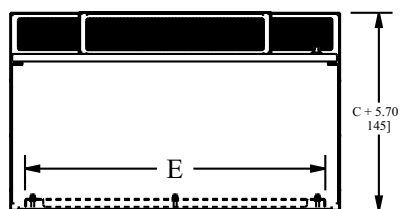
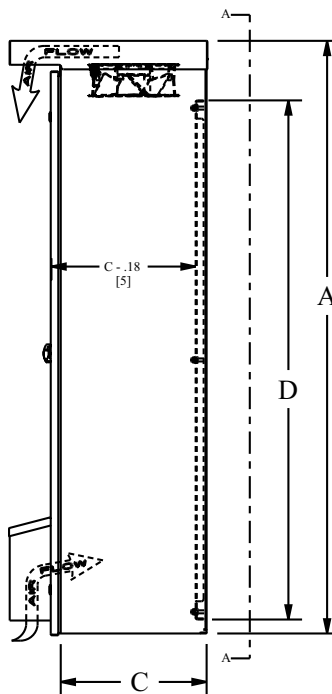
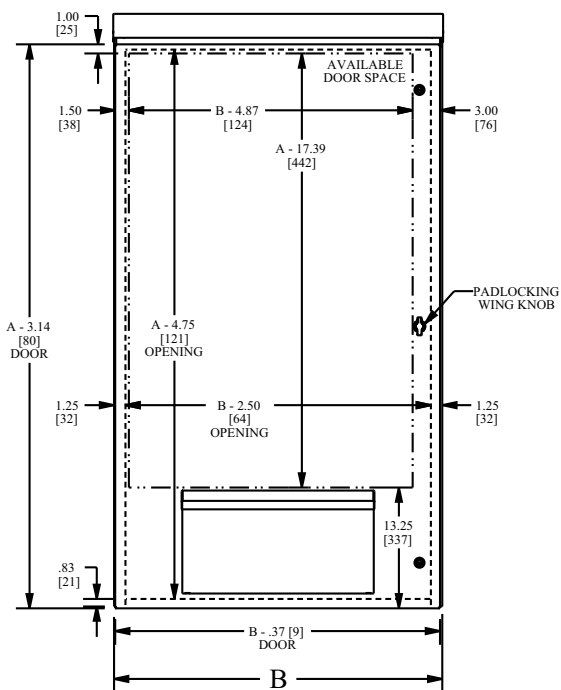
ENCLOSURE PRODUCT CODE N3											
Catalog No.	Height (A)	Width (B)	Depth (C)	Fan Size	Fan Qty.	System CFM	Filter Size	Filter Qty.	Industry Standard	List Price	Sub-Panel
SCE-29VR2412	29.00	24.00	12.00	6"	1	107	FLT66	2	IS7	672.08	SCE-24P24
SCE-29VR2416	29.00	24.00	16.00	6"	1	107	FLT66	2	IS7	741.77	SCE-24P24
SCE-35VR2412	35.00	24.00	12.00	6"	1	107	FLT66	2	IS7	751.88	SCE-30P24
SCE-41VR2412	41.00	24.00	12.00	6"	1	107	FLT66	2	IS7	850.26	SCE-36P24
SCE-47VR2414	47.00	24.00	14.00	10"	1	300	FLT66	2	IS7	1,027.03	SCE-42P24
SCE-53VR3616	53.00	36.00	16.00	10"	1	300	FLT88	2	IS7	1,652.13	SCE-48P36
SCE-65VR3616	65.00	36.00	16.00	10"	2	600	FLT88	2	IS7	1,868.78	SCE-60P36



Phone (989) 799-6871
Fax (989) 799-4524



VENTED TYPE 3R ENCLOSURES TECHNICAL DATA



VIEW A-A

Hinged Cover Type 3R Enclosures

Application -

Designed to house electrical controls, instruments and components in an outdoor environment. Protects against rain, sleet and snow. For installation information, consult our Installation Manual at www.saginawcontrol.com.

Construction -

- 0.048", 0.060" & 0.075" galvanized steel.
- Concealed hinges.
- Spot weld construction.
- Rain cap.
- Mounting holes in back of enclosure.
- Provisions for sub-panel.
- Black quarter turn latches.
- Doors open 180 degrees.
- Black quarter turn latch with padlocking provisions.
- Oil resistant gasket.
- Ground studs on door and body.
- 3/8-16 grounding kit.
- Sub-panel mounting hardware included.

Options -

Optional mounting straps or mounting foot kits available.

Finish -

ANSI-61 gray powder coated inside and out. Optional sub-panels powder coated white.

IS7 - Industry Standards -

NEMA Type 3R
UL Listed Type 3R
CSA Type 3R
IEC 60529 IP32

HINGED COVER TYPE 3R ENCLOSURES

ENCLOSURE PRODUCT CODE N3						SUB-PANEL (P3)			
Catalog No.	Height (A)	Width (B)	Depth (C)	Industry Standard	List Price	Catalog No.	Panel Height (D)	Panel Width (E)	List Price
SCE-12R1206LP	12.00	12.00	6.00	IS7	76.66	SCE-12DLP12	9.00	9.00	13.67
SCE-12R1208LP	12.00	12.00	8.00	IS7	80.71	SCE-12DLP12	9.00	9.00	13.67
SCE-16R1206LP	16.00	12.00	6.00	IS7	99.88	SCE-16P12	13.00	9.00	14.81
SCE-16R1208LP	16.00	12.00	8.00	IS7	104.67	SCE-16P12	13.00	9.00	14.81
SCE-20R1606LP	20.00	16.00	6.00	IS7	134.15	SCE-20P16	17.00	13.00	30.37
SCE-20R1608LP	20.00	16.00	8.00	IS7	140.54	SCE-20P16	17.00	13.00	30.37
SCE-24R2006LP	24.00	20.00	6.00	IS7	205.54	SCE-24P20	21.00	17.00	45.57
SCE-24R2008LP	24.00	20.00	8.00	IS7	215.39	SCE-24P20	21.00	17.00	45.57
SCE-24R2012LP	24.00	20.00	12.00	IS7	231.21	SCE-24P20	21.00	17.00	45.57
SCE-24R2016LP	24.00	20.00	16.00	IS7	250.38	SCE-24P20	21.00	17.00	45.57
SCE-24R2408LP	24.00	24.00	8.00	IS7	233.57	SCE-24P24	21.00	21.00	53.18
SCE-24R2412LP	24.00	24.00	12.00	IS7	249.82	SCE-24P24	21.00	21.00	53.18
SCE-24R2416LP	24.00	24.00	16.00	IS7	270.42	SCE-24P24	21.00	21.00	53.18
SCE-30R2408LP	30.00	24.00	8.00	IS7	284.18	SCE-30P24	27.00	21.00	63.29
SCE-30R2412LP	30.00	24.00	12.00	IS7	300.86	SCE-30P24	27.00	21.00	63.29
SCE-30R2416LP	30.00	24.00	16.00	IS7	322.06	SCE-30P24	27.00	21.00	63.29
SCE-36R2408LP	36.00	24.00	8.00	IS7	416.42	SCE-36P24	33.00	21.00	75.96
SCE-36R2412LP	36.00	24.00	12.00	IS7	435.69	SCE-36P24	33.00	21.00	75.96
SCE-36R2416LP	36.00	24.00	16.00	IS7	454.97	SCE-36P24	33.00	21.00	75.96
SCE-36R3008LP	36.00	30.00	8.00	IS7	442.40	SCE-36P30	33.00	27.00	101.27
SCE-36R3012LP	36.00	30.00	12.00	IS7	463.04	SCE-36P30	33.00	27.00	101.27
SCE-36R3016LP	36.00	30.00	16.00	IS7	482.10	SCE-36P30	33.00	27.00	101.27
SCE-42R3012LP	42.00	30.00	12.00	IS7	522.38	SCE-42P30	39.00	27.00	116.47
SCE-42R3016LP	42.00	30.00	16.00	IS7	549.06	SCE-42P30	39.00	27.00	116.47

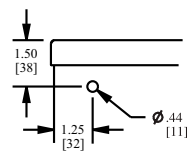
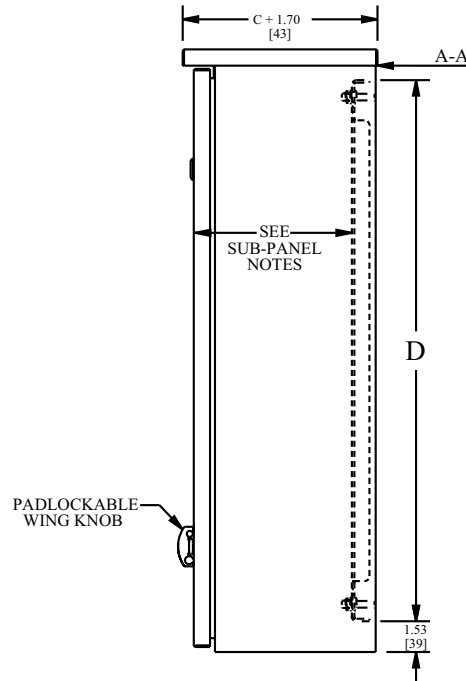
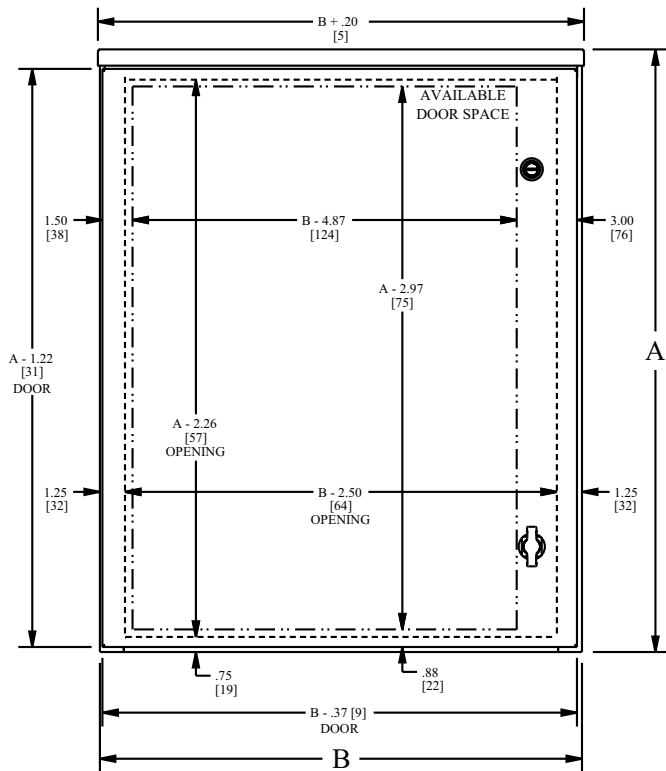


Phone (989) 799-6871
Fax (989) 799-4524

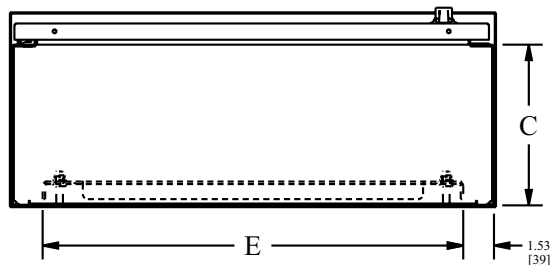


HINGED COVER TYPE 3R ENCLOSURES

TECHNICAL DATA



MOUNTING HOLES
TYPICAL 4 PLACES
DETAIL A-A



LATCH NOTES:

Enclosures < 24.00 [610] high require only one latch centered on door.

Enclosures \geq 24.00 [610] AND < 40.00 [1016] high require two latches on door

Enclosures \geq 40.00 [1016] high require three latches.

SUB-PANEL NOTES:

Dimensions are from the inside of the door

C + 0.32 [8] for flat sub-panels

C + 0.18 [5] for bent sub-panels



Phone (989) 799-6871
Fax (989) 799-4524

Screw Cover Type 3R Enclosures

Application -

Designed to house electrical controls, instruments and components in an outdoor environment. Protects against rain, sleet and snow. For installation information, consult our Installation Manual at www.saginawcontrol.com.

Construction -

- 0.048" & 0.063" galvanized steel.
- Spot weld construction.
- Rain cap.
- Mounting holes in back of enclosure.
- Slip on removable screw cover.
- Padlocking provisions.
- No gasket.
- No sub-panel or provisions.
- Ground studs on door and body.

Options -

Optional mounting straps available.

Finish -

ANSI-61 gray powder coated inside and out.

IS7 - Industry Standards -

NEMA Type 3R
UL Listed Type 3R
CSA Type 3R
IEC 60529 IP32



SCREW COVER TYPE 3R ENCLOSURES

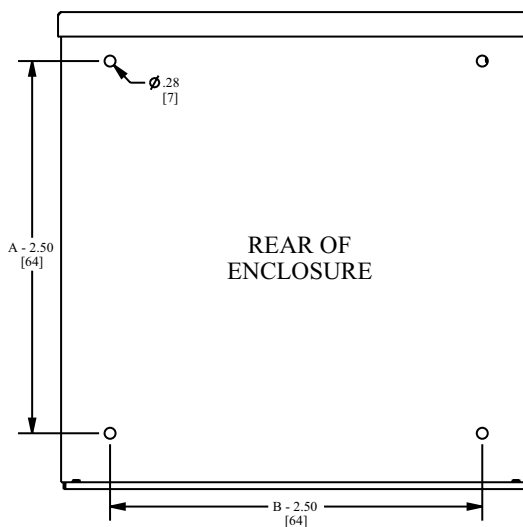
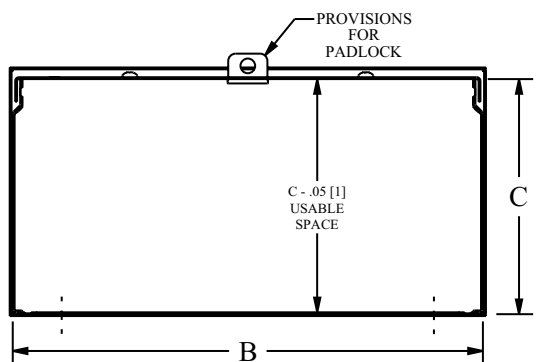
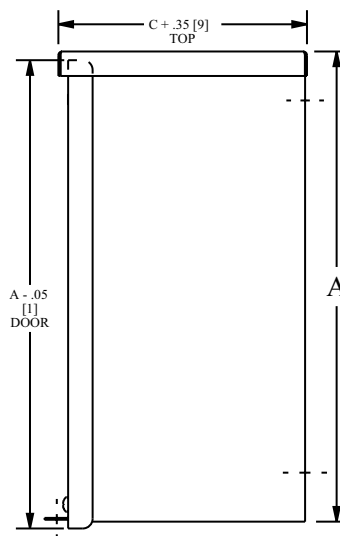
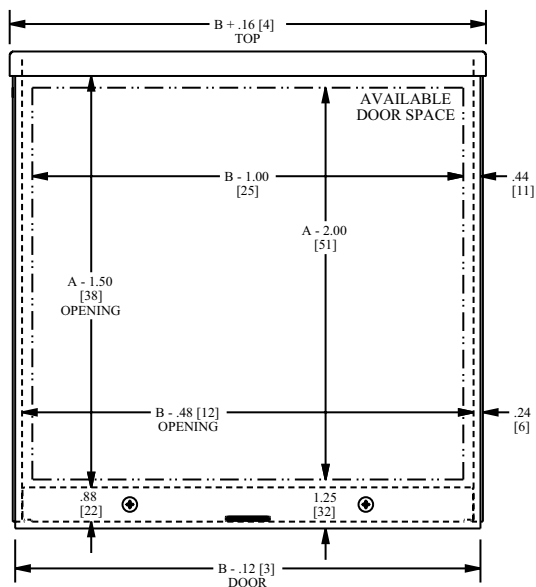
ENCLOSURE PRODUCT CODE N3					
Catalog No.	Height (A)	Width (B)	Depth (C)	Industry Standard	List Price
SCE-4R44	4.00	4.00	4.00	IS7	53.90
SCE-6R64	6.00	6.00	4.00	IS7	56.94
SCE-6R66	6.00	6.00	6.00	IS7	59.27
SCE-8R64	8.00	6.00	4.00	IS7	64.61
SCE-8R66	8.00	6.00	6.00	IS7	70.97
SCE-10R84	10.00	8.00	4.00	IS7	79.20
SCE-10R86	10.00	8.00	6.00	IS7	84.11
SCE-10R104	10.00	10.00	4.00	IS7	95.08
SCE-10R106	10.00	10.00	6.00	IS7	111.58
SCE-12R104	12.00	10.00	4.00	IS7	119.50
SCE-12R106	12.00	10.00	6.00	IS7	124.41
SCE-12R124	12.00	12.00	4.00	IS7	130.75
SCE-12R126	12.00	12.00	6.00	IS7	139.17

Phone (989) 799-6871
Fax (989) 799-4524



SCREW COVER TYPE 3R ENCLOSURES

TECHNICAL DATA



General Purpose Type 1 Enclosures

Application -

Designed to house electrical controls, instruments and components in areas that do not require oil, water and dust tight protection. For installation information, consult our Installation Manual at www.saginawcontrol.com.

Construction -

- 0.048", 0.060" & 0.075" carbon steel depending on its size.
- Spot weld construction.
- Standoffs provided for mounting optional sub-panels.
- Butt hinge.
- Doors open 180 degrees.
- Black quarter turn latches.
- Latches are opened or closed with a screwdriver.
- Ground stud on door and body.
- Mounting holes in back of enclosure.
- Sub-panel mounting hardware included.

Options -

- Tamper-resistant inserts available.
- Optional mounting straps available.

Finish -

ANSI-61 gray powder coated inside and out. Optional sub-panels powder coated white.

IS8 - Industry Standards -

NEMA Type 1
UL Listed Type 1
CSA Type 1
IEC 60529 IP30



GENERAL PURPOSE TYPE 1 ENCLOSURES

ENCLOSURE PRODUCT CODE N1						SUB-PANEL (N1)			
Catalog No.	Height (A)	Width (B)	Depth (C)	Industry Standard	List Price	Catalog No.	Panel Height (D)	Panel Width (E)	List Price
SCE-6N604LP	6.00	6.00	4.00	IS8	30.27	SCE-6N6MP	4.00	4.00	2.82
SCE-8N604LP	8.00	6.00	4.00	IS8	33.04	SCE-8N6MP	6.00	4.00	3.26
SCE-8N804LP	8.00	8.00	4.00	IS8	36.68	SCE-8N8MP	6.00	6.00	3.82
SCE-8N806LP	8.00	8.00	6.00	IS8	41.28	SCE-8N8MP	6.00	6.00	3.82
SCE-10N804LP	10.00	8.00	4.00	IS8	40.29	SCE-10N8MP	8.00	6.00	4.46
SCE-10N806LP	10.00	8.00	6.00	IS8	45.52	SCE-10N8MP	8.00	6.00	4.46
SCE-10N1004LP	10.00	10.00	4.00	IS8	40.92	SCE-10N10MP	8.00	8.00	5.27
SCE-10N1006LP	10.00	10.00	6.00	IS8	50.23	SCE-10N10MP	8.00	8.00	5.27
SCE-12N1004LP	12.00	10.00	4.00	IS8	48.44	SCE-12N10MP	10.00	8.00	6.03
SCE-12N1006LP	12.00	10.00	6.00	IS8	54.80	SCE-12N10MP	10.00	8.00	6.03
SCE-12N1204LP	12.00	12.00	4.00	IS8	53.05	SCE-12N12MP	10.00	10.00	7.10
SCE-12N1206LP	12.00	12.00	6.00	IS8	60.13	SCE-12N12MP	10.00	10.00	7.10
SCE-12N1208LP	12.00	12.00	8.00	IS8	67.14	SCE-12N12MP	10.00	10.00	7.10
SCE-14N1204LP	14.00	12.00	4.00	IS8	57.79	SCE-14N12MP	12.00	10.00	7.92
SCE-14N1206LP	14.00	12.00	6.00	IS8	65.46	SCE-14N12MP	12.00	10.00	7.92
SCE-14N1208LP	14.00	12.00	8.00	IS8	73.08	SCE-14N12MP	12.00	10.00	7.92
SCE-16N1206LP	16.00	12.00	6.00	IS8	98.04	SCE-16N12MP	14.00	10.00	11.58
SCE-16N1208LP	16.00	12.00	8.00	IS8	106.84	SCE-16N12MP	14.00	10.00	11.58
SCE-16N1606LP	16.00	16.00	6.00	IS8	109.57	SCE-16N16MP	14.00	14.00	19.21
SCE-16N1608LP	16.00	16.00	8.00	IS8	119.19	SCE-16N16MP	14.00	14.00	19.21
SCE-16N2006LP	16.00	20.00	6.00	IS8	121.09	SCE-20N16MP	18.00	14.00	21.62
SCE-20N1606LP	20.00	16.00	6.00	IS8	121.09	SCE-20N16MP	18.00	14.00	21.62
SCE-20N1608LP	20.00	16.00	8.00	IS8	132.41	SCE-20N16MP	18.00	14.00	21.62
SCE-20N2006LP	20.00	20.00	6.00	IS8	132.99	SCE-20N20MP	18.00	18.00	27.84
SCE-20N2008LP	20.00	20.00	8.00	IS8	145.52	SCE-20N20MP	18.00	18.00	27.84
SCE-20N2010LP	20.00	20.00	10.00	IS8	158.06	SCE-20N20MP	18.00	18.00	27.84
SCE-24N1606LP	24.00	16.00	6.00	IS8	131.91	SCE-24N16MP	22.00	14.00	22.89
SCE-24N2006LP	24.00	20.00	6.00	IS8	147.17	SCE-24N20MP	22.00	18.00	31.67
SCE-24N2008LP	24.00	20.00	8.00	IS8	161.03	SCE-24N20MP	22.00	18.00	31.67
SCE-24N2010LP	24.00	20.00	10.00	IS8	174.83	SCE-24N20MP	22.00	18.00	31.67
SCE-24N2406LP	24.00	24.00	6.00	IS8	149.12	SCE-24N24MP	22.00	22.00	36.97
SCE-24N2408LP	24.00	24.00	8.00	IS8	164.32	SCE-24N24MP	22.00	22.00	36.97
SCE-24N2412LP	24.00	24.00	12.00	IS8	194.33	SCE-24N24MP	22.00	22.00	36.97
SCE-30N2406LP	30.00	24.00	6.00	IS8	165.84	SCE-30N24MP	28.00	22.00	43.99
SCE-30N2408LP	30.00	24.00	8.00	IS8	184.23	SCE-30N24MP	28.00	22.00	43.99
SCE-30N2412LP	30.00	24.00	12.00	IS8	216.79	SCE-30N24MP	28.00	22.00	43.99
SCE-30N3008LP	30.00	30.00	8.00	IS8	207.99	SCE-30N30MP	28.00	28.00	58.07
SCE-36N2406LP	36.00	24.00	6.00	IS8	192.87	SCE-36N24MP	34.00	22.00	52.80
SCE-36N2408LP	36.00	24.00	8.00	IS8	211.73	SCE-36N24MP	34.00	22.00	52.80
SCE-36N2412LP	36.00	24.00	12.00	IS8	245.16	SCE-36N24MP	34.00	22.00	52.80
SCE-36N3006LP	36.00	30.00	6.00	IS8	211.16	SCE-36N30MP	34.00	28.00	70.39
SCE-36N3008LP	36.00	30.00	8.00	IS8	231.98	SCE-36N30MP	34.00	28.00	70.39
SCE-36N3012LP	36.00	30.00	12.00	IS8	273.50	SCE-36N30MP	34.00	28.00	70.39

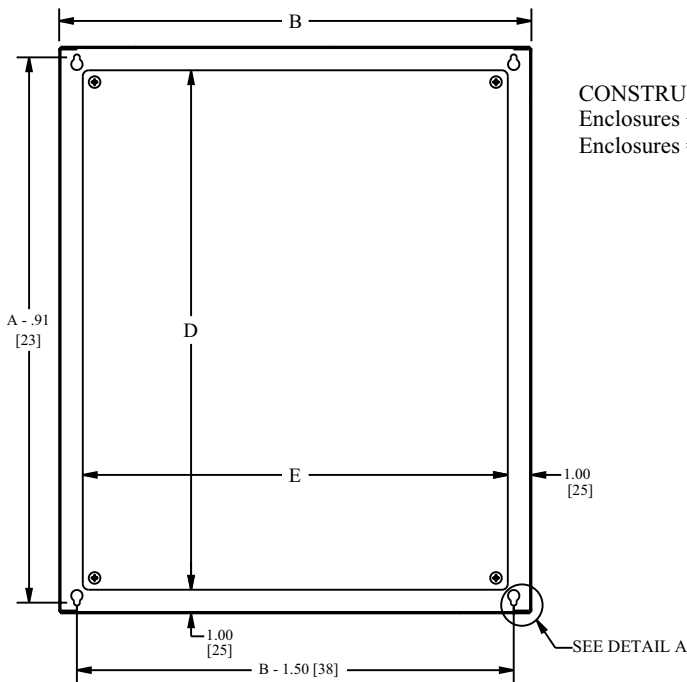
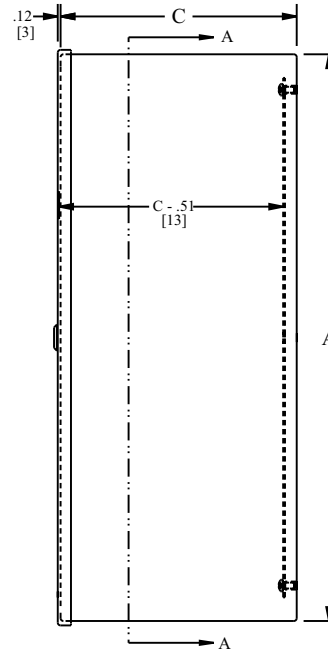
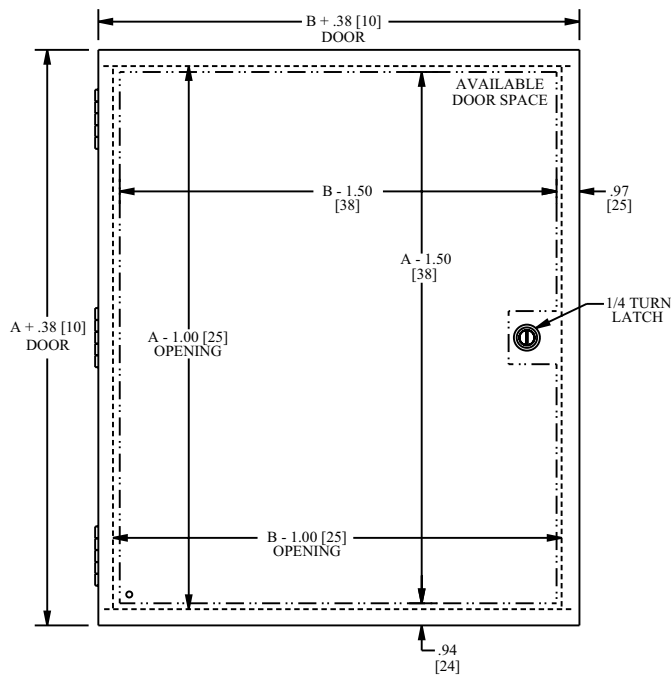
**Perforated sub-panels available in the accessory section.*

Phone (989) 799-6871
Fax (989) 799-4524

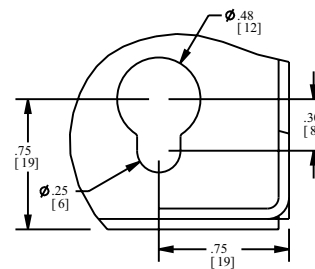


GENERAL PURPOSE TYPE 1 ENCLOSURES

TECHNICAL DATA



CONSTRUCTION NOTES:
 Enclosures < 24.00" [610] wide are made of 0.060" [2] material.
 Enclosures => 24.00" [610] wide are made of 0.075" [2] material.



DETAIL A

SECTION A-A

General Purpose Type 1 Enclosures with Knockouts

Application-

Designed to house electrical controls, instruments and components in areas that do not require oil, water and dust tight protection. For installation information, consult our Installation Manual at www.saginawcontrol.com.

Construction -

- 0.048", 0.063" & 0.075" carbon steel depending on its size.
- Spot weld construction.
- Knockouts provided in the top, bottom, right and left side.
- Standoffs provided for mounting optional sub-panels.
- Butt hinge.
- Doors open 180 degrees.
- Keylocking quarter turn latch.
- Ground stud on door and body.
- Mounting holes in back of enclosure.
- Sub-panel with 2" x 2" mounting grid pattern included.

Options -

Optional mounting feet available.

Finish -

Precaution Blue, Safety Orange or Taupe
Tan powder coat finish inside and out.
Sub-panels powder coated white.

IS8 - Industry Standards -

NEMA Type 1
UL Listed Type 1
CSA Type 1
IEC 60529 IP30

GENERAL PURPOSE TYPE 1 ENCLOSURES WITH KNOCKOUTS

ENCLOSURE PRODUCT CODE N1						SUB-PANEL (N1)		
Catalog No.	Height (A)	Width (B)	Depth (C)	Industry Standard	List Price	Panel Height (D)	Panel Width (E)	List Price
SCE-18N1606NK-T	18.00	16.00	6.00	IS8	128.86	16.006.00	14.00.00	Incl120.55
SCE-18N1606NK-B	18.00	16.00	6.00	IS8	128.86	16.006.00	14.00.00	Incl120.55
SCE-18N1606NK-O	18.00	16.00	6.00	IS8	128.86	16.006.00	14.00.00	Incl120.55
SCE-24N2006NK-T	24.00	20.00	6.00	IS8	152.30	22.002.00	18.00.00	Incl150.55
SCE-24N2006NK-B	24.00	20.00	6.00	IS8	152.30	22.002.00	18.00.00	Incl150.55
SCE-24N2006NK-O	24.00	20.00	6.00	IS8	152.30	22.002.00	18.00.00	Incl150.55
SCE-36N2406NK-T	36.00	24.00	6.00	IS8	234.30	34.004.00	22.00.00	Incl180.50
SCE-36N2406NK-B	36.00	24.00	6.00	IS8	234.30	34.004.00	22.00.00	Incl180.50

*NL - Non UL Listed 16 ga enclosures.

Note: Part Numbers ending in the letter:
(B) Precaution Blue
(O) RAL 8023 Orange
(T) Taupe Tan

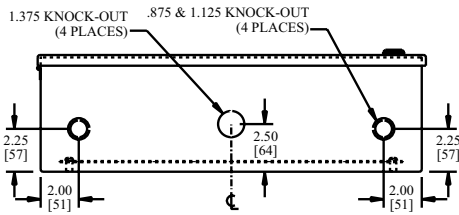
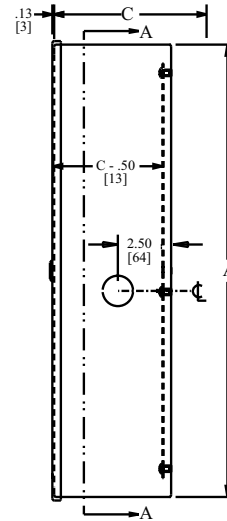
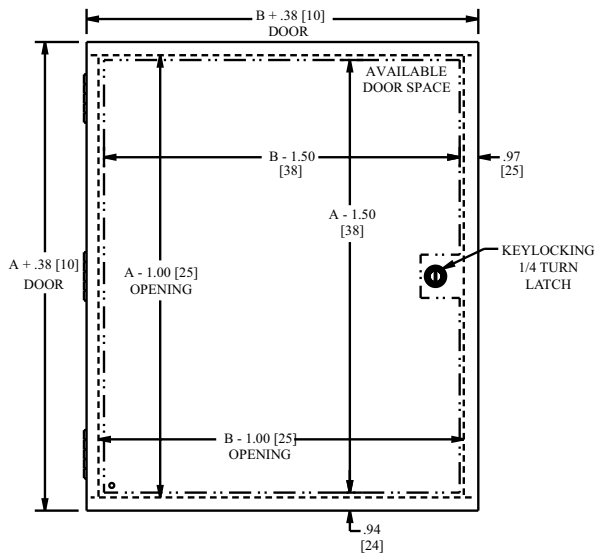


Phone (989) 799-6871
Fax (989) 799-4524

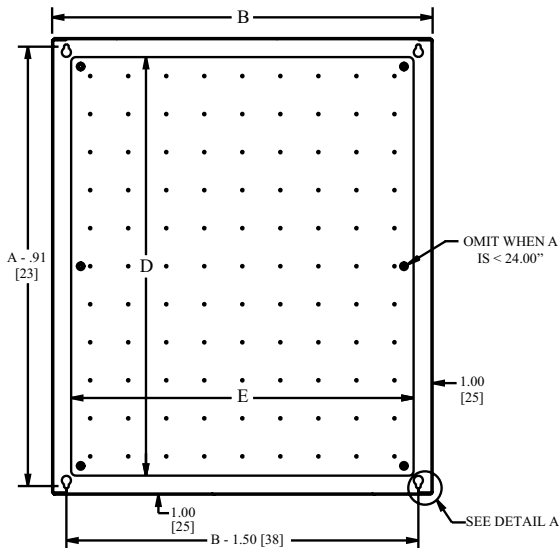


GENERAL PURPOSE TYPE 1 ENCLOSURES WITH KNOCKOUTS

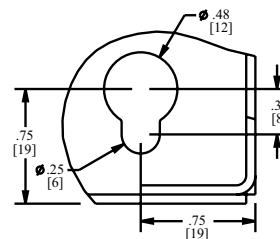
TECHNICAL DATA



CONSTRUCTION NOTES:
 Enclosures < 24.00" [610] wide are made of 0.060" [2] material.
 Enclosures => 24.00" [610] wide are made of 0.075" [2] material.



SECTION A-A



DETAIL A

NOTES

- 11 Index
- 10 Technical Information
- 9 Accessories
- 8 Non-Metallic Enclosures
- 7 Free-Standing & Floor-Mounted Enclosures (Stainless Steel)
- 6 Wall-Mount Enclosures (Stainless Steel)
- 5 Operator System Enclosures (Stainless Steel)
- 4 Modular Enclosures
- 3 Free-Standing & Floor-Mounted Enclosures
- 2 Wall-Mount Enclosures
- 1 Operator System Enclosures

Phone (989) 799-6871
 Fax (989) 799-4524



NOTES



Phone (989) 799-6871
Fax (989) 799-4524

- 1 Operator System Enclosures
- 2 Wall-Mount Enclosures
- 3 Free-Standing & Floor-Mounted Enclosures
- 4 Modular Enclosures
- 5 Operator System Enclosures (Stainless Steel)
- 6 Wall-Mount Enclosures (Stainless Steel)
- 7 Free-Standing & Floor-Mounted Enclosures (Stainless Steel)
- 8 Non-Metallic Enclosures
- 9 Accessories
- 10 Technical Information
- 11 Index

Free-Standing & Floor Mounted Enclosures

Enviroline® Series Two-Door Enclosures 118 – 119



Overlapping Two-Door Enclosures 120 – 121



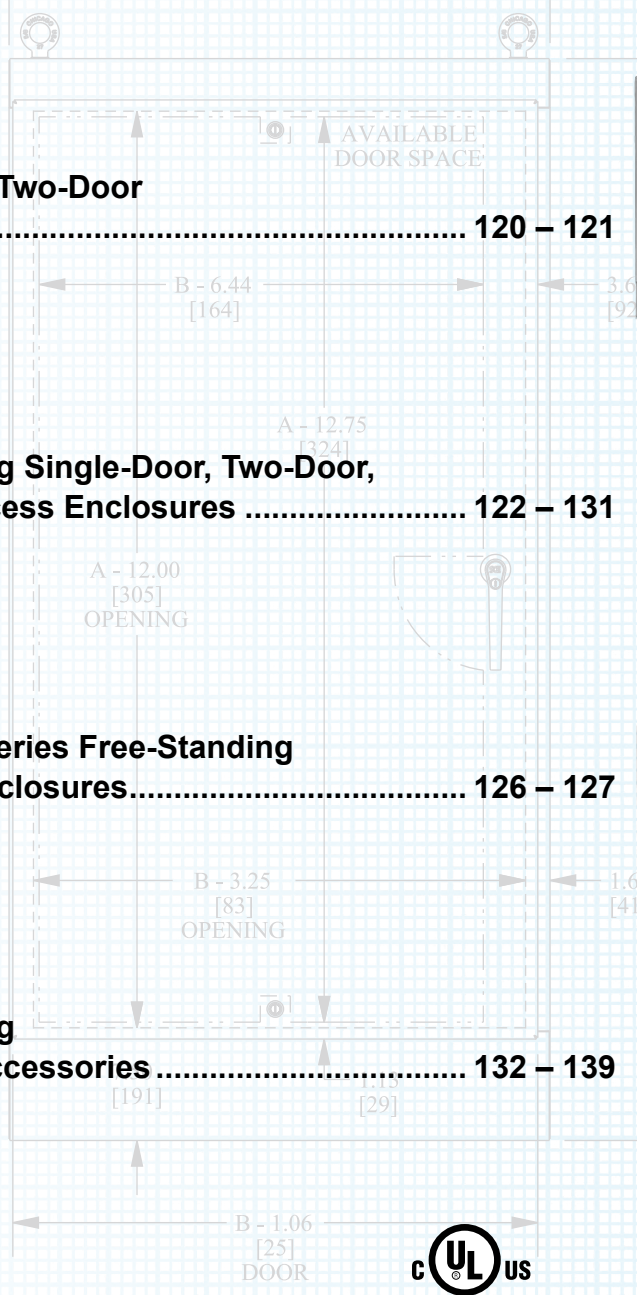
Free-Standing Single-Door, Two-Door, and Dual Access Enclosures 122 – 131



Enviroline® Series Free-Standing Two-Door Enclosures..... 126 – 127



Free-Standing Enclosure Accessories 132 – 139



Phone (989) 799-6871
Fax (989) 799-4524



1 Operator System Enclosures
2 Wall-Mount Enclosures
3 Free-Standing & Floor-Mounted Enclosures
4 Modular Enclosures
5 Operator System Enclosures (Stainless Steel)
6 Wall-Mount Enclosures (Stainless Steel)
7 Free-Standing & Floor-Mounted Enclosures (Stainless Steel)
8 Non-Metallic Enclosures
9 Accessories
10 Technical Information
11 Index

Free-Standing & Floor Mounted Enclosures

Multi-Door Three, Four and Five Door Enclosures..... 140 – 143



Multi-Door Free-Standing/Wall-Mount Enclosures for Flange-Mounted Disconnects..... 144 – 149



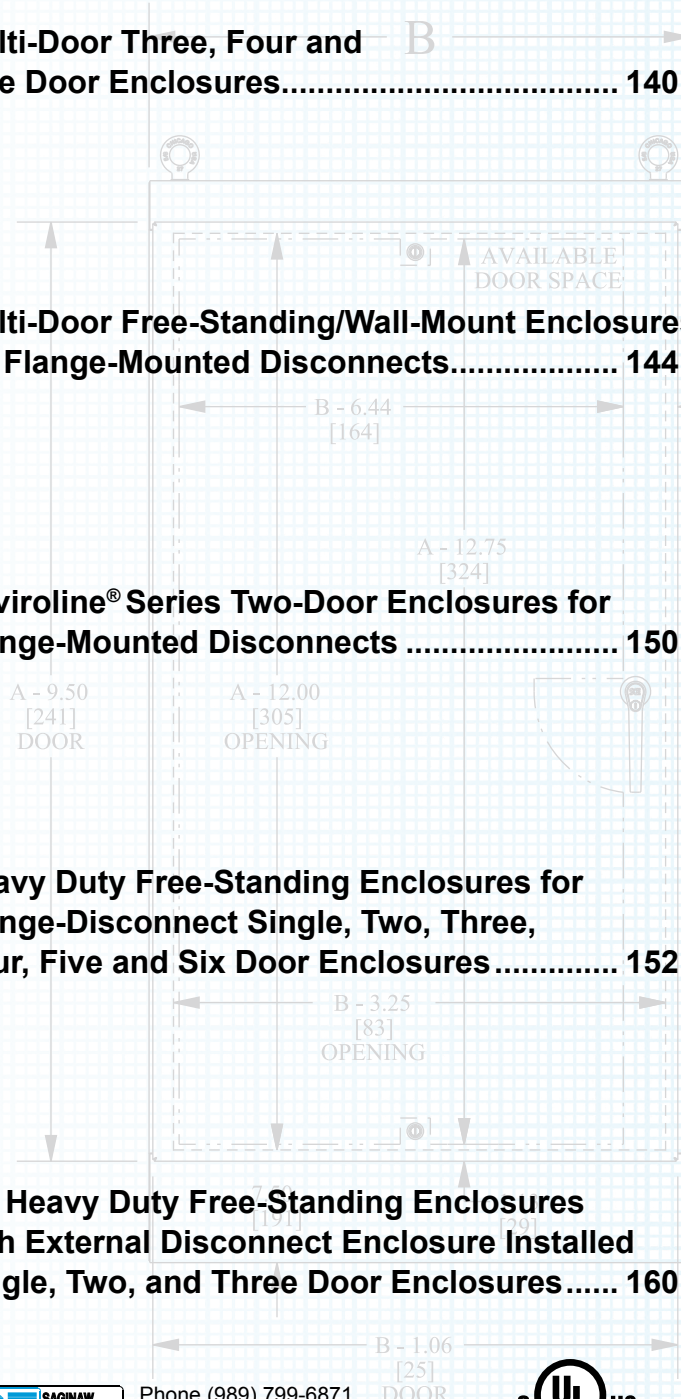
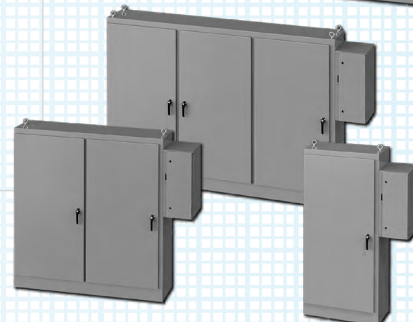
Enviroline® Series Two-Door Enclosures for Flange-Mounted Disconnects 150 – 151



Heavy Duty Free-Standing Enclosures for Flange-Disconnect Single, Two, Three, Four, Five and Six Door Enclosures 152 – 159



XD Heavy Duty Free-Standing Enclosures with External Disconnect Enclosure Installed Single, Two, and Three Door Enclosures 160 – 164



Phone (989) 799-6871
Fax (989) 799-4524



- 1 Operator System Enclosures
- 2 Wall-Mount Enclosures
- 3 Free-Standing & Floor-Mounted Enclosures
- 4 Modular Enclosures
- 5 Operator System Enclosures (Stainless Steel)
- 6 Wall-Mount Enclosures (Stainless Steel)
- 7 Free-Standing & Floor-Mounted Enclosures (Stainless Steel)
- 8 Non-Metallic Enclosures
- 9 Accessories
- 10 Technical Information
- 11 Index

Enviroline® Series Two-Door Enclosures With 3-Point Hardware

Application -

Designed to house electrical and electronic controls, instrumentation and components in indoor & outdoor locations. For outdoor applications a drip shield is recommended. For installation information, consult our Installation Manual at www.saginawcontrol.com.

Construction -

- 0.104" carbon steel.
- Seams continuously welded and ground smooth.
- Flange trough collar around all sides of door opening.
- Removable center post.
- Heavy duty lifting eyes anchored into reinforced top.
- Body stiffeners.
- Concealed hinges.
- Black keylocking/padlocking handles.
- 3-point latching mechanism.
- Removable print pocket.
- 12" removable floor stands.
- Panel supports.
- Black quarter turn latches as required.
- Provisions for mechanical interlock.
- Oil & water resistant gasket.
- Ground stud on door and body.
- Provisions for light kit.
- Hole plugs provided to seal holes in bottom of enclosure.

Options -

Provisions for mechanical interlock. See Accessory section to order.

Finish -

ANSI-61 gray powder coated inside and out. Optional sub-panels powder coated white.

IS4 - Industry Standards -

NEMA Type 3R, 4, 12 & Type 13
UL Listed Type 3R, 4, & 12
CSA Type 3R, 4 & 12
IEC 60529 IP66

***Special Instructions apply for IS3, IS4 and IS6 to maintain the environmental rating of Type 3R for these parts. See the Special Instructions on the Industry Standards page in the Technical Information Section.

ENVIROLINE® SERIES TWO-DOOR ENCLOSURES WITH 3-POINT HARDWARE

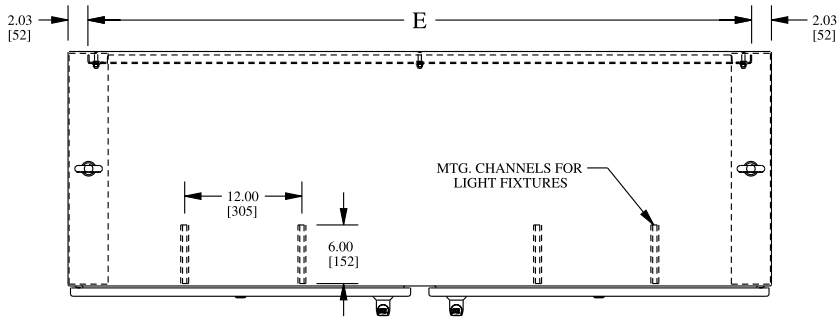
ENCLOSURE PRODUCT CODE E2						SUB-PANEL (P3)			
Catalog No.	Height (A)	Width (B)	Depth (C)	Industry Standard	List Price	Catalog No.	Panel Height (D)	Panel Width (E)	List Price
SCE-60EL4812LPPL	60.00	48.00	12.00	IS4	1,997.80	SCE-60P48	56.00	44.00	268.38
SCE-60EL4818LPPL	60.00	48.00	18.00	IS4	2,037.17	SCE-60P48	56.00	44.00	268.38
SCE-60EL6012LPPL	60.00	60.00	12.00	IS4	2,189.71	SCE-60P60	56.00	56.00	331.68
SCE-60EL6018LPPL	60.00	60.00	18.00	IS4	2,229.09	SCE-60P60	56.00	56.00	331.68
SCE-72EL6012LPPL	72.00	60.00	12.00	IS4	2,448.04	SCE-72P60	68.00	56.00	394.98
SCE-72EL6018LPPL	72.00	60.00	18.00	IS4	2,478.80	SCE-72P60	68.00	56.00	394.98
SCE-72EL7212LPPL	72.00	72.00	12.00	IS4	2,743.30	SCE-72P72	68.00	68.00	470.93
SCE-72EL7218LPPL	72.00	72.00	18.00	IS4	2,817.10	SCE-72P72	68.00	68.00	470.93
SCE-72EL7224LPPL	72.00	72.00	24.00	IS4	3,186.15	SCE-72P72	68.00	68.00	470.93



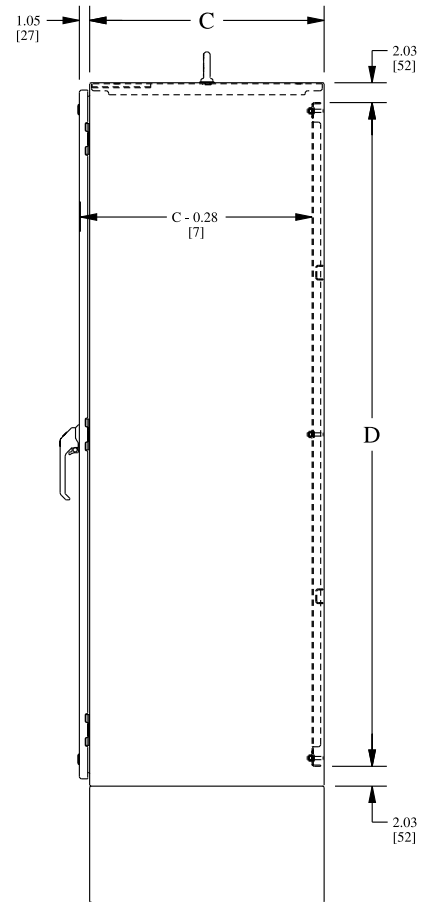
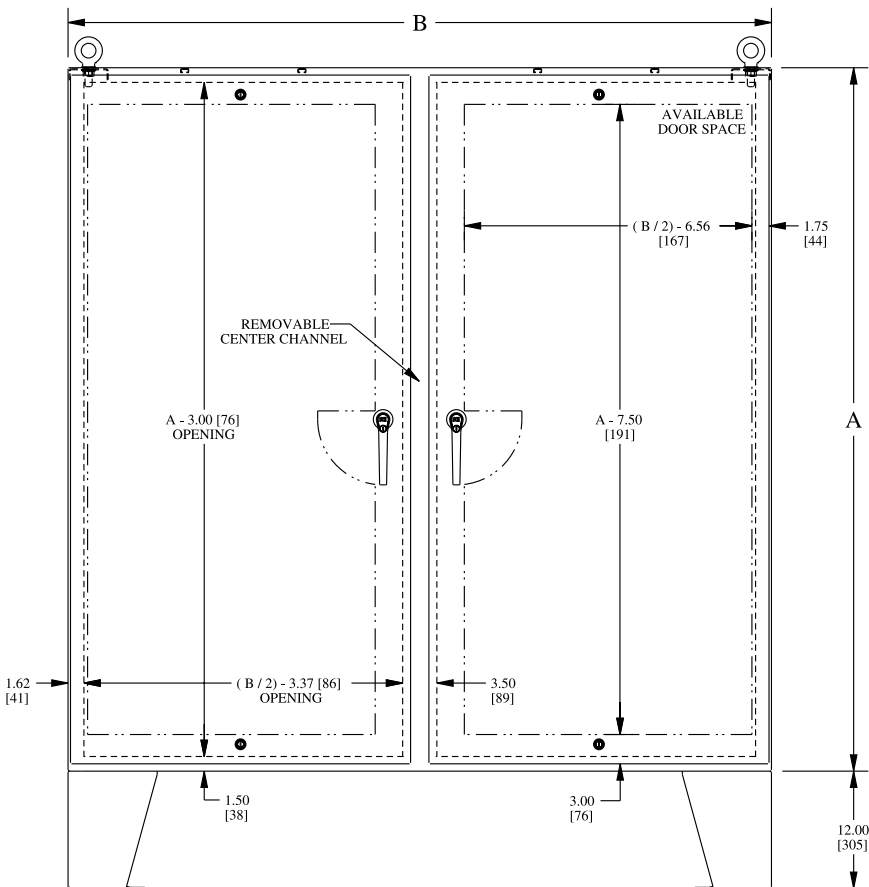
Phone (989) 799-6871
Fax (989) 799-4524



ENVIROLINE® SERIES TWO-DOOR ENCLOSURES WITH 3-POINT HARDWARE TECHNICAL DATA



LATCH NOTE:
Omit center latch top and bottom of door when door width is < 30.00 [762]



Overlapping Two-Door Enclosures

Application -

Designed to house electrical and electronic controls, instruments and components. Provides protection from dust, oil and water. For outdoor application a drip shield and drain holes are required. For installation information, consult our Installation Manual at www.saginawcontrol.com.

Construction -

- 0.104" carbon steel.
- Seams continuously welded and ground smooth, no holes or knockouts.
- Strong, rigid construction with body stiffeners.
- Gasketed overlapping doors eliminate need for center post.
- Black zinc die cast keylocking/padlocking handle.
- 3-point latching mechanism.
- Latch rods ramp shoes for easier door closing.
- Concealed hinges.
- Removable print pocket.
- 12" removable floor stands.
- Heavy duty lifting eyes.
- Panel supports.
- Oil resistant door gasket.
- Collar studs for mounting optional sub-panel.
- Ground stud on door and body.
- Provisions for light kit.
- Hole plugs provided to seal holes in bottom of enclosure.

Finish -

ANSI-61 gray powder coated inside and out. Optional sub-panels powder coated white.

IS3 - Industry Standards -

NEMA Type 3R, 12 & Type 13
UL Listed Type 3R & 12
CSA Type 3R & 12
IEC 60529 IP55

***Special Instructions apply for IS3, IS4 and IS6 to maintain the environmental rating of Type 3R for these parts. See the Special Instructions on the Industry Standards page in the Technical Information Section.

OVERLAPPING TWO-DOOR ENCLOSURES

ENCLOSURE PRODUCT CODE A2						SUB-PANEL (P3)			
Catalog No.	Height (A)	Width (B)	Depth (C)	Industry Standard	List Price	Catalog No.	Panel Height (D)	Panel Width (E)	List Price
SCE-604808LP	60.00	48.00	8.00	IS3	1,491.36	SCE-60P48	56.00	44.00	268.38
SCE-604810LP	60.00	48.00	10.00	IS3	1,539.46	SCE-60P48	56.00	44.00	268.38
SCE-604812LP	60.00	48.00	12.00	IS3	1,587.57	SCE-60P48	56.00	44.00	268.38
SCE-604816LP	60.00	48.00	16.00	IS3	1,681.26	SCE-60P48	56.00	44.00	268.38
SCE-604824LP	60.00	48.00	24.00	IS3	1,873.69	SCE-60P48	56.00	44.00	268.38
SCE-606010LP	60.00	60.00	10.00	IS3	1,724.30	SCE-60P60	56.00	56.00	331.68
SCE-606012LP	60.00	60.00	12.00	IS3	1,777.47	SCE-60P60	56.00	56.00	331.68
SCE-606016LP	60.00	60.00	16.00	IS3	1,883.81	SCE-60P60	56.00	56.00	331.68
SCE-606024LP	60.00	60.00	24.00	IS3	2,096.51	SCE-60P60	56.00	56.00	331.68
SCE-726010ULP	72.00	60.00	10.00	IS3	1,972.44	SCE-72P60	68.00	56.00	394.98
SCE-726012ULP	72.00	60.00	12.00	IS3	2,033.21	SCE-72P60	68.00	56.00	394.98
SCE-726016ULP	72.00	60.00	16.00	IS3	2,152.21	SCE-72P60	68.00	56.00	394.98
SCE-726024ULP	72.00	60.00	24.00	IS3	2,395.28	SCE-72P60	68.00	56.00	394.98
SCE-727210ULP	72.00	72.00	10.00	IS3	2,197.78	SCE-72P72	68.00	68.00	470.93
SCE-727212ULP	72.00	72.00	12.00	IS3	2,263.61	SCE-72P72	68.00	68.00	470.93
SCE-727216ULP	72.00	72.00	16.00	IS3	2,395.28	SCE-72P72	68.00	68.00	470.93
SCE-727224ULP	72.00	72.00	24.00	IS3	2,658.62	SCE-72P72	68.00	68.00	470.93

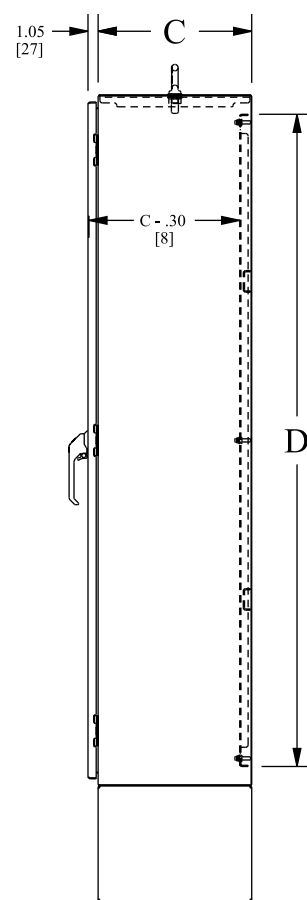
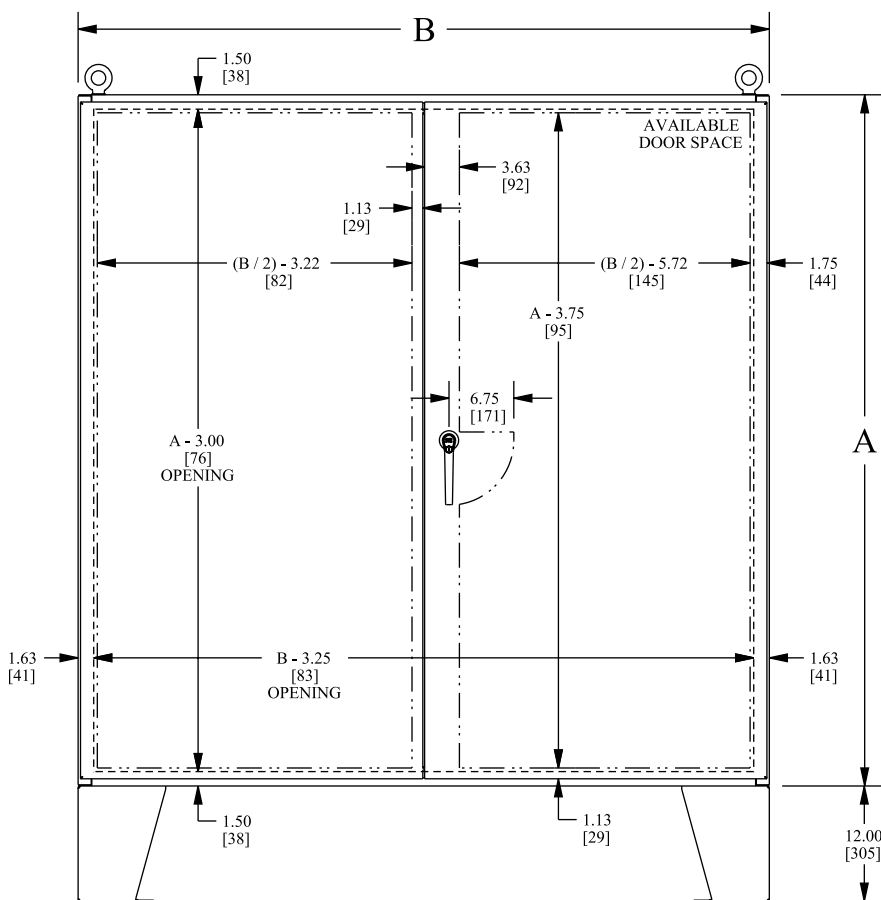
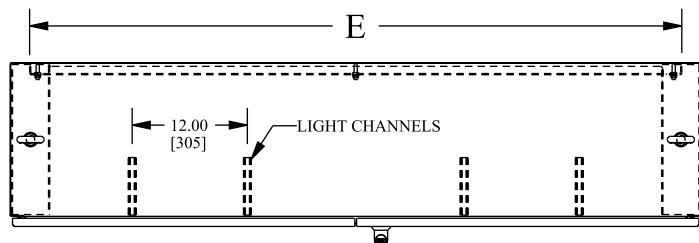


Phone (989) 799-6871
Fax (989) 799-4524



OVERLAPPING TWO-DOOR ENCLOSURES

TECHNICAL DATA



Free-Standing Single-Door Single Access Enclosures

Application -

Designed to house a variety of electrical and electronic controls and instruments. Provisions for optional surface mounting or rack mounting of almost any type of equipment. Provides protection from dust, dirt, water and oil. For outdoor application a drip shield and drain holes are required. The enclosures are extra deep for applications requiring more interior space. For installation information, consult our Installation Manual at www.saginawcontrol.com.

Construction -

- 0.104" carbon steel.
- Concealed hinges.
- Removable and interchangeable doors.
- Flange trough collar around all sides of door opening.
- Seams continuously welded and ground smooth, no holes or knockouts.
- Lifting eyes for easy handling.
- Black zinc die cast keylocking/padlocking handle.
- 3-point latching mechanism.
- Latch rods have ramp shoes for easier door closing.
- Removable print pocket provided on door.
- Black quarter turn latches as required.
- Mounting channels welded horizontally on sides of interior body at top, bottom and middle for mounting optional panels or rack mounting angles.
- Hole plugs provided to seal holes in bottom of enclosure.
- Oil resistant gasket.
- Ground stud on door and body.
- Provisions for light kit.

Finish -

ANSI-61 gray powder coated inside and out. Optional sub-panels powder coated white.

Accessories - See page 132

IS3 - Industry Standards -

NEMA Type 3R, 12 & Type 13
UL Listed Type 3R & 12
CSA Type 3R & 12
IEC 60529 IP55

IS4 - Industry Standards -

NEMA Type 3R, 4, 12 & Type 13
UL Listed Type 3R, 4 & 12
CSA Type 3R, 4 & 12
IEC 60529 IP66

***Special Instructions apply for IS3, IS4 and IS6 to maintain the environmental rating of Type 3R for these parts. See the Special Instructions on the Industry Standards page in the Technical Information Section.

FREE-STANDING SINGLE-DOOR SINGLE ACCESS ENCLOSURES

ENCLOSURE PRODUCT CODE A2					
Catalog No.	Height (A)	Width (B)	Depth (C)	Industry Standard	List Price
SCE-60EL2418FS	60.00	24.00	18.00	IS4	1,024.17
SCE-603624FS	60.00	36.00	24.00	IS3	1,356.97
SCE-72EL2418FS	72.00	24.00	18.00	IS4	1,135.10
SCE-72EL2424FS	72.00	24.00	24.00	IS4	1,261.50
SCE-72EL3018FS	72.00	30.00	18.00	IS4	1,251.20
SCE-72EL3024FS	72.00	30.00	24.00	IS4	1,387.93
SCE-723618FS	72.00	36.00	18.00	IS3	1,372.44
SCE-72EL3624FS	72.00	36.00	24.00	IS4	1,559.76
SCE-723624FS	72.00	36.00	24.00	IS3	1,514.33
SCE-723630FS	72.00	36.00	30.00	IS3	1,658.80
SCE-723636FS	72.00	36.00	36.00	IS3	1,800.69
SCE-90EL2420FS	90.00	24.00	20.00	IS4	1,351.80
SCE-903620FS	90.00	36.00	20.00	IS3	1,640.75
SCE-903624FS	90.00	36.00	24.00	IS3	1,754.25
SCE-903636FS	90.00	36.00	36.00	IS3	2,087.04

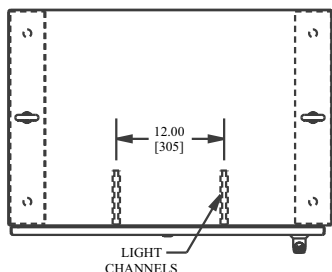
Part numbers that contain the letter "EL" with doors that are over 30 Inches wide have quarter turn latches on the center of the door top and bottom.



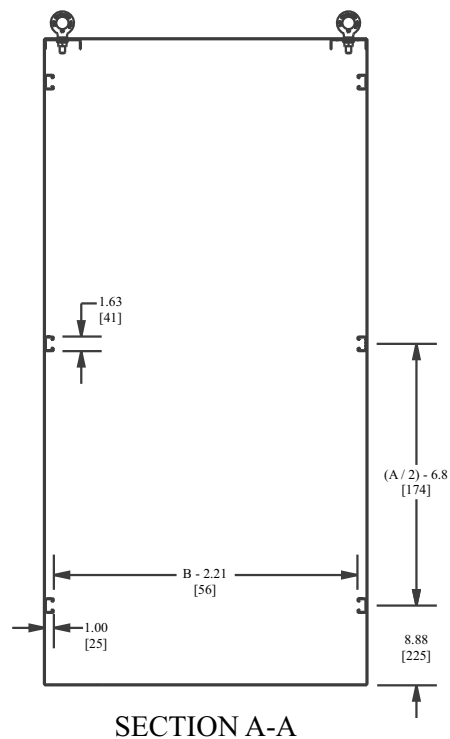
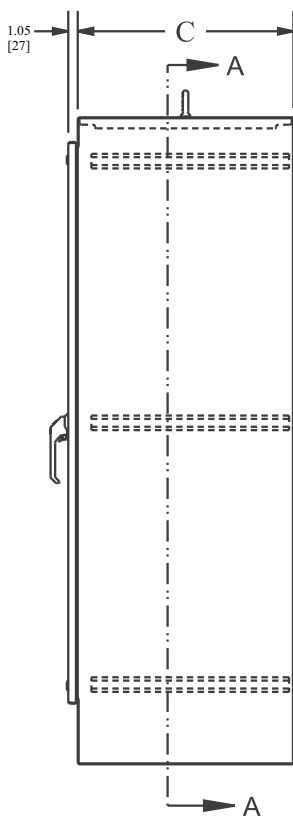
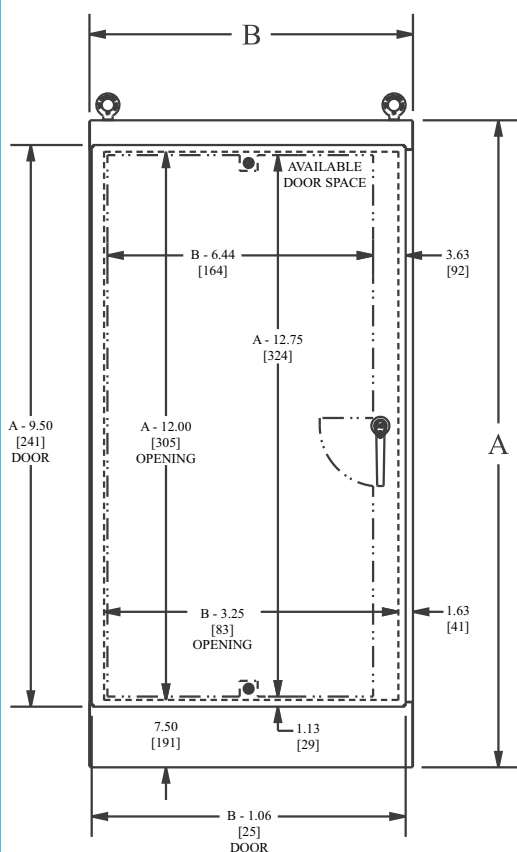
Phone (989) 799-6871
Fax (989) 799-4524



FREE-STANDING SINGLE-DOOR SINGLE ACCESS ENCLOSURES TECHNICAL DATA



LATCH NOTE:
“EL” part numbers with doors ≥ 30.00 [762] in width have additional latch centered top and bottom of door.



Free-Standing Two-Door Single Access Enclosures

Application -

Designed to house a variety of electrical and electronic controls and instruments. Provisions for optional surface mounting or rack mounting of almost any type of equipment. Provides protection from dust, dirt, water and oil. For outdoor application a drip shield and drain holes are required. The enclosures are extra deep for applications requiring more interior space. For installation information, consult our Installation Manual at www.saginawcontrol.com.

Construction -

- 0.104" carbon steel.
- Removable and interchangeable doors.
- Concealed hinges.
- Seams continuously welded and ground smooth, no holes or knockouts.
- Strong, rigid construction with stiffeners welded on backs of single access boxes.
- Lifting eyes for easy handling.
- Black zinc die cast keylocking/padlocking handle.
- 3-point latching mechanism.
- Latch rods have ramp shoes for easier door closing.
- Flange trough collar around all sides of door opening.
- Removable print pocket on door with 3-point latch.
- Mounting channels welded horizontally on sides of interior body at top, bottom and middle for mounting optional panels or rack mounting angles.
- Hole plugs provided to seal holes in bottom of enclosure.
- Oil resistant gasket.
- Ground stud on door and body.
- Provisions for light kit.

Finish -

ANSI-61 gray powder coated inside and out. Optional sub-panels powder coated white.

Accessories - See page 133

IS3 - Industry Standards -

NEMA Type 3R, 12 & Type 13
UL Listed Type 3R & 12
CSA Type 3R & 12
IEC 60529 IP55

***Special Instructions apply for IS3, IS4 and IS6 to maintain the environmental rating of Type 3R for these parts. See the Special Instructions on the Industry Standards page in the Technical Information Section.

FREE-STANDING TWO-DOOR SINGLE ACCESS ENCLOSURES

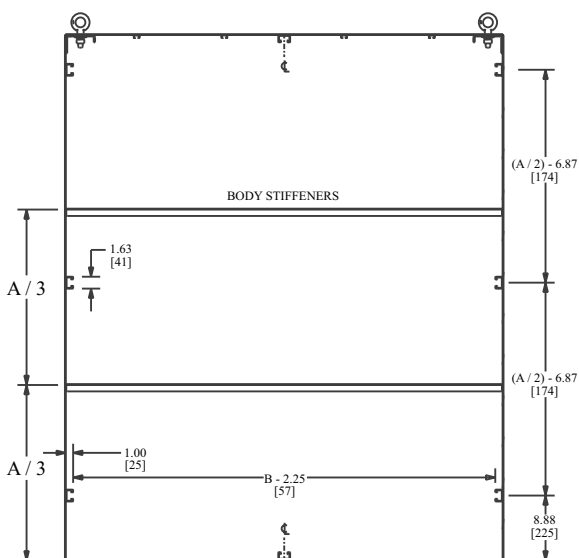
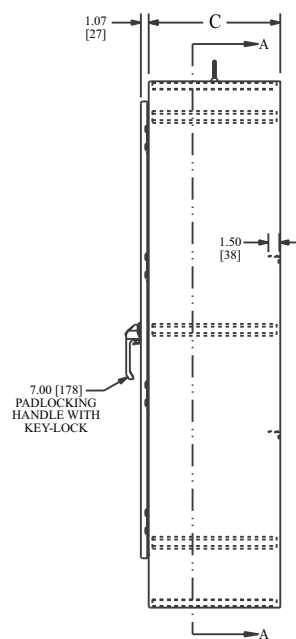
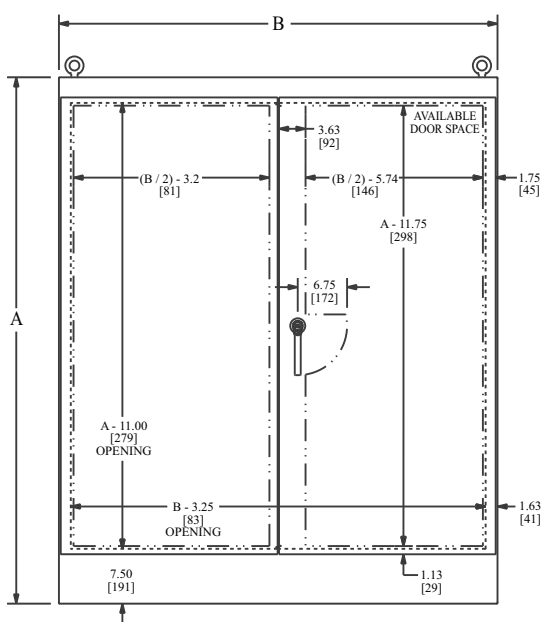
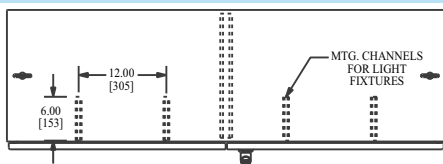
ENCLOSURE PRODUCT CODE A2					
Catalog No.	Height (A)	Width (B)	Depth (C)	Industry Standard	List Price
SCE-604818FSD	60.00	48.00	18.00	IS3	1,717.47
SCE-724818FSD	72.00	48.00	18.00	IS3	1,891.84
SCE-724824FSD	72.00	48.00	24.00	IS3	2,049.50
SCE-726018FSD	72.00	60.00	18.00	IS3	2,128.33
SCE-726024FSD	72.00	60.00	24.00	IS3	2,302.70
SCE-726036FSD	72.00	60.00	36.00	IS3	2,649.05
SCE-727218FSD	72.00	72.00	18.00	IS3	2,364.80
SCE-727224FSD	72.00	72.00	24.00	IS3	2,555.90
SCE-904820FSD	90.00	48.00	20.00	IS3	2,214.31
SCE-904824FSD	90.00	48.00	24.00	IS3	2,302.81
SCE-907220FSD	90.00	72.00	20.00	IS3	2,792.37
SCE-907224FSD	90.00	72.00	24.00	IS3	2,933.31
SCE-907236FSD	90.00	72.00	36.00	IS3	3,360.88



Phone (989) 799-6871
Fax (989) 799-4524



FREE-STANDING TWO-DOOR SINGLE ACCESS ENCLOSURES TECHNICAL DATA



SECTION A-A

Enviroline® Series Free-Standing Two-Door Enclosures

Application -

Designed to house a variety of electrical and electronic controls and instruments. Provisions for optional surface mounting or rack mounting of almost any type of equipment. Provides protection from dust, dirt, water and oil. For outdoor application a drip shield and drain holes are required. The enclosures are extra deep for applications requiring more interior space.

Construction -

- 0.104" carbon steel.
- Removable and interchangeable doors.
- Concealed hinges.
- Seams continuously welded and ground smooth.
- Strong, rigid construction with stiffeners welded on backs of single access boxes.
- Lifting eyes for easy handling.
- Black zinc die cast keylocking/padlocking handle.
- 3-point latching mechanism.
- Latch rods have ramp shoes for easier door closing.
- Flange trough collar around all sides of door opening.
- Removable center post.
- Removable print pocket.
- Mounting channels welded horizontally on sides of interior body at top, bottom and middle for mounting optional panels or rack mounting angles.
- Hole plugs provided to seal holes in bottom of enclosure.
- Oil resistant gasket.
- Ground stud on door and body.
- Provisions for light kit.

Finish -

ANSI-61 gray powder coated inside and out. Optional sub-panels powder coated white.

Accessories - See page 133

IS4 - Industry Standards -

NEMA Type 3R, 4, 12 & Type 13
UL Listed Type 3R, 4 & 12
CSA Type 3R, 4 & 12
IEC 60529 IP66

***Special Instructions apply for IS3, IS4 and IS6 to maintain the environmental rating of Type 3R for these parts. See the Special Instructions on the Industry Standards page in the Technical Information Section.

ENVIROLINE® SERIES FREE-STANDING TWO-DOOR SINGLE ACCESS ENCLOSURES

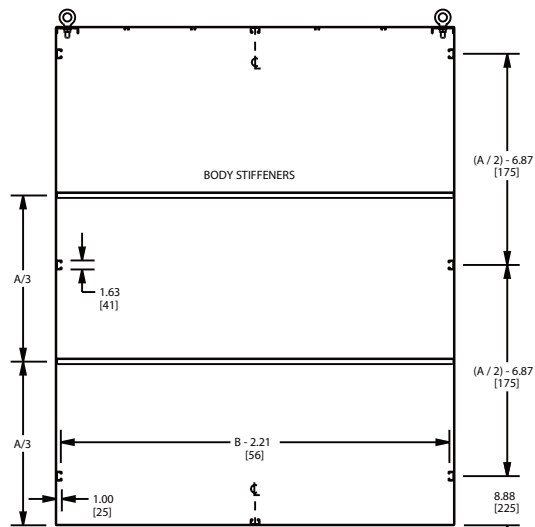
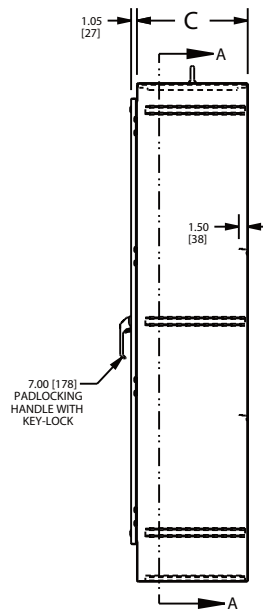
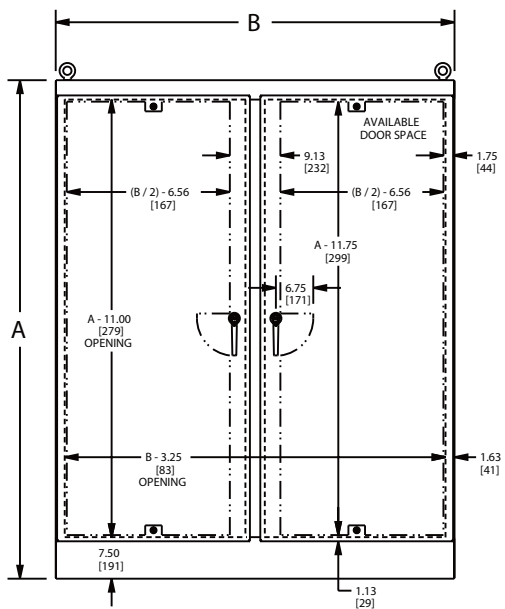
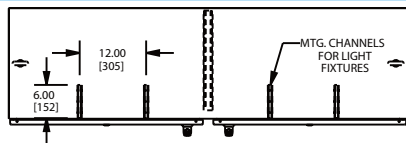
ENCLOSURE PRODUCT CODE A2					
Catalog No.	Height (A)	Width (B)	Depth (C)	Industry Standard	List Price
SCE-60EL4818FSD	60.00	48.00	18.00	IS4	2,207.05
SCE-72EL4818FSD	72.00	48.00	18.00	IS4	2,443.05
SCE-72EL4824FSD	72.00	48.00	24.00	IS4	2,601.58
SCE-72EL6018FSD	72.00	60.00	18.00	IS4	2,680.41
SCE-72EL6024FSD	72.00	60.00	24.00	IS4	2,854.78
SCE-72EL6036FSD	72.00	60.00	36.00	IS4	3,201.13
SCE-72EL7218FSD	72.00	72.00	18.00	IS4	2,937.72
SCE-72EL7224FSD	72.00	72.00	24.00	IS4	3,128.82
SCE-90EL4820FSD	90.00	48.00	20.00	IS4	2,828.89
SCE-90EL7220FSD	90.00	72.00	20.00	IS4	3,427.79
SCE-90EL7224FSD	90.00	72.00	24.00	IS4	3,568.73
SCE-90EL7236FSD	90.00	72.00	36.00	IS4	3,996.30



Phone (989) 799-6871
Fax (989) 799-4524



ENVIROLINE® SERIES FREE-STANDING TWO-DOOR SINGLE ACCESS ENCLOSURES TECHNICAL DATA



LATCH NOTE:
OMIT CENTER LATCH TOP AND
BOTTOM OF DOOR WHEN DOOR
WIDTH IS $\leq 30.00''$ [762]

Free-Standing Single-Door Dual Access Enclosures

Application -

Designed to house a variety of electrical and electronic controls and instruments. Provisions for optional surface mounting or rack mounting of almost any type of equipment. Provides protection from dust, dirt, water and oil. For outdoor application a drip shield and drain holes are required. The enclosures are extra deep for applications requiring more interior space. For installation information, consult our Installation Manual at www.saginawcontrol.com.

Construction -

- 0.104" carbon steel.
- Seams continuously welded and ground smooth, no holes or knockouts.
- Strong, rigid construction.
- Lifting eyes for easy handling.
- Black zinc die cast keylocking/padlocking handle.
- 3-point latching mechanism.
- Latch rods have ramp shoes for easier door closing.
- Concealed hinges.
- Flange trough collar around all sides of door opening.
- Removable print pocket on door.
- Black quarter turn latches as required.
- Mounting channels welded horizontally on sides of interior body at top, bottom and middle for mounting optional panels or rack mounting angles.
- Hole plugs provided to seal holes in bottom of enclosure.
- Oil resistant gasket.
- Ground stud on door and body.
- Removable and interchangeable doors.
- Provisions for light kit.

Finish -

ANSI-61 gray powder coated inside and out. Optional sub-panels powder coated white.

Accessories - See page 134

IS3 - Industry Standards -

NEMA Type 3R, 12 & Type 13
UL Listed Type 3R & 12
CSA Type 3R & 12
IEC 60529 IP55

IS4 - Industry Standards -

NEMA Type 3R, 4, 12 & Type 13
UL Listed Type 3R, 4, & 12
CSA Type 3R, 4 & 12
IEC 60529 IP66

***Special Instructions apply for IS3, IS4 and IS6 to maintain the environmental rating of Type 3R for these parts. See the Special Instructions on the Industry Standards page in the Technical Information Section.

FREE-STANDING SINGLE-DOOR DUAL ACCESS ENCLOSURES

ENCLOSURE PRODUCT CODE A2					
Catalog No.	Height (A)	Width (B)	Depth (C)	Industry Standard	List Price
SCE-72EL2424FSDA	72.00	24.00	24.00	IS4	1,476.21
SCE-72EL2430FSDA	72.00	24.00	30.00	IS4	1,623.11
SCE-72EL2436FSDA	72.00	24.00	36.00	IS4	1,772.40
SCE-72EL3024FSDA	72.00	30.00	24.00	IS4	1,624.31
SCE-723624FSDA	72.00	36.00	24.00	IS3	1,772.40
SCE-723636FSDA	72.00	36.00	36.00	IS3	2,104.44
SCE-903624FSDA	90.00	36.00	24.00	IS3	2,049.50
SCE-903636FSDA	90.00	36.00	36.00	IS3	2,438.85

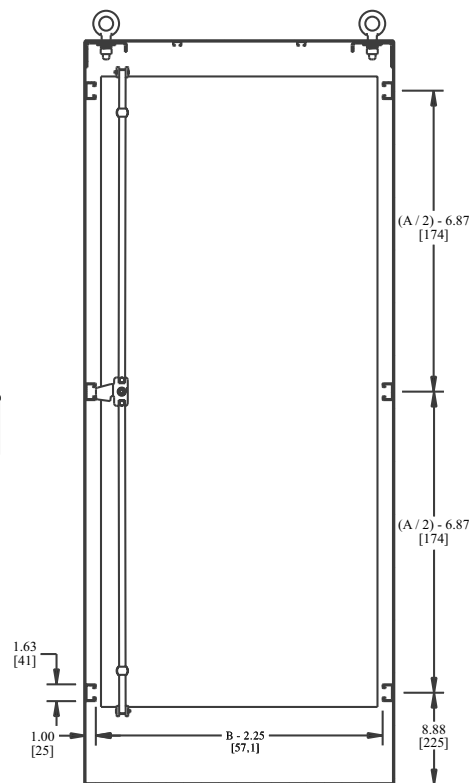
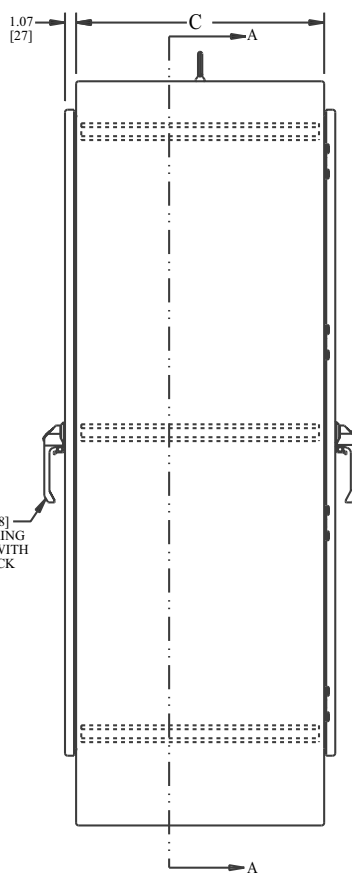
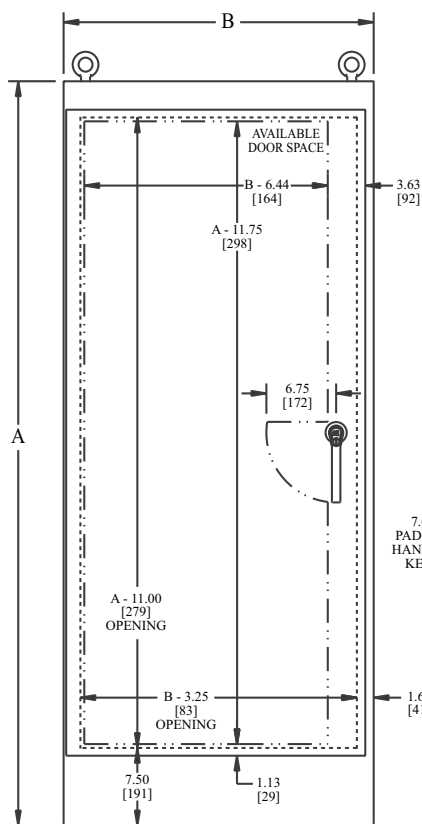
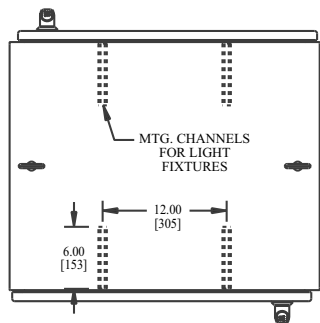
Part numbers that contain the letters "EL" with doors that are over 30 inches wide have quarter turn latches on the center of the door top and bottom.



Phone (989) 799-6871
Fax (989) 799-4524



FREE-STANDING SINGLE-DOOR DUAL ACCESS ENCLOSURES TECHNICAL DATA



SECTION A-A

Free-Standing Two-Door Dual Access Enclosures

Application -

Designed to house a variety of electrical and electronic controls and instruments. Provisions for optional surface mounting or rack mounting of almost any type of equipment. Provides protection from dust, dirt, water and oil. For outdoor application a drip shield and drain holes are required. The enclosures are extra deep for applications requiring more interior space. For installation information, consult our Installation Manual at www.saginawcontrol.com.

Construction -

- 0.104" carbon steel.
- Seams continuously welded and ground smooth, no holes or knockouts.
- Strong rigid construction.
- Lifting eyes for easy handling.
- Black zinc die cast keylocking/padlocking handle.
- 3-point latching mechanism.
- Latch rods have ramp shoes for easier door closing.
- Concealed hinges.
- Flange trough collar around all sides of door opening.
- Removable print pocket on door with 3-point latch..
- Mounting channels welded horizontally on sides of interior body at top, bottom and middle for mounting optional panels or rack mounting angles.
- Hole plugs provided to seal holes in bottom of enclosure.
- Oil resistant gasket.
- Ground stud on door and body.
- Removable and interchangeable doors.
- Provisions for light kit.

Finish -

ANSI-61 gray powder coated inside and out. Optional sub-panels powder coated white.

Accessories - See page 135

IS3 - Industry Standards -

NEMA Type 3R, 12 & Type 13
UL Listed Type 3R & 12
CSA Type 3R & 12
IEC 60529 IP55

***Special Instructions apply for IS3, IS4 and IS6 to maintain the environmental rating of Type 3R for these parts. See the Special Instructions on the Industry Standards page in the Technical Information Section.

FREE-STANDING TWO-DOOR DUAL ACCESS ENCLOSURES

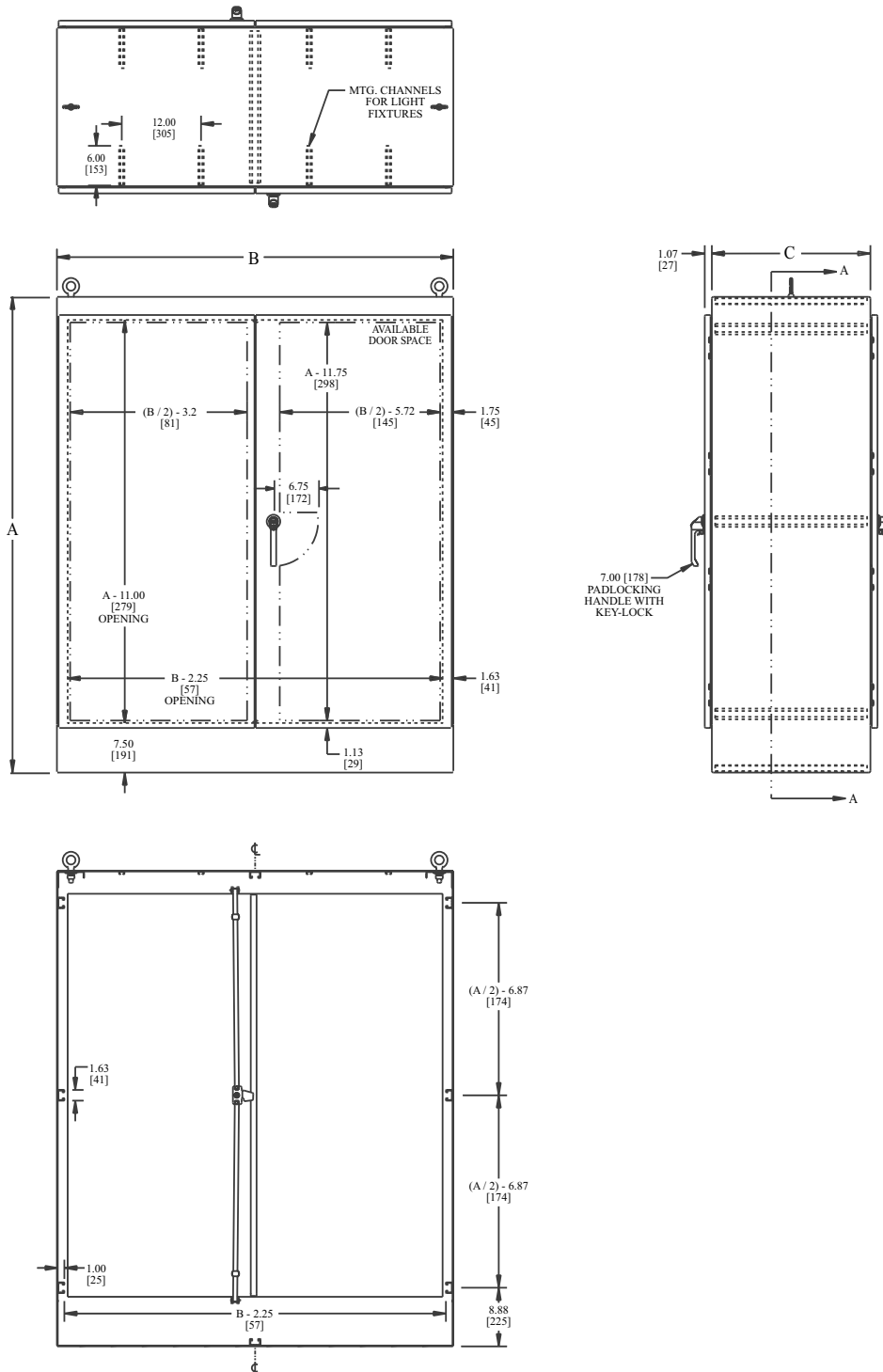
ENCLOSURE PRODUCT CODE A2					
Catalog No.	Height (A)	Width (B)	Depth (C)	Industry Standard	List Price
SCE-724824FSDAD	72.00	48.00	24.00	IS3	2,551.13
SCE-726024FSDAD	72.00	60.00	24.00	IS3	2,866.42
SCE-726036FSDAD	72.00	60.00	36.00	IS3	3,298.78
SCE-727224FSDAD	72.00	72.00	24.00	IS3	3,181.73
SCE-907224FSDAD	90.00	72.00	24.00	IS3	3,653.50



Phone (989) 799-6871
Fax (989) 799-4524



FREE-STANDING TWO-DOOR DUAL ACCESS ENCLOSURES TECHNICAL DATA



SECTION A-A



Phone (989) 799-6871
Fax (989) 799-4524

SINGLE-DOOR - SINGLE ACCESS ACCESSORY SELECTION GUIDE

PART NUMBER	DESCRIPTION	SIZE	ACCESSORY SELECTION GUIDE															
			SCE-60EL2418F/SSFS	SCE-603624F/SSFS	SCE-72EL2418F/SSFS	SCE-72EL2424F/SSFS	SCE-72EL3018F/SSFS	SCE-72EL3024F/SSFS	SCE-723618F/SSFS	SCE-723624F/SSFS	SCE-723630F/SSFS	SCE-723636F/SSFS	SCE-90EL2420F/SSFS	SCE-903620F/SSFS	SCE-903624F/SSFS	SCE-903636F/SSFS		
SCE-60P24F1	Full Panel	48.00H x 20.00W	•		A	A									A			
SCE-60P36F1	Full Panel	48.00H x 32.00W		•						A	A	A	A		A	A	A	A
SCE-72P24F1	Full Panel	60.00H x 20.00W			•	•									A			
SCE-72P30F1	Full Panel	60.00H x 26.00W						•	•									
SCE-72P36F1	Full Panel	60.00H x 32.00W								•	•	•	•		A	A	A	
SCE-90P24F1	Full Panel	78.00H x 20.00W													•			
SCE-90P36F1	Full Panel	78.00H x 32.00W													•	•	•	
SCE-60P24F2	Half Panel	24.88H x 20.00W	•		A	A									A			
SCE-60P36F2	Half Panel	24.88H x 32.00W		•						A	A	A	A		A	A	A	
SCE-72P24F2	Half Panel	30.88H x 20.00W	A		•	•									A			
SCE-72P30F2	Half Panel	30.88H x 26.00W						•	•									
SCE-72P36F2	Half Panel	30.88H x 32.00W		A						•	•	•	•		A	A	A	
SCE-90P24F2	Half Panel	39.88H x 20.00W	A		A	A									•			
SCE-90P36F2	Half Panel	39.88H x 32.00W		A						A	A	A	A		•	•	•	
SCE-60SMP14	Side Panel	48.00H x 14.00W	•	•														
SCE-72SMP14	Side Panel	60.00H x 14.00W			•	•	•	•	•	•	•	•	•					
SCE-72SMP20	Side Panel	60.00H x 20.00W				•		•		•	•	•						
SCE-90SMP14	Side Panel	78.00H x 14.00W													•	•	•	•
SCE-90SMP20	Side Panel	78.00H x 20.00W																•
SCE-90SMP30	Side Panel	78.00H x 30.00W																•
SCE-72SP24F3	Full Swing-Out Panel	60.00H x 18.81W			•	•												
SCE-72SP30F3	Full Swing-Out Panel	60.00H x 24.81W						•	•									
SCE-72SP36F3	Full Swing-Out Panel	60.00H x 30.81W								•	•	•	•					
SCE-90SP36F3	Full Swing-Out Panel	78.00H x 30.81W													•	•	•	
SCE-72SP24F4	Half Swing-Out Panel	30.88H x 18.81W			•	•												
SCE-72SP30F4	Half Swing-Out Panel	30.88H x 24.81W						•	•									
SCE-72SP36F4	Half Swing-Out Panel	30.88H x 30.81W								•	•	•	•					
SCE-90SP36F4	Half Swing-Out Panel	39.88H x 30.81W													•	•	•	
SCE-7230SOF19	Swing-Out Rack Frame	60.50H x 27.56W						•	•									
SCE-7236SOF19	Swing-Out Rack Frame	60.50H x 33.56W								•	•	•	•					
SCE-9036SOF19	Swing-Out Rack Frame	78.50H x 33.56W													•	•	•	
SCE-14RMW	Removable Wire Cover	14.00D	•		•		•		•									
SCE-20RMW	Removable Wire Cover	20.00D		•		•		•		•	•	•	•		•	•	•	
SCE-60RA19TH	Type RA Rack Angle	49.00H	•		•	•									•			
SCE-72RA19TH	Type RA Rack Angle	61.25H			•	•									•			
SCE-72RA24TH	Type RA Rack Angle	61.25H						•	•									
SCE-90RA19TH	Type RA Rack Angle	78.75H													•			
SCE-60RP24F5	Type RP Full Rack Angle	49.00H	•		•	•									•			
SCE-72RP24F5	Type RP Full Rack Angle	61.25H			•	•									•			
SCE-72RP30F5	Type RP Full Rack Angle	61.25H						•	•									
SCE-90RP24F5	Type RP Full Rack Angle	78.75H													•			
SCE-60RP24F6	Type RP Half Rack Angle	26.25H	•															
SCE-72RP24F6	Type RP Half Rack Angle	31.50H	•		•	•												
SCE-72RP30F6	Type RP Half Rack Angle	31.50H						•	•									
SCE-90RP24F6	Type RP Half Rack Angle	40.25H	•		•	•									•			
SCE-60FSDPS	Heavy Duty Panel Support	57.25H	•	•														
SCE-72FSDPS	Heavy Duty Panel Support	69.25H			•	•	•	•	•	•	•	•	•					
SCE-90FSDPS	Heavy Duty Panel Support	87.25H													•	•	•	•

A - Requires heavy duty panel supports (SCE-FSHDPS*) • - Installation does not require additional supports or hardware.
 B - Requires center panel support (SCE-FSCPS*) * - Blank space - Height of enclosure.
 C - Cannot be used when other panels are installed.

1 Operator System Enclosures
 2 Wall-Mount Enclosures
 3 Free-Standing & Floor-Mounted Enclosures
 4 Modular Enclosures
 5 Operator System Enclosures (Stainless Steel)
 6 Wall-Mount Enclosures (Stainless Steel)
 7 Free-Standing & Floor-Mounted Enclosures (Stainless Steel)
 8 Non-Metallic Enclosures
 9 Accessories
 10 Technical Information
 11 Index

SINGLE-DOOR - DUAL ACCESS ACCESSORY SELECTION GUIDE

PART NUMBER	DESCRIPTION	SIZE									
			SCE-72EL2424FSDA/SSFSDA	SCE-72EL2430FSDA/SSFSDA	SCE-72EL2436FSDA/SSFSDA	SCE-72EL3024FSDA/SSFSDA	SCE-723624FSDA/SSFSDA	SCE-723636FSDA/SSFSDA	SCE-903624FSDA/SSFSDA	SCE-903636FSDA/SSFSDA	
SCE-60P24F1	Full Panel	48.00H x 20.00W	A	A	A						
SCE-60P36F1	Full Panel	48.00H x 32.00W					A	A	A	A	
SCE-72P24F1	Full Panel	60.00H x 20.00W	•	•	•						
SCE-72P30F1	Full Panel	60.00H x 26.00W				•					
SCE-72P36F1	Full Panel	60.00H x 32.00W					•	•	A	A	
SCE-90P36F1	Full Panel	78.00H x 32.00W							•	•	
SCE-60P24F2	Half Panel	24.88H x 20.00W	A	A	A						
SCE-60P36F2	Half Panel	24.88H x 32.00W					A	A	A	A	
SCE-72P24F2	Half Panel	30.88H x 20.00W	•	•	•						
SCE-72P30F2	Half Panel	30.88H x 26.00W				•					
SCE-72P36F2	Half Panel	30.88H x 32.00W					•	•	A	A	
SCE-90P24F2	Half Panel	39.88H x 20.00W	A	A	A						
SCE-90P36F2	Half Panel	39.88H x 32.00W					A	A	•	•	
SCE-72SMP14	Side Panel	60.00H x 14.00W	•	•	•	•	•	•			
SCE-72SMP20	Side Panel	60.00H x 20.00W	•	•	•	•	•	•			
SCE-90SMP14	Side Panel	78.00H x 14.00W							•	•	
SCE-90SMP20	Side Panel	78.00H x 20.00W							•	•	
SCE-90SMP30	Side Panel	78.00H x 30.00W								•	
SCE-72SP24F3	Full Swing-Out Panel	60.00H x 18.81W	•	•	•						
SCE-72SP30F3	Full Swing-Out Panel	60.00H x 24.81W				•					
SCE-72SP36F3	Full Swing-Out Panel	60.00H x 30.81W					•	•			
SCE-90SP36F3	Full Swing-Out Panel	78.00H x 30.81W							•	•	
SCE-72SP24F4	Half Swing-Out Panel	30.88H x 18.81W	•	•	•						
SCE-72SP30F4	Half Swing-Out Panel	30.88H x 24.81W				•					
SCE-72SP36F4	Half Swing-Out Panel	30.88H x 30.81W					•	•			
SCE-90SP36F4	Half Swing-Out Panel	30.88H x 30.81W							•	•	
SCE-7230SOF19	Swing-Out Rack Frame	60.50H x 27.56W				•					
SCE-7236SOF19	Swing-Out Rack Frame	60.50H x 33.56W					•	•			
SCE-9036SOF19	Swing-Out Rack Frame	78.50H x 33.56W							•	•	
SCE-20RMW	Removable Wire Cover	20.00D	•	•	•	•	•	•	•	•	•
SCE-60RA19TH	Type RA Rack Angle	49.00H	•	•	•						
SCE-72RA19TH	Type RA Rack Angle	61.25H	•	•	•						
SCE-72RA24TH	Type RA Rack Angle	61.25H				•					
SCE-60RP24F5	Type RP Full Rack Angle	49.00H	•	•	•						
SCE-72RP24F5	Type RP Full Rack Angle	61.25H	•	•	•						
SCE-72RP30F5	Type RP Full Rack Angle	61.25H				•					
SCE-72RP24F6	Type RP Half Rack Angle	31.50H	•	•	•						
SCE-72RP30F6	Type RP Half Rack Angle	31.50H				•					
SCE-90RP24F6	Type RP Half Rack Angle	40.25H	•	•	•						
SCE-72FSHDPS	Heavy Duty Panel Support	69.25H	•	•	•	•	•	•			
SCE-90FSHDPS	Heavy Duty Panel Support	87.25H							•	•	

• - Installation does not require additional supports or hardware.
 A - Requires heavy duty panel supports (SCE-FSHDPS*)
 B - Requires center panel support (SCE-FSCPS*)
 C - Cannot be used when other panels are installed.
 * Blank space - Height of enclosure.

Phone (989) 799-6871
 Fax (989) 799-4524



1 Operator System Enclosures
 2 Wall-Mount Enclosures
 3 Free-Standing & Floor-Mounted Enclosures
 4 Modular Enclosures
 5 Operator System Enclosures (Stainless Steel)
 6 Wall-Mount Enclosures (Stainless Steel)
 7 Free-Standing & Floor-Mounted Enclosures (Stainless Steel)
 8 Non-Metallic Enclosures
 9 Accessories
 10 Technical Information
 11 Index

TWO-DOOR - DUAL ACCESS ACCESSORY SELECTION GUIDE

PART NUMBER	DESCRIPTION	SIZE	SCE-724824 FSDAD/SSFSDAD					SCE-726024 FSDAD/SSFSDAD		SCE-726036 FSDAD/SSFSDAD		SCE-727224 FSDAD/SSFSDAD		SCE-907224 FSDAD/SSFSDAD	
			AB	A	B	B	B	B	AB	AB	•	•	•	•	•
SCE-60P24F1	Full Panel	48.00H x 20.00W	AB												
SCE-60P36F1	Full Panel	48.00H x 32.00W								AB				AB	
SCE-60P48F1	Full Panel	48.00H x 44.00W	A												
SCE-72P24F1	Full Panel	60.00H x 20.00W	B												
SCE-72P30F1	Full Panel	60.00H x 26.00W				B	B								
SCE-72P36F1	Full Panel	60.00H x 32.00W							B					AB	
SCE-72P48F1	Full Panel	60.00H x 44.00W	•												
SCE-72P60F1	Full Panel	60.00H x 56.00W						•	•						
SCE-72P72F1	Full Panel	60.00H x 68.00W									•			B	
SCE-90P36F1	Full Panel	78.00H x 32.00W												B	
SCE-90P72F1	Full Panel	78.00H x 68.00W												•	
SCE-60P24F2	Half Panel	24.88H x 20.00W	AB												
SCE-60P36F2	Half Panel	24.88H x 32.00W								AB				AB	
SCE-72P24F2	Half Panel	30.88H x 20.00W	B												
SCE-72P30F2	Half Panel	30.88H x 26.00W				B	B								
SCE-72P36F2	Half Panel	30.88H x 32.00W								B				AB	
SCE-72P48F2	Half Panel	30.88H x 44.00W	•												
SCE-72P60F2	Half Panel	30.88H x 56.00W						•	•						
SCE-72P72F2	Half Panel	30.88H x 68.00W									•			B	
SCE-90P24F2	Half Panel	39.88H x 20.00W	AB												
SCE-90P36F2	Half Panel	39.88H x 32.00W								AB				B	
SCE-90P48F2	Half Panel	39.88H x 44.00W	A												
SCE-90P72F2	Half Panel	39.88H x 68.00W								A				•	
SCE-72SMP14	Side Panel	60.00H x 14.00W	•	•	•	•	•	•	•	•	•	•	•	•	•
SCE-72SMP20	Side Panel	60.00H x 20.00W	•	•	•	•	•	•	•	•	•	•	•	•	•
SCE-90SMP14	Side Panel	78.00H x 14.00W												•	
SCE-90SMP20	Side Panel	78.00H x 20.00W												•	
SCE-72SP24F3	Full Swing-Out Panel	60.00H x 18.81W	B												
SCE-72SP30F3	Full Swing-Out Panel	60.00H x 24.81W				B	B								
SCE-72SP36F3	Full Swing-Out Panel	60.00H x 30.81W								B					
SCE-90SP36F3	Full Swing-Out Panel	78.00H x 30.81W												B	
SCE-72SP24F4	Half Swing-Out Panel	30.88H x 18.81W	B												
SCE-72SP30F4	Half Swing-Out Panel	30.88H x 24.81W				B	B								
SCE-72SP36F4	Half Swing-Out Panel	30.88H x 30.81W								B					
SCE-90SP36F4	Half Swing-Out Panel	39.88H x 30.81W												B	
SCE-7230SOF19	Swing-Out Rack Frame	60.50H x 27.56W				B	B								
SCE-7236SOF19	Swing-Out Rack Frame	60.50H x 33.56W								B					
SCE-9036SOF19	Swing-Out Rack Frame	78.50H x 33.56W												B	
SCE-20RMW	Removable Wire Cover	20.00D	•	•	•	•	•	•	•	•	•	•	•	•	•
SCE-72RA19TH	Type RA Rack Angle	61.25H	B												
SCE-72RA24TH	Type RA Rack Angle	61.25H				B	B								
SCE-72RP24F5	Type RP Full Rack Angle	61.25H	B												
SCE-72RP30F5	Type RP Full Rack Angle	61.25H				B	B								
SCE-72RP24F6	Type RP Half Rack Angle	31.50H	B												
SCE-72RP30F6	Type RP Half Rack Angle	31.50H				B	B								
SCE-90RP24F6	Type RP Half Rack Angle	40.25H	B												
SCE-72FSDPS	Heavy Duty Panel Support	69.25H	B	B	B	B	B								
SCE-90FSDPS	Heavy Duty Panel Support	87.25H												B	
SCE-72FSCPS	Center Panel Support	68.00H	•	•	•	•	•	•	•	•	•	•	•	•	•
SCE-90FSCPS	Center Panel Support	86.00H												•	
SCE-72FSCS	Center Support	69.50H	•	•	•	•	•	•	•	•	•	•	•	•	•
SCE-90FSCS	Center Support	87.50H												•	

FREE-STANDING ENCLOSURE ACCESSORIES

Panels (Full & Half Length) For Single-Door Enclosures

Panels for single-door enclosures can be positioned anywhere along the horizontal mounting channels. Half-length panels can be located in the upper or lower portion of the enclosure. Mounting hardware is included. Made of heavy gauge steel and powder coated white. GALV panels made of galvanized steel.

Panels (Full & Half Length) For Two-Door Enclosures

Panels for two-door enclosures can be positioned anywhere along the horizontal mounting channels. Half-length panels can be located in the upper or lower portion of the enclosure. Mounting hardware is included. Made of heavy gauge steel and powder coated white. GALV panels made of galvanized steel.

Side Mount Panels

Designed to provide extra mounting space on the side of an enclosure. Can be securely attached to the mounting channels. Plated mounting hardware is supplied. Bent on vertical sides. Made of heavy gauge steel and powder coated white.

Catalog No.	Panel Height	Panel Width	Enclosure Height	Enclosure Width	Product Code	List Price
Full Panel						
SCE-60P24F1	48.00	20.00	60.00	24.00	P3	173.85
SCE-60P36F1	48.00	32.00	60.00	36.00	P3	226.00
SCE-72P24F1	60.00	20.00	72.00	24.00	P3	196.20
SCE-72P30F1	60.00	26.00	72.00	30.00	P3	228.49
SCE-72P36F1	60.00	32.00	72.00	36.00	P3	258.29
SCE-90P24F1	78.00	20.00	90.00	24.00	P3	228.49
SCE-90P36F1	78.00	32.00	90.00	36.00	P3	310.45
SCE-72P30F1GALV	60.00	26.00	72.00	30.00	P3	260.11
SCE-72P36F1GALV	60.00	32.00	72.00	36.00	P3	303.77

Catalog No.	Panel Height	Panel Width	Enclosure Height	Enclosure Width	Product Code	List Price
Half Panel						
SCE-60P24F2	24.88	20.00	60.00	24.00	P3	116.72
SCE-60P36F2	24.88	32.00	60.00	36.00	P3	141.56
SCE-72P24F2	30.88	20.00	72.00	24.00	P3	126.66
SCE-72P30F2	30.88	26.00	72.00	30.00	P3	141.56
SCE-72P36F2	30.88	32.00	72.00	36.00	P3	158.95
SCE-90P24F2	39.88	20.00	90.00	24.00	P3	141.56
SCE-90P36F2	39.88	32.00	90.00	36.00	P3	183.79

Catalog No.	Panel Height	Panel Width	Enclosure Height	Enclosure Width	Product Code	List Price
Full Panel						
SCE-60P48F1	48.00	44.00	60.00	48.00	P3	362.60
SCE-72P48F1	60.00	44.00	72.00	48.00	P3	409.79
SCE-72P60F1	60.00	56.00	72.00	60.00	P3	474.36
SCE-72P72F1	60.00	68.00	72.00	72.00	P3	541.42
SCE-90P48F1	78.00	44.00	90.00	48.00	P3	481.82
SCE-90P72F1	78.00	68.00	90.00	72.00	P3	650.69
SCE-72P60F1GALV	60.00	56.00	72.00	60.00	P3	532.07
SCE-72P72F1GALV	60.00	68.00	72.00	72.00	P3	612.37
SCE-90P72F1GALV	78.00	68.00	90.00	72.00	P3	790.56

Catalog No.	Panel Height	Panel Width	Enclosure Height	Enclosure Width	Product Code	List Price
Half Panel						
SCE-72P48F2	30.88	44.00	72.00	48.00	P3	260.78
SCE-72P60F2	30.88	56.00	72.00	60.00	P3	295.55
SCE-72P72F2	30.88	68.00	72.00	72.00	P3	327.83
SCE-90P48F2	39.88	44.00	90.00	48.00	P3	298.03
SCE-90P72F2	39.88	68.00	90.00	72.00	P3	384.95

Catalog No.	Panel Height	Panel Width	Enclosure Height	Enclosure Width	Product Code	List Price
SCE-60SMP14	48.00	14.00	60.00	18.00	P3	138.74
SCE-72SMP14	60.00	14.00	72.00	18.00	P3	155.72
SCE-72SMP20	60.00	20.00	72.00	24.00	P3	192.53
SCE-90SMP14	78.00	14.00	90.00	18.00	P3	226.51
SCE-90SMP20	78.00	20.00	90.00	24.00	P3	235.00
SCE-90SMP30	78.00	30.00	90.00	36.00	P3	254.81

Phone (989) 799-6871
Fax (989) 799-4524



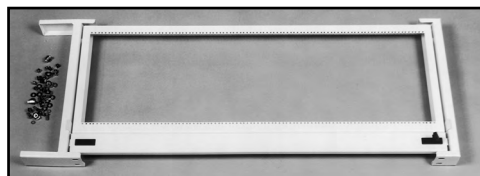
1 Operator System Enclosures
 2 Wall-Mount Enclosures
 3 Free-Standing & Floor-Mounted Enclosures
 4 Modular Enclosures
 5 Operator System Enclosures (Stainless Steel)
 6 Wall-Mount Enclosures (Stainless Steel)
 7 Free-Standing & Floor-Mounted Enclosures (Stainless Steel)
 8 Non-Metallic Enclosures
 9 Accessories
 10 Technical Information
 11 Index

Catalog No.	Panel Height	Panel Width	Enclosure Height	Enclosure Width	Product Code	List Price
Full Panel						
SCE-72SP24F3	60.00	18.81	72.00	24.00	P2	392.41
SCE-72SP30F3	60.00	24.81	72.00	30.00	P2	454.50
SCE-72SP36F3	60.00	30.81	72.00	36.00	P2	516.59
SCE-90SP36F3	78.00	30.81	90.00	36.00	P2	613.44
Half Panel						
SCE-72SP24F4	30.88	18.81	72.00	24.00	P3	279.03
SCE-72SP30F4	30.88	24.81	72.00	30.00	P2	300.51
SCE-72SP36F4	30.88	30.81	72.00	36.00	P2	335.28
SCE-90SP36F4	39.88	30.81	90.00	36.00	P2	387.44

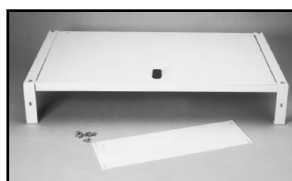


Catalog No.	Notes	Product Code	List Price
SCE-FSPS4	Set of 4	P2	55.88
SCE-FSPS6	Set of 6	P2	84.44
SCE-FSPS8	Set of 8	P2	126.66

Catalog No.	No. of Units	Enclosure Height	Enclosure Width	Product Code	List Price
SCE-7230SOF19	33	72.00	30.00	P2	389.92
SCE-7236SOF19	33	72.00	36.00	P2	419.73
SCE-9036SOF19	43	90.00	36.00	P2	442.08



Catalog No.	Height (A)	Width (B)	Depth (C)	Enclosure Depth	Product Code	List Price
SCE-14RMW	6.00	35.00	14.00	18.00	P2	198.69
SCE-20RMW	6.00	35.00	20.00	24.00	P2	223.52



FREE-STANDING ENCLOSURE ACCESSORIES

Swing-Out Panels

Panels are available full length and half length and can be mounted on either side of the enclosure. Panels have heavy gauge steel support frames and concealed hinges to allow the panel to swing completely out of the enclosure. Mounting hardware is included. Made of heavy gauge steel and powder coated white. For technical information, consult our Installation Manual at www.saginawcontrol.com.

Individual Panel Supports

Individual panel supports are available for additional equipment mounting. All mounting hardware included. Made of heavy gauge steel and plated.

Swing-Out Rack Mounting Frames

Designed for mounting 19.00" rack-mounting equipment. The frame pivots within the enclosure for access to the back of the mounted equipment. A nylon bearing allows easy movement. Quick release latches hold the frame closed. One clip nut package (CN1032) is included. Made of heavy gauge steel and powder coated white. For technical information, consult our Installation Manual at www.saginawcontrol.com.

Removable Wire Cover

Designed to cover the wires in the bottom of the enclosure. One wire cover required per door. Mounting hardware is included. Made of heavy gauge steel and powder coated white.



Phone (989) 799-6871
Fax (989) 799-4524

Your Enclosure Source®

1 Operator System Enclosures
 2 Wall-Mount Enclosures
 3 Free-Standing & Floor-Mounted Enclosures
 4 Modular Enclosures
 5 Operator System Enclosures (Stainless Steel)
 6 Wall-Mount Enclosures (Stainless Steel)
 7 Free-Standing & Floor-Mounted Enclosures (Stainless Steel)
 8 Non-Metallic Enclosures
 9 Accessories
 10 Technical Information
 11 Index

FREE-STANDING ENCLOSURE ACCESSORIES

Rack Mounting Angle (Type RA) - "U Shape"

Designed for mounting 19 inch and 24 inch rack mount equipment. Available in pairs of full length angles with mounting holes. Use clip nut package (CN1032) to provide tapped holes. Mounting hardware is supplied. Made of heavy gauge steel and powder coated white.

Rack Mounting Angle (Type RP) - "L Shape"

Designed for mounting 19 inch and 24 inch rack mount equipment. Available in pairs of full length angles with mounting holes. Use clip nut package (CN1032) to provide tapped holes. Mounting hardware is supplied. Made of heavy gauge steel and powder coated white.

Rack Filler Panel

Made of heavy gauge steel with black textured powder coat finish.

Clamping Nuts

Clamping nuts with a #10-32 retained nut will fit all rack mounting angles and rack mounting frames, to provide tapped holes. Nuts are zinc plated.

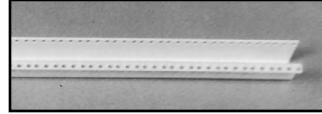
Channel Nuts

Designed for use in free-standing enclosures to allow mounting of additional equipment. Nuts are zinc plated.

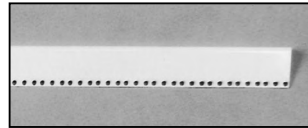
Channel Nut Kit

Designed for use with the light channels on the inside top of SCE larger enclosures to allow easy installation of lights. Nuts are zinc plated.

Catalog No.	Angle Length	Enclosure Height	Enclosure Width	Rack Size	Product Code	List Price
SCE-60RA19TH	49.00	60.00	24.00	19	P2	106.80
SCE-72RA19TH	61.25	72.00	24.00	19	P2	114.24
SCE-72RA24TH	61.25	72.00	30.00	24	P2	114.24
SCE-90RA19TH	78.75	90.00	24.00	19	P2	124.18



Catalog No.	Angle Length	Enclosure Height	Enclosure Width	Length	Rack Size	Product Code	List Price
SCE-60RP24F5	49.00	60.00	24.00	Full	19	P2	106.80
SCE-72RP24F5	61.25	72.00	24.00	Full	19	P2	124.18
SCE-72RP30F5	61.25	72.00	30.00	Full	24	P2	124.18
SCE-90RP24F5	78.75	90.00	24.00	Full	19	P2	166.40
SCE-60RP24F6	26.25	60.00	24.00	Half	19	P2	62.09
SCE-72RP24F6	31.50	72.00	24.00	Half	19	P2	76.99
SCE-72RP30F6	31.50	72.00	30.00	Half	24	P2	76.99
SCE-90RP24F6	40.25	90.00	24.00	Half	19	P2	94.38



Catalog No.	Height	Width	Product Code	List Price
SCE-19-1U	1.75	19.00	P2	9.32
SCE-19-2U	3.50	19.00	P2	15.52
SCE-19-3U	5.25	19.00	P2	21.71

Catalog No.	Quantity Per Kit	Product Code	List Price
SCE-CN1032	20	P2	32.31

Catalog No.	Description	Quantity Per Kit	Product Code	List Price
SCE-PS1420CN	1/4 - 20 Strut Nut	20	P2	42.22
SCE-PS3816CN	3/8 - 16 Strut Nut	20	P2	42.22

Catalog No.	Description	Quantity Per Kit	Product Code	List Price
SCE-PS1032CN	10-32 Channel Nut	20	P2	36.02

Phone (989) 799-6871
Fax (989) 799-4524



HEAVY-DUTY PANEL SUPPORTS

Catalog No.	Enclosure Height	Support Length	Product Code	List Price
SCE-60FSHDPS	60.00	57.25	P2	114.24
SCE-72FSHDPS	72.00	69.25	P2	124.18
SCE-90FSHDPS	90.00	87.25	P2	136.60

CENTER PANEL SUPPORTS

Catalog No.	Enclosure Height	Product Code	List Price
SCE-60FSCPS	60.00	P2	119.22
SCE-72FSCPS	72.00	P2	131.63
SCE-90FSCPS	90.00	P2	156.47

CENTER SUPPORTS

Catalog No.	Enclosure Height	Product Code	List Price
SCE-72FSCS	72.00	P2	131.63
SCE-90FSCS	90.00	P2	156.47



Heavy-Duty Panel Supports



Center Panel Supports



Center Supports

FREE-STANDING ENCLOSURE ACCESSORIES

Heavy-Duty Panel Supports

Available in pairs to mount panels when heavy equipment is installed on the panels. Panel mounting studs are adjustable so a panel of any height can be mounted. Used in place of individual supports. Mounting hardware furnished with enclosures. Made of heavy gauge steel and powder coated white. For technical information consult our Installation Manual at www.saginawcontrol.com.

Center Panel Supports

Designed to be installed in any two-door single access or dual access free-standing enclosure. For installation of panels, swing-out panels, rack mounting angles, and swing-out rack mounting frames. The center panel support can be positioned from front to back in the enclosure. Plated mounting hardware is supplied. Made of heavy gauge steel and powder coated white. For technical information consult our Installation Manual at www.saginawcontrol.com.

Center Supports

Designed to attach to the top and bottom mounting channels of the enclosure. Provides support for full and half panels in any free-standing two-door enclosure. Can be positioned from front to back in the enclosure. Can be used with heavy duty panel supports to use panels of various heights. Mounting hardware is included. Made of heavy gauge steel and powder coated white.

Multi-Door Enclosures

Application -

Designed to house electrical equipment and provide degree of protection from dirt, dust, oil and water. For installation information, consult our Installation Manual at www.saginawcontrol.com.

Construction -

- 0.125" carbon steel.
- Seams continuously welded and ground smooth.
- Heavy duty lifting eyes.
- Reinforced top.
- Steel stiffeners welded to back inside of enclosure.
- Overlapping two-door openings have no center post.
- Black zinc die cast padlocking handle.
- 3-point latching mechanism.
- Concealed hinges.
- Mechanical interlock.
- Far right hand door is main door.
- Panel supports.
- Removable sub-panels are mounted on collar studs.
- Oil-resistant door gasket.
- Ground stud on door and body.
- Removable print pocket.
- Flange trough collar around all sides of door opening.
- Hole plugs provided to seal holes in bottom of enclosure.
- Provisions for light kit.

Finish -

ANSI-61 gray powder coated inside and out. Sub-panels powder coated white.

IS3 - Industry Standards -

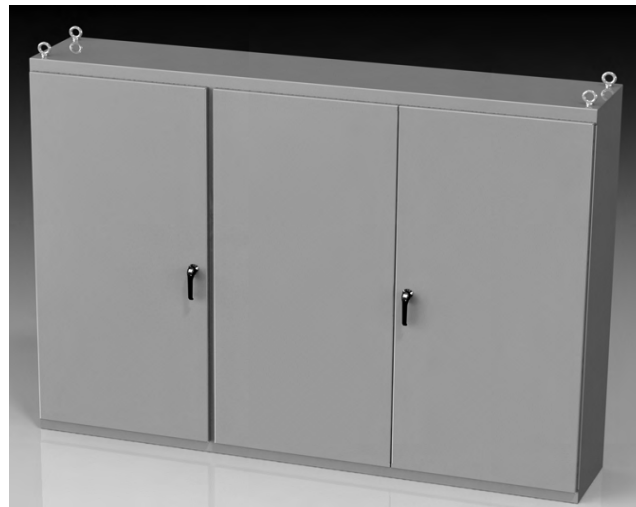
NEMA Type 3R, 12 & Type 13
 UL Listed Type 3R & 12
 CSA Type 3R & 12
 IEC 60529 IP55

***Special Instructions apply for IS3, IS4 and IS6 to maintain the environmental rating of Type 3R for these parts. See the Special Instructions on the Industry Standards page in the Technical Information Section.

MULTI-DOOR ENCLOSURES

ENCLOSURE PRODUCT CODE A2						SUB-PANEL (P3)			
Catalog No.	Height (A)	Width (B)	Depth (C)	Industry Standard	List Price	Catalog No.	Panel Height (D)	Panel Width (E)	List Price
SCE-86M3E	86.00	112.00	14.00	IS3	5,160.24	SCE-82P76* & SCE-82P37*	78.00	72.00	1,276.51
SCE-86M3E20	86.00	112.00	20.00	IS3	5,701.76	SCE-82P76* & SCE-82P37*	78.00	72.00	1,276.51
SCE-86M4E	86.00	149.19	14.00	IS3	6,599.08	SCE-82P76* (2)	78.00	72.00	1,601.62
SCE-86M4E20	86.00	149.19	20.00	IS3	7,523.88	SCE-82P76* (2)	78.00	72.00	1,601.62
SCE-86M5E	86.00	187.00	14.00	IS3	8,416.60	SCE-82P76* (2) & SCE-82P37*	78.00	72.00	1,276.51
SCE-86M5E20	86.00	187.00	20.00	IS3	9,294.37	SCE-82P76* (2) & SCE-82P37*	78.00	72.00	1,276.51

***Sub-panel included with enclosure. Replacement sub-panels can be ordered. Prices found in the accessory section.*

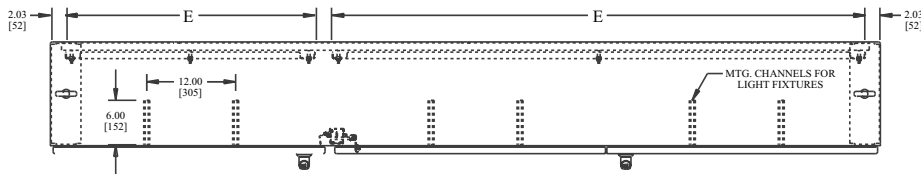


Phone (989) 799-6871
 Fax (989) 799-4524

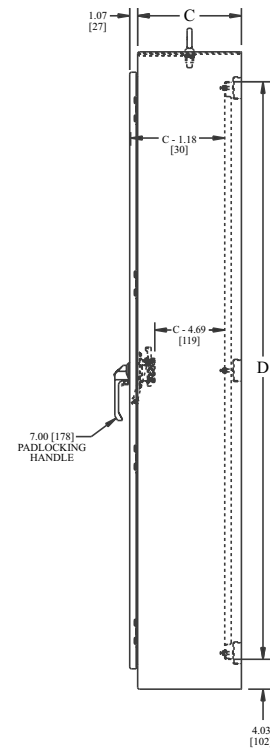
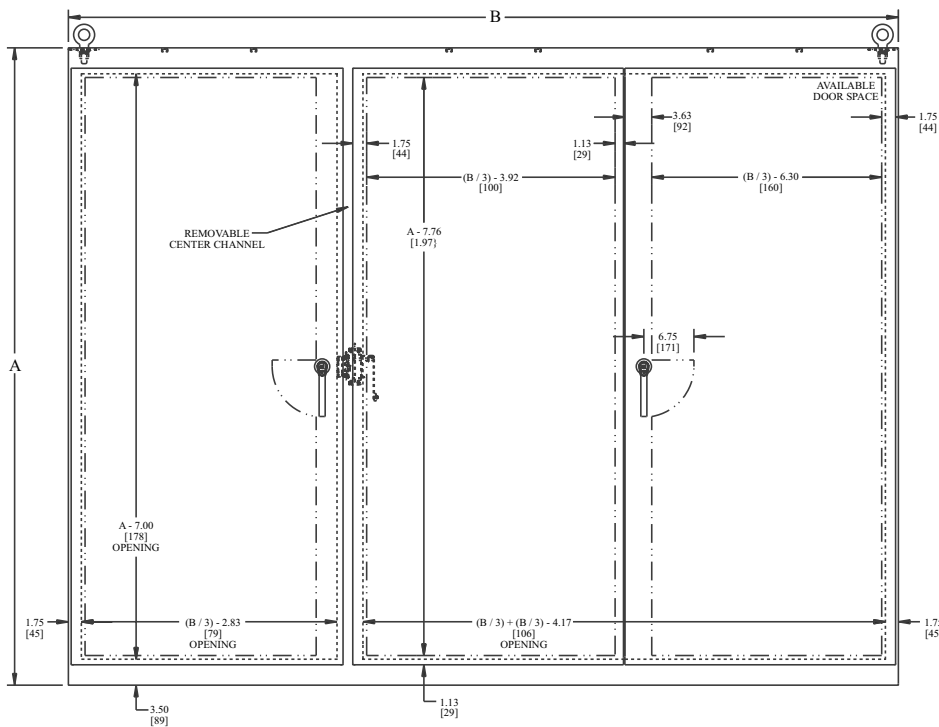


MULTI-DOOR ENCLOSURES TECHNICAL DATA

THREE-DOOR ENCLOSURE

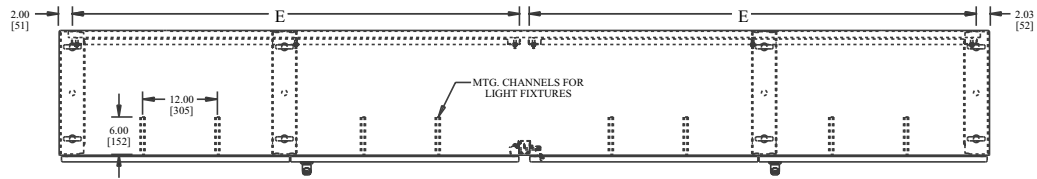


EYEBOLT NOTES:
 Enclosure has one row of eyebolts when C = 14.00" [356]
 Enclosure has two rows of eyebolts when C = 20.00" [508]



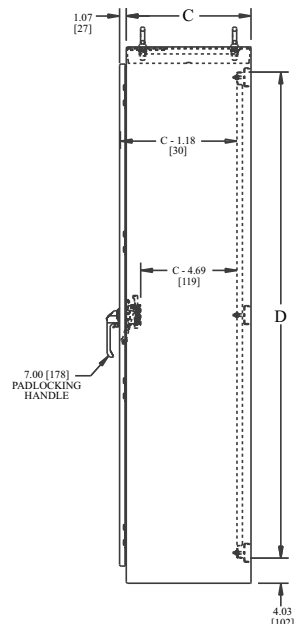
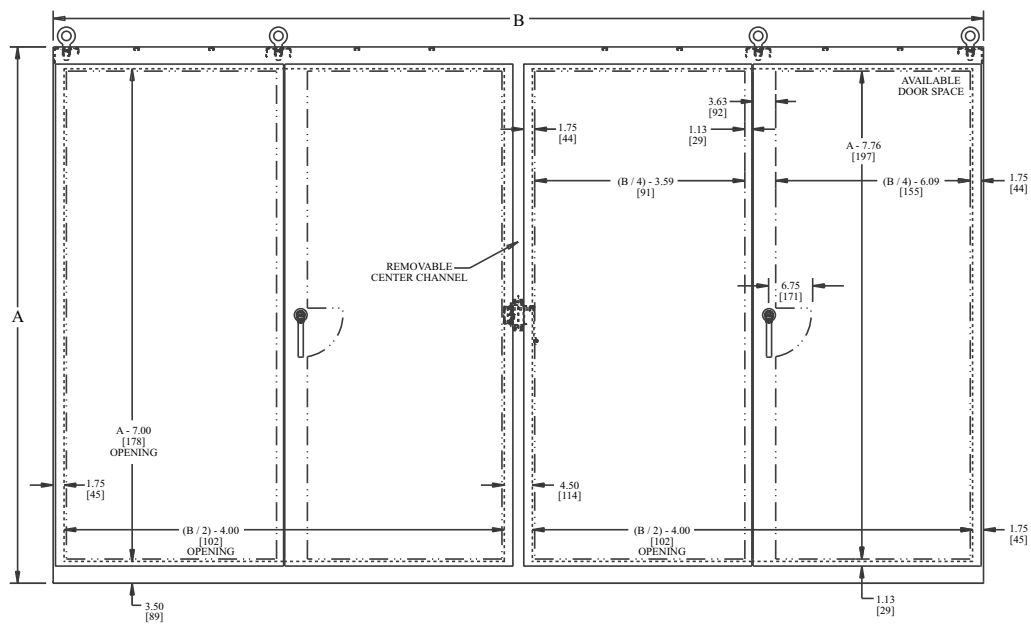
MULTI-DOOR ENCLOSURES TECHNICAL DATA

FOUR-DOOR ENCLOSURE



EYEBOLT NOTES:

Enclosure has one row of eyebolts when C = 14.00" [356]
 Enclosure has two rows of eyebolts when C = 20.00" [508]



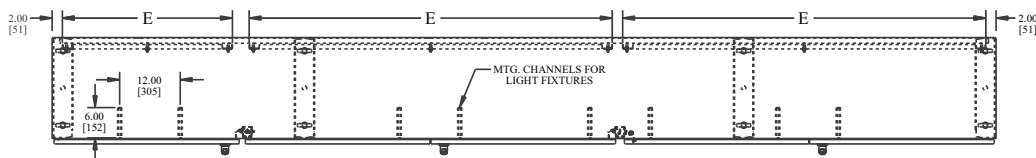
1 Operator System Enclosures
 2 Wall-Mount Enclosures
 3 Free-Standing & Floor-Mounted Enclosures
 4 Modular Enclosures
 5 Operator System Enclosures (Stainless Steel)
 6 Wall-Mount Enclosures (Stainless Steel)
 7 Free-Standing & Floor-Mounted Enclosures (Stainless Steel)
 8 Non-Metallic Enclosures
 9 Accessories
 10 Technical Information
 11 Index

Phone (989) 799-6871
 Fax (989) 799-4524

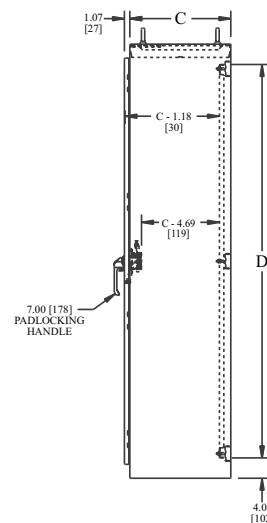
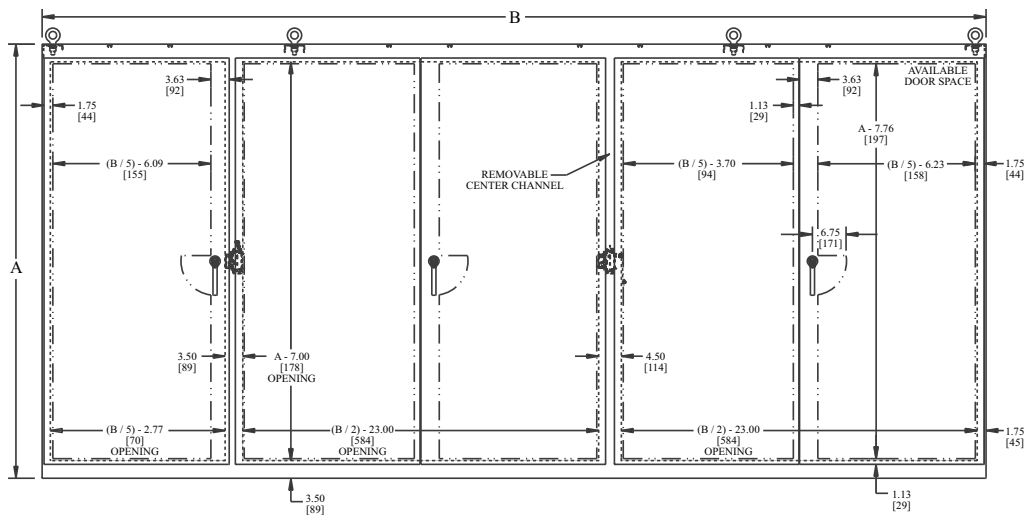


MULTI-DOOR ENCLOSURES TECHNICAL DATA

FIVE-DOOR ENCLOSURE



EYEBOLT NOTES:
Enclosure has one row of eyebolts when $C = 14.00''$ [356]
Enclosure has two rows of eyebolts when $C = 20.00''$ [508]



Multi-Door Free-Standing / Wall- Mount Enclosures For Flange-Mounted Disconnects

Application -

Designed to easily accommodate various types of mounting methods with minimal modifications. Provisions are provided in the back of the enclosure for wall or frame mounting, and in the bottom for wall mount brackets, frame mount, or partial provisions for a floor stand kit. Enclosure is designed to house most standard type disconnects. For installation information, consult our Installation Manual at www.saginawcontrol.com.

Construction -

- 0.104" carbon steel.
- Seams continuously welded and ground smooth.
- Flange trough collar around all sides of door opening.
- Body stiffeners in large enclosures for extra rigidity.
- Heavy duty lifting eyes anchor into reinforced top.
- Removable center posts permit easy sub-panel installation.
- Concealed hinges.
- Black zinc die cast coinproof/padlocking handle on main door with black zinc die cast padlocking handle on slave doors.
- 3-point latching mechanism.
- Ends of latch rods have ramp shoes for easier door closing.
- Panel supports.
- Large removable print pockets.
- Oil-resistant gasket.
- Defeater on master door requires a screwdriver to open.
- Ground stud on door and body.
- Collar studs for mounting optional sub-panel.
- Provisions for light kit.
- Hole plugs provided to seal holes in bottom of enclosure.

Disconnect switch (or circuit breaker) and operating mechanism are not furnished with enclosure.

Finish -

ANSI-61 gray powder coated inside and out. Optional sub-panels powder coated white.

IS3 - Industry Standards -

NEMA Type 3R, 12 & Type 13
UL Listed Type 3R & 12
CSA Type 3R & 12
IEC 60529 IP55

IS4 - Industry Standards -

NEMA Type 3R, 4, 12 & Type 13
UL Listed Type 3R, 4 & 12
CSA Type 3R, 4 & 12
IEC 60529 IP66

***Special Instructions apply for IS3, IS4 and IS6 to maintain the environmental rating of Type 3R for these parts. See the Special Instructions on the Industry Standards page in the Technical Information Section.

TWO-DOOR FREE-STANDING / WALL-MOUNT ENCLOSURES FOR FLANGE-MOUNTED DISCONNECTS

ENCLOSURE PRODUCT CODE A2						SUB-PANEL (P3)			
Catalog No.	Height (A)	Width (B)	Depth (C)	Industry Standard	List Price	Catalog No.	Panel Height (D)	Panel Width (E)	List Price
SCE-36X2D5412	36.00	53.75	12.00	IS4	1,463.80	SCE-36P52	32.00	48.00	161.54
SCE-42X2D5412	42.00	53.75	12.00	IS4	1,530.37	SCE-42P52	38.00	48.00	209.39
SCE-48X2D7812	48.00	77.75	12.00	IS3	1,904.94	SCE-48P76	44.00	72.00	351.48
SCE-48X2D7818	48.00	77.75	18.00	IS3	2,125.52	SCE-48P76	44.00	72.00	351.48
SCE-60X2D7818	60.00	77.75	18.00	IS3	2,899.70	SCE-60P76	56.00	72.00	411.28



Phone (989) 799-6871

Fax (989) 799-4524



THREE-DOOR FREE-STANDING / WALL-MOUNT ENCLOSURES FOR FLANGE-MOUNTED DISCONNECTS

ENCLOSURE PRODUCT CODE A2						SUB-PANEL (P3)			
Catalog No.	Height (A)	Width (B)	Depth (C)	Industry Standard	List Price	Catalog No.	Panel Height (D)	Panel Width (E)	List Price
SCE-48X3D11818	48.00	117.50	18.00	IS3	3,065.56	SCE-48P76	44.00	72.00	351.48
						& SCE-48P37	44.00	34.00	148.54

FOUR-DOOR FREE-STANDING / WALL-MOUNT ENCLOSURES FOR FLANGE-MOUNTED DISCONNECTS

ENCLOSURE PRODUCT CODE A2						SUB-PANEL (P3)			
Catalog No.	Height (A)	Width (B)	Depth (C)	Industry Standard	List Price	Catalog No.	Panel Height (D)	Panel Width (E)	List Price
SCE-48X4D15818	48.00	157.50	18.00	IS3	4,186.87	SCE-48P76 (2)	44.00	72.00	351.48



Phone (989) 799-6871
Fax (989) 799-4524

Multi-Door Free-Standing / Wall-Mount Enclosures For Flange-Mounted Disconnects

Application -

Designed to easily accommodate various types of mounting methods with minimal modifications. Provisions are provided in the back of the enclosure for wall or frame mounting, and in the bottom for wall mount brackets, frame mount, or partial provisions for a floor stand kit. Enclosure is designed to house most standard type disconnects. For installation information, consult our Installation Manual at www.saginawcontrol.com.

Construction -

- 0.104" carbon steel.
- Seams continuously welded and ground smooth.
- Flange trough collar around all sides of door opening.
- Body stiffeners in large enclosures for extra rigidity.
- Heavy duty lifting eyes anchor into reinforced top.
- Removable center posts permit easy sub-panel installation.
- Concealed hinges.
- Black zinc die cast coinproof/padlocking handle on main door with black zinc die cast padlocking handle on slave doors.
- 3-point latching mechanism.
- Ends of latch rods have ramp shoes for easier door closing.
- Panel supports.
- Large removable print pockets.
- Oil-resistant gasket.
- Defeater on master door requires a screwdriver to open.
- Ground stud on door and body.
- Collar studs for mounting optional sub-panel.
- Provisions for light kit.
- Hole plugs provided to seal holes in bottom of enclosure.

Disconnect switch (or circuit breaker) and operating mechanism are not furnished with enclosure.

Finish -

ANSI-61 gray powder coated inside and out. Optional sub-panels powder coated white.

IS3 - Industry Standards -

NEMA Type 3R, 12 & Type 13
UL Listed Type 3R & 12
CSA Type 3R & 12
IEC 60529 IP55

IS4 - Industry Standards -

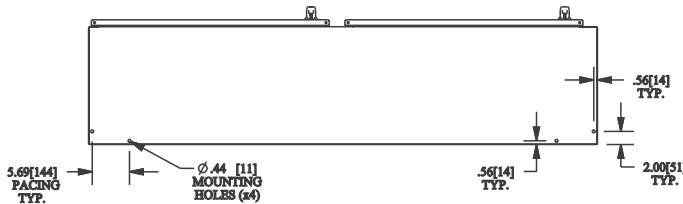
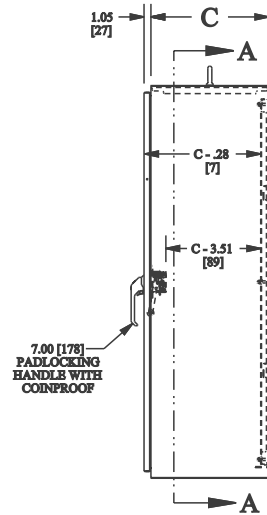
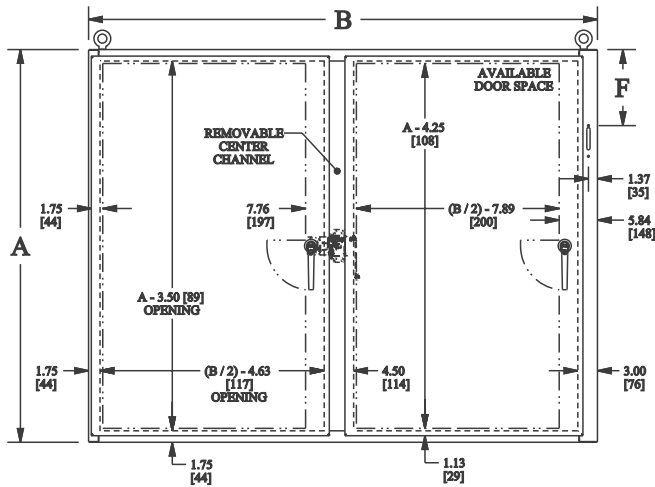
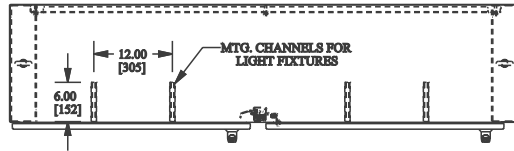
NEMA Type 3R, 4, 12 & Type 13
UL Listed Type 3R, 4 & 12
CSA Type 3R, 4 & 12
IEC 60529 IP66

***Special Instructions apply for IS3, IS4 and IS6 to maintain the environmental rating of Type 3R for these parts. See the Special Instructions on the Industry Standards page in the Technical Information Section.

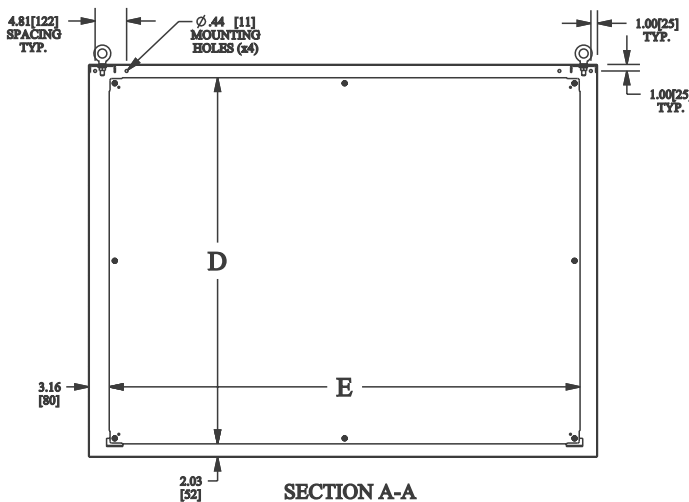
MULTI-DOOR FREE-STANDING / WALL-MOUNT ENCLOSURES FOR FLANGE-MOUNTED DISCONNECTS

TECHNICAL DATA

TWO-DOOR ENCLOSURE



DISCONNECT NOTES:
 F = 4.75 [121] when C = 8.00 [203]
 F = 7.09 [180] when C = 10.00 [254]
 F = 11.62 [295] when C = 18.00 [457]

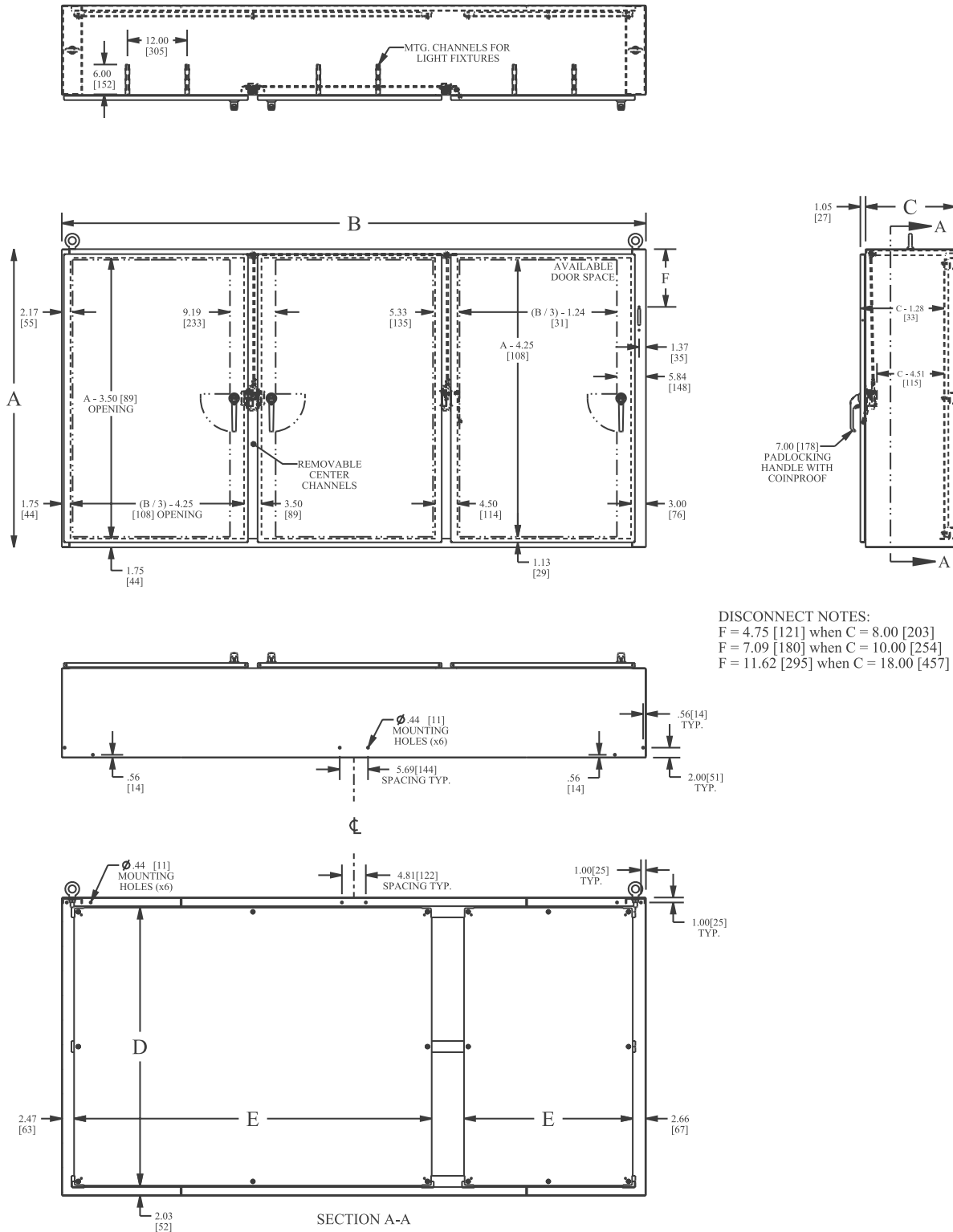


1 Operator System Enclosures
 2 Wall-Mount Enclosures
 3 Free-Standing & Floor-Mounted Enclosures
 4 Modular Enclosures
 5 Operator System Enclosures (Stainless Steel)
 6 Wall-Mount Enclosures (Stainless Steel)
 7 Free-Standing & Floor-Mounted Enclosures (Stainless Steel)
 8 Non-Metallic Enclosures
 9 Accessories
 10 Technical Information
 11 Index

MULTI-DOOR FREE-STANDING / WALL-MOUNT ENCLOSURES FOR FLANGE-MOUNTED DISCONNECTS

TECHNICAL DATA

THREE-DOOR ENCLOSURE

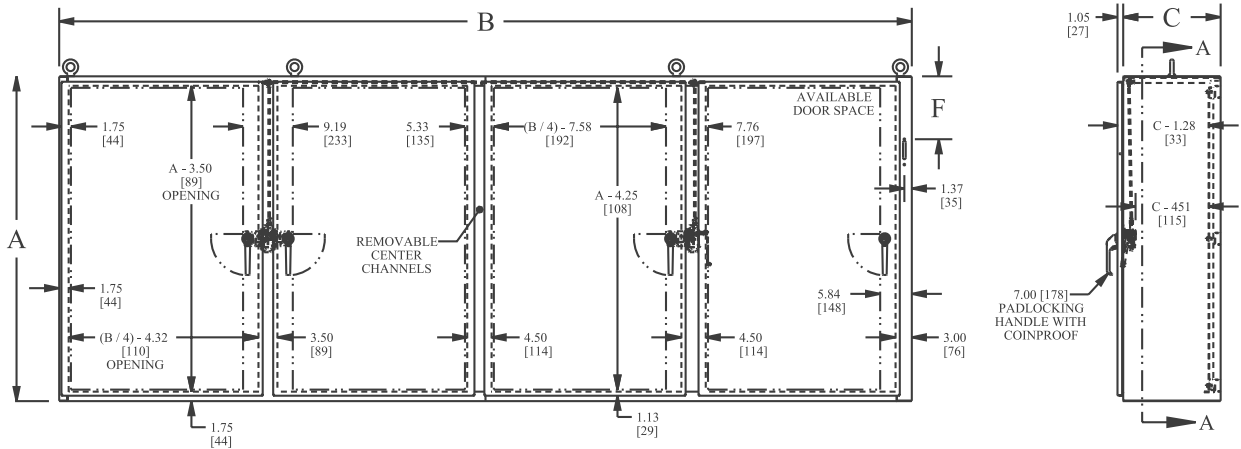
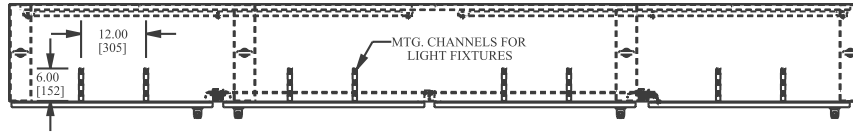


DISCONNECT NOTES:
 F = 4.75 [121] when C = 8.00 [203]
 F = 7.09 [180] when C = 10.00 [254]
 F = 11.62 [295] when C = 18.00 [457]

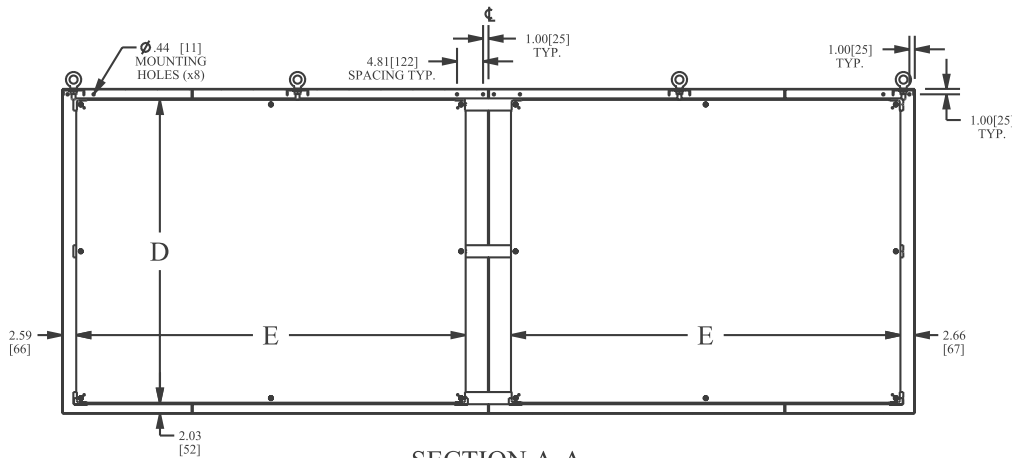
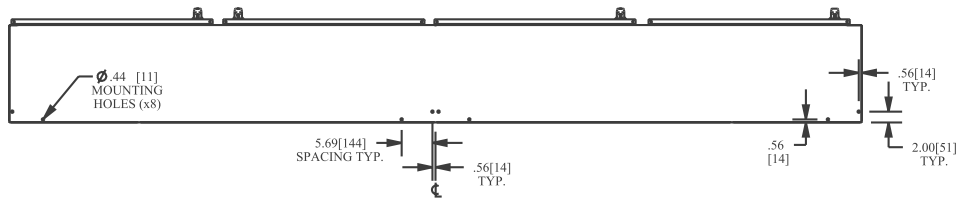
MULTI-DOOR FREE-STANDING / WALL-MOUNT ENCLOSURES FOR FLANGE-MOUNTED DISCONNECTS

TECHNICAL DATA

FOUR-DOOR ENCLOSURE



DISCONNECT NOTES:
 F = 4.75 [121] when C = 8.00 [203]
 F = 7.09 [180] when C = 10.00 [254]
 F = 11.62 [295] when C = 18.00 [457]



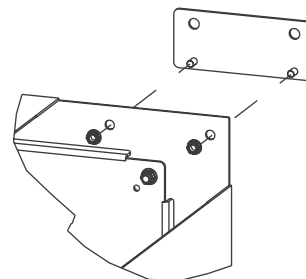
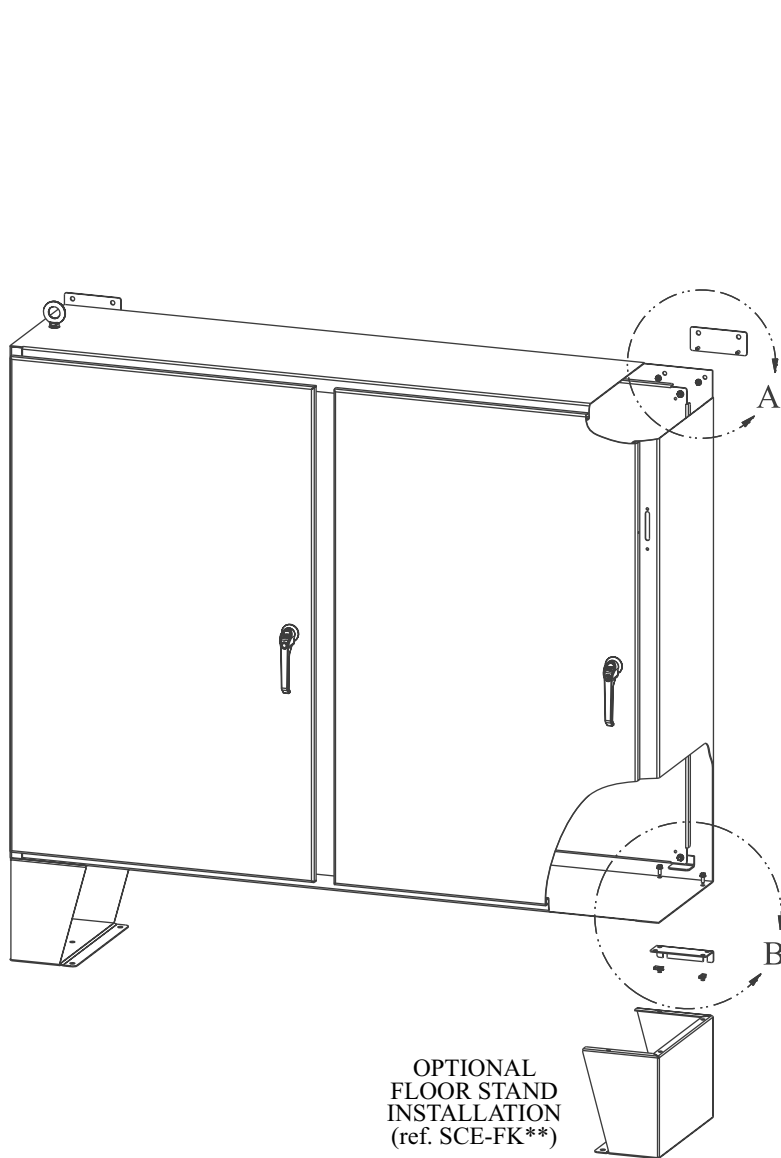
SECTION A-A

1 Operator System Enclosures
 2 Wall-Mount Enclosures
 3 Free-Standing & Floor-Mounted Enclosures
 4 Modular Enclosures
 5 Operator System Enclosures (Stainless Steel)
 6 Wall-Mount Enclosures (Stainless Steel)
 7 Free-Standing & Floor-Mounted Enclosures (Stainless Steel)
 8 Non-Metallic Enclosures
 9 Accessories
 10 Technical Information
 11 Index

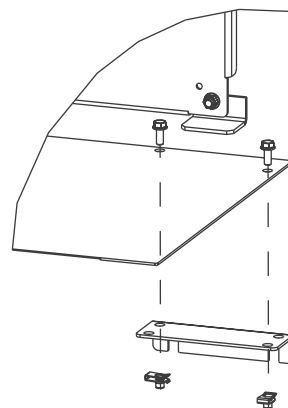
MULTI-DOOR FREE-STANDING / WALL-MOUNT ENCLOSURES FOR FLANGE-MOUNTED DISCONNECTS

TECHNICAL DATA

INSTALLATION OPTIONS



DETAIL A
OPTIONAL WALL MOUNT INSTALLATION



DETAIL B
OPTIONAL WALL MOUNT INSTALLATION (SCE-HDWMK)

NOTE:
PREFERRED INSTALLATION IS TO MOUNT ENCLOSURE THROUGH THE BACK AND BOTTOM TO THE MOUNTING SURFACE

Two-Door Disconnect Enclosures

Application -

Designed to house most standard type disconnects. For outdoor applications a drip shield and drain holes are required. For installation information, consult our Installation Manual at www.saginawcontrol.com.

Construction -

- 0.104" carbon steel.
- Seams continuously welded and ground smooth.
- Flange trough collar around all sides of door opening.
- Oil-resistant gasket.
- Concealed hinges.
- Removable and interchangeable doors.
- 3-point latching mechanism.
- Removable print pocket on main door of disconnect enclosures.
- Lifting eyes for easy handling.
- Ground studs on door and body.
- Collar studs provided for mounting optional sub-panels.
- Black quarter turn latches as required.
- 15" removable floor stands.
- Removable center post.
- Mechanical interlock
- No door stiffeners required.
- Black zinc die cast coinproof/padlocking handle on main door with black zinc die cast padlocking handle on slave door.
- Provisions for light kit.
- Hole plugs provided to seal holes in bottom of enclosure.

Disconnect switch (or circuit breaker) and operating mechanism are not furnished with this enclosure.

Finish -

ANSI-61 gray powder coated inside and out. Optional sub-panels powder coated white.

IS3 - Industry Standards -

NEMA Type 3R, 12 & Type 13
UL Listed Type 3R & 12
CSA Type 3R & 12
IEC 60529 IP55

IS4 - Industry Standards -

NEMA Type 3R, 4, 12 & Type 13
UL Listed Type 3R, 4, & 12
CSA Type 3R, 4 & 12
IEC 60529 IP66

***Special Instructions apply for IS3, IS4 and IS6 to maintain the environmental rating of Type 3R for these parts. See the Special Instructions on the Industry Standards page in the Technical Information Section.

TWO-DOOR ENCLOSURES WITH PROVISION FOR DISCONNECT ON RIGHT FLANGE

ENCLOSURE PRODUCT CODE A2						SUB-PANEL (P3)			
Catalog No.	Height (A)	Width (B)	Depth (C)	Industry Standard	List Price	Catalog No.	Panel Height (D)	Panel Width (E)	List Price
SCE-60XEL4912LP	60.00	49.00	12.00	IS4	2,142.65	SCE-60P48	56.00	44.00	268.38
SCE-60XEL4918LP	60.00	49.00	18.00	IS4	2,333.74	SCE-60P48	56.00	44.00	268.38
SCE-60XEL4924LP	60.00	49.00	24.00	IS4	2,524.84	SCE-60P48	56.00	44.00	268.38
SCE-60XEL6112LP	60.00	61.00	12.00	IS4	2,395.85	SCE-60P60	56.00	56.00	331.68
SCE-60XEL6118LP	60.00	61.00	18.00	IS4	2,609.64	SCE-60P60	56.00	56.00	331.68
SCE-60XEL6124LP	60.00	61.00	24.00	IS4	2,823.42	SCE-60P60	56.00	56.00	331.68
SCE-72XEL6112LP	72.00	61.00	12.00	IS4	2,653.84	SCE-72P60	68.00	56.00	394.98
SCE-72XEL6118LP	72.00	61.00	18.00	IS4	2,883.15	SCE-72P60	68.00	56.00	394.98
SCE-72X7312LP	72.00	73.00	12.00	IS3	2,947.64	SCE-72P72	68.00	68.00	470.93
SCE-72XEL7312LP	72.00	73.00	12.00	IS4	3,036.06	SCE-72P72	68.00	68.00	470.93
SCE-72X7318LP	72.00	73.00	18.00	IS3	3,202.04	SCE-72P72	68.00	68.00	470.93
SCE-72XEL7318LP	72.00	73.00	18.00	IS4	3,298.10	SCE-72P72	68.00	68.00	470.93
SCE-72X7324LP	72.00	73.00	24.00	IS3	3,457.63	SCE-72P72	68.00	68.00	470.93
SCE-72XEL7324LP	72.00	73.00	24.00	IS4	3,561.36	SCE-72P72	68.00	68.00	470.93

Part numbers that contain the letter "EL" with doors that are over 30 Inches wide have quarter turn latches on the center of the door top and bottom.

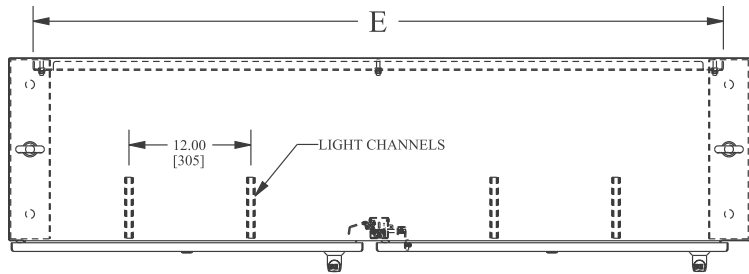


Phone (989) 799-6871
Fax (989) 799-4524



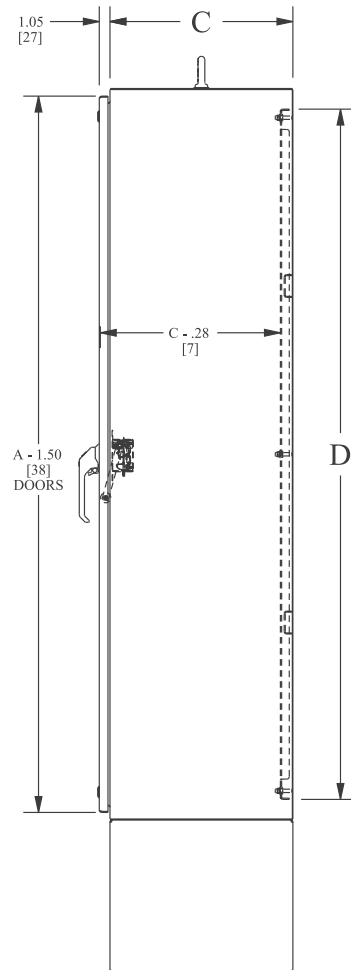
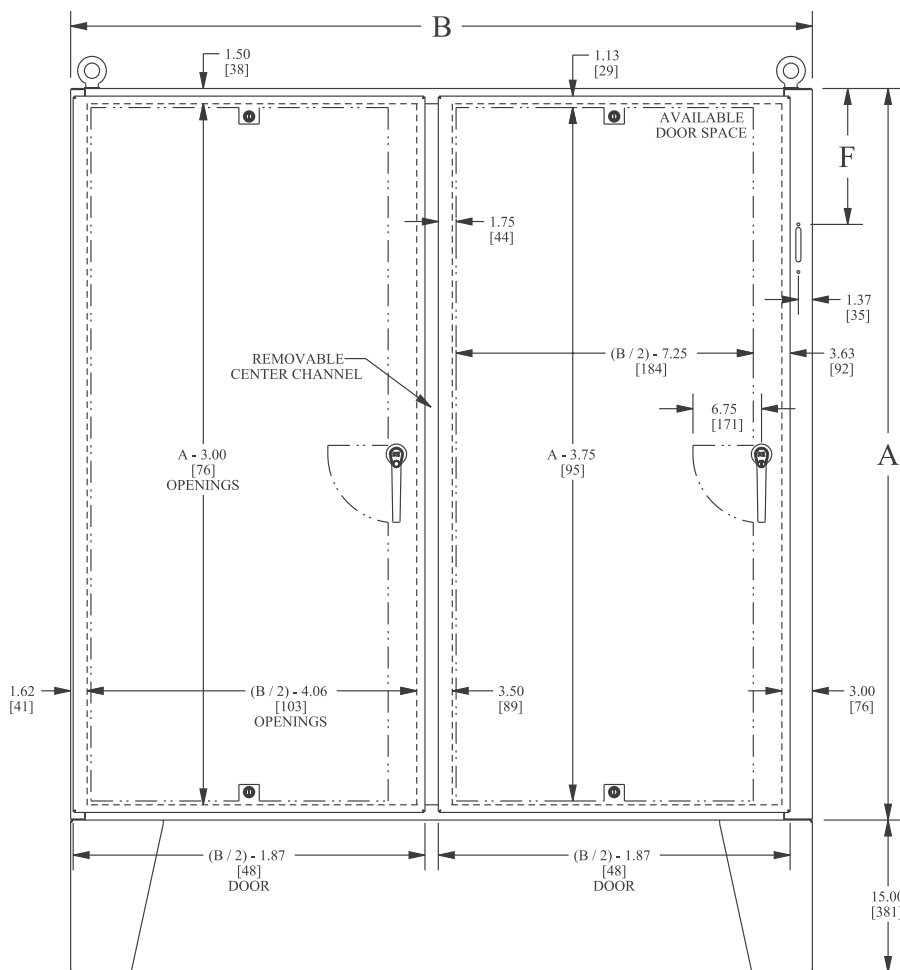
TWO-DOOR DISCONNECT ENCLOSURES

TECHNICAL DATA



DISCONNECT NOTES:
 $F = 7.88$ [200] when $A = 60.00$ [1524]
 $F = 13.38$ [340] when $A = 72.00$ [1829]

LATCH NOTES:
 "EL" part numbers with doors ≥ 30.00 [762] in width have additional latch centered top and bottom of door.



Heavy Duty Free-Standing Enclosures For Flange-Mounted Disconnects

Application -

Designed to house electrical equipment and provide degree of protection from dirt, dust, oil and water and to house most standard type disconnects. For installation information, consult our Installation Manual at www.saginawcontrol.com.

Construction -

- 0.125" carbon steel.
- Seams continuously welded and ground smooth.
- Flange trough collar around all sides of door opening.
- Body stiffeners in large enclosures for extra rigidity.
- Heavy duty lifting eyes anchor into reinforced top.
- Removable center posts permit easy sub-panel installation.
- Concealed hinges.
- Black zinc die cast coinproof/padlocking handle on main door with black zinc die cast padlocking handle on slave doors.
- 3-point latching mechanism.
- Ends of latch rods have ramp shoes for easier door closing.
- Panel supports.
- Large removable print pockets.
- Oil-resistant gasket.
- Removable sub-panels mount on collar studs.
- Defeater on master door requires a screwdriver to open.
- Hole plugs provided to seal holes in bottom of enclosure.
- Ground stud on door and body.
- Provisions for light kit.

Disconnect switch (or circuit breaker) and operating mechanism are not furnished with enclosure.

Finish -

ANSI-61 gray powder coated inside and out. Sub-panels powder coated white.

IS3 - Industry Standards -

NEMA Type 3R, 12 & Type 13
UL Listed Type 3R & 12
CSA Type 3R & 12
IEC 60529 IP55

IS4 - Industry Standards -

NEMA Type 3R, 4, 12 & Type 13
UL Listed Type 3R, 4 & 12
CSA Type 3R, 4 & 12
IEC 60529 IP66

***Special Instructions apply for IS3, IS4 and IS6 to maintain the environmental rating of Type 3R for these parts. See the Special Instructions on the Industry Standards page in the Technical Information Section.

HEAVY DUTY FREE-STANDING ENCLOSURES FOR FLANGE-MOUNTED DISCONNECTS SINGLE-DOOR ENCLOSURES

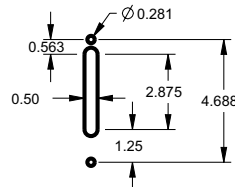
ENCLOSURE PRODUCT CODE A2						SUB-PANEL (P3)			
Catalog No.	Height (A)	Width (B)	Depth (C)	Industry Standard	List Price	Catalog No.	Panel Height (D)	Panel Width (E)	List Price
SCE-72XM2818	72.00	27.50	18.00	IS4	1,565.79	SCE-64P25**	60.00	21.75	1,150.00
SCE-72XM2818G	72.00	27.50	18.00	IS4	1,592.07	SCE-64P25GALV**	60.00	21.75	1,180.00
SCE-72XM3418	72.00	33.50	18.00	IS3	1,735.38	SCE-64P31**	60.00	27.75	1,160.00
SCE-72XM3418G	72.00	33.50	18.00	IS3	1,763.93	SCE-64P31GALV**	60.00	27.75	1,190.00
SCE-72XM4018	72.00	39.50	18.00	IS3	1,904.98	SCE-64P37**	60.00	33.75	1,180.00
SCE-72XM4018G	72.00	39.50	18.00	IS3	1,935.02	SCE-64P37GALV**	60.00	33.75	1,200.00
SCE-84XM4018	84.00	39.50	18.00	IS3	2,117.56	SCE-76P37**	72.00	33.75	1,250.00
SCE-84XM4018G	84.00	39.50	18.00	IS3	2,158.87	SCE-76P37GALV**	72.00	33.75	1,280.00
SCE-84XM4024	84.00	39.50	24.00	IS3	2,177.29	SCE-76P37**	72.00	33.75	1,250.00
SCE-84XM4024G	84.00	39.50	24.00	IS3	2,218.61	SCE-76P37GALV**	72.00	33.75	1,280.00
SCE-90XM4018	90.00	39.50	18.00	IS3	2,268.06	SCE-82P37**	78.00	33.75	1,270.00
SCE-90XM4018G	90.00	39.50	18.00	IS3	2,268.06	SCE-82P37GALV**	78.00	33.75	1,300.00
SCE-90XM4024	90.00	39.50	24.00	IS3	2,428.09	SCE-82P37**	78.00	33.75	1,270.00
SCE-90XM4024G	90.00	39.50	24.00	IS3	2,474.01	SCE-82P37GALV**	78.00	33.75	1,300.00

XM ENCLOSURES

* Add the letter U to the end of the part number for enclosures with a universal disconnect cutout.

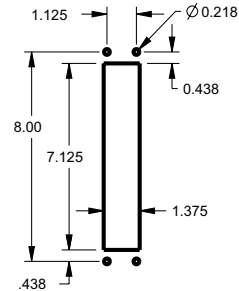
Standard Disconnect cutout provided

D 1



Universal Disconnect cutout

D 7



Part numbers ending in "G" have galvanized sub-panels installed.

** Sub-panel included with enclosure.
Replacement sub-panels can be ordered.
Prices found in the accessory section.

Phone (989) 799-6871
Fax (989) 799-4524

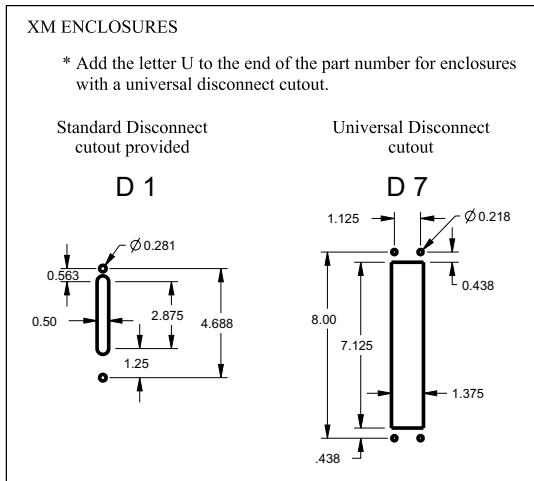


1 Operator System Enclosures
2 Wall-Mount Enclosures
3 Free-Standing & Floor-Mounted Enclosures
4 Modular Enclosures
5 Operator System Enclosures (Stainless Steel)
6 Wall-Mount Enclosures (Stainless Steel)
7 Free-Standing & Floor-Mounted Enclosures (Stainless Steel)
8 Non-Metallic Enclosures
9 Accessories
10 Technical Information
11 Index

HEAVY DUTY FREE-STANDING ENCLOSURES FOR FLANGE-MOUNTED DISCONNECTS

TWO-DOOR ENCLOSURES

ENCLOSURE PRODUCT CODE A2						SUB-PANEL (P3)			
Catalog No.	Height (A)	Width (B)	Depth (C)	Industry Standard	List Price	Catalog No.	Panel Height (D)	Panel Width (E)	List Price
SCE-72XM5418	72.00	53.75	18.00	IS4	2,748.19	SCE-64P52**	60.00	48.00	1,334.00
SCE-72XM5418G	72.00	53.75	18.00	IS4	2,792.29	SCE-64P52GALV**	60.00	48.00	1,384.00
SCE-72XM6618	72.00	65.75	18.00	IS3	3,096.93	SCE-64P64**	60.00	60.00	1,602.00
SCE-72XM6618G	72.00	65.75	18.00	IS3	3,220.91	SCE-64P64GALV**	60.00	60.00	1,652.00
SCE-72XM7818	72.00	77.75	18.00	IS3	3,444.49	SCE-64P76**	60.00	72.00	1,825.00
SCE-72XM7818G	72.00	77.75	18.00	IS3	3,561.16	SCE-64P76GALV**	60.00	72.00	1,875.00
SCE-72XM7824	72.00	77.75	24.00	IS3	3,691.72	SCE-64P76**	60.00	72.00	1,825.00
SCE-72XM7824G	72.00	77.75	24.00	IS3	3,808.59	SCE-64P76GALV**	60.00	72.00	1,875.00
SCE-84XM7818	84.00	77.75	18.00	IS3	3,823.10	SCE-76P76**	72.00	72.00	1,900.00
SCE-84XM7818G	84.00	77.75	18.00	IS3	3,934.93	SCE-76P76GALV**	72.00	72.00	1,920.00
SCE-84XM7824	84.00	77.75	24.00	IS3	3,870.87	SCE-76P76**	72.00	72.00	1,900.00
SCE-84XM7824G	84.00	77.75	24.00	IS3	4,007.90	SCE-76P76GALV**	72.00	72.00	1,920.00
SCE-90XM7818	90.00	77.75	18.00	IS3	4,082.27	SCE-82P76**	78.00	72.00	1,900.00
SCE-90XM7818G	90.00	77.75	18.00	IS3	4,220.65	SCE-82P76GALV**	78.00	72.00	1,920.00
SCE-90XM7824	90.00	77.75	24.00	IS3	4,284.12	SCE-82P76**	78.00	72.00	1,900.00
SCE-90XM7824G	90.00	77.75	24.00	IS3	4,421.86	SCE-82P76GALV**	78.00	72.00	1,920.00



Part numbers ending in "G" have galvanized sub-panels installed.

** Sub-panel included with enclosure. Replacement sub-panels can be ordered. Prices found in the accessory section.



Heavy Duty Free-Standing Enclosures For Flange-Mounted Disconnects

Application -

Designed to house electrical equipment and provide degree of protection from dirt, dust, oil and water and to house most standard type disconnects. For installation information, consult our Installation Manual at www.saginawcontrol.com.

Construction -

- 0.125" carbon steel.
- Seams continuously welded and ground smooth.
- Flange trough collar around all sides of door opening.
- Body stiffeners in large enclosures for extra rigidity.
- Heavy duty lifting eyes anchor into reinforced top.
- Removable center posts permit easy sub-panel installation.
- Concealed hinges.
- Black zinc die cast coinproof/padlocking handle on main door with black zinc die cast padlocking handle on slave doors.
- 3-point latching mechanism.
- Ends of latch rods have ramp shoes for easier door closing.
- Panel supports.
- Large removable print pockets.
- Oil-resistant gasket.
- Removable sub-panels mount on collar studs.
- Master door is far right-hand door on all enclosures.
- Defeater on master door requires a screwdriver to open.
- Mechanical interlock activated by master door prevents slave doors from being opened first. Doors can be closed in any order.
- Hole plugs provided to seal holes in bottom of enclosure.
- Ground stud on door and body.
- Provisions for light kit.

Disconnect switch (or circuit breaker) and operating mechanism are not furnished with enclosure.

Finish -

ANSI-61 gray powder coated inside and out. Sub-panels powder coated white.

IS3 - Industry Standards -

- NEMA Type 3R, 12 & Type 13
- UL Listed Type 3R & 12
- CSA Type 3R & 12
- IEC 60529 IP55

IS4 - Industry Standards -

- NEMA Type 3R, 4, 12 & Type 13
- UL Listed Type 3R, 4 & 12
- CSA Type 3R, 4 & 12
- IEC 60529 IP66

***Special Instructions apply for IS3, IS4 and IS6 to maintain environmental rating of Type 3R for these parts. See the Special Instructions on the Industry Standards page in the Technical Information Section.



Phone (989) 799-6871
Fax (989) 799-4524

Heavy Duty Free-Standing Enclosures For Flange-Mounted Disconnects

Application -

Designed to house electrical equipment and provide degree of protection from dirt, dust, oil and water and to house most standard type disconnects. For installation information, consult our Installation Manual at www.saginawcontrol.com.

Construction -

- 0.125" carbon steel.
- Seams continuously welded and ground smooth.
- Flange trough collar around all sides of door opening.
- Body stiffeners in large enclosures for extra rigidity.
- Heavy duty lifting eyes anchor into reinforced top.
- Removable center posts permit easy sub-panel installation.
- Concealed hinges.
- Black zinc die cast coinproof/padlocking handle on main door with black zinc die cast padlocking handle on slave doors.
- 3-point latching mechanism.
- Ends of latch rods have ramp shoes for easier door closing.
- Panel supports.
- Large removable print pockets.
- Oil-resistant gasket.
- Removable panels mount on collar studs.
- Master door is far right-hand door on all enclosures.
- Defeater on master door requires a screwdriver to open.
- Mechanical interlock activated by master door prevents slave doors from being opened first. Doors can be closed in any order.
- Hole plugs provided to seal holes in bottom of enclosure.
- Ground stud on door and body.
- Provisions for light kit.

Disconnect switch (or circuit breaker) and operating mechanism are not furnished with enclosure.

Finish -

ANSI-61 gray powder coated inside and out. Sub-panels powder coated white.

IS3 - Industry Standards -

NEMA Type 3R, 12 & Type 13
UL Listed Type 3R & 12
CSA Type 3R & 12
IEC 60529 IP55

***Special Instructions apply for IS3, IS4 and IS6 to maintain the environmental rating of Type 3R for these parts. See Special Instructions on the Industry Standards page in the Technical Information Section.

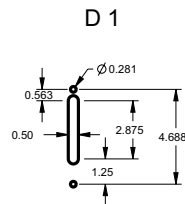
HEAVY DUTY FREE-STANDING ENCLOSURES FOR FLANGE-MOUNTED DISCONNECTS THREE-DOOR ENCLOSURES

ENCLOSURE PRODUCT CODE A2						SUB-PANEL (P3)			
Catalog No.	Height (A)	Width (B)	Depth (C)	Industry Standard	List Price	Catalog No.	Panel Height (D)	Panel Width (E)	List Price
SCE-72XM3EQ18	72.00	99.50	18.00	IS3	4,363.92	SCE-64P31** & SCE-64P64**	60.00	27.75	1,000.00
SCE-72XM3EQ18G	72.00	99.50	18.00	IS3	4,498.58	SCE-64P31GALV** & SCE-64P64GALV**	60.00	27.75	1,000.00
SCE-72XM3EW18	72.00	117.50	18.00	IS3	4,912.10	SCE-64P37** & SCE-64P76**	60.00	33.75	1,000.00
SCE-72XM3EW18G	72.00	117.50	18.00	IS3	5,067.85	SCE-64P37GALV** & SCE-64P76GALV**	60.00	33.75	1,000.00
SCE-84XM3EW18	84.00	117.50	18.00	IS3	5,476.74	SCE-76P37** & SCE-76P76**	72.00	33.75	1,000.00
SCE-84XM3EW18G	84.00	117.50	18.00	IS3	5,665.82	SCE-76P37GALV** & SCE-76P76GALV**	72.00	33.75	1,000.00
SCE-84XM3EW24	84.00	117.50	24.00	IS3	5,541.31	SCE-76P37** & SCE-76P76**	72.00	33.75	1,000.00
SCE-84XM3EW24G	84.00	117.50	24.00	IS3	5,730.36	SCE-76P37GALV** & SCE-76P76GALV**	72.00	33.75	1,000.00
SCE-90XM3EW24	90.00	117.50	24.00	IS3	6,111.01	SCE-82P37** & SCE-82P76**	78.00	33.75	1,000.00
SCE-90XM3EW24G	90.00	117.50	24.00	IS3	6,305.68	SCE-82P37GALV** & SCE-82P76GALV**	78.00	33.75	1,000.00

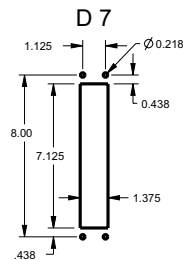
XM ENCLOSURES

* Add the letter U to the end of the part number for enclosures with a universal disconnect cutout.

Standard Disconnect cutout provided



Universal Disconnect cutout



Part numbers ending in "G" have galvanized sub-panels installed.

**Sub-panel included with enclosure. Replacement sub-panels can be ordered. Prices found in the accessory section.

1 Operator System Enclosures
 2 Wall-Mount Enclosures
 3 Free-Standing & Floor-Mounted Enclosures
 4 Modular Enclosures
 5 Operator System Enclosures (Stainless Steel)
 6 Wall-Mount Enclosures (Stainless Steel)
 7 Free-Standing & Floor-Mounted Enclosures (Stainless Steel)
 8 Non-Metallic Enclosures
 9 Accessories
 10 Technical Information
 11 Index

HEAVY DUTY FREE-STANDING ENCLOSURES FOR FLANGE-MOUNTED DISCONNECTS FOUR-DOOR ENCLOSURES



ENCLOSURE PRODUCT CODE A2						SUB-PANEL (P3)			
Catalog No.	Height (A)	Width (B)	Depth (C)	Industry Standard	List Price	Catalog No.	Panel Height (D)	Panel Width (E)	List Price
SCE-84XM4EW18	84.00	157.50	18.00	IS3	7,541.85	SCE-76P76**(2)	72.00	72.00	1498.00
SCE-84XM4EW18G	84.00	157.50	18.00	IS3	7,837.86	SCE-76P76GALV**(2)	72.00	72.00	1623.00
SCE-84XM4EW24	84.00	157.50	24.00	IS3	7,622.34	SCE-76P76**(2)	72.00	72.00	1498.00
SCE-84XM4EW24G	84.00	157.50	24.00	IS3	7,918.37	SCE-76P76GALV**(2)	72.00	72.00	1623.00
SCE-90XM4EW18	90.00	157.50	18.00	IS3	7,834.29	SCE-82P76**(2)	78.00	72.00	1561.00
SCE-90XM4EW18G	90.00	157.50	18.00	IS3	8,131.80	SCE-82P76GALV**(2)	78.00	72.00	1626.00
SCE-90XM4EW24	90.00	157.50	24.00	IS3	8,022.10	SCE-82P76**(2)	78.00	72.00	1561.00
SCE-90XM4EW24G	90.00	157.50	24.00	IS3	8,319.62	SCE-82P76GALV**(2)	78.00	72.00	1626.00

FIVE-DOOR ENCLOSURES

ENCLOSURE PRODUCT CODE A2						SUB-PANEL (P3)			
Catalog No.	Height (A)	Width (B)	Depth (C)	Industry Standard	List Price	Catalog No.	Panel Height (D)	Panel Width (E)	List Price
SCE-84XM5EW18	84.00	196.75	18.00	IS3	9,174.91	SCE-76P76**(2)	72.00	72.00	1498.00
SCE-84XM5EW18G	84.00	196.75	18.00	IS3	9,521.77	SCE-76P76GALV**(2)	72.00	72.00	1623.00
						SCE-76P37GALV**	72.00	33.75	1268.00
SCE-84XM5EW24	84.00	196.75	24.00	IS3	9,455.00	SCE-76P76**(2)	72.00	72.00	1498.00
						SCE-76P37**	72.00	33.75	1260.00
SCE-84XM5EW24G	84.00	196.75	24.00	IS3	9,801.96	SCE-76P76GALV**(2)	72.00	72.00	1623.00
						SCE-76P37GALV**	72.00	33.75	1268.00
SCE-90XM5EW18	90.00	196.75	18.00	IS3	9,584.80	SCE-82P76**(2)	78.00	72.00	1561.00
						SCE-82P37**	78.00	33.75	1278.00
SCE-90XM5EW18G	90.00	196.75	18.00	IS3	9,983.32	SCE-82P76GALV**(2)	78.00	72.00	1626.00
						SCE-82P37GALV**	78.00	33.75	1320.00
SCE-90XM5EW24	90.00	196.75	24.00	IS3	9,905.90	SCE-82P76**(2)	78.00	72.00	1561.00
						SCE-82P37**	78.00	33.75	1278.00
SCE-90XM5EW24G	90.00	196.75	24.00	IS3	10,259.43	SCE-82P76GALV**(2)	78.00	72.00	1626.00
						SCE-82P37GALV**	78.00	33.75	1320.00

SIX-DOOR ENCLOSURES

ENCLOSURE PRODUCT CODE A2						SUB-PANEL (P3)			
Catalog No.	Height (A)	Width (B)	Depth (C)	Industry Standard	List Price	Catalog No.	Panel Height (D)	Panel Width (E)	List Price
SCE-84XM6EW24	84.00	235.00	24.00	IS3	11,522.27	SCE-76P76**(2)	72.00	72.00	1498.00
SCE-84XM6EW24G	84.00	235.00	24.00	IS3	11,974.53	SCE-76P76GALV**(2)	72.00	72.00	1623.00
SCE-90XM6EW24	90.00	235.00	24.00	IS3	11,945.82	SCE-82P76**(2)	78.00	72.00	1561.00
SCE-90XM6EW24G	90.00	235.00	24.00	IS3	12,400.37	SCE-82P76GALV**(2)	78.00	72.00	1626.00

Part numbers ending in "G" have galvanized sub-panels installed.

**Sub-panel included with enclosure. Replacement sub-panels can be ordered.
Prices found in the accessory section.

Heavy Duty Free-Standing Enclosures For Flange-Mounted Disconnects

Application -

Designed to house electrical equipment and provide degree of protection from dirt, dust, oil and water and to house most standard type disconnects. For installation information, consult our Installation Manual at www.saginawcontrol.com.

Construction -

- 0.125" carbon steel.
- Seams continuously welded and ground smooth.
- Flange trough collar around all sides of door opening.
- Body stiffeners in large enclosures for extra rigidity.
- Heavy duty lifting eyes anchor into reinforced top.
- Removable center posts permit easy sub-panel installation.
- Concealed hinges.
- Black zinc die cast coinproof/padlocking handle on main door with black zinc die cast padlocking handle on slave doors.
- 3-point latching mechanism.
- Ends of latch rods have ramp shoes for easier door closing.
- Panel supports.
- Large removable print pockets.
- Oil-resistant gasket.
- Removable panels mount on collar studs.
- Master door is far right-hand door on all enclosures.
- Defeater on master door requires a screwdriver to open.
- Mechanical interlock activated by master door prevents slave doors from being opened first. Doors can be closed in any order.
- Hole plugs provided to seal holes in bottom of enclosure.
- Ground stud on door and body.
- Provisions for light kit.

Disconnect switch (or circuit breaker) and operating mechanism are not furnished with enclosure.

Finish -

ANSI-61 gray powder coated inside and out. Sub-panels powder coated white.

IS3 - Industry Standards -

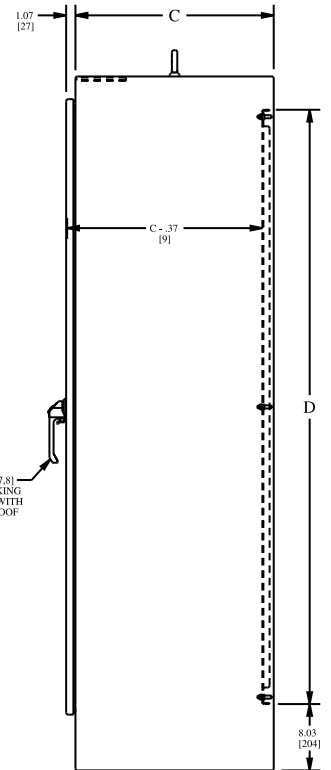
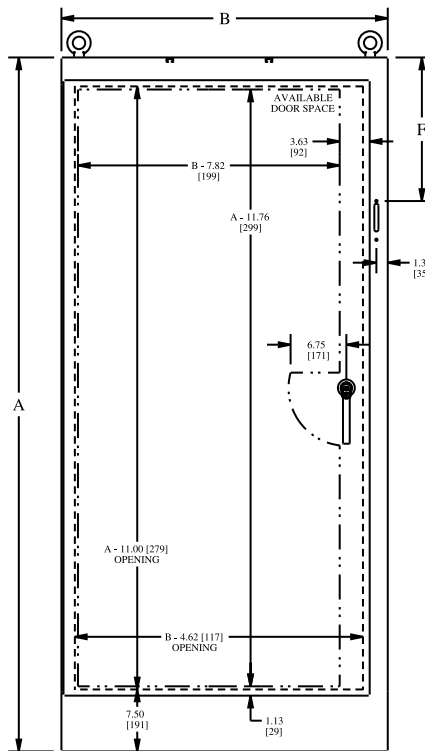
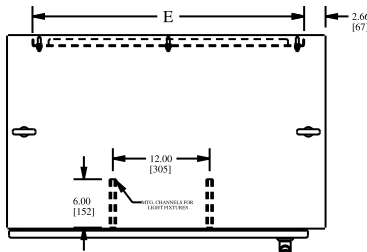
NEMA Type 3R, 12 & Type 13
UL Listed Type 3R & 12
CSA Type 3R & 12
IEC 60529 IP55

***Special Instructions apply for IS3, IS4 and IS6 to maintain the environmental rating of Type 3R for these parts. See Special Instructions on the Industry Standards page in the Technical Information Section.

HEAVY DUTY FREE-STANDING ENCLOSURES FOR FLANGE-MOUNTED DISCONNECTS

TECHNICAL DATA

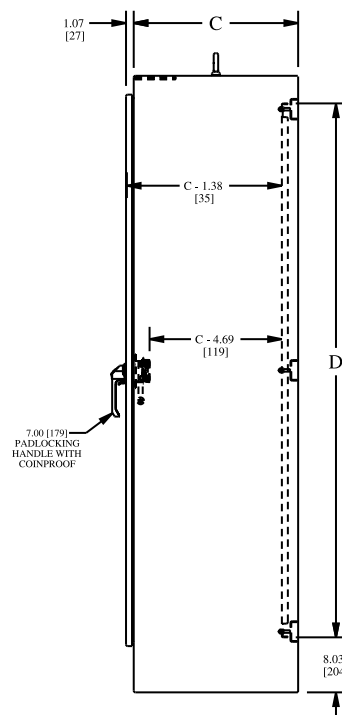
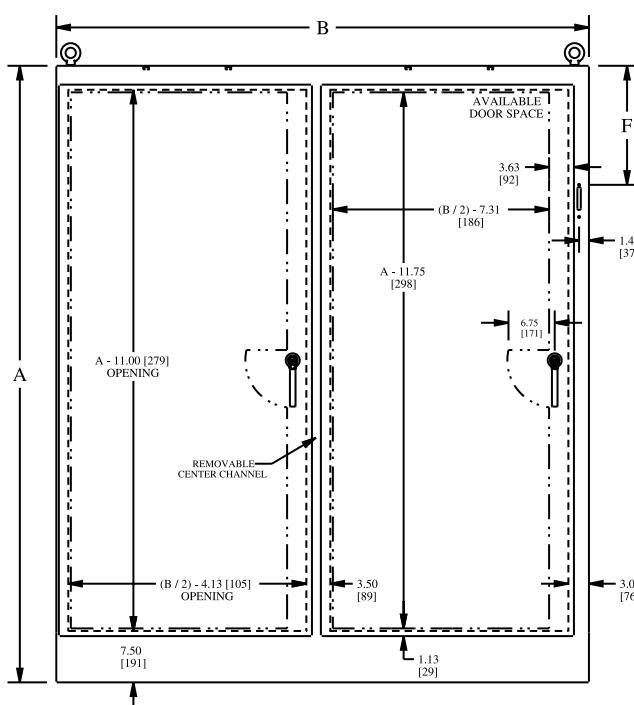
SINGLE-DOOR ENCLOSURE



STANDARD DISCONNECTS:
 F = 11.88 [301,7] when A = 72.00 [1828,8]
 F = 17.38 [441,4] when A = 84.00 [2133,6]
 F = 20.38 [517,6] when A = 90.00 [228,6]

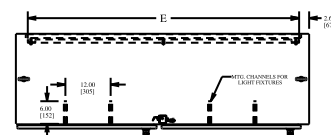
U TYPE (Universal) DISCONNECTS:
 F = 11.88 [301,8] when A = 72
 F = 17.63 [447,8] when A = 84 & 90

TWO-DOOR ENCLOSURE



STANDARD DISCONNECTS:
 F = 11.88 [301,7] when A = 72.00 [1828,8]
 F = 17.38 [441,4] when A = 84.00 [2133,6]
 F = 20.38 [517,6] when A = 90.00 [228,6]

U TYPE (Universal) DISCONNECTS:
 F = 11.88 [301,8] when A = 72
 F = 17.63 [447,8] when A = 84 & 90

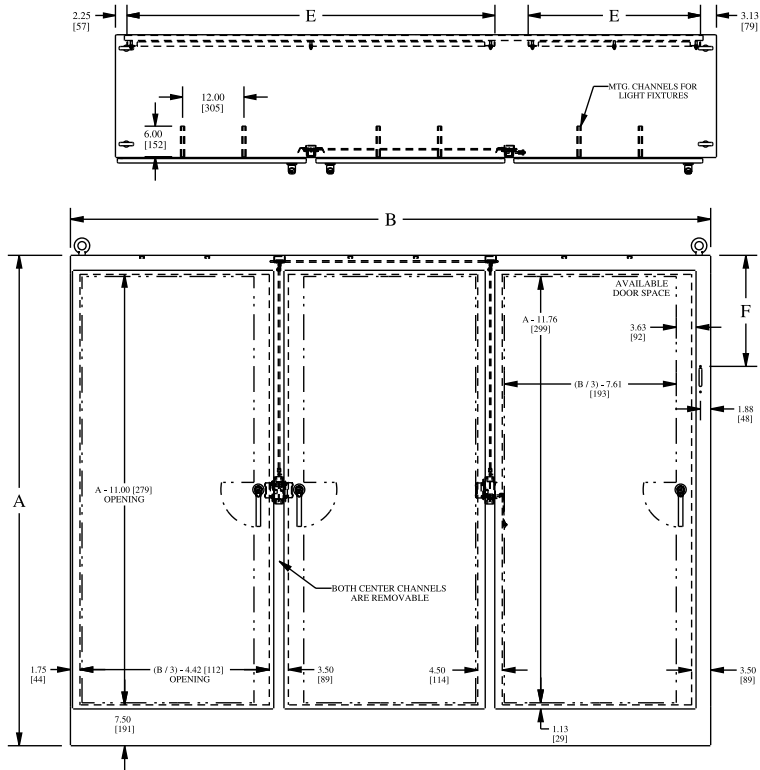


1 Operator System Enclosures
 2 Wall-Mount Enclosures
 3 Free-Standing & Floor-Mounted Enclosures
 4 Modular Enclosures
 5 Operator System Enclosures (Stainless Steel)
 6 Wall-Mount Enclosures (Stainless Steel)
 7 Free-Standing & Floor-Mounted Enclosures (Stainless Steel)
 8 Non-Metallic Enclosures
 9 Accessories
 10 Technical Information
 11 Index

HEAVY DUTY FREE-STANDING ENCLOSURES FOR FLANGE-MOUNTED DISCONNECTS

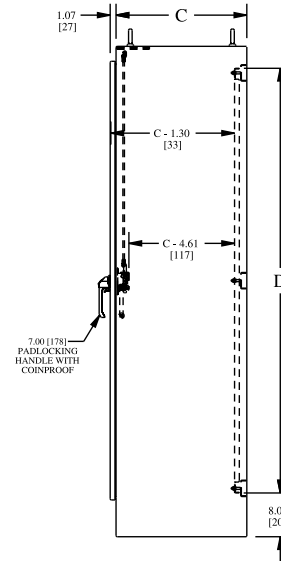
TECHNICAL DATA

THREE-DOOR ENCLOSURE

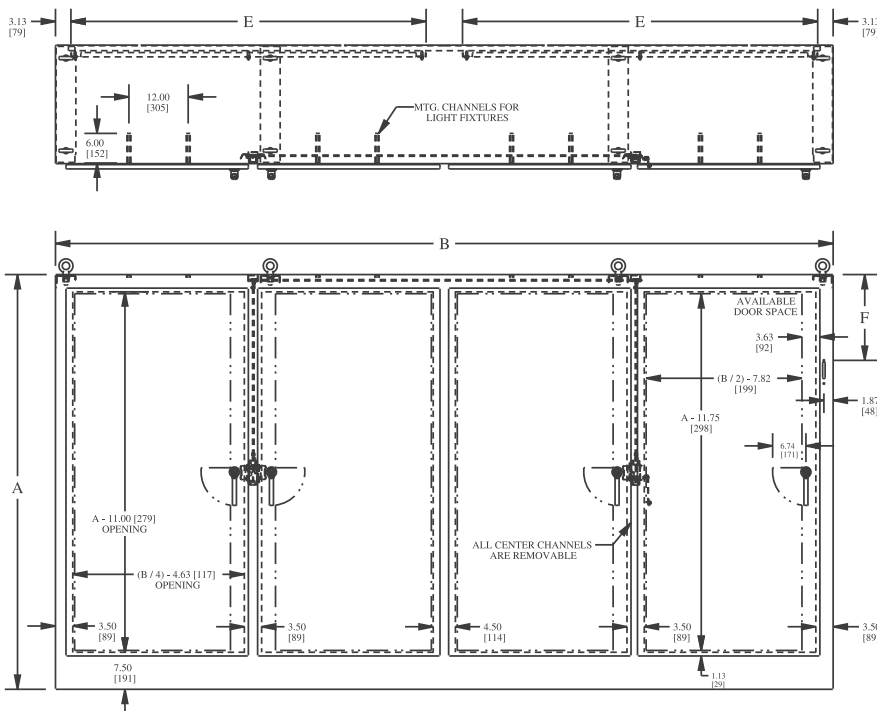


STANDARD DISCONNECTS:
 F = 11.88 [301.7] when A = 72.00 [1828.8]
 F = 17.38 [441.4] when A = 84.00 [2133.6]
 F = 20.38 [517.6] when A = 90.00 [228.6]

U TYPE (Universal) DISCONNECTS:
 F = 11.88 [301.8] when A = 72
 F = 17.63 [447.8] when A = 84 & 90

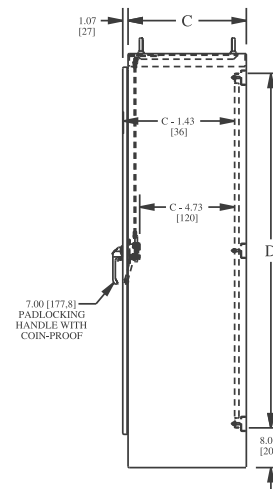


FOUR-DOOR ENCLOSURE



STANDARD DISCONNECTS:
 F = 11.88 [301.7] when A = 72.00 [1828.8]
 F = 17.38 [441.4] when A = 84.00 [2133.6]
 F = 20.38 [517.6] when A = 90.00 [228.6]

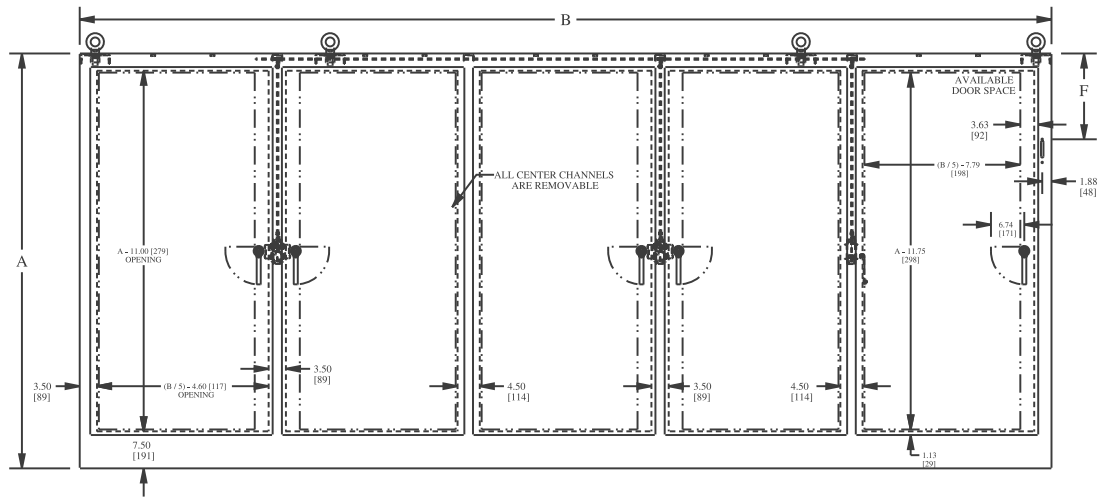
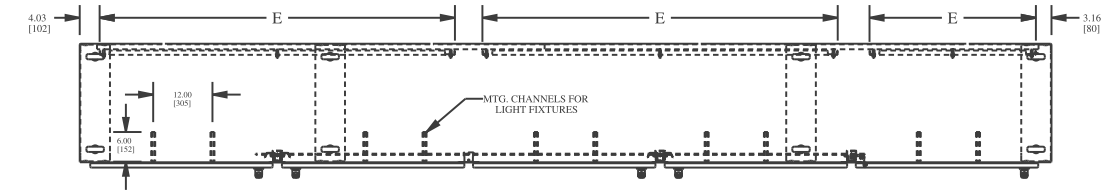
U TYPE (Universal) DISCONNECTS:
 F = 17.63 [447.8]



HEAVY DUTY FREE-STANDING ENCLOSURES FOR FLANGE-MOUNTED DISCONNECTS

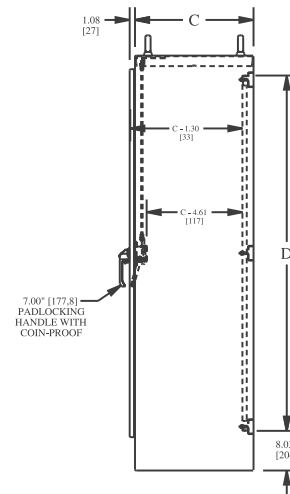
TECHNICAL DATA

FIVE-DOOR ENCLOSURE



STANDARD DISCONNECTS:
 F = 11.88 [301,7] when A = 72.00 [1828,8]
 F = 17.38 [441,4] when A = 84.00 [2133,6]
 F = 20.38 [517,6] when A = 90.00 [228,6]

U TYPE (Universal) DISCONNECTS:
 F = 17.63 [447,8]



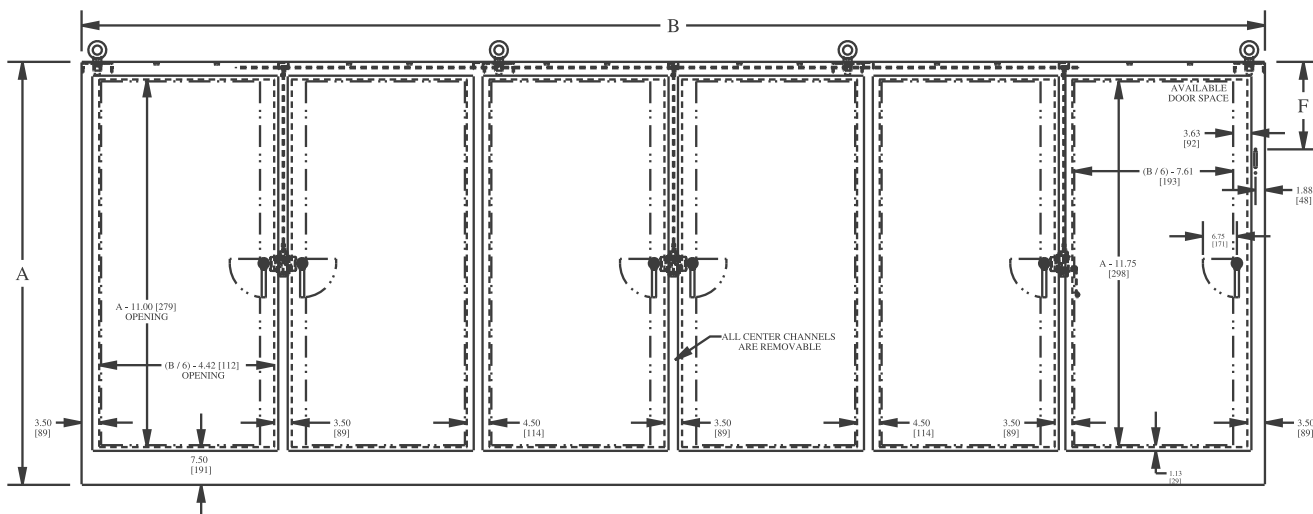
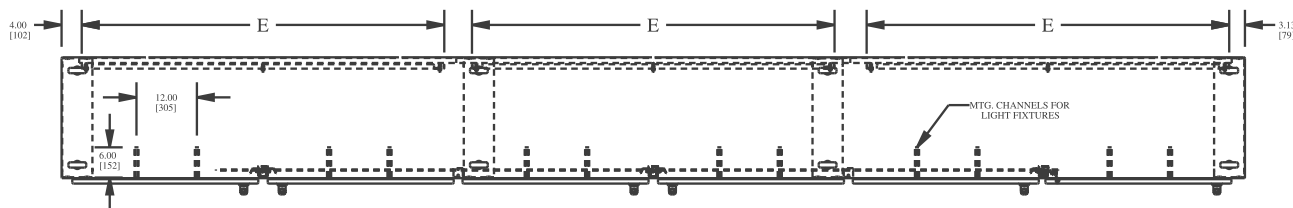
Phone (989) 799-6871
 Fax (989) 799-4524



1 Operator System Enclosures
 2 Wall-Mount Enclosures
 3 Free-Standing & Floor-Mounted Enclosures
 4 Modular Enclosures
 5 Operator System Enclosures (Stainless Steel)
 6 Wall-Mount Enclosures (Stainless Steel)
 7 Free-Standing & Floor-Mounted Enclosures (Stainless Steel)
 8 Non-Metallic Enclosures
 9 Accessories
 10 Technical Information
 11 Index

HEAVY DUTY FREE-STANDING ENCLOSURES FOR FLANGE-MOUNTED DISCONNECTS TECHNICAL DATA

SIX-DOOR ENCLOSURE



STANDARD DISCONNECTS:

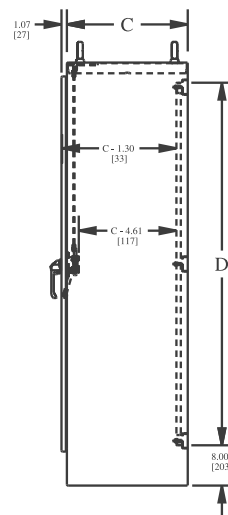
F = 11.88 [301,7] when A = 72.00 [1828,8]

F = 17.38 [441,4] when A = 84.00 [2133,6]

F = 20.38 [517,6] when A = 90.00 [228,6]

U TYPE (Universal) DISCONNECTS:

F = 17.63 [447,8]



Phone (989) 799-6871
Fax (989) 799-4524

XD Heavy Duty Free-Standing Enclosures with External Disconnect Enclosure Installed

Application -

Designed to house the main power supply in external enclosure on the right side of main enclosure, keeping the live side of the power supply separate from the primary electrical equipment. Provides protection from dirt, dust, oil and water and can house most standard type disconnects. For Installation information consult our Installation Manual at www.saginawcontrol.com.

Construction -

- 0.125" carbon steel.
- Seams continuously welded and ground smooth.
- Flange trough collar around all sides of door opening.
- Body stiffeners in large enclosures for extra rigidity.
- Heavy duty lifting eyes anchor into reinforced top.
- Removable center posts permit easy sub-panel installation.
- Concealed hinges.
- Black zinc die cast padlocking handles.
- 3-point latching mechanism.
- Large removable print pockets.
- Oil-resistant gasket.
- Removable panels mount on collar studs.
- Defeater on master door requires a screwdriver to open.
- Mechanical interlock activated by the External Disconnect prevents main door of the enclosure from being closed unless the EXD enclosure is first closed.
- Mechanical interlock activated by master door prevents slave doors from being opened first. Doors can be closed in any order.
- Hole plugs provided to seal holes in bottom of enclosure.
- Ground stud on door and body.
- Provisions for light kit.

Disconnect switch (or circuit breaker) and operating mechanism are not furnished with enclosure.

Finish -

ANSI-61 gray powder coated inside and out. Sub-panels powder coated white.

IS3 - Industry Standards -

NEMA Type 3R, 12 & Type 13
UL Listed Type 3R & 12
CSA Type 3R & 12
IEC 60529 IP55

IS4 - Industry Standards -

NEMA Type 3R, 4, 12 & Type 13
UL Listed Type 3R, 4 & 12
CSA Type 3R, 4 & 12
IEC 60529 IP66

***Special Instructions apply for IS3, IS4 and IS6 to maintain the environmental rating of Type 3R for these parts. See the Special Instructions on the Industry Standards page in the Technical Information Section.

XD HEAVY DUTY FREE-STANDING ENCLOSURES WITH EXTERNAL DISCONNECT ENCLOSURE INSTALLED SINGLE-DOOR ENCLOSURES

ENCLOSURE PRODUCT CODE A2						SUB-PANEL (P3)			
Catalog No.	Height (A)	Width (B)	Depth (C)	Industry Standard	List Price	Catalog No.	Panel Height (D)	Panel Width (E)	List Price
SCE-72XD2818	72.00	27.50	18.00	IS4	2,697.79	SCE-64P25**	60.00	21.75	1,650.00
SCE-72XD2818G	72.00	27.50	18.00	IS4	2,697.79	SCE-64P25GALV**	60.00	21.75	1,680.00
SCE-72XD3418	72.00	33.50	18.00	IS3	2,867.38	SCE-64P31**	60.00	27.75	1,670.00
SCE-72XD3418G	72.00	33.50	18.00	IS3	2,894.92	SCE-64P31GALV**	60.00	27.75	1,680.00
SCE-72XD4018	72.00	39.50	18.00	IS3	3,036.98	SCE-64P37**	60.00	33.75	1,680.00
SCE-72XD4018G	72.00	39.50	18.00	IS3	3,036.98	SCE-64P37GALV**	60.00	33.75	1,680.00
SCE-84XD4018	84.00	39.50	18.00	IS3	3,249.56	SCE-76P37**	72.00	33.75	1,650.00
SCE-84XD4018G	84.00	39.50	18.00	IS3	3,249.56	SCE-76P37GALV**	72.00	33.75	1,680.00
SCE-90XD4018	90.00	39.50	18.00	IS3	3,400.06	SCE-82P37**	78.00	33.75	1,670.00
SCE-90XD4018G	90.00	39.50	18.00	IS3	3,400.06	SCE-82P37GALV**	78.00	33.75	1,680.00

TWO-DOOR ENCLOSURES

ENCLOSURE PRODUCT CODE A2						SUB-PANEL (P3)			
Catalog No.	Height (A)	Width (B)	Depth (C)	Industry Standard	List Price	Catalog No.	Panel Height (D)	Panel Width (E)	List Price
SCE-72XD5418	72.00	53.75	18.00	IS4	3,880.19	SCE-64P52**	60.00	48.00	1,640.00
SCE-72XD5418G	72.00	53.75	18.00	IS4	3,880.19	SCE-64P52GALV**	60.00	48.00	1,640.00
SCE-72XD6618	72.00	65.75	18.00	IS3	4,228.93	SCE-64P64**	60.00	60.00	1,620.00
SCE-72XD6618G	72.00	65.75	18.00	IS3	4,352.91	SCE-64P64GALV**	60.00	60.00	1,650.00
SCE-72XD7818	72.00	77.75	18.00	IS3	4,576.49	SCE-64P76**	60.00	72.00	1,620.00
SCE-72XD7818G	72.00	77.75	18.00	IS3	4,693.16	SCE-64P76GALV**	60.00	72.00	1,650.00
SCE-84XD7818	84.00	77.75	18.00	IS3	4,955.10	SCE-76P76**	72.00	72.00	1,620.00
SCE-84XD7818G	84.00	77.75	18.00	IS3	5,066.93	SCE-76P76GALV**	72.00	72.00	1,650.00
SCE-90XD7818	90.00	77.75	18.00	IS3	5,214.27	SCE-82P76**	78.00	72.00	1,610.00
SCE-90XD7818G	90.00	77.75	18.00	IS3	5,352.65	SCE-82P76GALV**	78.00	72.00	1,620.00



Part numbers ending in "G" have galvanized sub-panels installed.

**Sub-panel included with enclosure.
Replacement sub-panels can be ordered.
Prices found in the accessory section.

Phone (989) 799-6871
Fax (989) 799-4524



THREE-DOOR ENCLOSURES

ENCLOSURE PRODUCT CODE A2						SUB-PANEL (P3)			
Catalog No.	Height (A)	Width (B)	Depth (C)	Industry Standard	List Price	Catalog No.	Panel Height (D)	Panel Width (E)	List Price
SCE-72XD3EQ18	72.00	99.50	18.00	IS3	5,563.84	SCE-64P31** & SCE-64P64**	60.00	27.75	1,167.00
SCE-72XD3EQ18G	72.00	99.50	18.00	IS3	5,698.50	SCE-64P31GALV** & SCE-64P64GALV**	60.00	27.75	1,192.00
SCE-72XD3EW18	72.00	117.50	18.00	IS3	6,112.02	SCE-76P37** & SCE-64P76**	72.00	33.75	2,500.00
SCE-72XD3EW18G	72.00	117.50	18.00	IS3	6,267.77	SCE-76P37GALV** & SCE-64P76GALV**	72.00	33.75	2,611.00
SCE-84XD3EW18	84.00	117.50	18.00	IS3	6,676.66	SCE-76P37** & SCE-76P76**	72.00	33.75	2,500.00
SCE-84XD3EW18G	84.00	117.50	18.00	IS3	6,865.73	SCE-76P37GALV** & SCE-76P76GALV**	72.00	33.75	2,611.00



XD Heavy Duty Free-Standing Enclosures with External Disconnect Enclosure Installed

Application -

Designed to house the main power supply in external enclosure on the right side of main enclosure, keeping the live side of the power supply separate from the primary electrical equipment. Provides protection from dirt, dust, oil and water and can house most standard type disconnects. For Installation information consult our Installation Manual at www.saginawcontrol.com.

Construction -

- 0.125" carbon steel.
- Seams continuously welded and ground smooth.
- Flange trough collar around all sides of door opening.
- Body stiffeners in large enclosures for extra rigidity.
- Heavy duty lifting eyes anchor into reinforced top.
- Removable center posts permit easy sub-panel installation.
- Concealed hinges.
- Black zinc die cast padlocking handles.
- 3-point latching mechanism.
- Large removable print pockets.
- Oil-resistant gasket.
- Removable panels mount on collar studs.
- Defeater on master door requires a screwdriver to open.
- Mechanical interlock activated by the External Disconnect prevents main door of the enclosure from being closed unless the EXD enclosure is first closed.
- Mechanical interlock activated by master door prevents slave doors from being opened first. Doors can be closed in any order.
- Hole plugs provided to seal holes in bottom of enclosure.
- Ground stud on door and body.
- Provisions for light kit.

Disconnect switch (or circuit breaker) and operating mechanism are not furnished with enclosure.

Finish -

ANSI-61 gray powder coated inside and out. Sub-panels powder coated white.

IS3 - Industry Standards -

NEMA Type 3R, 12 & Type 13
UL Listed Type 3R & 12
CSA Type 3R & 12
IEC 60529 IP55

IS4 - Industry Standards -

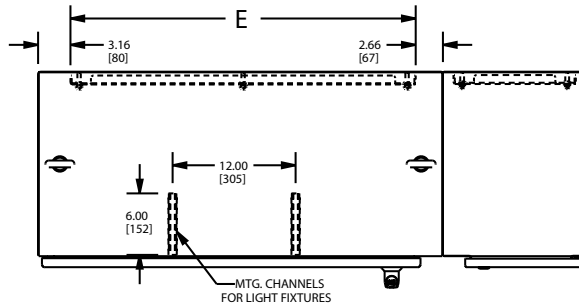
NEMA Type 3R, 4, 12 & Type 13
UL Listed Type 3R, 4 & 12
CSA Type 3R, 4 & 12
IEC 60529 IP66

***Special Instructions apply for IS3, IS4 and IS6 to maintain the environmental rating of Type 3R for these parts. See the Special Instructions on the Industry Standards page in the Technical Information Section.

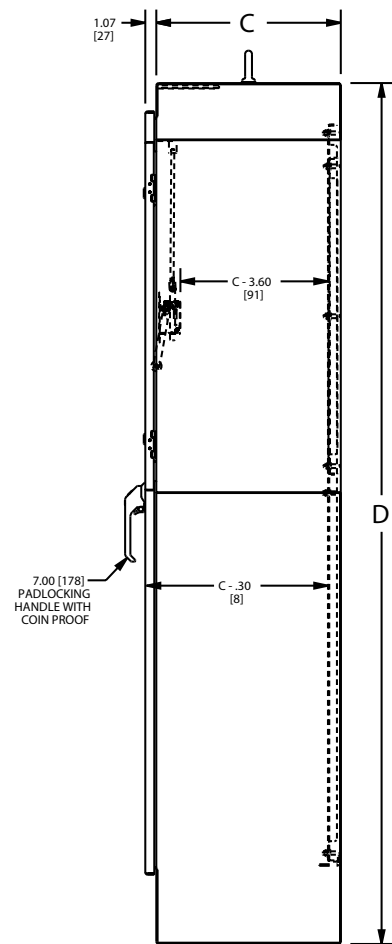
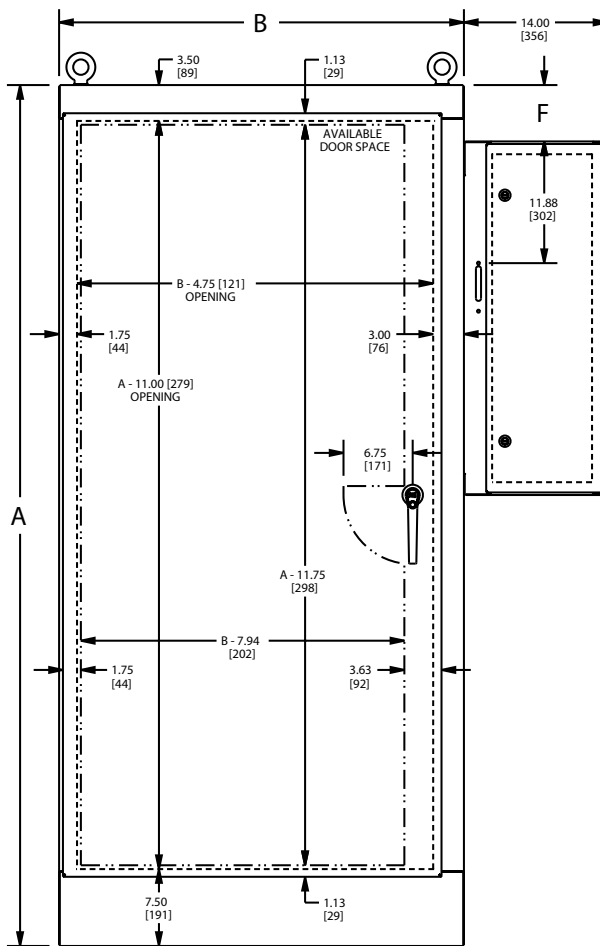
XD HEAVY DUTY FREE-STANDING ENCLOSURES WITH EXTERNAL DISCONNECT ENCLOSURE INSTALLED

TECHNICAL DATA

SINGLE-DOOR ENCLOSURE



STANDARD DISCONNECTS:
 F = 0.00 [0] when A = 72.00 [1829]
 F = 5.50 [138] when A = 84.00 [2134]
 F = 8.50 [216] when A = 90.00 [2286]



Phone (989) 799-6871
 Fax (989) 799-4524

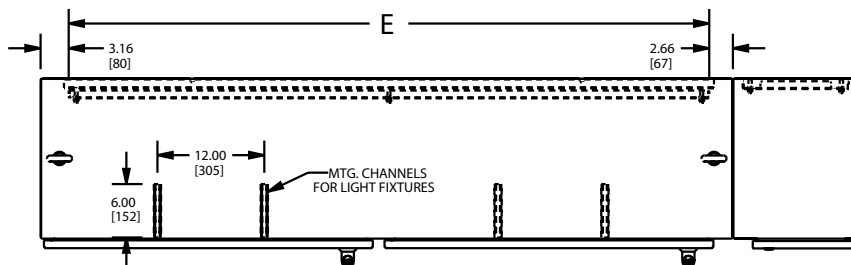


- 1 Operator System Enclosures
- 2 Wall-Mount Enclosures
- 3 Free-Standing & Floor-Mounted Enclosures
- 4 Modular Enclosures
- 5 Operator System Enclosures (Stainless Steel)
- 6 Wall-Mount Enclosures (Stainless Steel)
- 7 Free-Standing & Floor-Mounted Enclosures (Stainless Steel)
- 8 Non-Metallic Enclosures
- 9 Accessories
- 10 Technical Information
- 11 Index

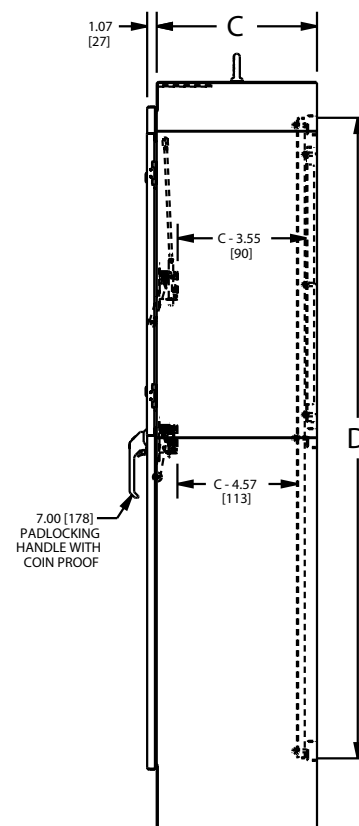
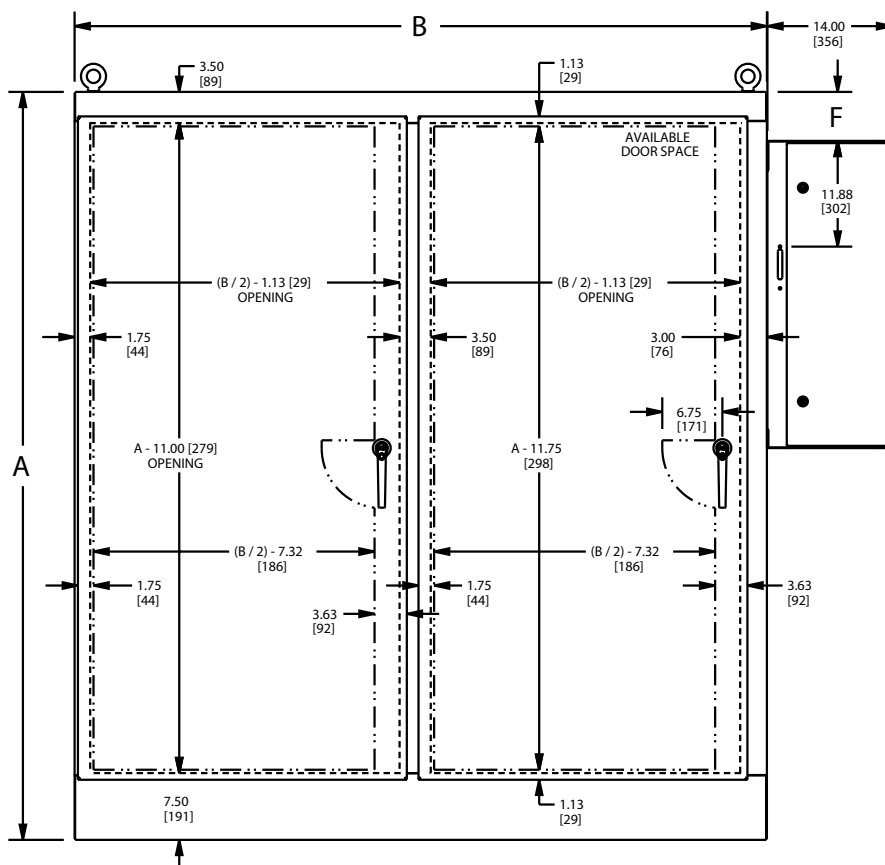
XD HEAVY DUTY FREE-STANDING ENCLOSURES WITH EXTERNAL DISCONNECT ENCLOSURE INSTALLED

TECHNICAL DATA

TWO-DOOR ENCLOSURE



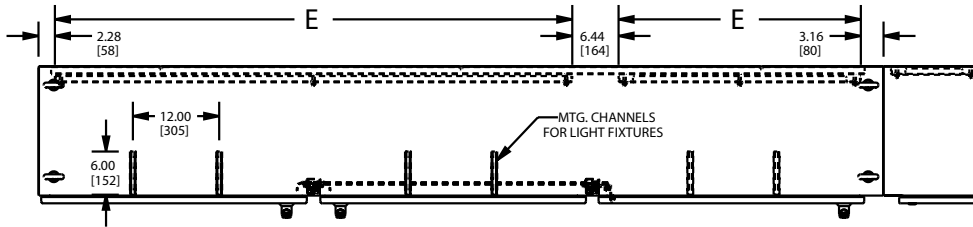
STANDARD DISCONNECTS:
 F = 0.00 [0] when A = 72.00 [1829]
 F = 5.50 [138] when A = 84.00 [2134]
 F = 8.50 [216] when A = 90.00 [2286]



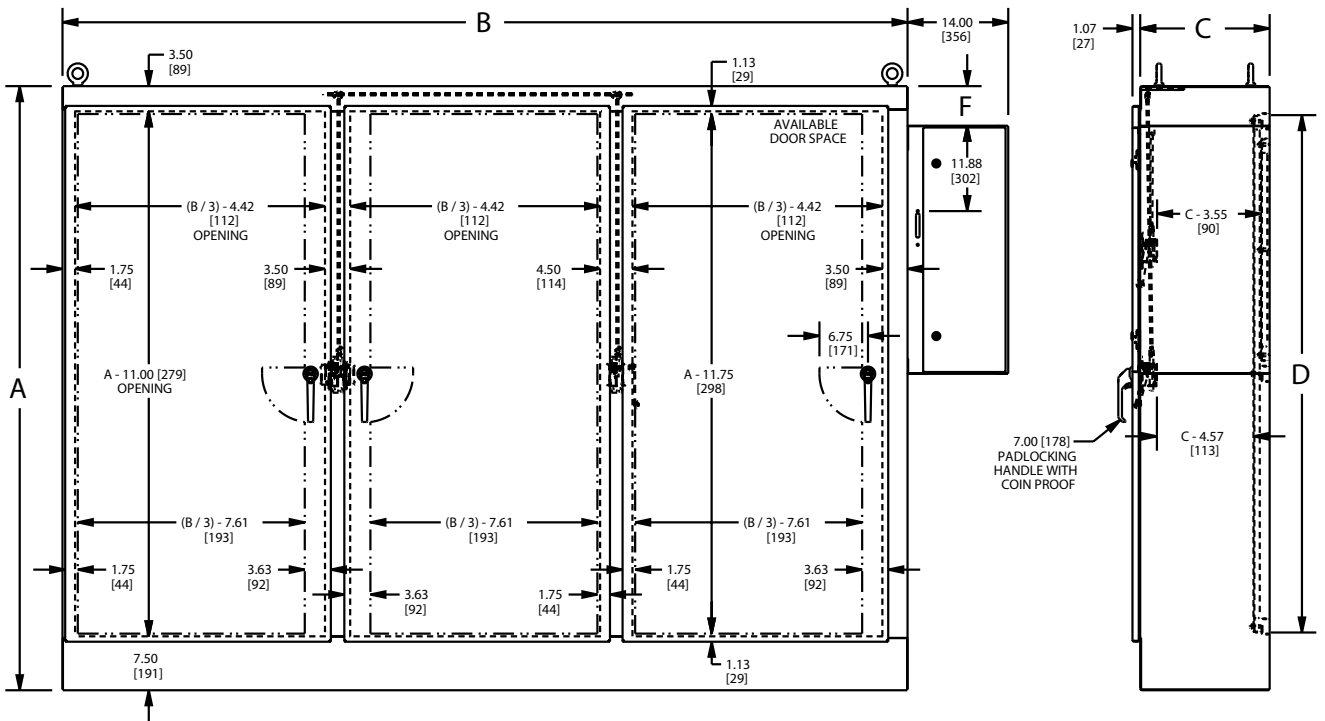
XD HEAVY DUTY FREE-STANDING ENCLOSURES WITH EXTERNAL DISCONNECT ENCLOSURE INSTALLED

TECHNICAL DATA

THREE-DOOR ENCLOSURE



STANDARD DISCONNECTS:
 F = 0.00 [0] when A = 72.00 [1829]
 F = 5.50 [138] when A = 84.00 [2134]
 F = 8.50 [216] when A = 90.00 [2286]



Phone (989) 799-6871
 Fax (989) 799-4524



- 1 Operator System Enclosures
- 2 Wall-Mount Enclosures
- 3 Free-Standing & Floor-Mounted Enclosures
- 4 Modular Enclosures
- 5 Operator System Enclosures (Stainless Steel)
- 6 Wall-Mount Enclosures (Stainless Steel)
- 7 Free-Standing & Floor-Mounted Enclosures (Stainless Steel)
- 8 Non-Metallic Enclosures
- 9 Accessories
- 10 Technical Information
- 11 Index

NOTES



Phone (989) 799-6871
Fax (989) 799-4524

1 Operator System Enclosures

2 Wall-Mount Enclosures

3 Free-Standing & Floor-Mounted Enclosures

4 Modular Enclosures

5 Operator System Enclosures (Stainless Steel)

6 Wall-Mount Enclosures (Stainless Steel)

7 Free-Standing & Floor-Mounted Enclosures (Stainless Steel)

8 Non-Metallic Enclosures

9 Accessories

10 Technical Information

11 Index

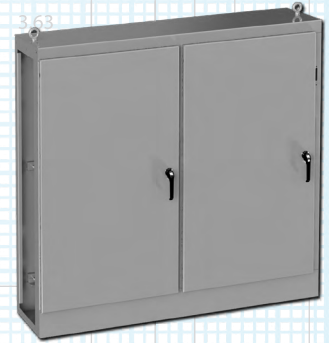
Modular Enclosures

Modular Enclosures 168 – 173

- **Modular Single-Door Enclosures for Flange-Mounted Disconnects**



- **Modular Two-Door Enclosures for Flange-Mounted Disconnects**

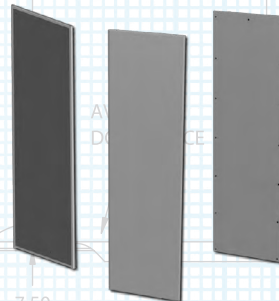


- **Modular Single-Door Enclosures**



- **Modular Two-Door Enclosures**

- **Modular Enclosure Accessories**



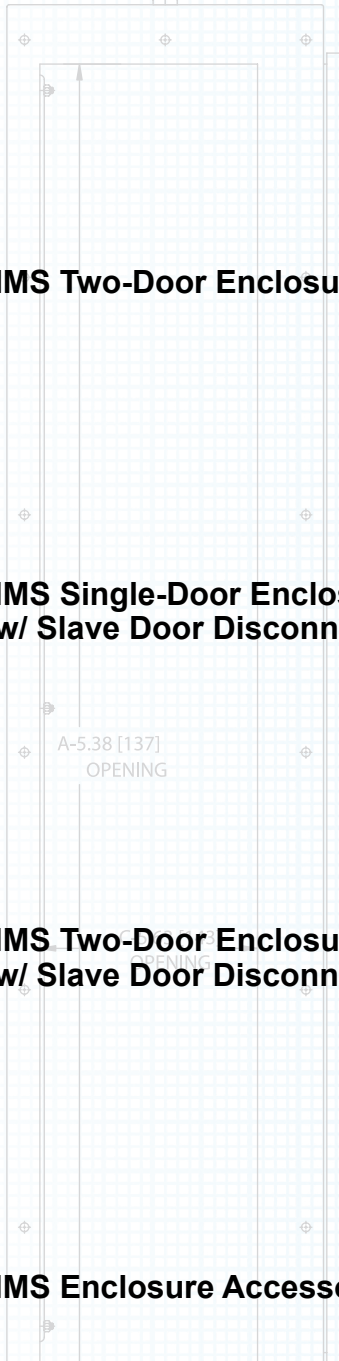
Phone (989) 799-6871
 Fax (989) 799-4524



1 Operator System Enclosures
 2 Wall-Mount Enclosures
 3 Free-Standing & Floor-Mounted Enclosures
 4 Modular Enclosures
 5 Operator System Enclosures (Stainless Steel)
 6 Wall-Mount Enclosures (Stainless Steel)
 7 Free-Standing & Floor-Mounted Enclosures (Stainless Steel)
 8 Non-Metallic Enclosures
 9 Accessories
 10 Technical Information
 11 Index

Modular Enclosures

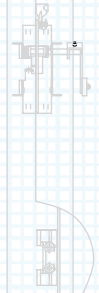
IMS Single-Door Enclosures174 – 175



IMS Two-Door Enclosures176 – 177



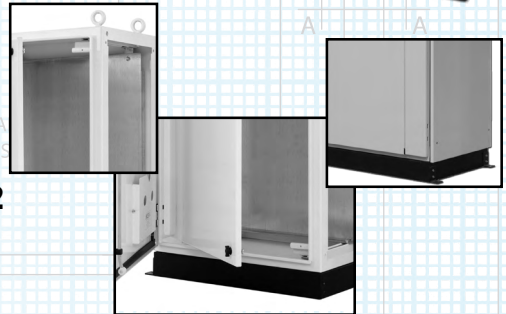
IMS Single-Door Enclosures w/ Slave Door Disconnects178 – 179



IMS Two-Door Enclosures w/ Slave Door Disconnects180 – 181



IMS Enclosure Accessories182 – 192



Phone (989) 799-6871
Fax (989) 799-4524



- 1 Operator System Enclosures
- 2 Wall-Mount Enclosures
- 3 Free-Standing & Floor-Mounted Enclosures
- 4 Modular Enclosures
- 5 Operator System Enclosures (Stainless Steel)
- 6 Wall-Mount Enclosures (Stainless Steel)
- 7 Free-Standing & Floor-Mounted Enclosures (Stainless Steel)
- 8 Non-Metallic Enclosures
- 9 Accessories
- 10 Technical Information
- 11 Index

Modular Enclosures For Flange-Mounted Disconnects

Application -

Can be bolted together in any desired multiple door arrangement for maximum versatility. Slave enclosures can be added or removed as required.

Designed to house most standard type disconnect. For installation information, consult our Installation Manual at www.saginawcontrol.com.

Construction -

- 0.125" carbon steel.
- Seams continuously welded and ground smooth.
- Body stiffeners for extra rigidity.
- Door and side openings are flanged to provide extra strength and smooth edges.
- Flange trough collar around all sides of door opening.
- Heavy duty lifting eyes anchor into reinforced top.
- Concealed hinges.
- Removable and interchangeable doors.
- Black zinc die cast coinproof/padlocking handle on main door of disconnect enclosures. Black zinc die cast padlocking handle on all other doors.
- 3-point latching mechanism.
- Ramp shoes on ends of latch rods for easier door closing.
- Panel supports.
- Large removable print pockets.
- Oil-resistant door gasket.
- Removable panels mount on collar studs.
- Mechanical interlock standard on each enclosure. Parts required to connect interlock system between adjacent enclosures are provided.
- Hole plugs provided to seal holes in bottom of enclosure.
- Ground stud on door and body
- Provisions for light kit.

Finish -

ANSI-61 gray powder coated inside and out. Sub-panels powder coated white.

Note -

- Disconnect ordered separately.
- SCE-MODGK sold separately, required when bolting one enclosure to another.

IS3 - Industry Standards -

NEMA Type 3R, 12 & Type 13
UL Listed Type 3R & 12
CSA Type 3R & 12
IEC 60529 IP55

***Special Instructions apply for IS3, IS4 and IS6 to maintain the environmental rating of Type 3R for these parts. See the Special Instructions on the Industry Standards page in the Technical Information Section.

MODULAR ENCLOSURES SINGLE-DOOR DISCONNECT ENCLOSURE (LEFT SIDE OPEN)

ENCLOSURE PRODUCT CODE A2						SUB-PANEL (P3)			
Catalog No.	Height (A)	Width (B)	Depth (C)	Industry Standard	List Price	Catalog No.	Panel Height (D)	Panel Width (E)	List Price
SCE-MOD72X4018	72.00	40.00	18.00	IS3	1,693.58	SCE-64P37*	60.00	33.75	Included
SCE-MOD84X4018	84.00	40.00	18.00	IS3	1,883.48	SCE-76P37*	72.00	33.75	Included
SCE-MOD84X4018G	84.00	40.00	18.00	IS3	1,883.48	SCE-76P37GALV*	72.00	33.75	Included
SCE-MOD84X4024	84.00	40.00	24.00	IS3	2,054.27	SCE-76P37*	72.00	33.75	Included

TWO-DOOR DISCONNECT ENCLOSURE (LEFT SIDE OPEN)

ENCLOSURE PRODUCT CODE A2						SUB-PANEL (P3)			
Catalog No.	Height (A)	Width (B)	Depth (C)	Industry Standard	List Price	Catalog No.	Panel Height (D)	Panel Width (E)	List Price
SCE-MOD72X7818	72.00	78.00	18.00	IS3	3,063.50	SCE-64P76*	60.00	72.00	Included
SCE-MOD84X7818	84.00	78.00	18.00	IS3	3,397.91	SCE-76P76*	72.00	72.00	Included
SCE-MOD84X7818G	84.00	78.00	18.00	IS3	3,509.74	SCE-76P76GALV*	72.00	72.00	Included
SCE-MOD84X7824	84.00	78.00	24.00	IS3	3,629.61	SCE-76P76*	72.00	72.00	Included
SCE-MOD84X7824G	84.00	78.00	24.00	IS3	3,629.61	SCE-76P76GALV*	72.00	72.00	Included

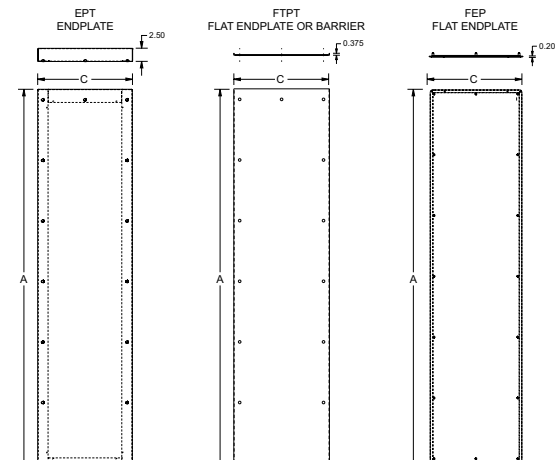
SINGLE-DOOR SLAVE ENCLOSURE (BOTH SIDES OPEN)

ENCLOSURE PRODUCT CODE A2						SUB-PANEL (P3)			
Catalog No.	Height (A)	Width (B)	Depth (C)	Industry Standard	List Price	Catalog No.	Panel Height (D)	Panel Width (E)	List Price
SCE-MOD724018	72.00	40.00	18.00	IS3	1,672.08	SCE-64P37*	60.00	33.75	Included
SCE-MOD724018G	72.00	40.00	18.00	IS3	1,722.08	SCE-64P37GALV*	60.00	33.75	Included
SCE-MOD844018	84.00	40.00	18.00	IS3	1,859.60	SCE-76P37*	72.00	33.75	Included
SCE-MOD844018G	84.00	40.00	18.00	IS3	1,909.60	SCE-76P37GALV*	72.00	33.75	Included
SCE-MOD844024	84.00	40.00	24.00	IS3	2,030.39	SCE-76P37*	72.00	33.75	Included

TWO-DOOR SLAVE ENCLOSURE (BOTH SIDES OPEN)

ENCLOSURE PRODUCT CODE A2						SUB-PANEL (P3)			
Catalog No.	Height (A)	Width (B)	Depth (C)	Industry Standard	List Price	Catalog No.	Panel Height (D)	Panel Width (E)	List Price
SCE-MOD727718	72.00	77.00	18.00	IS3	3,042.00	SCE-64P76*	60.00	72.00	Included
SCE-MOD847718	84.00	77.00	18.00	IS3	3,374.03	SCE-76P76*	72.00	72.00	Included
SCE-MOD847718G	84.00	77.00	18.00	IS3	3,632.84	SCE-76P76GALV*	72.00	72.00	Included
SCE-MOD847724	84.00	77.00	24.00	IS3	3,603.34	SCE-76P76*	72.00	72.00	Included
SCE-MOD847724G	84.00	77.00	24.00	IS3	3,603.34	SCE-76P76GALV*	72.00	72.00	Included

* Sub-panel included with enclosure. Replacement plates can be ordered. Prices found in the accessory section. Part numbers ending in "G" have galvanized sub-panels installed.



Catalog No.	Size	Enclosure Depth	Enclosure Height	Product Code	List Price
SCE-MOD72EPT	72.00 x 18.00 x 2.50	18.00	72.00	P2	326.59
SCE-MOD84EPT	84.00 x 18.00 x 2.50	18.00	84.00	P2	358.87
SCE-MOD8424EPT	84.00 x 24.00 x 2.50	24.00	84.00	P2	391.16

Catalog No.	Size	Enclosure Depth	Enclosure Height	Product Code	List Price
SCE-MOD72FTPT	72.00 x 18.25 x 0.375	18.00	72.00	P2	238.42
SCE-MOD84FTPT	84.00 x 18.25 x 0.375	18.00	84.00	P2	262.02
SCE-MOD8424FTPT	84.00 x 24.25 x 0.375	24.00	84.00	P2	293.07

Catalog No.	Size	Enclosure Depth	Enclosure Height	Product Code	List Price
SCE-MOD72FEP	71.50 x 17.50 x 1.00	18.00	72.00	P2	288.09
SCE-MOD84FEP	83.50 x 17.50 x 1.00	18.00	84.00	P2	311.69
SCE-MOD8424FEP	83.50 x 23.50 x 1.00	24.00	84.00	P2	342.74

Catalog No.	Enclosure Depth	Enclosure Height	Product Code	List Price
SCE-MODGK	18.00 & 24.00	72.00 & 84.00	P2	79.47

Catalog No.	Size	Enclosure Depth	Product Code	List Price
SCE-14RMW	6.00 x 35.00 x 14.00	18.00	P2	198.69
SCE-20RMW	6.00 x 35.00 x 20.00	24.00	P2	223.52

Catalog No.	Size	Enclosure Height	Product Code	List Price
SCE-72FP	60.00 x 9.38 x 0.125	72.00	P3	78.49
SCE-84FP	72.00 x 9.38 x 0.125	84.00	P3	88.62
SCE-90FP	78.00 x 9.38 x 0.125	90.00	P3	96.21



Phone (989) 799-6871
Fax (989) 799-4524

Your Enclosure Source®

MODULAR ENCLOSURE ACCESSORIES

End Plates

Designed to provide a sealed cover for the open end of a modular enclosure. Provides additional wiring space along the side of the enclosure. Gasket and mounting hardware is included. Made of heavy gauge steel and powder coated ANSI-61 gray.

Barrier/Flat End Plates

Designed to serve as a barrier between two modular enclosure sections. Also can be used to provide a lower profile sealed cover for the open end of a modular enclosure. Mounting holes. Gasket and hardware is included. When using as barrier between two enclosures, a SCE-MODGK is needed. Made of heavy gauge steel and powder coated ANSI-61 gray.

Flat End Plates

Designed to provide a lower profile sealed cover with a finished appearance for the open end of a modular enclosure. Studded for easy installation. Gasket and mounting hardware is included. Made of heavy gauge steel and powder coated ANSI-61 gray.

Gasket and Bolt Kit

Designed to be used as an additional gasket or to replace gasket kits when changing modular enclosure configurations. Includes oil resistant gasket and zinc coated nuts and bolts. Required when bolting one enclosure to another.

Removable Wire Cover

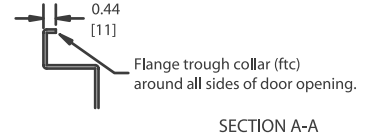
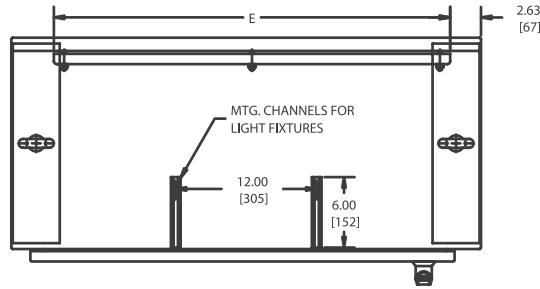
Designed to cover the wires in the bottom of the enclosure. One wire cover required per door. Made of heavy gauge steel and powder coated white.

Filler Plates

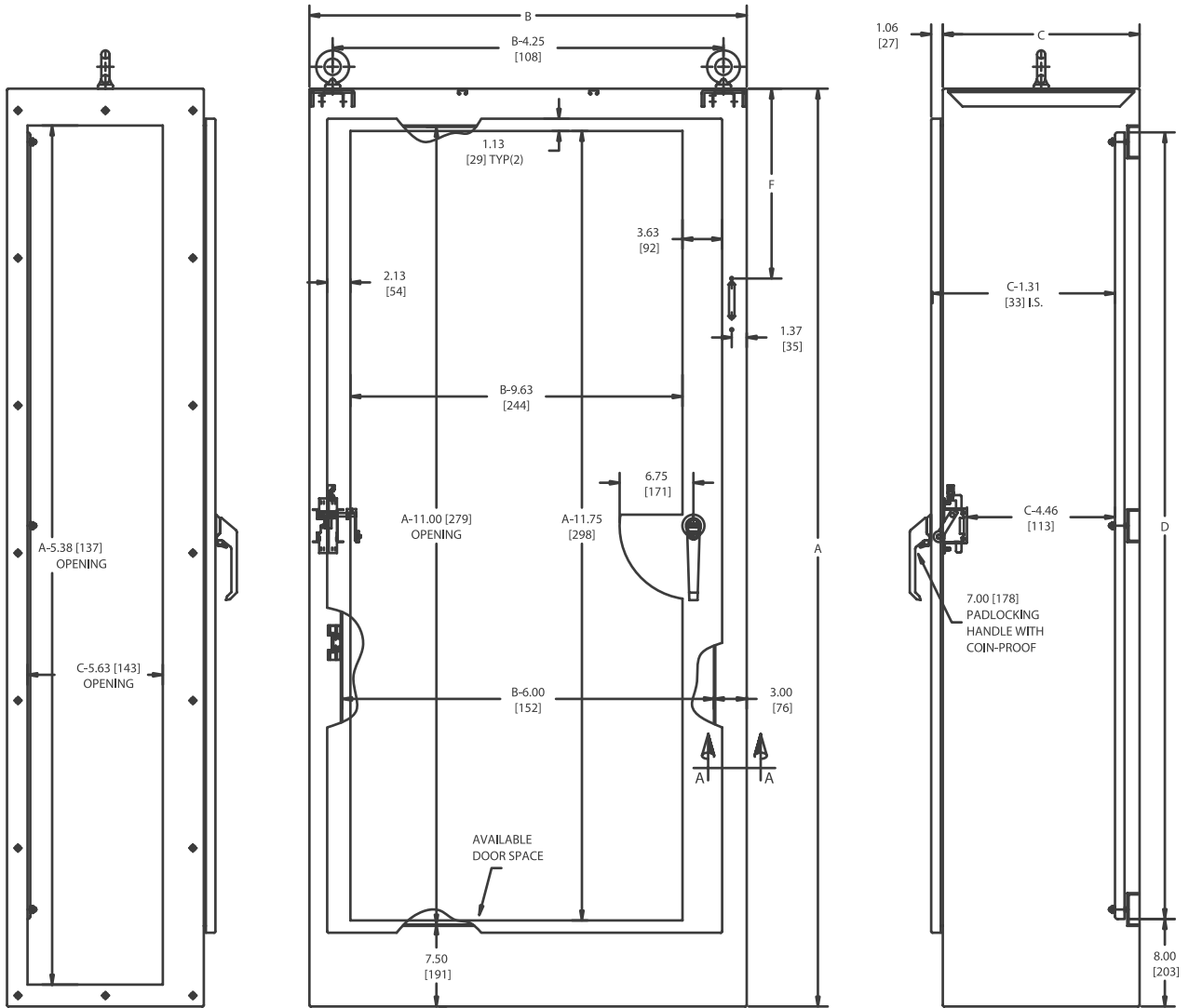
Designed to provide additional mounting surface between sub-panels or sections of a modular enclosure. Slotted mounting holes allow flexible installation. Made of heavy gauge steel. Panels are powder coated white.

MODULAR ENCLOSURES TECHNICAL DATA

SINGLE-DOOR MODULAR ENCLOSURE WITH DISCONNECT (LEFT SIDE OPEN)



F=11.88 [302] WHEN A=72.00 [1829]
F=17.38 [441] WHEN A=84.00 [2134]



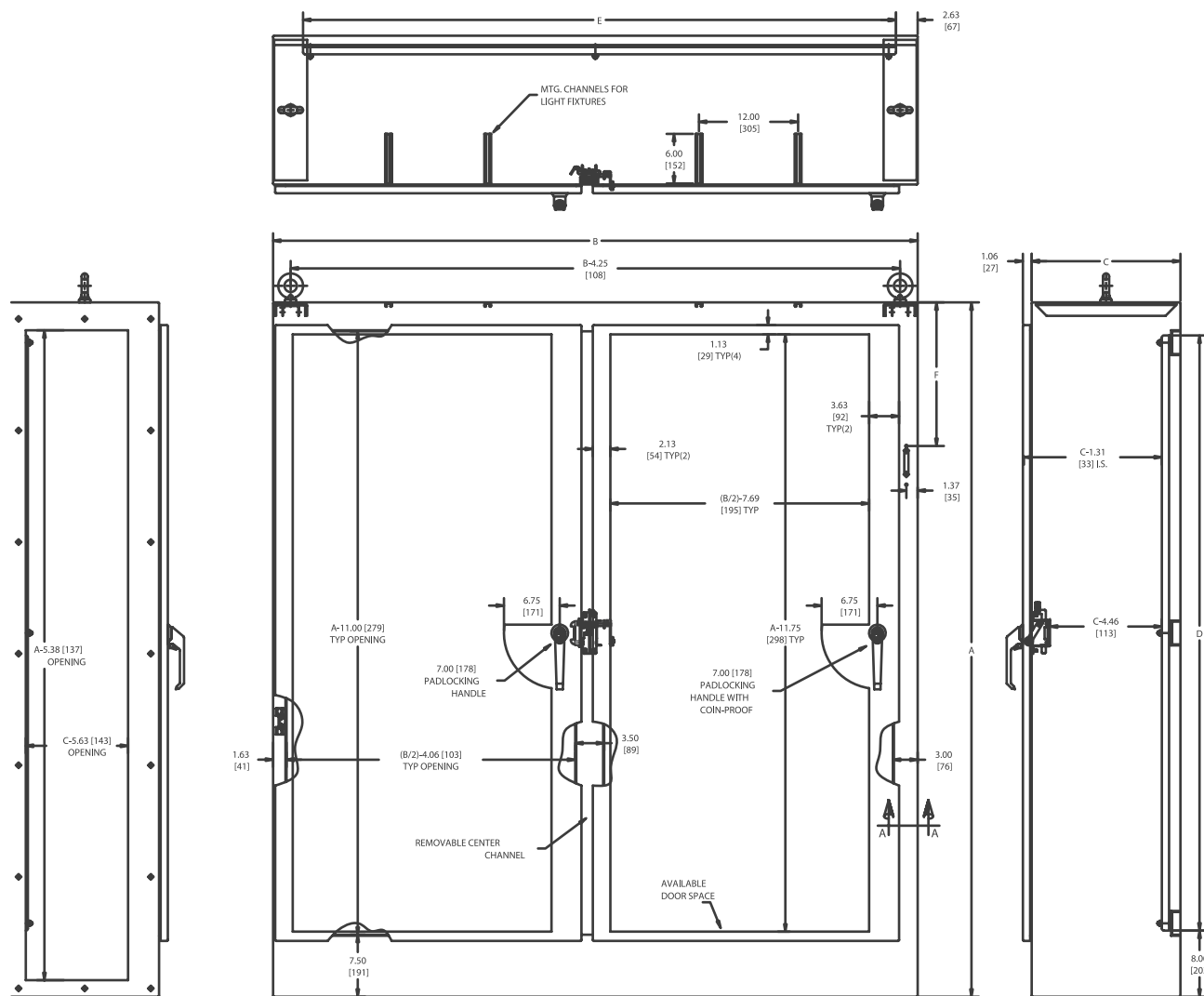
Phone (989) 799-6871
Fax (989) 799-4524



- 1 Operator System Enclosures
- 2 Wall-Mount Enclosures
- 3 Free-Standing & Floor-Mounted Enclosures
- 4 Modular Enclosures
- 5 Operator System Enclosures (Stainless Steel)
- 6 Wall-Mount Enclosures (Stainless Steel)
- 7 Free-Standing & Floor-Mounted Enclosures (Stainless Steel)
- 8 Non-Metallic Enclosures
- 9 Accessories
- 10 Technical Information
- 11 Index

MODULAR ENCLOSURES TECHNICAL DATA

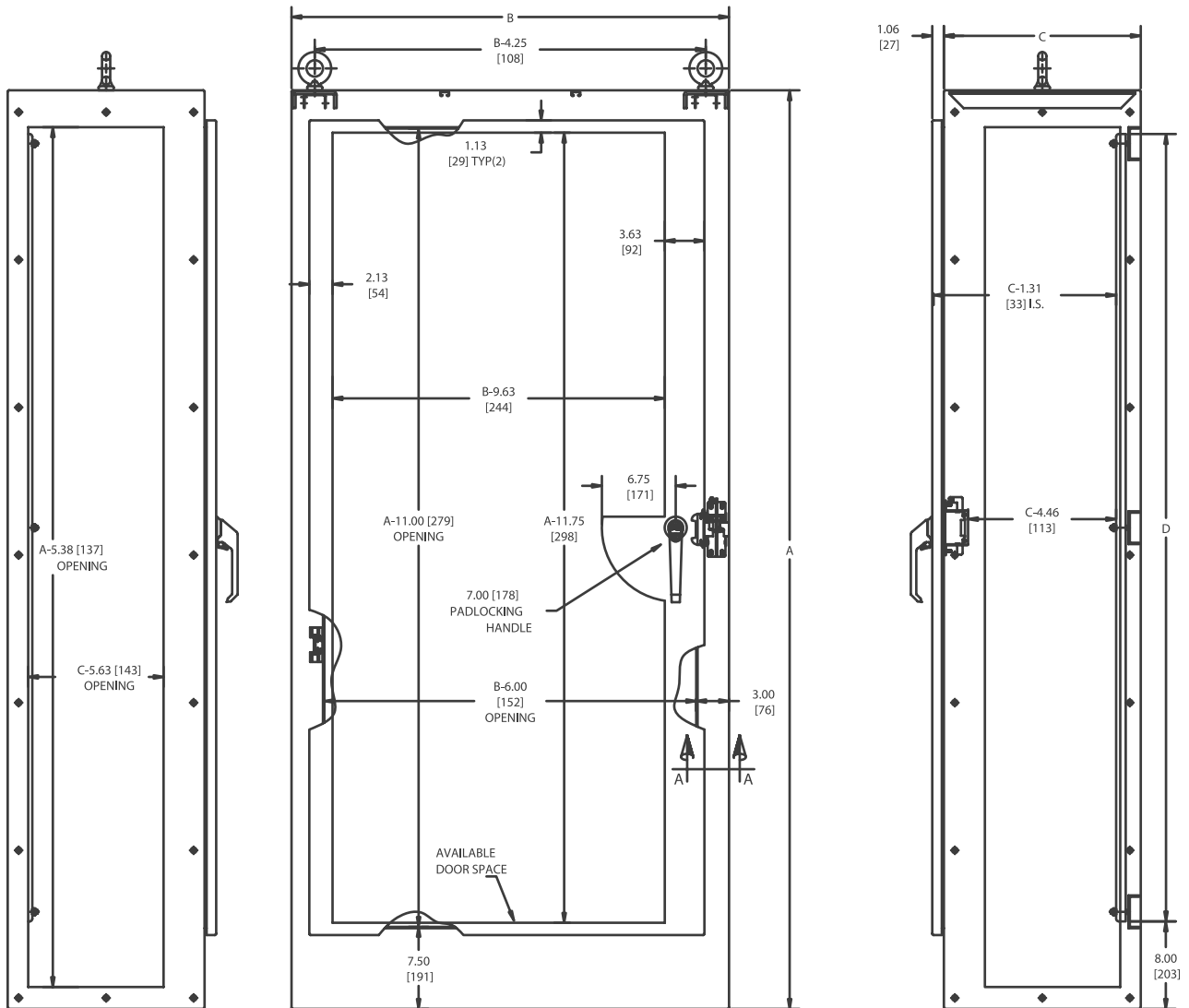
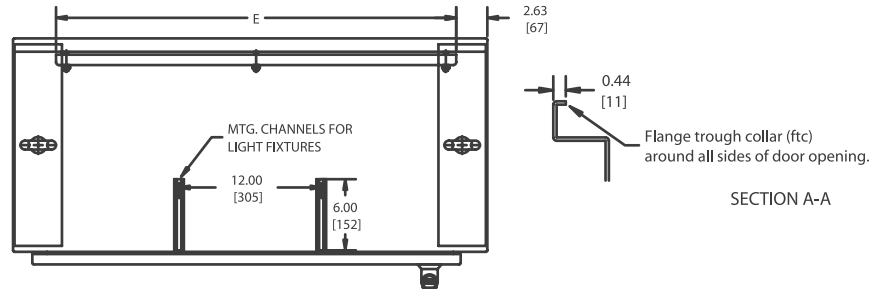
TWO-DOOR MODULAR ENCLOSURE WITH DISCONNECT (LEFT SIDE OPEN)



F=11.88 [302] WHEN A=72.00 [1829]
F=17.38 441 WHEN A=84.00 2134

MODULAR ENCLOSURES TECHNICAL DATA

SINGLE-DOOR SLAVE ENCLOSURE (BOTH SIDES OPEN)



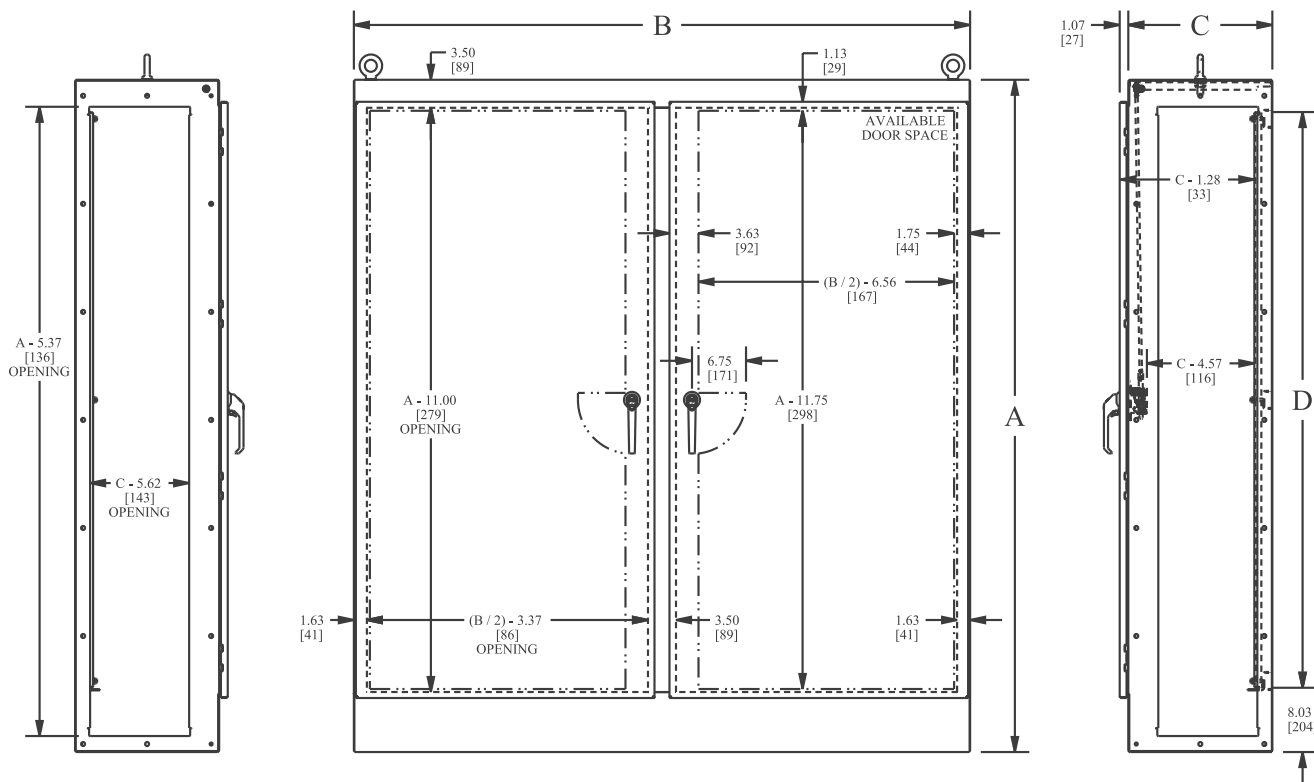
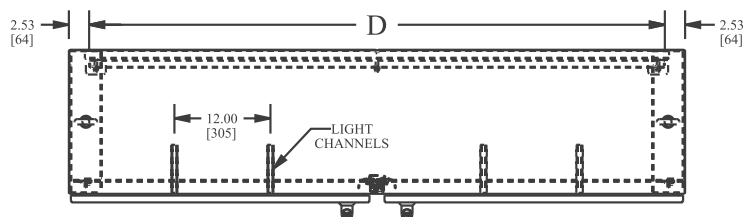
Phone (989) 799-6871
Fax (989) 799-4524



1 Operator System Enclosures
2 Wall-Mount Enclosures
3 Free-Standing & Floor-Mounted Enclosures
4 Modular Enclosures
5 Operator System Enclosures (Stainless Steel)
6 Wall-Mount Enclosures (Stainless Steel)
7 Free-Standing & Floor-Mounted Enclosures (Stainless Steel)
8 Non-Metallic Enclosures
9 Accessories
10 Technical Information
11 Index

MODULAR ENCLOSURES TECHNICAL DATA

TWO-DOOR SLAVE ENCLOSURE (BOTH SIDES OPEN)



IMS Single-Door Enclosures

Application -

Can be bolted together in any desired multiple door arrangement.

Designed to house electrical equipment and provide degree of protection from dust, dirt, water and oil. For installation information, consult our Installation Manual at www.saginawcontrol.com.

Construction -

- 0.104" carbon steel.
- Seams continuously welded and ground smooth.
- Flange trough collar around all sides of door opening.
- Heavy duty lifting eyes anchor into reinforced top.
- Body stiffeners in large enclosures for extra rigidity.
- Mounting holes provided in bottom of enclosure for installing plinth base or securing to the floor.
- Concealed hinges.
- Removable and interchangeable doors.
- Black zinc die cast padlocking handle.
- 3-point latching mechanism.
- Mounting channels provided in top and bottom of enclosure.
- Oil resistant gasket.
- Enclosures are provided with provisions for mechanical interlock system expansion.
- Ground stud on door and body.
- Gland plate provided in bottom of enclosure.

Note -

SCE-IMSBK sold separately, required when bolting one enclosure to another.

Accessories - See page 182

Finish -

RAL 7035 gray powder coated inside and out.

IS3 - Industry Standards -

NEMA Type 3R, 12 & Type 13

UL Listed Type 3R & 12

CSA Type 3R & 12

IEC 60529 IP55

***Special Instructions apply for IS3, IS4 and IS6 to maintain the environmental rating of Type 3R for these parts. See the Special Instructions on the Industry Standards page in the Technical Information Section.

(IMS) INDUSTRIAL MODULAR SYSTEM SINGLE-DOOR ENCLOSURES

ENCLOSURE PRODUCT CODE 11

Catalog No.	Height (A)	Ref. mm Height (A)	Width (B)	Ref. mm Width (B)	Depth (C)	Ref. mm Depth (C)	Industry Standard	List Price
SCE-S180605LG	70.87	1800	23.62	600	18.00	500	IS3	1,295.18
SCE-S180606LG	70.87	1800	23.62	600	22.00	600	IS3	1,369.60
SCE-S180805LG	70.87	1800	31.50	800	18.00	500	IS3	1,500.83
SCE-S180806LG	70.87	1800	31.50	800	22.00	600	IS3	1,592.96
SCE-S181005LG	70.87	1800	39.37	1000	18.00	500	IS3	1,658.32
SCE-S181006LG	70.87	1800	39.37	1000	22.00	600	IS3	1,757.74
SCE-S200605LG	78.74	2000	23.62	600	18.00	500	IS3	1,375.64
SCE-S200606LG	78.74	2000	23.62	600	22.00	600	IS3	1,457.21
SCE-S200805LG	78.74	2000	31.50	800	18.00	500	IS3	1,588.55
SCE-S200806LG	78.74	2000	31.50	800	22.00	600	IS3	1,687.38
SCE-S201005LG	78.74	2000	39.37	1000	18.00	500	IS3	1,760.00
SCE-S201006LG	78.74	2000	39.37	1000	22.00	600	IS3	1,866.38

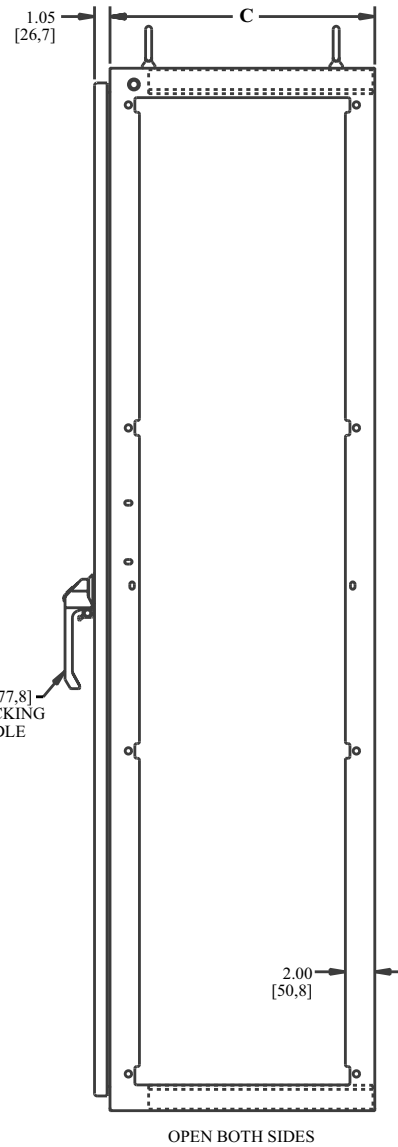
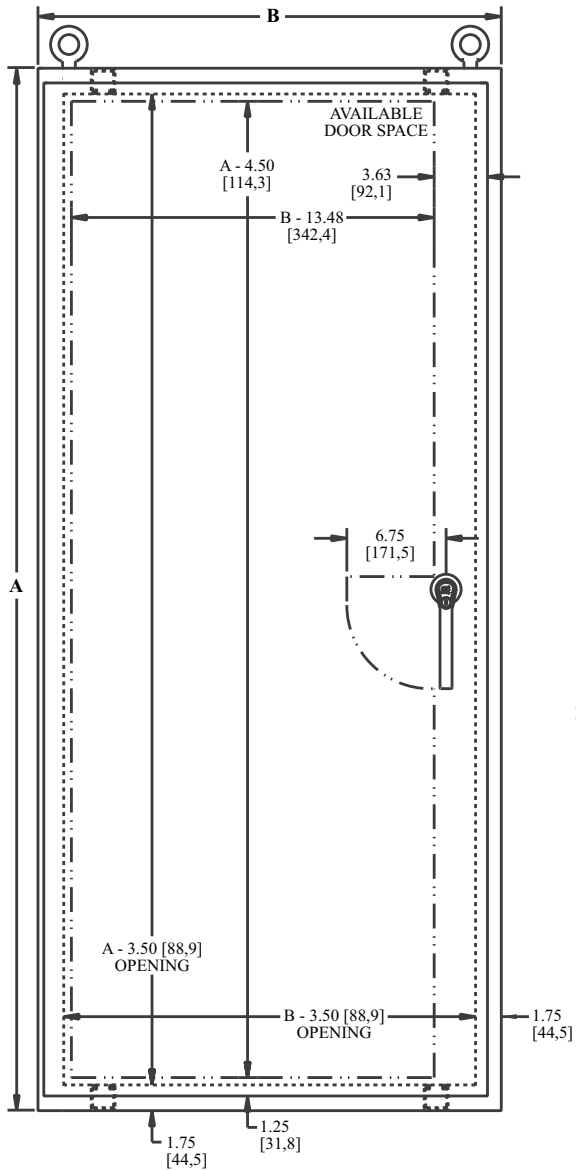
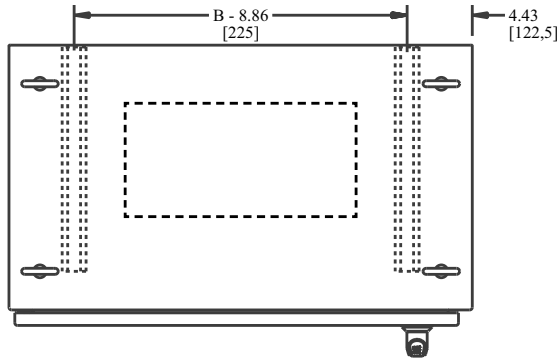


Phone (989) 799-6871

Fax (989) 799-4524



IMS SINGLE-DOOR ENCLOSURE TECHNICAL DATA



IMS Two-Door Enclosures

Application -

Can be bolted together in any desired multiple door arrangement.

Designed to house electrical equipment and provide degree of protection from dust, dirt, water and oil. For installation information, consult our Installation Manual at www.saginawcontrol.com.

Construction -

- 0.104" carbon steel.
- Seams continuously welded and ground smooth.
- Flange trough collar around all sides of door opening.
- Overlapping doors.
- Heavy duty lifting eyes anchor into reinforced top.
- Body stiffeners in large enclosures for extra rigidity.
- Mounting holes provided in bottom of enclosure for installing plinth base or securing to the floor.
- Concealed hinges.
- Removable and interchangeable doors.
- Black zinc die cast padlocking handle.
- 3-point latching mechanism.
- Mounting channels provided in top and bottom of enclosure.
- Oil resistant gasket.
- Enclosures are provided with provisions for mechanical interlock system expansion.
- Ground stud on door and body.
- Gland plates provided in bottom of enclosure.

Note -

SCE-IMSBK sold separately, required when bolting one enclosure to another.

Accessories - See page 183

Finish -

RAL 7035 gray powder coated inside and out.

IS3 - Industry Standards -

NEMA Type 3R, 12 & Type 13

UL Listed Type 3R & 12

CSA Type 3R & 12

IEC 60529 IP55

***Special Instructions apply for IS3, IS4 and IS6 to maintain the environmental rating of Type 3R for these parts. See the Special Instructions on the Industry Standards page in the Technical Information Section.

(IMS) INDUSTRIAL MODULAR SYSTEM TWO-DOOR ENCLOSURES

ENCLOSURE PRODUCT CODE I1

Catalog No.	Height (A)	Ref. mm Height (A)	Width (B)	Ref. mm Width (B)	Depth (C)	Ref. mm Depth (C)	Industry Standard	List Price
SCE-T181205LG	70.87	1800	47.24	1200	18.00	500	IS3	1,823.00
SCE-T181206LG	70.87	1800	47.24	1200	22.00	600	IS3	2,004.13
SCE-T181605LG	70.87	1800	62.99	1600	18.00	500	IS3	2,217.42
SCE-T181606LG	70.87	1800	62.99	1600	22.00	600	IS3	2,328.65
SCE-T201205LG	78.74	2000	47.24	1200	18.00	500	IS3	2,014.20
SCE-T201206LG	78.74	2000	47.24	1200	22.00	600	IS3	2,127.40
SCE-T201605LG	78.74	2000	62.99	1600	18.00	500	IS3	2,367.49
SCE-T201606LG	78.74	2000	62.99	1600	22.00	600	IS3	2,486.21

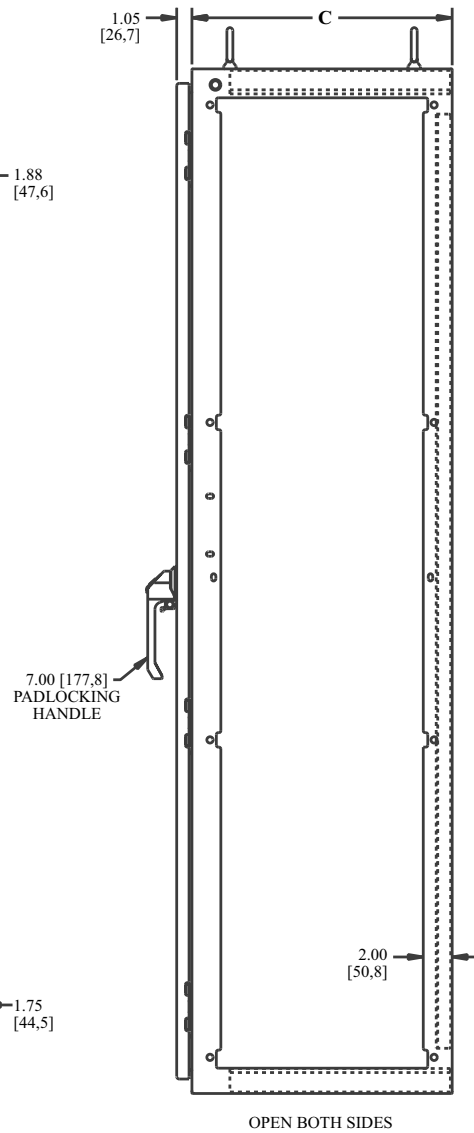
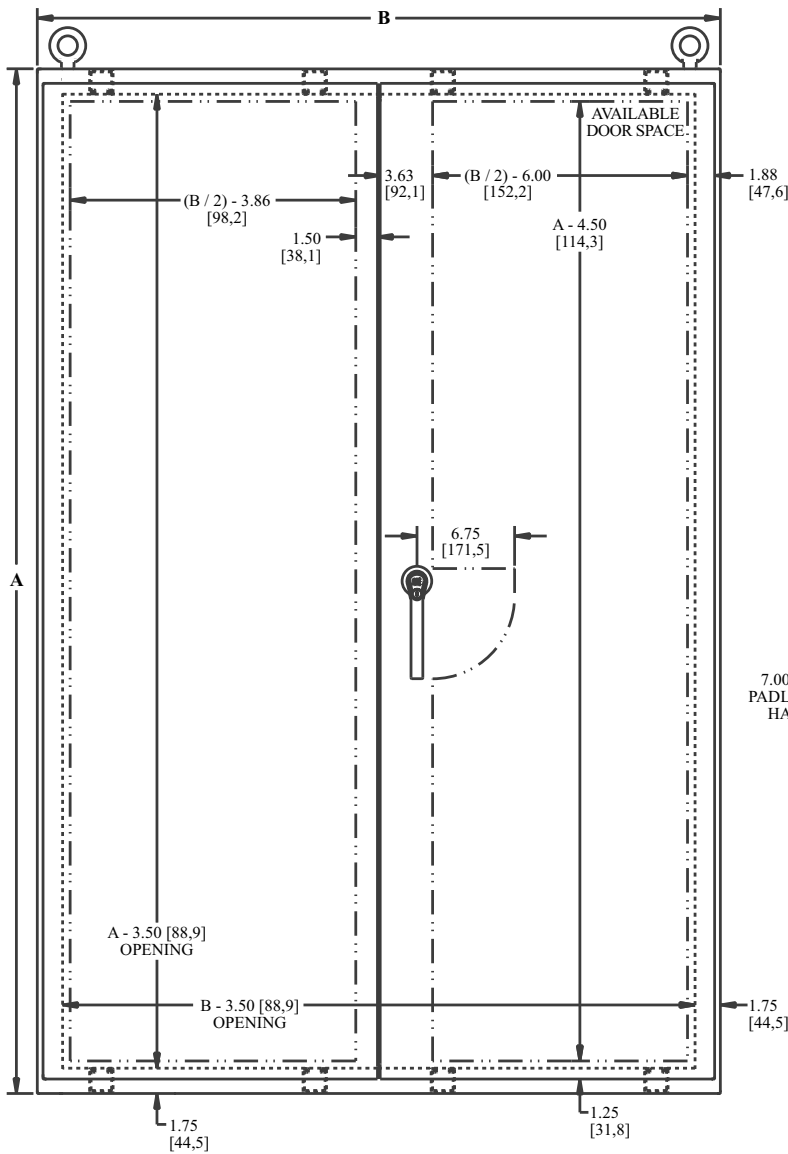
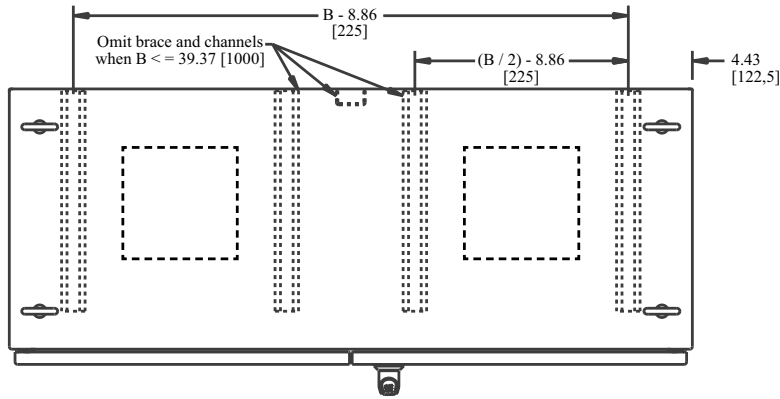


Phone (989) 799-6871

Fax (989) 799-4524



IMS TWO-DOOR ENCLOSURE TECHNICAL DATA



IMS Single-Door Enclosure with Slave Door Disconnect

Application -

Can be bolted together in any desired multiple door arrangement.

Designed to house electrical equipment and most standard type disconnects and circuit breakers, and provide degree of protection from dust, dirt, water and oil. For installation information, consult our Installation Manual at www.saginawcontrol.com.

Construction -

- 0.104" carbon steel.
- Seams continuously welded and ground smooth.
- Flange trough collar around all sides of door opening.
- Heavy duty lifting eyes anchor into reinforced top.
- Body stiffeners in large enclosures for extra rigidity.
- Mounting holes provided in bottom of enclosure for installing plinth base or securing to the floor.
- Concealed hinges.
- Removable and interchangeable doors.
- Black zinc die cast coinproof/padlocking handle.
- 3-point latching mechanism.
- Large removable print pocket on main door of disconnect enclosures.
- Mounting channels provided in top and bottom of enclosure.
- Oil resistant gasket.
- Enclosures are provided with provisions for mechanical interlock system expansion.
- Ground stud on door and body.
- Gland plates provided in bottom of enclosure.

Note -

SCE-IMSBK sold separately, required when bolting one enclosure to another.

Accessories - See page 184

Finish -

RAL 7035 gray powder coated inside and out.

IS3 - Industry Standards -

NEMA Type 3R, 12 & Type 13
UL Listed Type 3R & 12
CSA Type 3R & 12
IEC 60529 IP55

***Special Instructions apply for IS3, IS4 and IS6 to maintain the environmental rating of Type 3R for these parts. See the Special Instructions on the Industry Standards page in the Technical Information Section.

(IMS) INDUSTRIAL MODULAR SYSTEM SINGLE-DOOR ENCLOSURE WITH SLAVE DOOR DISCONNECT

ENCLOSURE PRODUCT CODE 11

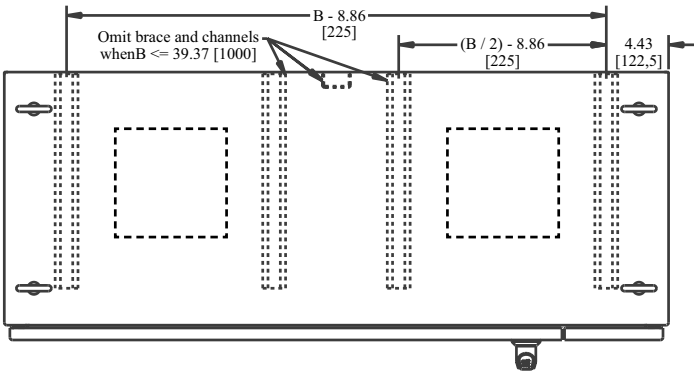
Catalog No.	Height (A)	Ref. mm Height (A)	Width (B)	Ref. mm Width (B)	Depth (C)	Ref. mm Depth (C)	Industry Standard	List Price
SCE-SD180805LG	70.87	1800	31.50	800	18.00	500	IS3	1,809.40
SCE-SD180806LG	70.87	1800	31.50	800	22.00	600	IS3	1,901.53
SCE-SD181005LG	70.87	1800	39.37	1000	18.00	500	IS3	1,966.89
SCE-SD181006LG	70.87	1800	39.37	1000	22.00	600	IS3	2,066.31
SCE-SD181205LG	70.87	1800	47.24	1200	18.00	500	IS3	2,124.52
SCE-SD181206LG	70.87	1800	47.24	1200	22.00	600	IS3	2,230.42
SCE-SD200805LG	78.74	2000	31.50	800	18.00	500	IS3	1,897.12
SCE-SD200806LG	78.74	2000	31.50	800	22.00	600	IS3	1,996.40
SCE-SD201005LG	78.74	2000	39.37	1000	18.00	500	IS3	2,068.57
SCE-SD201006LG	78.74	2000	39.37	1000	22.00	600	IS3	2,174.95
SCE-SD201205LG	78.74	2000	47.24	1200	18.00	500	IS3	2,294.38
SCE-SD201206LG	78.74	2000	47.24	1200	22.00	600	IS3	2,371.41



Phone (989) 799-6871
Fax (989) 799-4524

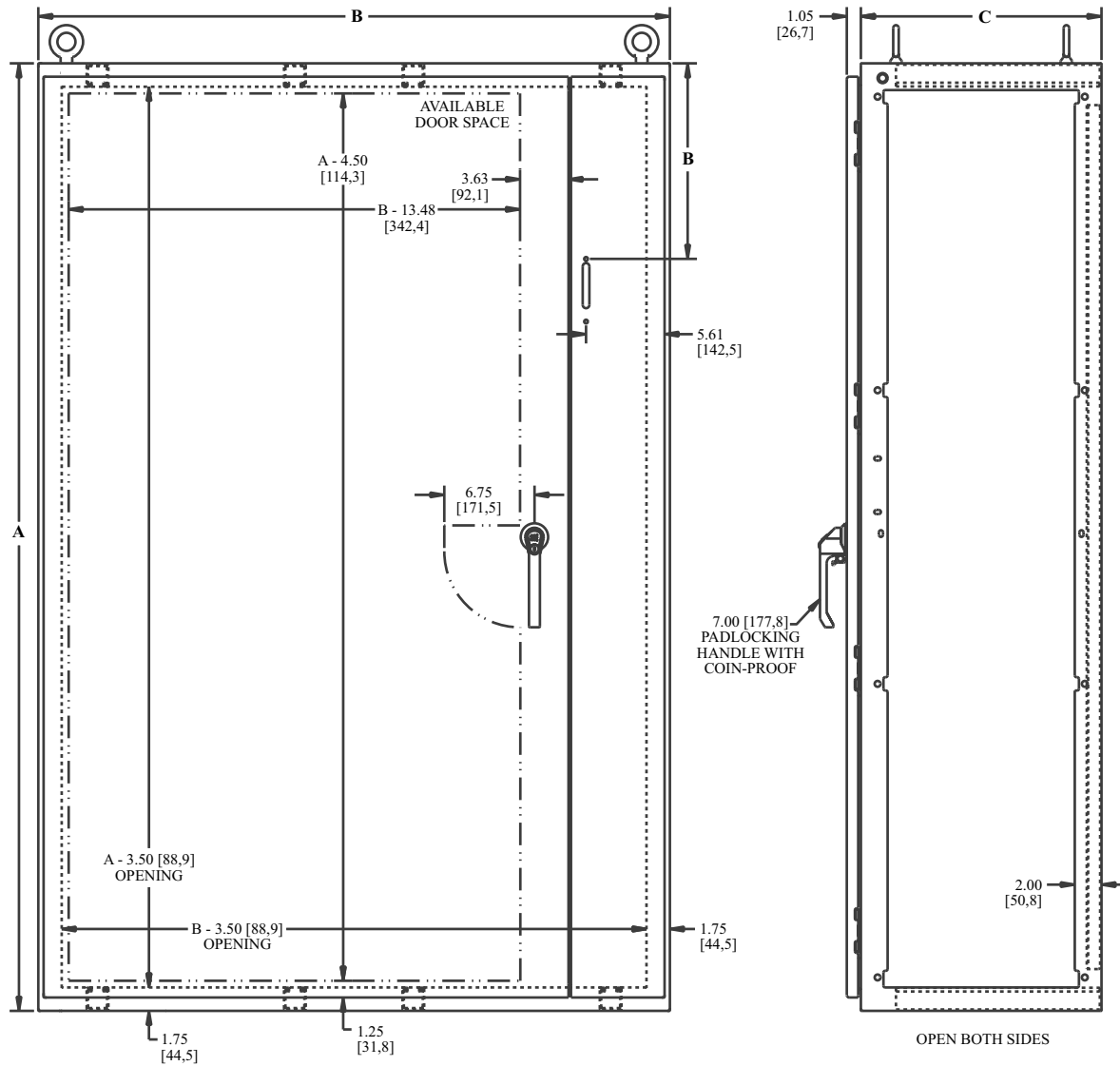


IMS SINGLE-DOOR ENCLOSURE WITH SLAVE DOOR DISCONNECT TECHNICAL DATA



DISCONNECT NOTES:

F = 14.625 [371,48] when A = 70.87 [1800]
 F = 18.625 [473,08] when A = 78.74 [2000]



IMS Two-Door Enclosure with Slave Door Disconnect

Application -

Can be bolted together in any desired multiple door arrangement.

Designed to house electrical equipment and most standard type disconnects and circuit breakers, and provide degree of protection from dust, dirt, water and oil. For installation information, consult our Installation Manual at www.saginawcontrol.com.

Construction -

- 0.104" carbon steel.
- Seams continuously welded and ground smooth.
- Flange trough collar around all sides of door opening.
- Heavy duty lifting eyes anchor into reinforced top.
- Body stiffeners in large enclosures for extra rigidity.
- Mounting holes provided in bottom of enclosure for installing plinth base or securing to the floor.
- Concealed hinges.
- Removable and interchangeable doors.
- Black zinc die cast coinproof/padlocking handle on main door, padlocking on all other doors.
- 3-point latching mechanism.
- Large removable print pocket on main door of disconnect enclosures.
- Mounting channels provided in top and bottom of enclosure.
- Oil resistant gasket.
- Mechanical interlock provided on two door disconnect enclosures and all enclosures are provided with provisions for system expansion.
- Ground stud on door and body.
- Gland plates provided in bottom of enclosure.

Note -

SCE-IMSBK sold separately, required when bolting one enclosure to another.

Accessories - See page 185

Finish -

RAL 7035 gray powder coated inside and out.

IS3 - Industry Standards -

NEMA Type 3R, 12 & Type 13

UL Listed Type 3R & 12

CSA Type 3R & 12

IEC 60529 IP55

***Special Instructions apply for IS3, IS4 and IS6 to maintain the environmental rating of Type 3R for these parts. See the Special Instructions on the Industry Standards page in the Technical Information Section.

(IMS) INDUSTRIAL MODULAR SYSTEM TWO-DOOR ENCLOSURE WITH SLAVE DOOR DISCONNECT

ENCLOSURE PRODUCT CODE 11

Catalog No.	Height (A)	Ref. mm Height (A)	Width (B)	Ref. mm Width (B)	Depth (C)	Ref. mm Depth (C)	Industry Standard	List Price
SCE-TD181605LG	70.87	1800	62.99	1600	18.00	500	IS3	2,289.09
SCE-TD181606LG	70.87	1800	62.99	1600	22.00	600	IS3	2,394.99
SCE-TD181805LG	70.87	1800	70.87	1800	18.00	500	IS3	2,608.27
SCE-TD181806LG	70.87	1800	70.87	1800	22.00	600	IS3	2,719.51
SCE-TD201605LG	78.74	2000	62.99	1600	18.00	500	IS3	2,405.06
SCE-TD201606LG	78.74	2000	62.99	1600	22.00	600	IS3	2,518.26
SCE-TD201805LG	78.74	2000	70.87	1800	18.00	500	IS3	2,758.35
SCE-TD201806LG	78.74	2000	70.87	1800	22.00	600	IS3	2,877.07

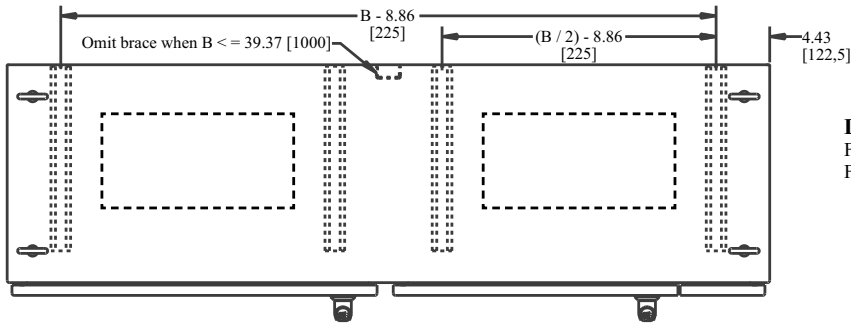


Phone (989) 799-6871

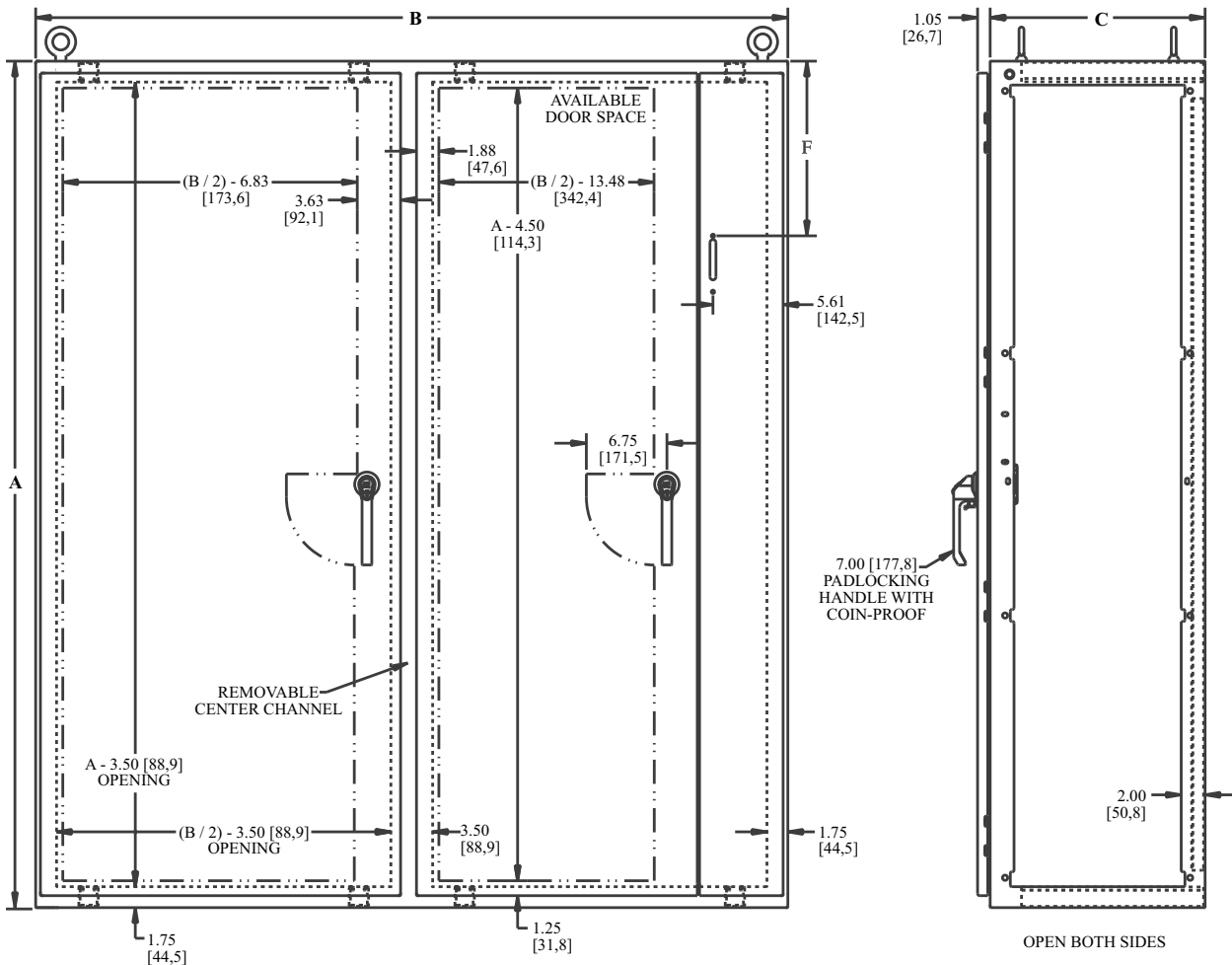
Fax (989) 799-4524



IMS TWO-DOOR ENCLOSURE WITH SLAVE DOOR DISCONNECT TECHNICAL DATA



DISCONNECT NOTES:
 F = 14.625 [371,48] when A = 70.87 [1800]
 F = 18.625 [473,08] when A = 78.74 [2000]



IMS SINGLE-DOOR ENCLOSURES

PART NUMBER	DESCRIPTION												
		SCE-S180605LG	SCE-S180606LG	SCE-S180805LG	SCE-S180806LG	SCE-S181005LG	SCE-S181006LG	SCE-S200605LG	SCE-S200606LG	SCE-S200805LG	SCE-S200806LG	SCE-S201005LG	SCE-S201006LG
SCE-BP1805LG	Barrier Plate	•		•		•							
SCE-BP1806LG	Barrier Plate		•		•		•						
SCE-BP2005LG	Barrier Plate							•		•		•	
SCE-BP2006LG	Barrier Plate								•		•		•
SCE-EP1805LG	End Plate	•		•		•							
SCE-EP1806LG	End Plate		•		•		•						
SCE-EP2005LG	End Plate							•		•		•	
SCE-EP2006LG	End Plate								•		•		•
SCE-GP08	IMS Gland Plate	•	•					•	•				
SCE-GP16	IMS Gland Plate			•	•	•	•			•	•	•	•
SCE-SGP08	IMS Sliding Gland Plate	•	•					•	•				
SCE-SGP16	IMS Sliding Gland Plate			•	•	•	•			•	•	•	•
SCE-P010605	Single-Door Plinth Base	•						•					
SCE-P010606	Single-Door Plinth Base		•						•				
SCE-P010805	Single-Door Plinth Base			•						•			
SCE-P010806	Single-Door Plinth Base				•						•		
SCE-P011005	Single-Door Plinth Base					•						•	
SCE-P011006	Single-Door Plinth Base						•						•
SCE-SP1806G	Single-Door Sub-Panel (Galvanized)	•	•										
SCE-SP1808G	Single-Door Sub-Panel (Galvanized)			•	•								
SCE-SP1810G	Single-Door Sub-Panel (Galvanized)					•	•						
SCE-SP2006G	Single-Door Sub-Panel (Galvanized)							•	•				
SCE-SP2008G	Single-Door Sub-Panel (Galvanized)									•	•		
SCE-SP2010G	Single-Door Sub-Panel (Galvanized)											•	•
SCE-FP18G	Filler Plates (Galvanized)	•	•	•	•	•	•						
SCE-FP20G	Filler Plates (Galvanized)							•	•	•	•	•	•
SCE-SPMP05	Sub-Panel Mounting Strap	•		•		•		•		•		•	
SCE-SPMP06	Sub-Panel Mounting Strap		•		•			•		•		•	
SCE-FMA	Floor Mounting Angles	•	•	•	•	•	•	•	•	•	•	•	•
SCE-IMSBK	IMS Bolt Pack	•	•	•	•	•	•	•	•	•	•	•	•
SCE-DF1806	Dead Front/Swing Panel	•	•										
SCE-DF1808	Dead Front/Swing Panel			•	•								
SCE-DF1810	Dead Front/Swing Panel					•	•						
SCE-DF2006	Dead Front/Swing Panel							•	•				
SCE-DF2008	Dead Front/Swing Panel									•	•		
SCE-DF2010	Dead Front/Swing Panel											•	•
SCE-URA18	U - Shape Rack Angles	•	•	•	•	•	•						
SCE-URA20	U - Shape Rack Angles							•	•	•	•	•	•
SCE-LRA18	L - Shape Rack Angles	•	•	•	•	•	•						
SCE-LRA20	L - Shape Rack Angles							•	•	•	•	•	•
SCE-SDMI	IMS Slave Door Mechanical Interlock Kit	•	•	•	•	•	•	•	•	•	•	•	•
SCE-MDMI	IMS Main Single-Door Interlock Kit	•	•	•	•	•	•	•	•	•	•	•	•
SCE-VMG18	Vertical Mounting Grid	•	•	•	•	•	•						
SCE-VMG20	Vertical Mounting Grid							•	•	•	•	•	•
SCE-TEMG	Top, End Mounting Grid	•	•	•	•	•	•	•	•	•	•	•	•
SCE-EMG	End Mounting Grid	•	•	•	•	•	•	•	•	•	•	•	•
SCE-FMG06	Filler Mounting Grid	•	•					•	•				
SCE-FMG08	Filler Mounting Grid			•	•					•	•		
SCE-FMG10	Filler Mounting Grid					•	•					•	•
SCE-20POS	Pullout Shelf				•		•				•		•
SCE-22VEPOS	Vented Pullout Shelf				•		•				•		•
SCE-20STS	Stationary Shelf				•		•				•		•
SCE-20VESTS	Vented Stationary Shelf				•		•				•		•

1 Operator System Enclosures
 2 Wall-Mount Enclosures
 3 Free-Standing & Floor-Mounted Enclosures
 4 Modular Enclosures
 5 Operator System Enclosures (Stainless Steel)
 6 Wall-Mount Enclosures (Stainless Steel)
 7 Free-Standing & Floor-Mounted Enclosures (Stainless Steel)
 8 Non-Metallic Enclosures
 9 Accessories
 10 Technical Information
 11 Index

IMS TWO-DOOR ENCLOSURES

PART NUMBER	DESCRIPTION								
		SCE-T181205LG	SCE-T181206LG	SCE-T181605LG	SCE-T181606LG	SCE-T201205LG	SCE-T201206LG	SCE-T201605LG	SCE-T201606LG
SCE-BP1805LG	Barrier Plate	.		.					
SCE-BP1806LG	Barrier Plate		.		.				
SCE-BP2005LG	Barrier Plate					.		.	
SCE-BP2006LG	Barrier Plate						.		.
SCE-EP1805LG	End Plate	.		.					
SCE-EP1806LG	End Plate		.		.				
SCE-EP2005LG	End Plate					.		.	
SCE-EP2006LG	End Plate						.		.
SCE-P011205	Two-Door Plinth Base	.				.			
SCE-GP08	IMS Gland Plate		
SCE-GP16	IMS Gland Plate		
SCE-SGP08	IMS Sliding Gland Plate		
SCE-SGP16	IMS Sliding Gland Plate		
SCE-P011206	Single-Door Plinth Base		.				.		
SCE-P011605	Two-Door Plinth Base			.				.	
SCE-P011606	Two-Door Plinth Base				.				.
SCE-SP1806G	Single-Door Sub-Panel (Galvanized)	.	.						
SCE-SP1808G	Single-Door Sub-Panel (Galvanized)			.	.				
SCE-SP2006G	Single-Door Sub-Panel (Galvanized)					.	.		
SCE-SP2008G	Single-Door Sub-Panel (Galvanized)							.	.
SCE-SP1812G	Two-Door Sub-Panel (Galvanized)	.	.						
SCE-SP1816G	Two-Door Sub-Panel (Galvanized)			.	.				
SCE-SP2012G	Two-Door Sub-Panel (Galvanized)					.	.		
SCE-SP2016G	Two-Door Sub-Panel (Galvanized)							.	.
SCE-FP18G	Filler Plates (Galvanized)				
SCE-FP20G	Filler Plates (Galvanized)				
SCE-SPMP05	Sub-Panel Mounting Strap	
SCE-SPMP06	Sub-Panel Mounting Strap	
SCE-FMA	Floor Mounting Angles
SCE-IMSBK	IMS Bolt Pack
SCE-DF1806	Dead Front/Swing Panel	.	.						
SCE-DF1808	Dead Front/Swing Panel			.	.				
SCE-DF2006	Dead Front/Swing Panel					.	.		
SCE-DF2008	Dead Front/Swing Panel							.	.
SCE-URA18	U - Shape Rack Angles				
SCE-URA20	U - Shape Rack Angles				
SCE-LRA18	L - Shape Rack Angles				
SCE-LRA20	L - Shape Rack Angles				
SCE-SDMI	IMS Slave Door Mechanical Interlock Kit
SCE-MDMI	IMS Main Single-Door Interlock Kit
SCE-VMG18	Vertical Mounting Grid
SCE-VMG20	Vertical Mounting Grid				
SCE-TEMG	Top, End Mounting Grid
SCE-EMG	End Mounting Grid
SCE-FMG06	Filler Mounting Grid		
SCE-FMG08	Filler Mounting Grid		
SCE-FMG	Center Filler Mounting Grid
SCE-20POS	Pullout Shelf	
SCE-22VEPOS	Vented Pullout Shelf	
SCE-20STS	Stationary Shelf	
SCE-20VESTS	Vented Stationary Shelf	

- 1 Operator System Enclosures
- 2 Wall-Mount Enclosures
- 3 Free-Standing & Floor-Mounted Enclosures
- 4 Modular Enclosures
- 5 Operator System Enclosures (Stainless Steel)
- 6 Wall-Mount Enclosures (Stainless Steel)
- 7 Free-Standing & Floor-Mounted Enclosures (Stainless Steel)
- 8 Non-Metallic Enclosures
- 9 Accessories
- 10 Technical Information
- 11 Index

IMS SINGLE-DOOR ENCLOSURES WITH SLAVE DOOR DISCONNECT

PART NUMBER	DESCRIPTION	SCE-SD180805LG	SCE-SD180806LG	SCE-SD181005LG	SCE-SD181006LG	SCE-SD181205LG	SCE-SD181206LG	SCE-SD200805LG	SCE-SD200806LG	SCE-SD201005LG	SCE-SD201006LG	SCE-SD201205LG	SCE-SD201206LG
SCE-BP1805LG	Barrier Plate	•		•		•							
SCE-BP1806LG	Barrier Plate		•		•		•						
SCE-BP2005LG	Barrier Plate							•		•		•	
SCE-BP2006LG	Barrier Plate								•		•		•
SCE-EP1805LG	End Plate	•		•		•							
SCE-EP1806LG	End Plate		•		•		•						
SCE-EP2005LG	End Plate							•		•		•	
SCE-EP2006LG	End Plate								•		•		•
SCE-GP08	IMS Gland Plate					•	•					•	•
SCE-GP16	IMS Gland Plate	•	•	•	•			•	•	•	•		
SCE-SGP08	IMS Sliding Gland Plate					•	•					•	•
SCE-SGP16	IMS Sliding Gland Plate	•	•	•	•			•	•	•	•		
SCE-P010805	Single-Door Plinth Base	•						•					
SCE-P010806	Single-Door Plinth Base		•						•				
SCE-P011005	Single-Door Plinth Base			•						•			
SCE-P011006	Single-Door Plinth Base				•						•		
SCE-P011205	Two-Door Plinth Base					•						•	
SCE-P011206	Two-Door Plinth Base						•						•
SCE-SP1806G	Single-Door Sub-Panel (Galvanized)					•	•						
SCE-SP1808G	Single-Door Sub-Panel (Galvanized)	•	•										
SCE-SP1810G	Single-Door Sub-Panel (Galvanized)			•	•								
SCE-SP1812G	Two-Door Sub-Panel (Galvanized)					•	•						
SCE-SP2006G	Single-Door Sub-Panel (Galvanized)											•	•
SCE-SP2008G	Single-Door Sub-Panel (Galvanized)							•	•				
SCE-SP2010G	Single-Door Sub-Panel (Galvanized)									•	•		
SCE-SP2012G	Two-Door Sub-Panel (Galvanized)											•	•
SCE-FP18G	Filler Plates (Galvanized)	•	•	•	•	•	•						
SCE-FP20G	Filler Plates (Galvanized)							•	•	•	•	•	•
SCE-SPMP05	Sub-Panel Mounting Strap	•	•	•	•	•	•	•	•	•	•	•	•
SCE-SPMP06	Sub-Panel Mounting Strap		•	•	•	•	•	•	•	•	•	•	•
SCE-FMA	Floor Mounting Angles	•	•	•	•	•	•	•	•	•	•	•	•
SCE-IMSBK	IMS Bolt Pack	•	•	•	•	•	•	•	•	•	•	•	•
SCE-DF1806	Dead Front/Swing Panel					•	•						
SCE-DF1808	Dead Front/Swing Panel	•	•										
SCE-DF1810	Dead Front/Swing Panel			•	•								
SCE-DF2006	Dead Front/Swing Panel											•	•
SCE-DF2008	Dead Front/Swing Panel							•	•				
SCE-DF2010	Dead Front/Swing Panel									•	•		
SCE-URA18	U - Shape Rack Angles	•	•	•	•	•	•						
SCE-URA20	U - Shape Rack Angles							•	•	•	•	•	•
SCE-LRA18	L - Shape Rack Angles	•	•	•	•	•	•						
SCE-LRA20	L - Shape Rack Angles							•	•	•	•	•	•
SCE-SDMI	IMS Slave Door Mechanical Interlock Kit	•	•	•	•	•	•	•	•	•	•	•	•
SCE-MDMI	IMS Main Single-Door Interlock Kit	•	•	•	•	•	•	•	•	•	•	•	•
SCE-VMG18	Vertical Mounting Grid	•	•	•	•	•	•						
SCE-VMG20	Vertical Mounting Grid							•	•	•	•	•	•
SCE-TEMG	Top, End Mounting Grid	•	•	•	•	•	•	•	•	•	•	•	•
SCE-EMG	End Mounting Grid	•	•	•	•	•	•	•	•	•	•	•	•
SCE-FMG06	Filler Mounting Grid											•	•
SCE-FMG08	Filler Mounting Grid	•	•					•	•				
SCE-FMG10	Filler Mounting Grid			•	•					•	•		
SCE-FMG	Center Filler Mounting Grid					•	•					•	•
SCE-20POS	Pullout Shelf		•	•	•	•	•	•	•	•	•	•	•
SCE-22VEPOS	Vented Pullout Shelf		•	•	•	•	•	•	•	•	•	•	•
SCE-20STS	Stationary Shelf		•	•	•	•	•	•	•	•	•	•	•
SCE-20VESTS	Vented Stationary Shelf		•	•	•	•	•	•	•	•	•	•	•

1 Operator System Enclosures
 2 Wall-Mount Enclosures
 3 Free-Standing & Floor-Mounted Enclosures
 4 Modular Enclosures
 5 Operator System Enclosures (Stainless Steel)
 6 Wall-Mount Enclosures (Stainless Steel)
 7 Free-Standing & Floor-Mounted Enclosures (Stainless Steel)
 8 Non-Metallic Enclosures
 9 Accessories
 10 Technical Information
 11 Index

IMS TWO-DOOR ENCLOSURES WITH SLAVE DOOR DISCONNECT

PART NUMBER	DESCRIPTION								
		SCE-TD181605LG	SCE-TD181606LG	SCE-TD181805LG	SCE-TD181806LG	SCE-TD201605LG	SCE-TD201606LG	SCE-TD201805LG	SCE-TD201806LG
SCE-BP1805LG	Barrier Plate	.		.					
SCE-BP1806LG	Barrier Plate		.		.				
SCE-BP2005LG	Barrier Plate					.		.	
SCE-BP2006LG	Barrier Plate						.		.
SCE-EP1805LG	End Plate	.		.					
SCE-EP1806LG	End Plate		.		.				
SCE-EP2005LG	End Plate					.		.	
SCE-EP2006LG	End Plate						.		.
SCE-GP16	IMS Gland Plate
SCE-SGP16	IMS Sliding Gland Plate
SCE-PO11605	Two-Door Plinth Base	.				.			
SCE-PO11606	Two-Door Plinth Base		.				.		
SCE-PO11805	Two-Door Plinth Base			.				.	
SCE-PO11806	Two-Door Plinth Base				.				.
SCE-SP1808G	Single-Door Sub-Panel (Galvanized)	.	.						
SCE-SP1809G	Single-Door Sub-Panel (Galvanized)			.	.				
SCE-SP2008G	Single-Door Sub-Panel (Galvanized)					.	.		
SCE-SP2009G	Single-Door Sub-Panel (Galvanized)							.	.
SCE-SP1816G	Two-Door Sub-Panel (Galvanized)	.	.						
SCE-SP1818G	Two-Door Sub-Panel (Galvanized)			.	.				
SCE-SP2016G	Two-Door Sub-Panel (Galvanized)					.	.		
SCE-SP2018G	Two-Door Sub-Panel (Galvanized)							.	.
SCE-FP18G	Filler Plates (Galvanized)				
SCE-FP20G	Filler Plates (Galvanized)				
SCE-SPMP05	Sub-Panel Mounting Strap	
SCE-SPMP06	Sub-Panel Mounting Strap	
SCE-FMA	Floor Mounting Angles
SCE-IMSBK	IMS Bolt Pack
SCE-DF1808	Dead Front/Swing Panel	.	.						
SCE-DF1809	Dead Front/Swing Panel			.	.				
SCE-DF2008	Dead Front/Swing Panel					.	.		
SCE-DF2009	Dead Front/Swing Panel							.	.
SCE-URA18	U - Shape Rack Angles				
SCE-URA20	U - Shape Rack Angles				
SCE-LRA18	L - Shape Rack Angles				
SCE-LRA20	L - Shape Rack Angles				
SCE-MDMI	IMS Main Single-Door Interlock Kit
SCE-MDMI2	IMS Main Two-Door Interlock Kit
SCE-VMG18	Vertical Mounting Grid				
SCE-VMG20	Vertical Mounting Grid				
SCE-TEMG	Top, End Mounting Grid
SCE-EMG	End Mounting Grid
SCE-FMG08	Filler Mounting Grid		
SCE-FMG09	Filler Mounting Grid		
SCE-FMG	Center Filler Mounting Grid
SCE-20POS	Pullout Shelf	
SCE-22VEPOS	Vented Pullout Shelf	
SCE-20STS	Stationary Shelf	
SCE-20VESTS	Vented Stationary Shelf	

- 1 Operator System Enclosures
- 2 Wall-Mount Enclosures
- 3 Free-Standing & Floor-Mounted Enclosures
- 4 Modular Enclosures
- 5 Operator System Enclosures (Stainless Steel)
- 6 Wall-Mount Enclosures (Stainless Steel)
- 7 Free-Standing & Floor-Mounted Enclosures (Stainless Steel)
- 8 Non-Metallic Enclosures
- 9 Accessories
- 10 Technical Information
- 11 Index

IMS (Industrial Modular System) ACCESSORIES

End Plate

Designed to provide a sealed cover for the open end of IMS enclosures. Provides additional wiring space along the side of the enclosure. Gasket and mounting hardware is included. Made of heavy gauge steel and powder coated RAL 7035 Gray.

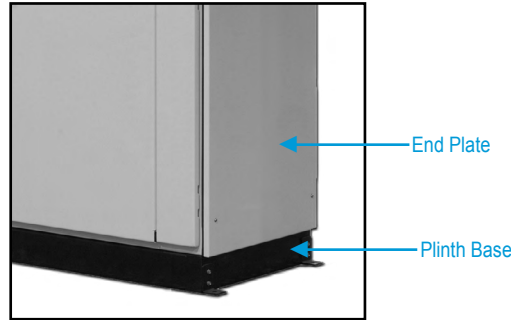
Plinth Base

Designed to install under an enclosure to provide space for cables to enter from below and raise the enclosure up off the floor. Plinth bases are stackable to acquire desired height off the floor. Black textured powder coat finish.

Barrier Plate

Designed to serve as a barrier between two IMS enclosure sections. Mounting holes. Gasket is included. Made of heavy gauge steel and powder coated RAL 7035 Gray. Bolt Pack SCE-IMSBK sold separately.

Catalog No.	Height (A)	Used With Enclosure Ref. mm Height	Width (B)	Used With Enclosure Ref. mm Depth	Product Code	List Price
SCE-EP1805LG	70.62	1800	17.75	500	P5	225.83
SCE-EP1806LG	70.62	1800	21.75	600	P5	249.45
SCE-EP2005LG	78.48	2000	17.75	500	P5	238.94
SCE-EP2006LG	78.48	2000	21.75	600	P5	265.23



Single-Door Plinth Base

Catalog No.	Red. mm Height (A)	Red. mm Height (A)	Width (B)	Used With Enclosure Ref. mm Width	Depth (C)	Used With Enclosure Ref. mm Depth	Product Code	List Price
SCE-P010605	3.94	100	23.62	600	18.00	500	P5	166.64
SCE-P010606	3.94	100	23.62	600	22.00	600	P5	174.75
SCE-P010805	3.94	100	31.50	800	18.00	500	P5	182.67
SCE-P010806	3.94	100	31.50	800	22.00	600	P5	190.78
SCE-P011005	3.94	100	39.37	1000	18.00	500	P5	198.93
SCE-P011006	3.94	100	39.37	1000	22.00	600	P5	206.70

Two-Door Plinth Base

Catalog No.	Ref. mm Height (A)	Ref. mm Height (A)	Width (B)	Used With Enclosure Ref. mm Width	Depth (C)	Used With Enclosure Ref. mm Depth	Product Code	List Price
SCE-P011205	3.94	100	47.24	1200	18.00	500	P5	235.05
SCE-P011206	3.94	100	47.24	1200	22.00	600	P5	243.45
SCE-P011605	3.94	100	62.99	1600	18.00	500	P5	267.15
SCE-P011606	3.94	100	62.99	1600	22.00	600	P5	275.26
SCE-P011805	3.94	100	70.87	1800	18.00	500	P5	298.92
SCE-P011806	3.94	100	70.87	1800	22.00	600	P5	307.03

Catalog No.	Height (A)	Used With Enclosure Ref. mm Height	Width (B)	Used With Enclosure Ref. mm Depth	Product Code	List Price
SCE-BP1805LG	70.37	1800	17.50	500	P5	174.00
SCE-BP1806LG	70.37	1800	21.50	600	P5	180.00
SCE-BP2005LG	78.24	2000	17.50	500	P5	186.00
SCE-BP2006LG	78.24	2000	21.50	600	P5	200.00

Phone (989) 799-6871
Fax (989) 799-4524



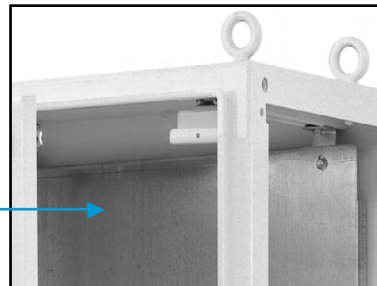
Single-Door Galvanized Sub-Panel

Catalog No.	Height (A)	Ref. mm Height (A)	Used With Enclosure Ref. mm Height	Width (B)	Ref. mm Width (B)	Used With Enclosure Ref. mm Width	Product Code	List Price
SCE-SP1806G	66.44	1687.50	1800	19.69	500	600 & 1200	P5	252.06
SCE-SP1808G	66.44	1687.50	1800	27.56	700	800 & 1600	P5	311.26
SCE-SP1809G	66.44	1687.50	1800	31.50	800	900 & 1800	P5	340.09
SCE-SP1810G	66.44	1687.50	1800	35.43	900	1000	P5	368.92
SCE-SP2006G	74.31	1887.50	2000	19.69	500	600 & 1200	P5	273.49
SCE-SP2008G	74.31	1887.50	2000	27.56	700	800 & 1600	P5	337.77
SCE-SP2009G	74.31	1887.50	2000	31.50	800	900 & 1800	P5	370.01
SCE-SP2010G	74.31	1887.50	2000	35.43	900	1000	P5	402.22

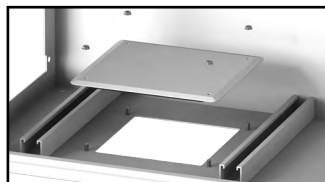
Two-Door Galvanized Sub-Panel

Catalog No.	Height (A)	Ref. mm Height (A)	Used With Enclosure Ref. mm Height	Width (B)	Ref. mm Width (B)	2 Piece Sub-panel	Used With Enclosure Ref. mm Width	Product Code	List Price
SCE-SP1812G	66.44	1687.50	1800	43.31	1100		1200	P5	478.73
SCE-SP1816G	66.44	1687.50	1800	59.06	1500	*	1600	P5	594.01
SCE-SP1818G	66.44	1687.50	1800	66.93	1700	*	1800	P5	651.70
SCE-SP2012G	74.31	1887.50	2000	43.31	1100		1200	P5	520.20
SCE-SP2016G	74.31	1887.50	2000	59.06	1500	*	1600	P5	648.92
SCE-SP2018G	74.31	1887.50	2000	66.93	1700	*	1800	P5	713.23

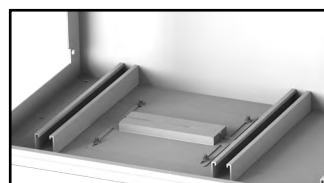
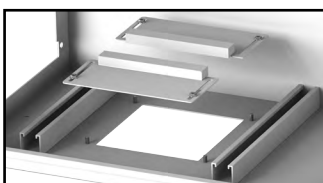
Galvanized Sub-Panel



Catalog No.	Height (A)	Ref. mm Height (A)	Width (B)	Ref. mm Width (B)	Used With Enclosure Ref. mm Width	Product Code	List Price
SCE-GP08	10.00	254	11.00	279	600, 1200	P2	75.04
SCE-GP16	10.00	254	19.00	483	800, 1000, 1600, 1800	P2	82.33



Catalog No.	Height (A)	Ref. mm Height (A)	Width (B)	Ref. mm Width (B)	Used With Enclosure Ref. mm Width	Product Code	List Price
SCE-SGP08	10.00	254	11.00	279	600, 1200	P2	90.05
SCE-SGP16	10.00	254	19.00	483	800, 1000, 1600, 1800	P2	97.33



IMS (Industrial Modular System) ACCESSORIES

Galvanized Sub-Panel

Sub-panels are constructed from galvanized steel for direct bonding of electrical components.

* 2 piece sub-panels are manufactured as two separate pieces and designed to be bolted together. Bolt pack included.

Gland Plates

Gland plates designed for use in our IMS enclosures to allow for easy removal of the plate for installation of cable entry cutouts into enclosure. Includes seamless oil and water resistant gasket to maintain the environmental rating of the enclosure. Powder coated RAL 7035.

Sliding Gland Plate

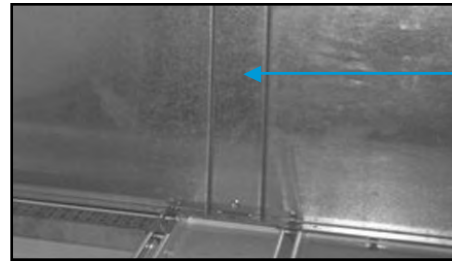
Sliding gland plates are designed to allow for easy cable entry into enclosure. Allows 6 inch of adjustable opening for cable entry and a 1 inch foam lined edge maintains a tight seal. Powder coated RAL 7035.

IMS (Industrial Modular System) ACCESSORIES

Galvanized Filler Plates

Designed to provide additional mounting surface between sub-panels or sections of a modular enclosure. Slotted mounting holes allow flexible installation.

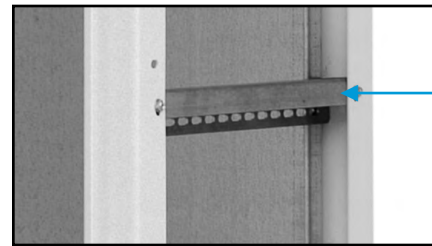
Catalog No.	Height (A)	Ref. mm Height (A)	Width (B)	Ref. mm Width (B)	Used With Enclosure Ref. mm Height	Product Code	List Price
SCE-FP18G	66.44	1687.50	3.88	98.50	1800	P5	97.10
SCE-FP20G	74.31	1887.50	3.88	98.50	2000	P5	104.66



Sub-Panel Mounting Strap

Designed to provide additional mounting to the center of sub-panels on the right and left sides of a modular enclosure. Made of galvanized material.

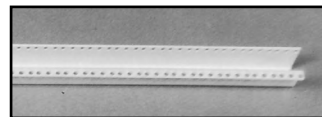
Catalog No.	Length (C)	Ref. mm Length (C)	Used With Enclosure Ref. mm Depth	Parts Per Kit	Product Code	List Price
SCE-SPMP05	16.75	425.45	500	2	P5	28.74
SCE-SPMP06	20.75	527.05	600	2	P5	33.54



U-Shape Rack Angles

Designed for use in IMS enclosure to provide provisions for the installation of rack mounted equipment and allow position at the desired rack mounting width and depth. Made of galvanized material and powder coated white.

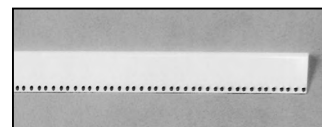
Catalog No.	Height (A)	Ref. mm Height (A)	Used With Enclosure Ref. mm Height	Quantity Per Kit	Product Code	List Price
SCE-URA18	66.94	1689	1800	2	P5	110.32
SCE-URA20	74.94	1867	2000	2	P5	116.96



L-Shape Rack Angles

Designed for use in IMS enclosure to provide provisions for the installation of rack mounted equipment and allow position at the desired rack mounting width and depth. Made of galvanized material and powder coated white.

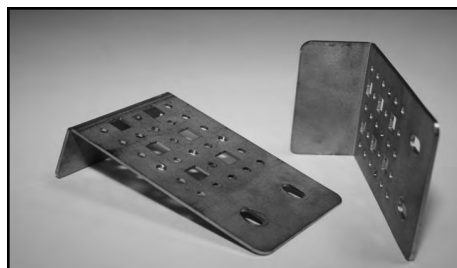
Catalog No.	Height (A)	Ref. mm Height (A)	Used With Enclosure Ref. mm Height	Quantity Per Kit	Product Code	List Price
SCE-LRA18	66.50	1689	1800	2	P5	110.32
SCE-LRA20	75.00	1867	2000	2	P5	116.96



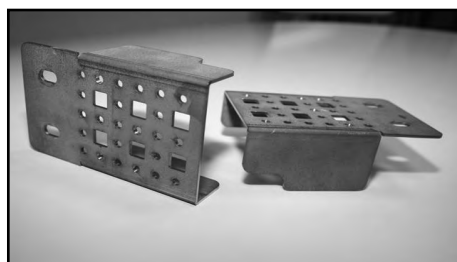
Phone (989) 799-6871
Fax (989) 799-4524



Catalog No.	Parts Per Kit	Product Code	List Price
SCE-TEMG	2	P5	24.38

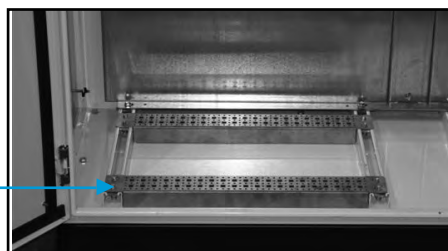


Catalog No.	Parts Per Kit	Product Code	List Price
SCE-EMG	2	P5	26.74



Catalog No.	Length (C)	Ref. mm Length (C)	Used With Enclosure Ref. mm Width	Quantity Per Kit	Product Code	List Price
SCE-FMG05	12.80	325	500	2	P5	28.74
SCE-FMG06	16.73	425	600 & 1200	2	P5	33.54
SCE-FMG08	24.61	625	800 & 1600	2	P5	42.86
SCE-FMG09	28.54	725	900 & 1800	2	P5	47.39
SCE-FMG10	32.47	825	1000	2	P5	51.92
SCE-FMG	10.51	267	1200, 1600 & 1800	2	P5	26.21

Filler Mounting Grid



IMS (Industrial Modular System) ACCESSORIES

Top End Mounting Grid

Designed to provide a flexible extension to the mounting system. Top-end grid to be installed in the top of the enclosure between the mounting channel and the side of the enclosure. Made of galvanized material.

End Mounting Grid

Designed to provide a flexible extension to the mounting system. End grid to be attached to the mounting channel in the top or bottom of the enclosure. Made of galvanized material.

Filler Mounting Grid

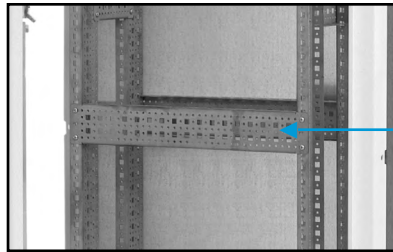
Designed to provide a flexible extension to the internal mounting system. Filler grid to be installed between the mounting channels and top or bottom of the modular enclosure. Made of galvanized material.

IMS (Industrial Modular System) ACCESSORIES

Horizontal Mounting Grid

Designed to provide a horizontal extension of the frame holes in the sides of the IMS enclosure. Sold in sets of two with mounting hardware included. Made of galvanized material.

Catalog No.	Width (B)	Ref. mm Width (B)	Quantity Per Kit	Product Code	List Price
SCE-HMG175	6.89	175	2	P5	19.27
SCE-HMG225	8.88	225	2	P5	20.90
SCE-HMG300	11.81	300	2	P5	23.19
SCE-HMG400	15.75	400	2	P5	26.45
SCE-HMG475	18.70	475	2	P5	28.75
SCE-HMG575	22.62	575	2	P5	32.75
SCE-HMG675	26.56	675	2	P5	35.93
SCE-HMG775	30.50	775	2	P5	38.97

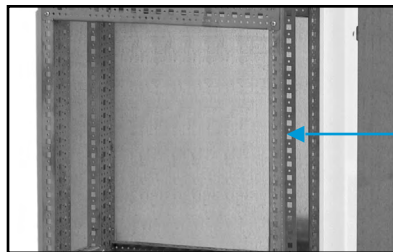


Horizontal Mounting Grid

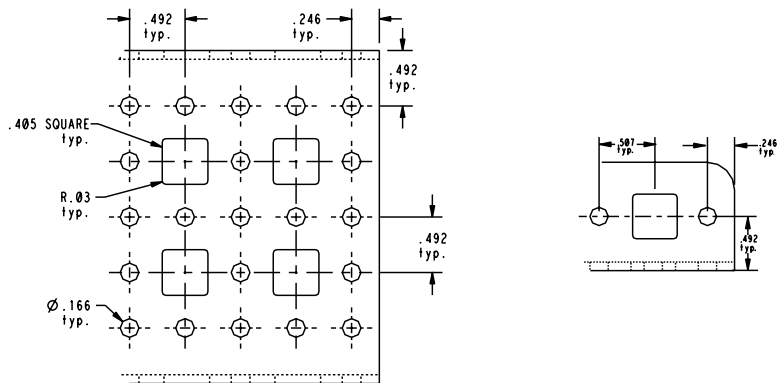
Vertical Mounting Grid

Designed to provide a vertical extension from top to bottom of the IMS enclosure. Sold in sets of two and mounting hardware is included. Made of galvanized material.

Catalog No.	Height (A)	Used With Ref. mm Height (A)	Enclosure Ref. mm Height	Quantity Per Kit	Product Code	List Price
SCE-VMG18	66.93	1687.50	1800	2	P5	81.19
SCE-VMG20	74.80	1887.50	2000	2	P5	87.71



Vertical Mounting Grid



Phone (989) 799-6871
Fax (989) 799-4524

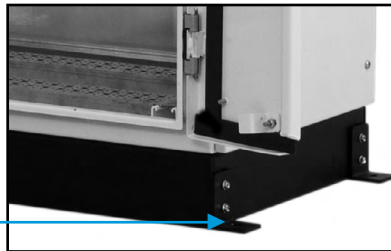


1 Operator System Enclosures
2 Wall-Mount Enclosures
3 Free-Standing & Floor-Mounted Enclosures
4 Modular Enclosures
5 Operator System Enclosures (Stainless Steel)
6 Wall-Mount Enclosures (Stainless Steel)
7 Free-Standing & Floor-Mounted Enclosures (Stainless Steel)
8 Non-Metallic Enclosures
9 Accessories
10 Technical Information
11 Index

Catalog No.	Parts Per Kit	Product Code	List Price
SCE-GMA	4	P5	20.23



Catalog No.	Parts Per Kit	Product Code	List Price
SCE-FMA	4	P5	36.00



Floor Mounting Angle

Catalog No.	Height (A)	Ref. mm Height (A)	Width (B)	Ref. mm Width (B)	Used With Enclosure Ref. mm Height	Used With Enclosure Ref. mm Width	Product Code	List Price
SCE-DF1806	65.88	1675.35	19.38	492.25	1800	600 & 1200	P5	308.83
SCE-DF1808	65.88	1675.35	27.25	692.15	1800	800 & 1600	P5	351.82
SCE-DF1809	65.88	1675.35	31.25	793.75	1800	1800	P5	373.63
SCE-DF1810	65.88	1675.35	35.13	892.30	1800	1000	P5	394.84
SCE-DF2006	73.75	1873.25	19.38	492.25	2000	600 & 1200	P5	322.38
SCE-DF2008	73.75	1873.25	27.25	692.15	2000	800 & 1600	P5	370.37
SCE-DF2009	73.75	1873.25	31.25	793.75	2000	1800	P5	394.69
SCE-DF2010	73.75	1873.25	35.13	892.30	2000	1000	P5	418.36



Dead Front/Swing Panel

IMS (Industrial Modular System) ACCESSORIES

Grid Mounting Angle

Designed to provide flexible mounting of horizontal and vertical mounting grids. Made of galvanized material.

Floor Mounting Angles

Designed for use with IMS enclosures when the enclosure must be secured to the floor. Kit contains four floor mounting angles and mounting hardware. Black textured powder coat finish.

Dead Front/Swing Panel

Designed for installation into IMS enclosures, to be installed in the front of an enclosure and to swing out of the enclosure. Kit consists of heavy gauge brackets, hinges, and mounting hardware. Installed by detaching door hinge from enclosure and installing swing out panel kit to the existing holes and hinge supplied with the enclosure. Made of heavy gauge steel and powder coated white.

IMS (Industrial Modular System) ACCESSORIES

Nut Retainer

Designed to install in the square holes provided in mounting grids.



Channel Nuts

Designed for use in IMS enclosures to allow mounting of additional equipment.

Catalog No.	Size	Quantity Per Kit	Product Code	List Price
SCE-NR1032	10-32	20	P5	25.20
SCE-NR1420	1/4 - 20	20	P5	25.20



Main Single-Door Mechanical Interlock

Interlock kit designed for use on the main door of IMS Single-Door enclosures.

Catalog No.	Product Code	List Price
SCE-MDMI	P5	150.46

Main Two-Door Mechanical Interlock

Interlock kit designed for use on the main door of IMS Two-Door enclosures.

Catalog No.	Product Code	List Price
SCE-MDMI2	P5	81.14

Slave Door Mechanical Interlock

Interlock kit designed for use on the slave door of IMS enclosures.

Catalog No.	Product Code	List Price
SCE-SDMI	P5	75.23

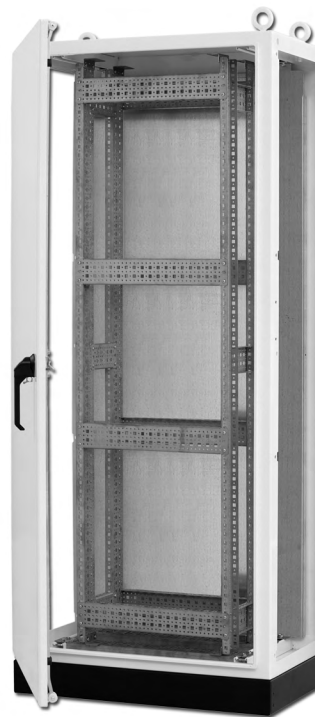
IMS Bolt Pack

Designed to be used as an additional gasket or to replace gasket kits when changing modular enclosure configurations. Includes oil resistant gasket and zinc coated nuts and bolts. Required when bolting one enclosure to another.

Catalog No.	Product Code	List Price
SCE-IMSBK	P5	42.00

Phone (989) 799-6871
Fax (989) 799-4524





Phone (989) 799-6871
Fax (989) 799-4524

Your Enclosure Source®

1 Operator System Enclosures

2 Wall-Mount Enclosures

3 Free-Standing & Floor-Mounted Enclosures

4 Modular Enclosures

5 Operator System Enclosures (Stainless Steel)

6 Wall-Mount Enclosures (Stainless Steel)

7 Free-Standing & Floor-Mounted Enclosures (Stainless Steel)

8 Non-Metallic Enclosures

9 Accessories

10 Technical Information

11 Index

NOTES

- 11 Index
- 10 Technical Information
- 9 Accessories
- 8 Non-Metallic Enclosures
- 7 Free-Standing & Floor-Mounted Enclosures (Stainless Steel)
- 6 Wall-Mount Enclosures (Stainless Steel)
- 5 Operator System Enclosures (Stainless Steel)
- 4 Modular Enclosures
- 3 Free-Standing & Floor-Mounted Enclosures
- 2 Wall-Mount Enclosures
- 1 Operator System Enclosures

Phone (989) 799-6871
Fax (989) 799-4524



NOTES

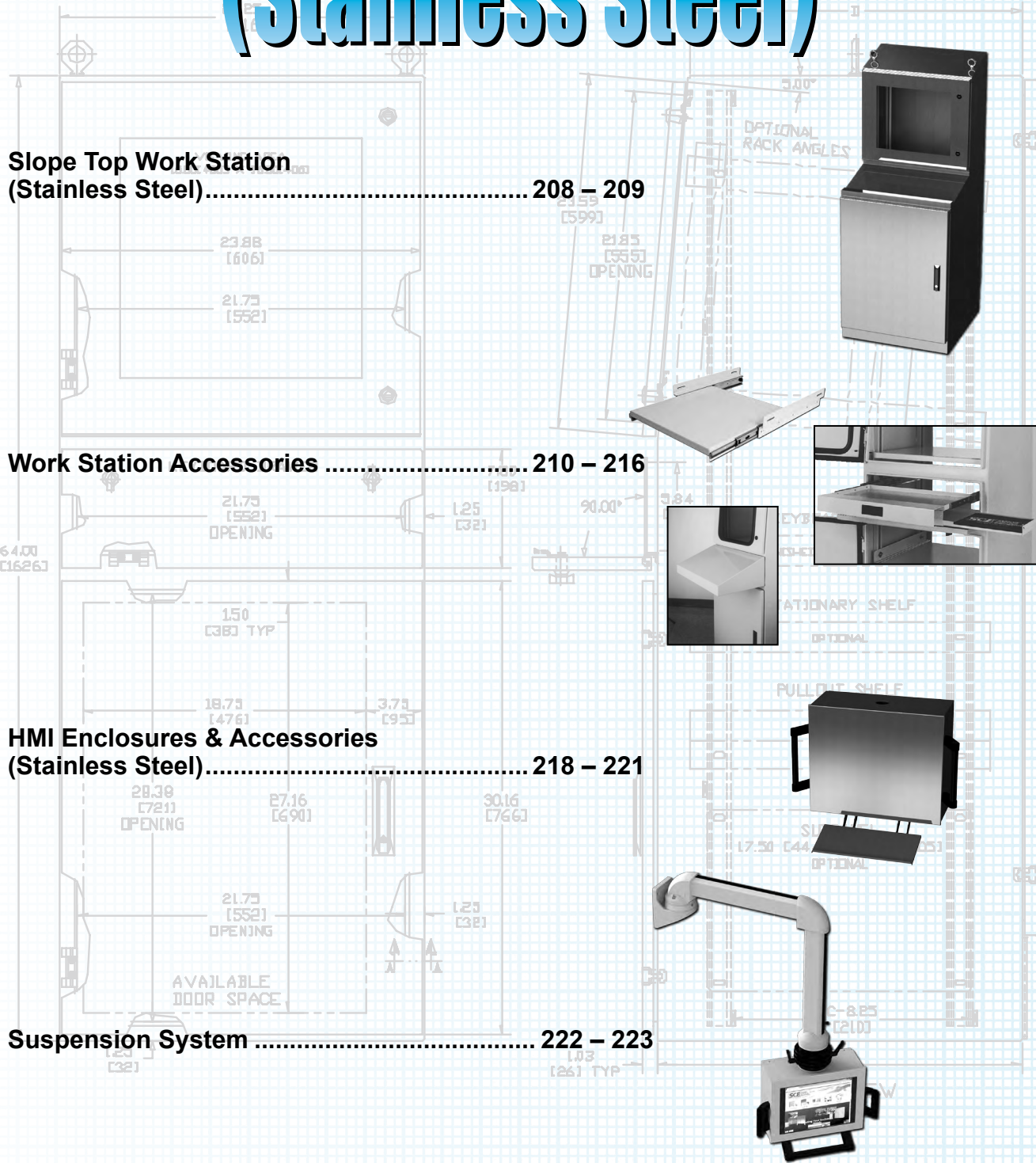


Your Enclosure Source®

Phone (989) 799-6871
Fax (989) 799-4524

- 1 Operator System Enclosures
- 2 Wall-Mount Enclosures
- 3 Free-Standing & Floor-Mounted Enclosures
- 4 Modular Enclosures
- 5 Operator System Enclosures (Stainless Steel)
- 6 Wall-Mount Enclosures (Stainless Steel)
- 7 Free-Standing & Floor-Mounted Enclosures (Stainless Steel)
- 8 Non-Metallic Enclosures
- 9 Accessories
- 10 Technical Information
- 11 Index

Operator System Enclosures (Stainless Steel)



**Slope Top Work Station
(Stainless Steel)..... 208 – 209**

Work Station Accessories 210 – 216

**HMI Enclosures & Accessories
(Stainless Steel)..... 218 – 221**

Suspension System 222 – 223

- 1 Operator System Enclosures
- 2 Wall-Mount Enclosures
- 3 Free-Standing & Floor-Mounted Enclosures
- 4 Modular Enclosures
- 5 Operator System Enclosures (Stainless Steel)
- 6 Wall-Mount Enclosures (Stainless Steel)
- 7 Free-Standing & Floor-Mounted Enclosures (Stainless Steel)
- 8 Non-Metallic Enclosures
- 9 Accessories
- 10 Technical Information
- 11 Index



Phone (989) 799-6871
Fax (989) 799-4524



Stainless Steel ELJ Consolets & Accessories

Application -

Designed to house electrical and electronic controls, instruments, and components. Provides a degree of protection from dust, dirt, oil and water. Consolets can be mounted on either of two sides to give a control surface inclined 30° or 60°. Can be mounted on desks, machines, or pedestals.

Construction -

- 0.063" stainless steel Type 304.
- Seams continuously welded and ground smooth.
- Flange trough collar around all sides of door opening.
- Removable hinges.
- Oil-resistant gasket.
- Standoffs provided for mounting optional sub-panels.
- Cable door stops included on SCE-12C**, SCE-16C** & SCE-20C**
- Black mini quarter turn latches.
- Latches are opened or closed with a screwdriver.
- Ground stud on door and body.
- Mounting holes in back.

Finish -

#4 brushed finish on all exterior surfaces. Optional sub-panels powder coated white.

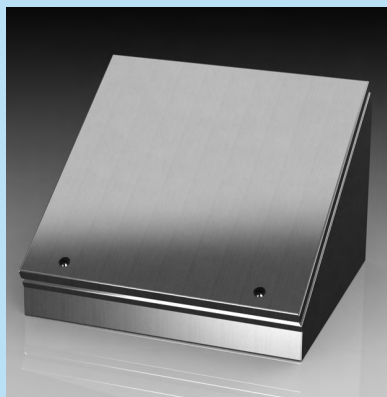
Options -

Can be special ordered in Type 316/316L stainless steel.

IS6 - Industry Standards -

NEMA Type 3R, 4, 4X, 12 & Type 13
UL Listed Type 3R, 4, 4X & 12
CSA Type 3R, 4, 4X & 12
IEC 60529 IP66

***Special Instructions apply for IS3, IS4 and IS6 to maintain the environmental rating of Type 3R for these parts. See the Special Instructions on the Industry Standards page in the Technical Information Section.



STAINLESS STEEL ELJ CONSOLETS

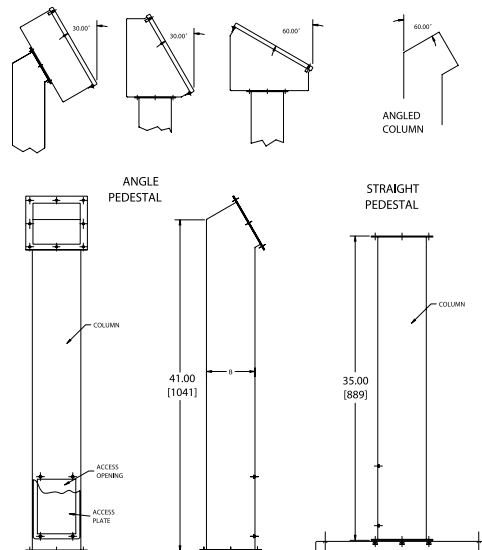
ENCLOSURE PRODUCT CODE S1						SUB-PANEL (P3)			
Catalog No.	Height (A)	Width (B)	Depth (C)	Depth (D)	List Price	Catalog No.	Panel Height (E)	Panel Width (F)	List Price
SCE-8C8ELJSS	8.00	8.00	7.09	7.44	586.80	SCE-8P8C	6.00	6.75	5.27
SCE-8C12ELJSS	8.00	12.00	7.09	7.44	627.16	SCE-8P12C	6.00	10.75	8.39
SCE-8C16ELJSS	8.00	16.00	7.09	7.44	708.62	SCE-8P16C	6.00	14.75	11.50
SCE-8C20ELJSS	8.00	20.00	7.09	7.44	787.24	SCE-8P20C	6.00	18.75	14.63
SCE-12C12ELJSS	12.00	12.00	9.09	10.91	771.99	SCE-12P12C	9.50	10.75	13.28
SCE-12C16ELJSS	12.00	16.00	9.09	10.91	796.98	SCE-12P16C	9.50	14.75	18.22
SCE-12C20ELJSS	12.00	20.00	9.09	10.91	817.75	SCE-12P20C	9.50	18.75	23.16
SCE-12C24ELJSS	12.00	24.00	9.09	10.91	888.79	SCE-12P24C	9.50	22.75	28.09
SCE-16C16ELJSS	16.00	16.00	11.09	14.38	817.75	SCE-16P14	15.00	13.00	19.95
SCE-16C20ELJSS	16.00	20.00	11.09	14.38	888.79	SCE-16P20C	12.88	18.75	31.40
SCE-16C24ELJSS	16.00	24.00	11.09	14.38	957.18	SCE-16P24C	12.88	22.75	38.10
SCE-20C20ELJSS	20.00	20.00	13.09	17.84	957.18	SCE-20P20C	16.38	18.75	39.00
SCE-20C24ELJSS	20.00	24.00	13.09	17.84	1,100.25	SCE-20P24C	16.38	22.75	42.30
SCE-20C30ELJSS	20.00	30.00	13.09	17.84	1,320.04	SCE-20P30C	16.38	28.75	47.32

CABLE DOOR STOP

Catalog No.	Description	For use on	Product Code	List Price
SCE-CBL15	15 Inch 135° Door Stop	SCE-12C** & SCE-16C*	P2	13.75
SCE-CBL20	20 Inch 135° Door Stop	SCE-20C**	P2	14.25

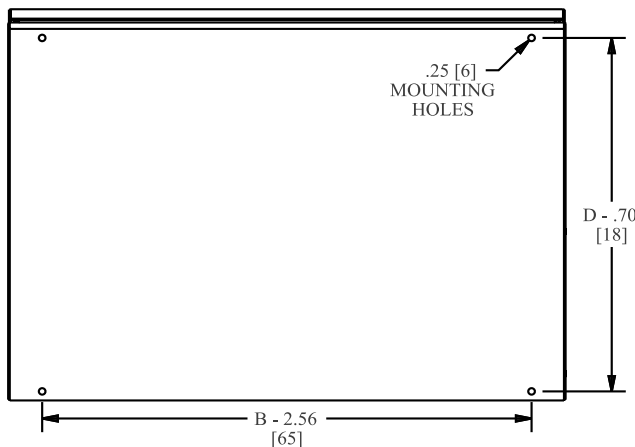
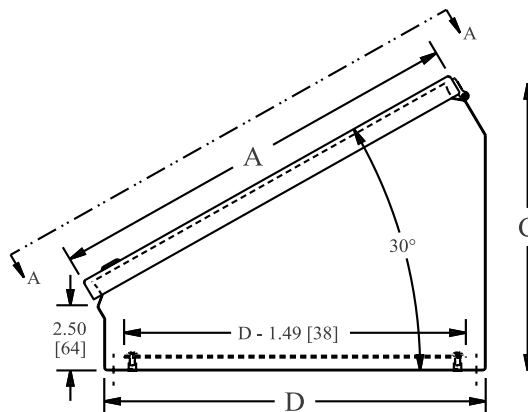
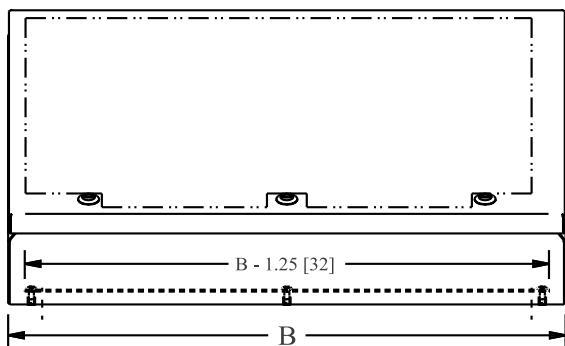
ACCESSORY COLUMNS AND BASES

Catalog No.	Description	Size	Product Code	List Price
SCE-18SBASESS	Stainless Steel Pedestal Base	18.00 x 18.00 x 1.00	P2	424.63
SCE-24SBASESS	Stainless Steel Pedestal Base	24.00 x 24.00 x 1.00	P2	451.45
SCE-44CCOLSS	Stainless Steel Straight Column	4.00 x 4.00	P2	524.13
SCE-44PBCOLSS	Stainless Steel Angled Column	4.00 x 4.00	P2	624.00
SCE-66CCOLSS	Stainless Steel Straight Column	6.00 x 6.00	P2	554.52
SCE-66PBCOLSS	Stainless Steel Angled Column	6.00 x 6.00	P2	654.00



1 Operator System Enclosures
 2 Wall-Mount Enclosures
 3 Free-Standing & Floor-Mounted Enclosures
 4 Modular Enclosures
 5 Operator System Enclosures (Stainless Steel)
 6 Wall-Mount Enclosures (Stainless Steel)
 7 Free-Standing & Floor-Mounted Enclosures (Stainless Steel)
 8 Non-Metallic Enclosures
 9 Accessories
 10 Technical Information
 11 Index

STAINLESS STEEL ELJ CONSOLETS TECHNICAL DATA



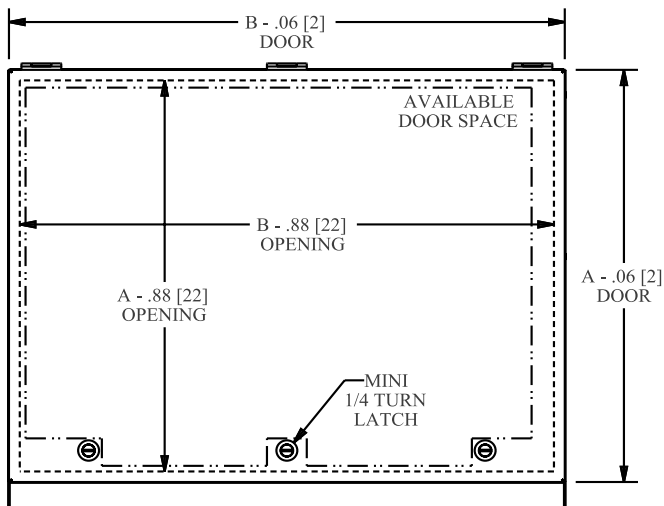
NOTES:
Provisions for cable stops on door and body when "A" >= 12.00 [305]

LATCH NOTES:
One latch centered on door horizontally if "B" <= 14.00 [356]

Two latches located 3.00 [76] from right & left side of door if "B" > 14.00 [356]

Omit center latch if "B" > 14.00 [356] and <= 20.00 [508]

SUB-PANEL NOTES:
Provisions only for sub-panel in bottom.



VIEW A-A



Phone (989) 799-6871
Fax (989) 799-4524

Stainless Steel Desk Consoles

Application -

Intended for indoor use to provide a degree of protection to personnel against access to hazardous parts, also to provide a degree of protection for the equipment inside the enclosure against ingress of solid foreign objects and falling dirt, to provide a degree of protection with respect to harmful effects on the equipment due to the ingress of water, splashing water. Designed for use in a standing or sitting position with single and dual access and top that opens for easy accessibility. For installation information, consult our Installation Manual at www.saginawcontrol.com.

Construction -

- 0.075" stainless steel Type 304 & 316/316L.
- Seams continuously welded and ground smooth.
- 25 Degree Sloped top.
- Door props on sloped door to hold in the open position.
- Oil and water resistant gasket.
- Flange trough collar around all sides of door opening.
- Concealed hinges.
- Removable doors.
- Removable print pocket.
- Ground studs on door and body.
- Rubber pads with provision for leveling pads on bottom of enclosure.
- Black quarter turn latches on top door.
- Keylocking black 3-point flush swing handle in front door of single access, front and rear doors on dual access.
- Mounting studs welded on interior back for mounting optional sub-panels on single access console.
- Mounting channels welded on sides of interior body for mounting optional sub-panels on dual access console.
- Mounting hardware included for (1) optional sub-panel.

Finish -

#4 brushed finish on all exterior surfaces. Optional sub-panels powder coated white.

Options -

Optional tamper-resistant inserts or padlocking handles are available.

IS3 - Industry Standards -

NEMA Type 3R, 12 & Type 13
UL Listed Type 3R & 12
CSA Type 3R & 12
IEC 60529 IP55

IS6 - Industry Standards -

NEMA Type 3R, 4, 4X, 12 & Type 13
UL Listed Type 3R, 4, 4X & 12
CSA Type 3R, 4, 4X & 12
IEC 60529 IP66

***Special Instructions apply for IS3, IS4 and IS6 to maintain the environmental rating of Type 3R for these parts. See the Special Instructions on the Industry Standards page in the Technical Information Section.

304 STAINLESS STEEL DESK CONSOLES

ENCLOSURE PRODUCT CODE S10						SUB-PANEL (P3)			
Catalog No.	Height (A)	Width (B)	Depth (C)	Industry Standard	List Price	Catalog No.	Panel Height (D)	Panel Width (E)	List Price
Single Access Single-Door									
SCE-402516SDCSS	40.25	25.25	15.50	IS6	3,749.87	SCE-30P24	27.00	21.00	63.29
SCE-403716SDCSS	40.25	37.25	15.50	IS6	4,262.27	SCE-36P30	33.00	27.00	101.27
SCE-462519SDCSS	46.25	25.25	18.50	IS6	5,166.34	SCE-36P24	33.00	21.00	75.96
SCE-463719SDCSS	46.25	37.25	18.50	IS3	5,734.38	SCE-36P36	33.00	33.00	118.99
Dual Access Single-Door									
SCE-462519DCSS	46.25	25.25	18.50	IS6	5,503.92	SCE-36P24	33.00	21.00	75.96
SCE-463719DCSS	46.25	37.25	18.50	IS3	6,056.70	SCE-36P36	33.00	33.00	118.99
Single Access Overlapping Two-Door									
SCE-464919SDCSS	46.25	49.25	18.50	IS3	6,632.48	SCE-48P36	45.00	33.00	154.46
SCE-466019SDCSS	46.25	59.88	18.50	IS3	8,586.44	SCE-60PC36	55.63	33.00	181.41
Dual Access Overlapping Two-Door									
SCE-464919DCSS	46.25	49.25	18.50	IS3	6,975.12	SCE-48P36	45.00	33.00	154.46
SCE-466019DCSS	46.25	59.88	18.50	IS3	9,271.50	SCE-60PC36	55.63	33.00	181.41
Dual Access Two-Door With Center Channel									
SCE-464919DCCSS	46.25	49.25	18.50	IS6	7,791.16	SCE-48P36	45.00	33.00	154.46
SCE-466019DCCSS	46.25	59.88	18.50	IS6	10,009.00	SCE-60PC36	55.63	33.00	181.41

316 STAINLESS STEEL DESK CONSOLES

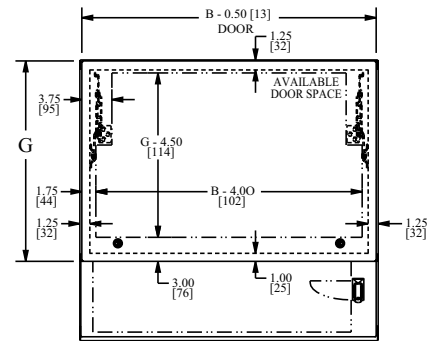
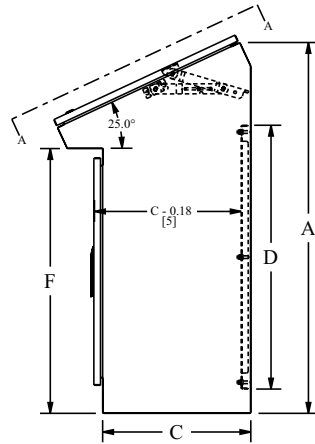
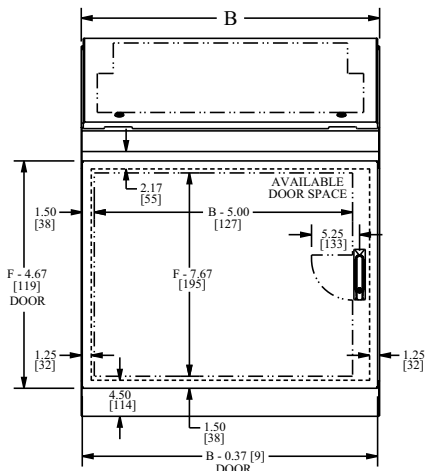
ENCLOSURE PRODUCT CODE S7						SUB-PANEL (P3)			
Catalog No.	Height (A)	Width (B)	Depth (C)	Industry Standard	List Price	Catalog No.	Panel Height (D)	Panel Width (E)	List Price
Single Access Single-Door									
SCE-402516SDCSS6	40.25	25.25	15.50	IS6	3,899.86	SCE-30P24	27.00	21.00	63.29
SCE-403716SDCSS6	40.25	37.25	15.50	IS3	4,432.76	SCE-36P30	33.00	27.00	101.27
SCE-462519SDCSS6	46.25	25.25	18.50	IS6	5,372.98	SCE-36P24	33.00	21.00	75.96
SCE-463719SDCSS6	46.25	37.25	18.50	IS3	5,963.76	SCE-36P36	33.00	33.00	118.99
Dual Access Single-Door									
SCE-462519DCSS6	46.25	25.25	18.50	IS6	5,724.08	SCE-36P24	33.00	21.00	75.96
SCE-463719DCSS6	46.25	37.25	18.00	IS3	6,298.97	SCE-36P36	33.00	33.00	118.99
Single Access Overlapping Two-Door									
SCE-464919SDCSS6	46.25	49.25	18.50	IS3	6,897.78	SCE-48P36	45.00	33.00	154.46
SCE-466019SDCSS6	46.25	59.88	18.50	IS3	8,929.90	SCE-60PC36	55.63	33.00	181.41
Dual Access Overlapping Two-Door									
SCE-464919DCSS6	46.25	49.25	18.50	IS3	7,254.13	SCE-48P36	45.00	33.00	154.46
SCE-466019DCSS6	46.25	59.88	18.50	IS3	9,642.36	SCE-60PC36	55.63	33.00	181.41
Dual Access Two-Door With Center Channel									
SCE-464919DCCSS6	46.25	49.25	18.50	IS6	8,102.81	SCE-48P36	45.00	33.00	154.46
SCE-466019DCCSS6	46.25	59.88	18.50	IS6	10,409.36	SCE-60PC36	55.63	33.00	181.41



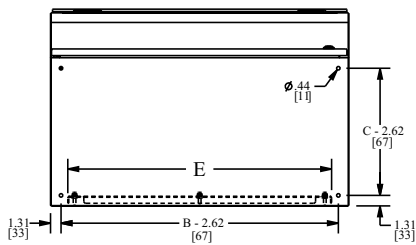
STAINLESS STEEL DESK CONSOLES

TECHNICAL DATA

SINGLE ACCESS SINGLE-DOOR



VIEW A-A



NOTES:

F = 28.46 [723] FOR SCE-402516SDC

F = 28.46 [723] FOR SCE-403716SDC

F = 33.06 [840] FOR SCE-462519SDC

F = 33.06 [840] FOR SCE-463719SDC

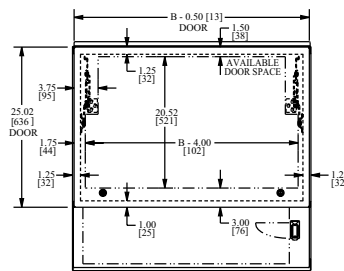
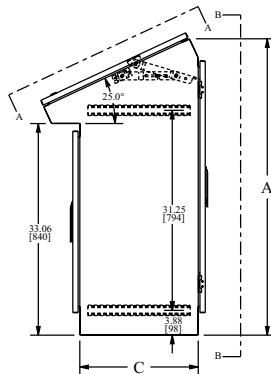
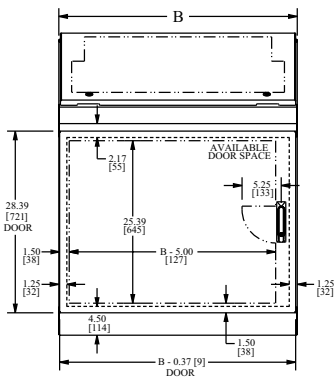
G = 21.71 [551] FOR SCE-402516SDC

G = 21.71 [551] FOR SCE-403716SDC

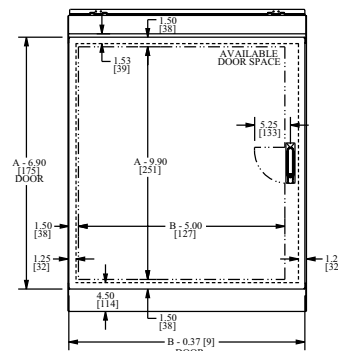
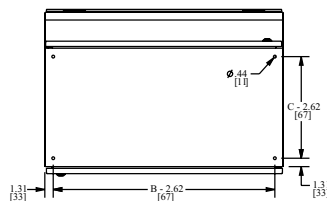
G = 25.02 [636] FOR SCE-462519SDC

G = 25.02 [636] FOR SCE-463719SDC

DUAL ACCESS SINGLE-DOOR

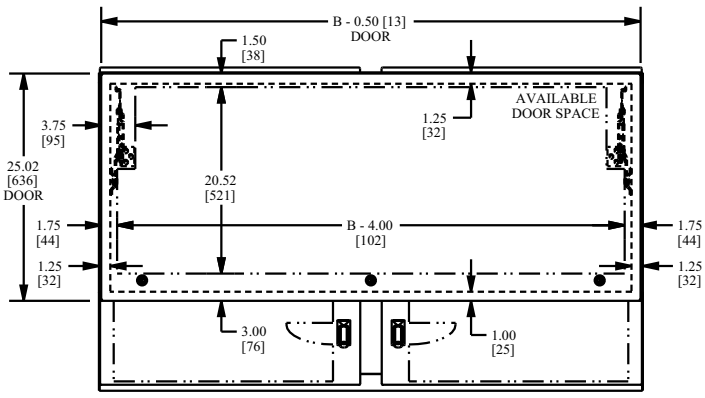
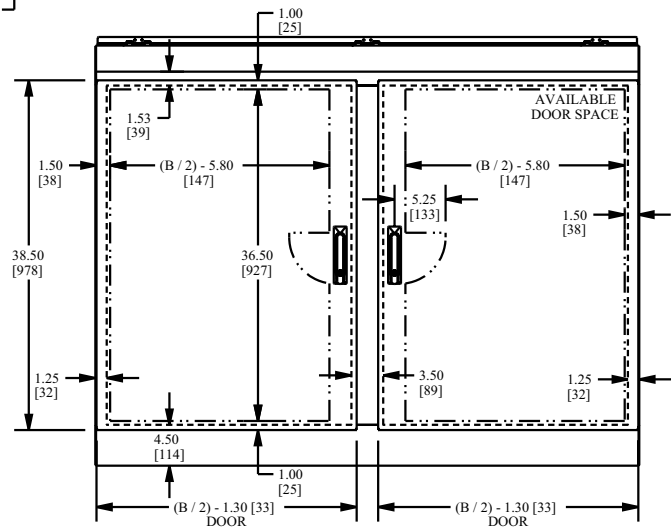
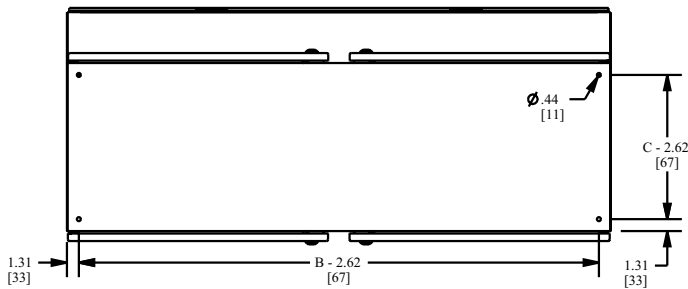
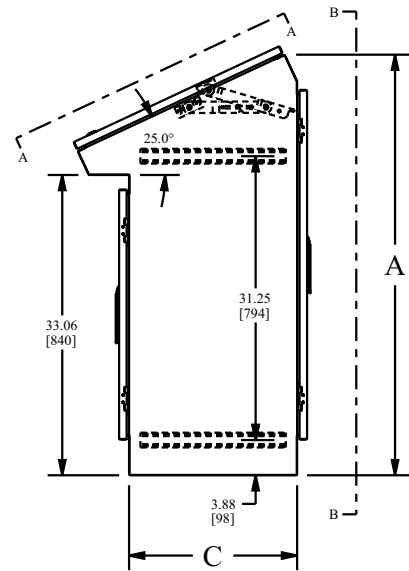
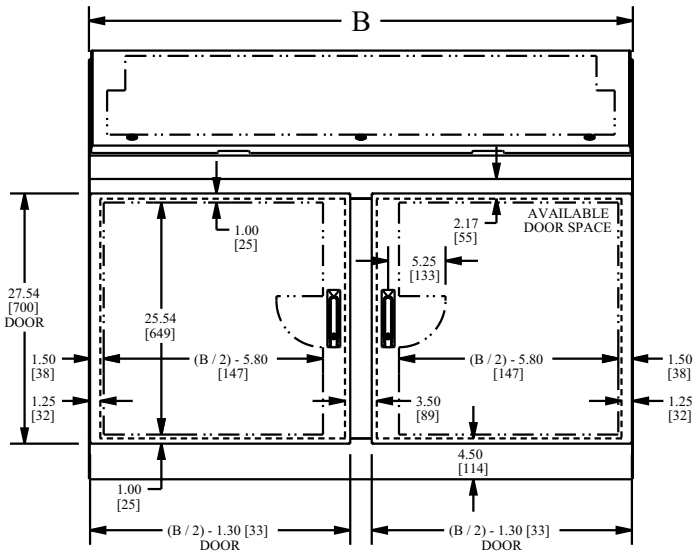


VIEW A-A



1 Operator System Enclosures
 2 Wall-Mount Enclosures
 3 Free-Standing & Floor-Mount Enclosures
 4 Modular Enclosures
 5 Operator System Enclosures (Stainless Steel)
 6 Wall-Mount Enclosures (Stainless Steel)
 7 Free-Standing & Floor-Mount Enclosures (Stainless Steel)
 8 Non-Metallic Enclosures
 9 Accessories
 10 Technical Information
 11 Index

DUAL ACCESS TWO-DOOR WITH CENTER CHANNEL



VIEW A-A

- 1 Operator System Enclosures
- 2 Wall-Mount Enclosures
- 3 Free-Standing & Floor-Mounted Enclosures
- 4 Modular Enclosures
- 5 Operator System Enclosures (Stainless Steel)
- 6 Wall-Mount Enclosures (Stainless Steel)
- 7 Free-Standing & Floor-Mounted Enclosures (Stainless Steel)
- 8 Non-Metallic Enclosures
- 9 Accessories
- 10 Technical Information
- 11 Index

Stainless Steel Work Station

Application -

Designed to house a computer, keyboard, monitor and other additional computer equipment in an industrial environment and provide degree of protection from dust, oil and moisture. Stainless steel work stations resist corrosion. For installation information, consult our Installation Manual at www.saginawcontrol.com.

Construction -

- 0.075" stainless steel Type 304.
- Seams continuously welded and ground smooth.
- Oil-resistant gasket.
- Flange trough collar around all sides of door opening.
- Concealed hinges.
- Removable doors.
- Ground studs on door and body.
- Large polycarbonate viewing window in top door.
- Lifting eyes for easy handling.
- Rubber pads with provision for leveling pads on bottom of enclosure.
- Black quarter turn latches on top door.
- Black quarter turn wing knob latches on keyboard door.
- Black 3-point flush swing handle in lower front and back doors.
- Gland plate on lower back of enclosure.
- Pullout keyboard shelf with attached self storing mouse shelf and mouse pad.
- Mounting channels welded on sides of interior body for mounting optional sub-panels, racks, mounting angles and shelves.

Finish -

#4 brushed finish on all exterior surfaces.

Options -

- Optional tamper-resistant inserts or padlocking handles are available.
- Can be special ordered in Type 316/316L stainless steel.

Note -

Optional sub-panels and accessories available, see pages 210 - 216.

IS1 - Industry Standards -

NEMA Type 12 & Type 13
UL Listed Type 12
CSA Type 12
IEC 60529 IP55

WORK STATION - STAINLESS STEEL

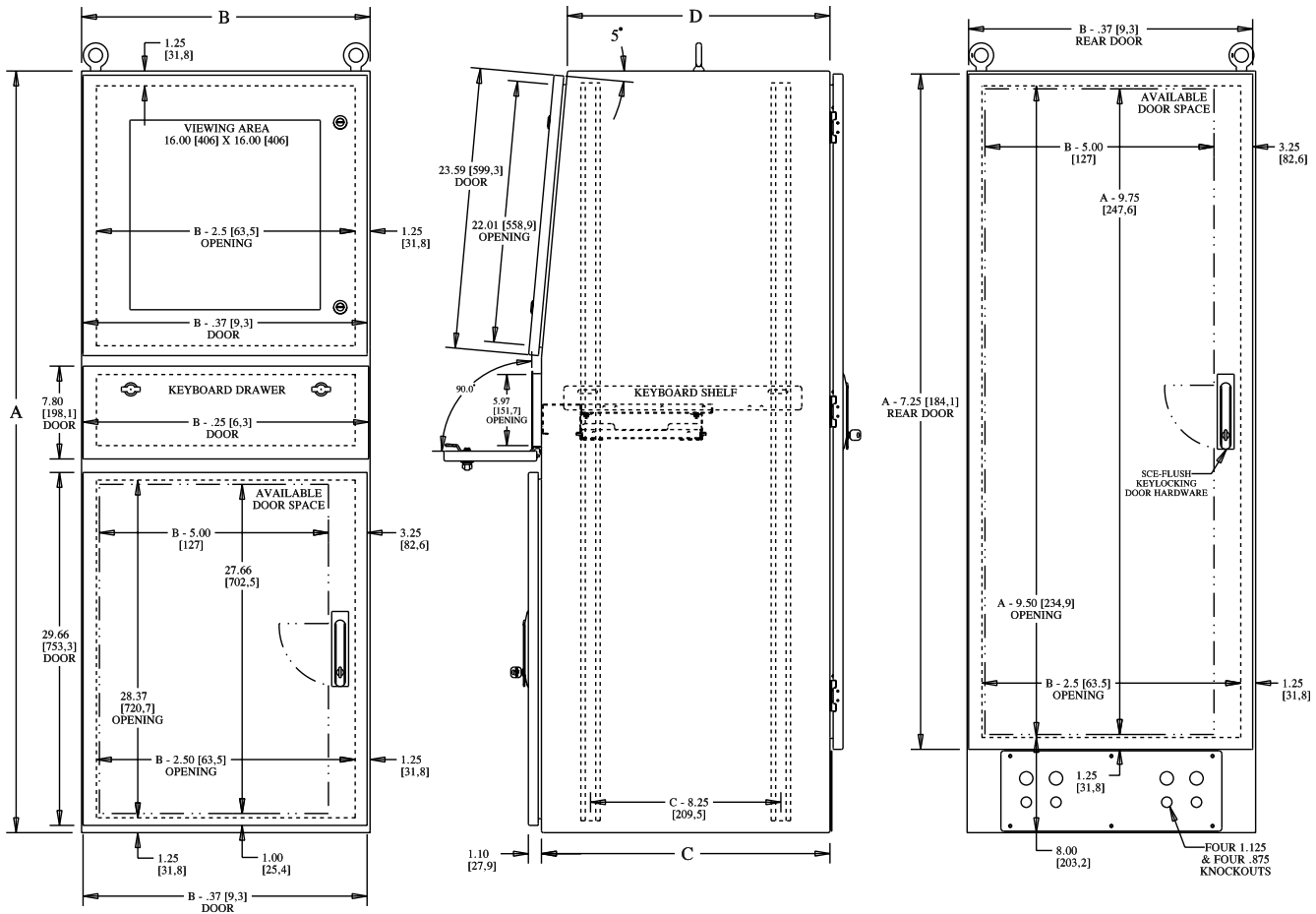
ENCLOSURE PRODUCT CODE S3						
Catalog No.	Height (A)	Width (B)	Depth (C)	Top Size (D)	Industry Standard	List Price
SCE-642424SSWS	64.00	24.25	24.25	22.15	IS1	6,379.61
SCE-642432SSWS	64.00	24.25	32.25	29.90	IS1	6,583.22



Phone (989) 799-6871
Fax (989) 799-4524



STAINLESS STEEL WORK STATION TECHNICAL DATA



Stainless Steel Pedestal Mount / Desktop Work Station

Application -

Designed to house a computer, keyboard, monitor and other additional computer equipment in an industrial environment and provide degree of protection from dust, oil and moisture. Stainless steel work stations resist corrosion. For installation information, consult our Installation Manual at www.saginawcontrol.com.

Construction -

- 0.075" stainless steel Type 304.
- Seams continuously welded and ground smooth.
- Oil-resistant gasket.
- Flange trough collar around all sides of door opening.
- Concealed hinges.
- Removable doors.
- Ground studs on door and body.
- Large polycarbonate viewing window.
- Lifting eyes for easy handling.
- Black quarter turn latches on top door.
- Black quarter turn wing knob latches on keyboard door.
- Black 3-point flush swing handle in back door.
- Pullout keyboard shelf with attached self storing mouse shelf and mouse pad.
- Mounting channels welded on sides of interior body for mounting optional sub-panels, racks, mounting angles and shelves.

Finish -

#4 brushed finish on all exterior surfaces.

Options -

- Optional tamper-resistant inserts or padlocking handles are available.
- Can be special ordered in Type 316/316L stainless steel.

Note -

Optional sub-panels and accessories available, see pages 210 - 216.

IS5 - Industry Standards -

NEMA Type 4, 4X, 12 & Type 13
UL Listed Type 4, 4X & 12
CSA Type 4, 4X & 12
IEC 60529 IP66

PEDESTAL MOUNT / DESKTOP WORK STATION - STAINLESS STEEL

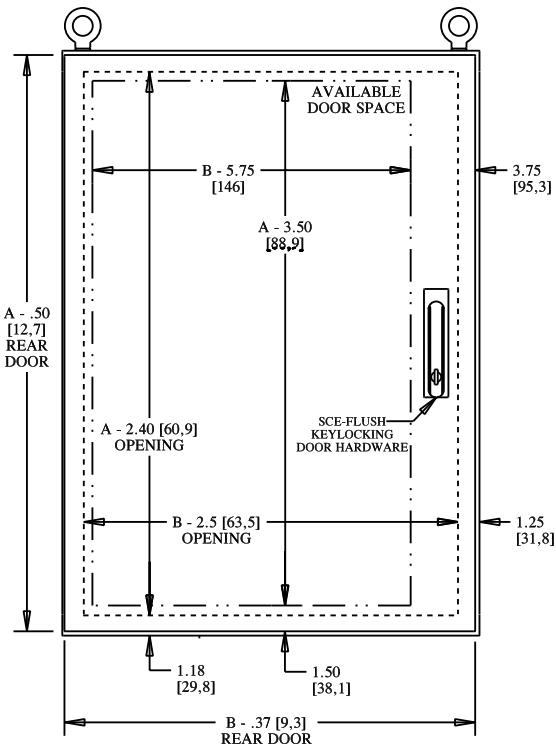
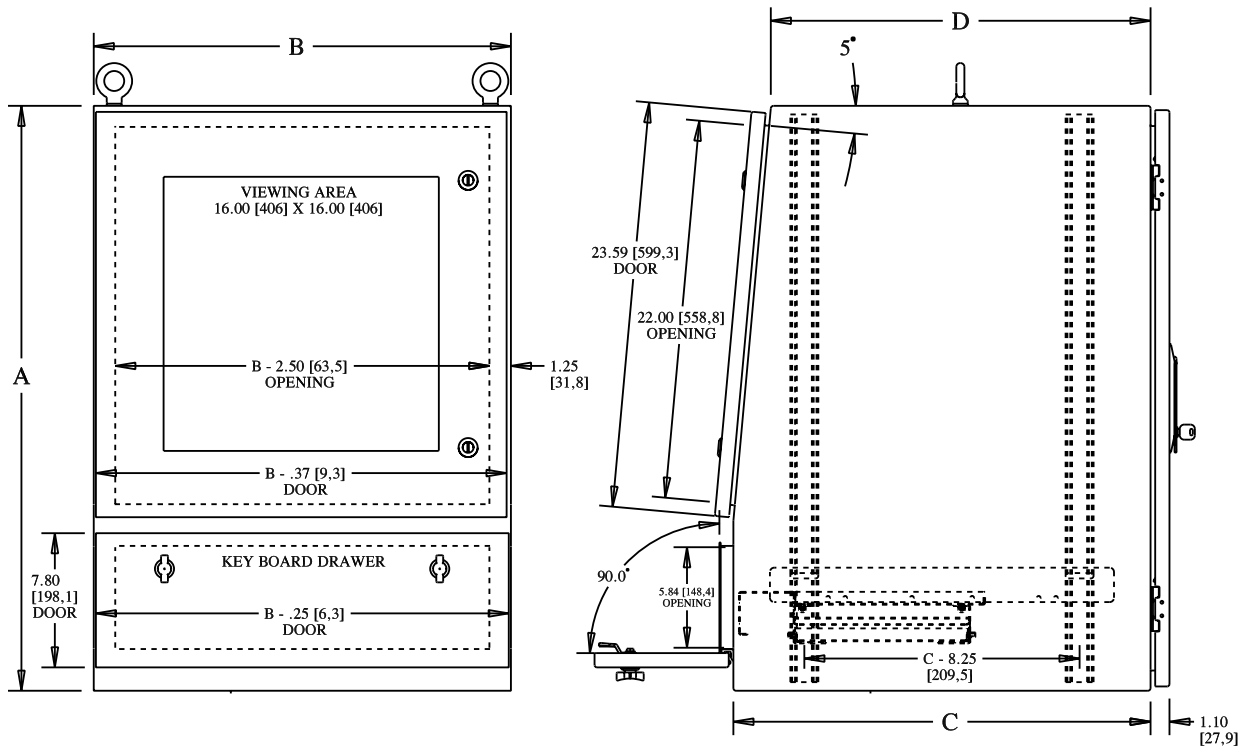
ENCLOSURE PRODUCT CODE S3						
Catalog No.	Height (A)	Width (B)	Depth (C)	Top Size (D)	Industry Standard	List Price
SCE-342424SSWS	34.00	24.25	24.25	22.15	IS5	5,768.79



Phone (989) 799-6871
Fax (989) 799-4524



PEDESTAL MOUNT OR DESKTOP WORK STATION TECHNICAL DATA



Stainless Steel Slope Top Work Station

Application -

Designed to house a computer, keyboard, monitor and other additional computer equipment in an industrial environment or an environment which may be regularly hosed down or in very wet or oily conditions. Provides protection from dust, dirt, water and oil. Stainless steel work stations resist corrosion. For installation information, consult our Installation Manual at www.saginawcontrol.com.

Construction -

- 0.075" stainless steel Type 304.
- Seams continuously welded and ground smooth.
- 15 degree sloped top.
- 12.5 degree sloped keyboard desk.
- Oil-resistant gasket.
- Flange trough collar around all sides of door opening.
- Concealed hinges.
- Removable doors.
- Ground studs on door and body.
- Large polycarbonate viewing window in top door.
- Lifting eyes for easy handling.
- Rubber pads with provision for leveling pads on bottom of enclosure.
- Black quarter turn latches on top door.
- Black 3-point flush swing handle in lower front and back doors.
- Gland plate on lower back of enclosure.
- Mounting channels welded on sides of interior body for mounting optional sub-panels, racks, mounting angles and shelves.
- Provisions for Monitor Mounting System.
- Pencil edge palm rest.

Finish -

#4 brushed finish on all exterior surfaces.

Options -

Can be special ordered in Type 316/316L stainless steel.

Note -

Optional sub-panels and accessories available, see pages 210 - 216.

IS1 - Industry Standards -

NEMA Type 12 & Type 13
UL Listed Type 12
CSA Type 12
IEC 60529 IP55

SLOPE TOP WORK STATION - STAINLESS STEEL

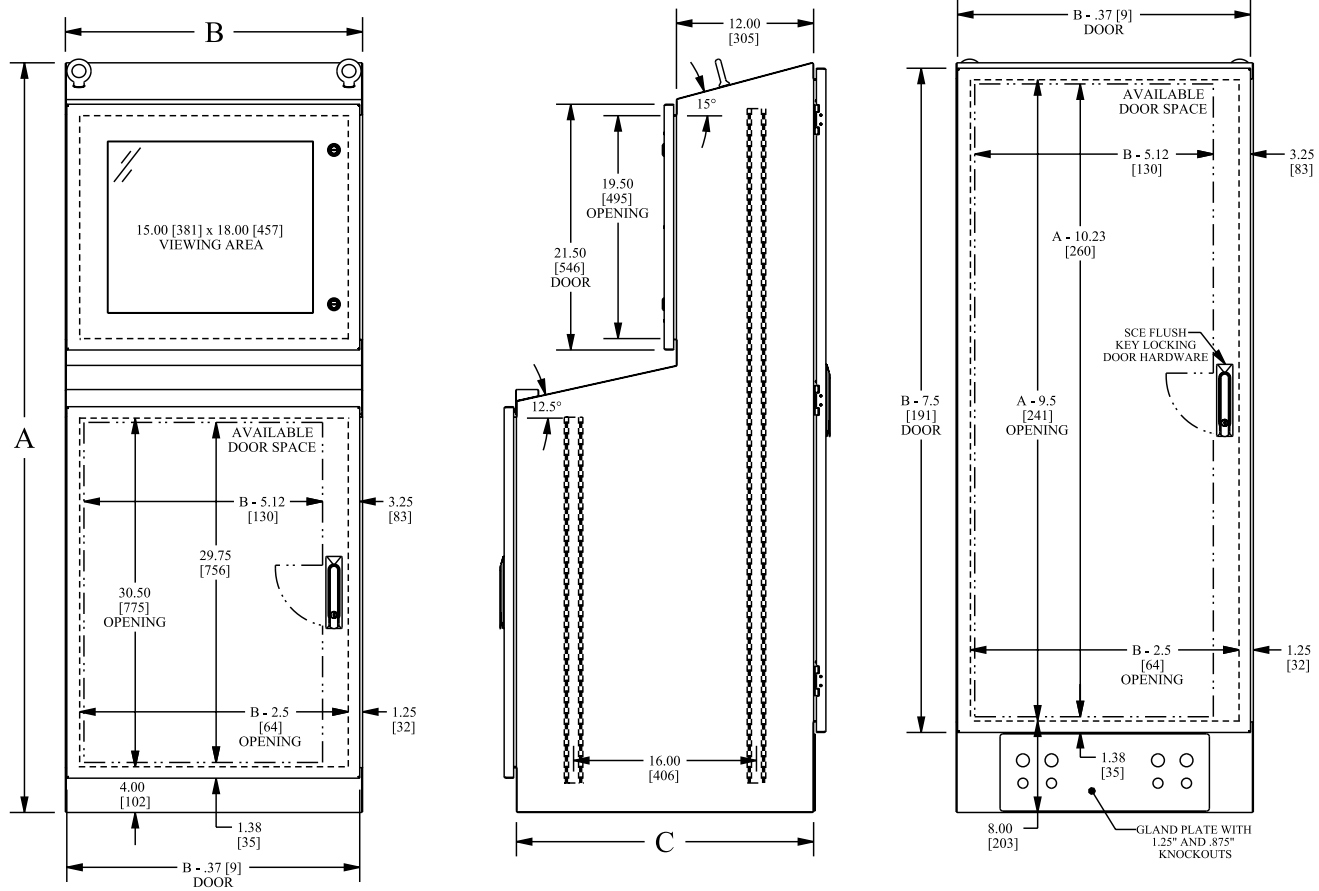
ENCLOSURE PRODUCT CODE S3					
Catalog No.	Height (A)	Width (B)	Depth (C)	Industry Standard	List Price
SCE-66ST2626SSWS	65.59	26.00	26.00	IS1	7,354.91



Phone (989) 799-6871
Fax (989) 799-4524



SLOPE TOP WORK STATION TECHNICAL DATA



WORK STATION ACCESSORY SELECTION GUIDE

PART NUMBER	DESCRIPTION									REQUIRES
		SCE-642424WS	SCE-642424SSWS	SCE-642432WS	SCE-642432SSWS	SCE-342424WS	SCE-342424SSWS	SCE-66ST2626WS	SCE-66ST2626SSWS	
SCE-20POS	Pullout Shelf	*	*			*	*			
SCE-22POS	Pullout Shelf							*	*	
SCE-26POS	Pullout Shelf			*	*					
SCE-22VEPOS	Vented Pullout Shelf							*	*	
SCE-20STS	Stationary Shelf	*	*			*	*			
SCE-22STS	Stationary Shelf							*	*	
SCE-26STS	Stationary Shelf			*	*					
SCE-20VESTS	Vented Stationary Shelf	*	*			*	*			
SCE-22VESTS	Vented Stationary Shelf							*	*	
SCE-26VESTS	Vented Stationary Shelf			*	*					
SCE-8STS	Monitor Shelf							*	*	
SCE-8VESTS	Vented Monitor Shelf							*	*	
SCE-STMMK	Monitor Mounting Bracket	*	*	*	*			*	*	
SCE-60RA19WS	Type RA Top Rack Angle	*	*	*	*	*	*			SCE-CN1032
SCE-60RA24WS	Type RA Bottom Rack Angle	*	*	*	*					SCE-CN1032
SCE-60RP19WS	Type RP Top Rack Angle	*	*	*	*	*	*			SCE-CN1032
SCE-60RP24F6	Type RP Bottom Rack Angle	*	*	*	*					SCE-CN1032
SCE-STWSPL	Pencil Edge/Palm Rest							*		Qty. 1 Included
SCE-STWSPLSS	Pencil Edge/Palm Rest								*	Qty. 1 Included
SCE-PSK24	Panel Support	*	*			*	*	*	*	
SCE-PSK32	Panel Support			*	*					
SCE-60P24WS	Side Mount Plate	*	*			*	*	*	*	
SCE-60P32WS	Side Mount Plate			*	*					
SCE-SB18	Support Bracket	*	*	*	*	*	*			Type RA Rack Angles
SCE-LPD2	Leveling Pad	*	*	*	*	*	*	*	*	
SCE-STWBTD	Blank Top Door							*		
SCE-STWSSBTD	Blank Top Door - Stainless Steel								*	
SCE-WSBTD	Blank Top Door	*	*	*	*	*	*			
SCE-WSSBTD	Blank Top Door - Stainless Steel		*		*	*	*			
SCE-PE22	Pedestal					*				
SCE-PE22SS	Pedestal - Stainless Steel						*			
SCE-24PEBASE	Pedestal Base					*				
SCE-24PEBASESS	Pedestal Base - Stainless Steel						*			
SCE-P2424WS	Plinth Base	*				*				
SCE-P2432WS	Plinth Base			*						
SCE-P2626WS	Plinth Base							*		
SCE-P2424SSWS	Plinth Base - Stainless Steel		*				*			
SCE-P2432SSWS	Plinth Base - Stainless Steel				*					
SCE-P2626SSWS	Plinth Base - Stainless Steel								*	
SCE-KBH	Keyboard Housing	*	*	*	*	*	*			
SCE-WSCC	Control Compartment	*	*			*				
SCE-WSCCSS	Control Compartment - Stainless Steel		*		*		*			
SCE-KBS	Keyboard Shelf	*	*	*	*	*	*			Qty. 1 Included

Phone (989) 799-6871
Fax (989) 799-4524



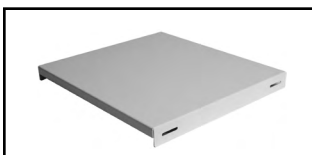
Catalog No.	Height (A)	Width (B)	Depth (C)	Used In Enclosure Depth	Product Code	List Price
SCE-20POS	2.00	19.50	20.00	24.25	C2	247.74
SCE-22POS	2.00	21.25	22.00	26.00	C2	251.26
SCE-26POS	2.00	19.50	28.00	32.25	C2	254.25



Catalog No.	Height (A)	Width (B)	Depth (C)	Used In Enclosure Depth	Product Code	List Price
SCE-22VEPOS	2.00	21.25	22.00	26.00	C2	317.95



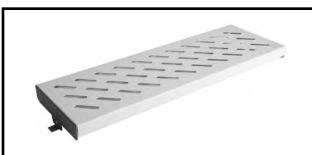
Catalog No.	Height (A)	Width (B)	Depth (C)	Used In Enclosure Depth	Product Code	List Price
SCE-20STS	2.00	22.00	20.00	24.25	C2	70.41
SCE-22STS	2.00	23.75	22.00	26.00	C2	73.82
SCE-26STS	2.00	22.00	28.00	32.25	C2	76.92



Catalog No.	Height (A)	Width (B)	Depth (C)	Used In Enclosure Depth	Product Code	List Price
SCE-20VESTS	2.00	22.00	20.00	24.25	C2	169.51
SCE-22VESTS	2.00	23.75	22.00	26.00	C2	175.04
SCE-26VESTS	2.00	22.00	28.00	32.25	C2	182.54



Catalog No.	Description	Height (A)	Width (B)	Depth (C)	Product Code	List Price
SCE-8STS	Non-Vented	1.50	23.75	8.00	C2	53.03
SCE-8VESTS	Vented	1.50	23.75	8.00	C2	60.33



WORK STATION ACCESSORIES

Pullout Shelf

Pullout shelves are designed to allow easy access to the back of equipment. Extends 19" and mounts between the mounting channels provided inside the work station. Slides are included with shelf. Made of heavy gauge steel and powder coated white. Mounting hardware is included.

Vented Pullout Shelf

Vented pullout shelves are designed to allow easy access to the back of equipment and to allow air circulation inside the work station. Extends 19" and mounts between the mounting channels provided inside the work station. Slides are included with the shelf. Made of heavy gauge steel and powder coated white. Mounting hardware is included.

Stationary Shelf

Designed to support monitors, PC's, printers or any other equipment. Mounts between the mounting channels provided inside the work station. Made of heavy gauge steel and powder coated white. Mounting hardware is included.

Vented Stationary Shelf

Designed to support monitors, PC's, printers or any other equipment while allowing air circulation inside the work station. Mounts between the mounting channels provided inside the work station. Made of heavy gauge steel and powder coated white. Mounting hardware is included.

Monitor Shelf Non-Vented & Vented

Designed to support the monitor or other components in the upper section of the work station. Vented shelf allows air circulation inside the work station. Made of heavy gauge steel and powder coated white. Mounting hardware is included.

WORK STATION ACCESSORIES

Monitor Mounting System

Designed for direct mounting of a flat screen monitor to the Work Station window door. Can be used with Standard Work Station or Slope Top Workstation. Made of steel and black texture powder coated. Mounting hardware is included.

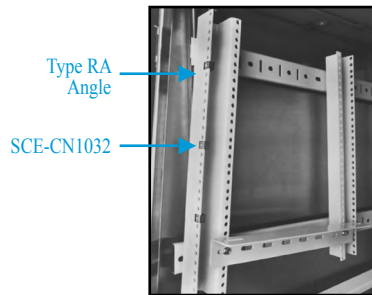


Catalog No.	Product Code	List Price
SCE-STMMK	P2	53.28

Rack Mounting Angle (Type RA) - "U-Shape"

Designed for mounting 19" rack mount equipment. Order clip nut package (CN1032) to provide tapped holes. Made of heavy gauge steel and powder coated white. Mounting hardware is included.

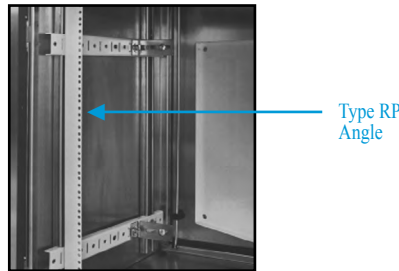
Catalog No.	Length	Mounting Location	Quantity Per Kit	Product Code	List Price
SCE-60RA19WS	19.25	Top	2	C2	119.96
SCE-60RA24WS	28.00	Bottom	2	C2	125.17



Rack Mounting Angle (Type RP) - "L-Shape"

Designed for mounting 19" rack mount equipment. Order clip nut package (SCE-CN1032) to provide tapped holes. Made of heavy gauge steel and powder coated white. Mounting hardware is included.

Catalog No.	Length	Mounting Location	Quantity Per Kit	Product Code	List Price
SCE-60RP19WS	19.25	Top	2	C2	58.68
SCE-60RP24F6	26.25	Bottom	2	P2	62.09



Pencil Edge/Palm Rest

Designed as a palm rest or retainer for the keyboard surface of the work station. Made of heavy gauge steel and powder coated white. "SS" part made of Type 304 stainless steel with #4 brushed finish. Mounting hardware is included.

Catalog No.	Height (A)	Width (B)	Depth (C)	Product Code	List Price
SCE-STWSPL	0.56	26.00	2.00	C2	32.91
SCE-STWSPLSS	0.56	23.00	2.00	C2	114.00

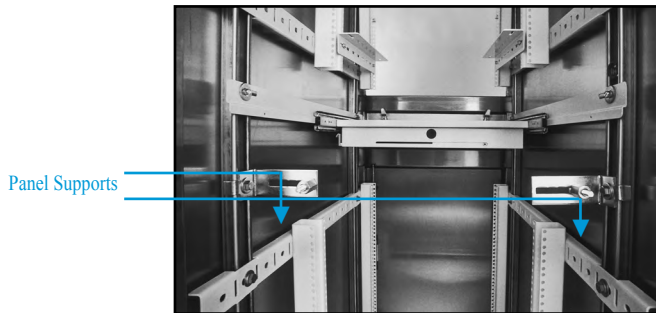


Phone (989) 799-6871
Fax (989) 799-4524



1 Operator System Enclosures
 2 Wall-Mount Enclosures
 3 Free-Standing & Floor-Mounted Enclosures
 4 Modular Enclosures
 5 Operator System Enclosures (Stainless Steel)
 6 Wall-Mount Enclosures (Stainless Steel)
 7 Free-Standing & Floor-Mounted Enclosures (Stainless Steel)
 8 Non-Metallic Enclosures
 9 Accessories
 10 Technical Information
 11 Index

Catalog No.	Height (A)	Width (B)	Depth (C)	Depth (D)	Quantity Per Kit	Product Code	List Price
SCE-PSK24	2.00	0.50	21.00	24.25	4	C2	59.98
SCE-PSK32	2.00	0.50	29.00	32.25	4	C2	63.90



Catalog No.	Height (A)	Width (B)	Used in Enclosure Depth	Product Code	List Price
SCE-60P24WS	12.00	17.50	24.25	C2	61.28
SCE-60P32WS	12.00	25.50	32.25	C2	70.41



Catalog No.	Quantity Per Kit	Product Code	List Price
SCE-CN1032	20	P2	32.31



WORK STATION ACCESSORIES

Panel Support

Panel supports can be installed horizontally to the left and right side of enclosure. Allows easy installation of optional panels or (RA) and (RP) type rack mounting angles to make them adjustable from front to back of the enclosure. Made of heavy gauge steel with a white powder coat finish. Mounting hardware is included.

Side Mount Plate

Designed to provide extra mounting space on the sides of the enclosure. Can be securely attached to the mounting channels. Mounting hardware is included. Made of heavy gauge steel and powder coated white.

Clamping Nuts

Clamping nuts with a #10-32 retained nut will fit all rack mounting angles and rack mounting frames, to provide tapped holes. Nuts are zinc plated.

WORK STATION ACCESSORIES

Individual Panel Supports

Individual Panel Supports are available for mounting sub-panels. Packaged in sets with all mounting hardware included. Made of heavy gauge steel and plated.

Support Bracket

Equipment support brackets help support rack mounted equipment during installation. The support mounts between two pair of type (RA) rack mounting angles. Slotted holes are provided to allow adjustment. Made of heavy gauge steel and powder coated white. Mounting hardware is included.

Channel Nuts

Designed to allow mounting of additional equipment to side channels. Zinc plated.

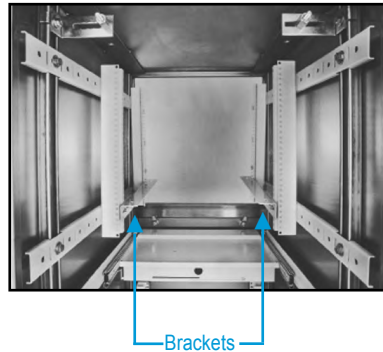
Leveling Pads

Designed to attach to the bottom of the enclosure in the existing threaded holes. Allows for adjustments for uneven floors. Pads are zinc plated with a plastic base. Mounting hardware is included.

Catalog No.	Notes	Product Code	List Price
SCE-FSPS4	Set of 4	P2	55.88
SCE-FSPS6	Set of 6	P2	84.44
SCE-FSPS8	Set of 8	P2	126.66



Catalog No.	Height (A)	Width (B)	Depth (C)	Quantity Per Kit	Product Code	List Price
SCE-SB18	2.00	2.00	15.00	2	C2	44.34



Catalog No.	Description	Quantity Per Kit	Product Code	List Price
SCE-PS3816CN	3/8 - 16 Strut Nut	20	P2	42.22
SCE-PS1420CN	1/4 - 20 Strut Nut	20	P2	42.22



SCE-PS1420CN



SCE-PS3816CN

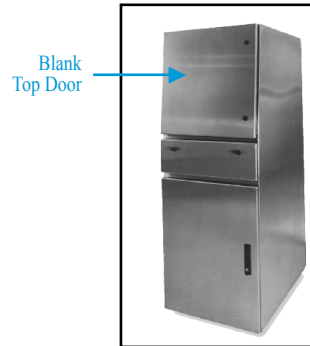
Catalog No.	Thread Size	Height	Quantity Per Kit	Product Code	List Price
SCE-LPD2	3/8 - 16	2.00	4	P2	37.25



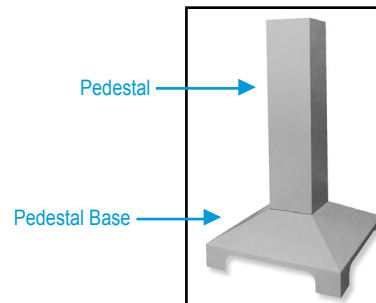
Phone (989) 799-6871
Fax (989) 799-4524



Catalog No.	Height (A)	Width (B)	Finish	Product Code	List Price
SCE-STWBTD	21.50	25.63	White	C2	155.47
SCE-STWSSBTD	21.50	25.63	Stainless Steel	C2	462.20
SCE-WSBTD	23.60	23.86	RAL 7035 Gray	C2	247.74
SCE-WSSBTD	23.59	23.88	Stainless Steel	C2	365.08



Catalog No.	Height (A)	Width (B)	Depth (C)	Finish	Product Code	List Price
SCE-PE22	21.38	8.00	8.00	RAL 7035 Gray	C2	365.08
SCE-PE22SS	21.38	8.00	8.00	Stainless Steel	C2	912.72



Catalog No.	Height (A)	Width (B)	Depth (C)	Finish	Product Code	List Price
SCE-24PEBASE	10.00	24.00	24.00	RAL 7035 Gray	C2	545.02
SCE-24PEBASESS	10.00	24.00	24.00	Stainless Steel	C2	1,363.86

Catalog No.	Height (A)	Width (B)	Depth (C)	Product Code	List Price
SCE-P2424WS	4.00	24.25	24.25	P2	169.92
SCE-P2432WS	4.00	32.25	24.25	P2	198.24
SCE-P2626WS	4.00	26.00	26.00	P2	184.08
Stainless Steel					
SCE-P2424SSWS	4.00	24.25	24.25	P2	515.13
SCE-P2432SSWS	4.00	32.25	24.25	P2	588.72
SCE-P2626SSWS	4.00	26.00	26.00	P2	552.24

WORK STATION ACCESSORIES

Blank Top Door

Designed to replace the top door when cutouts are desired. Oil resistant gasket. Installed by removing hinge pin. Black quarter turn latches. Made of heavy gauge steel and powder coated. "SS" door is made of Type 304 stainless steel with #4 brushed finish. Mounting hardware is included.

Pedestal

Designed to allow desktop work stations to be floor mounted. Gasket and hardware provided to attach to work station. Made of heavy gauge steel and powder coated RAL 7035 gray. "SS" pedestal is made of Type 304 stainless steel.

Pedestal Base

Designed to mount pedestal to the floor. Made of heavy gauge steel and powder coated RAL 7035 gray. "SS" base is made of Type 304 stainless steel. Mounting hardware is included.

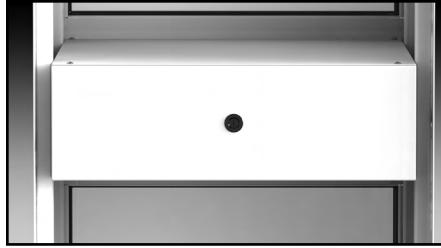
Work Station Plinth Base

Designed to install under an enclosure to provide space for cables to enter from below and raise the enclosure up off the floor. Plinth bases are stackable to acquire desired height off the floor. Made of heavy gauge steel and finished with black textured powder coat. "SS" parts are made of type 304 stainless steel with #4 brushed finish.

WORK STATION ACCESSORIES

Keyboard Housing

Provides protection from dust, dirt, oil and water for interior components when keyboard drawer is open. Mounts to mounting channels. Keyboard shelf with slides is mounted inside the housing. Hole grommet in rear provided for cords. Powder coated white. Mounting hardware is included.



Catalog No.	Height (A)	Width (B)	Depth (C)	Product Code	List Price
SCE-KBH	7.00	21.91	22.38	C2	247.74

Control Compartment

Designed to be mounted to the front of the work station when installation of pushbuttons or control panels is desired. Installed after removing the pullout keyboard drawer and door. Can be installed with the flat or sloped surface facing up. 20 degree slope on sloped surface. Gasket and mounting hardware included. Made of heavy gauge steel and powder coated RAL 7035 gray. "SS" part is made of Type 304 stainless steel with #4 brushed finish.

Catalog No.	Height (A)	Width (B)	Depth (C)	Finish	Product Code	List Price
SCE-WSCC	8.00	24.25	14.50	RAL 7035 Gray	C2	286.86
SCE-WSCCSS	8.00	24.25	14.50	Stainless Steel	C2	664.98



Pullout Keyboard Drawer

Designed to hold a keyboard and mouse on a separate pullout shelf. Mounts between mounting channels. Made of heavy gauge steel with a white powder coat finish. A mouse pad is included. Drawer is included with work station. Mounting hardware is included.

Catalog No.	Height (A)	Width (B)	Depth (C)	Used in Enclosure Depth	Product Code	List Price
SCE-KBS	3.00	20.00	14.00	24.25	P2	372.54
SCE-KBS32	3.00	20.00	14.00	32.25	P2	372.54



Phone (989) 799-6871
Fax (989) 799-4524



NOTES



Your Enclosure Source®

Phone (989) 799-6871
Fax (989) 799-4524

- 1 Operator System Enclosures
- 2 Wall-Mount Enclosures
- 3 Free-Standing & Floor-Mounted Enclosures
- 4 Modular Enclosures
- 5 Operator System Enclosures (Stainless Steel)
- 6 Wall-Mount Enclosures (Stainless Steel)
- 7 Free-Standing & Floor-Mounted Enclosures (Stainless Steel)
- 8 Non-Metallic Enclosures
- 9 Accessories
- 10 Technical Information
- 11 Index

Stainless Steel HMI Enclosures & Accessories

Application -

Designed to house Human-Machine Interfaces (HMI) and electrical and electronic controls, instruments and components. Provides a degree of protection from dust, oil and water.

Construction -

- 0.075" stainless steel Type 304.
- Seams continuously welded and ground smooth.
- Reinforced with mounting provisions for suspension or pedestal mounting.
- Concealed hinge access door with provisions for sub-panel.
- Removable front cover for easy installation of cutouts, HMI and components.
- Oil-resistant gasket.
- Black quarter turn latches.
- Latches are opened or closed with a screwdriver.
- Ground studs on door and body.

Finish -

#4 brushed finish on all exterior surfaces. Optional sub-panels powder coated white.

Options -

- Tamper-resistant latches
- Pull handles
- Keyboard shelf

IS6 - Industry Standards -

NEMA Type 3R, 4, 4X, 12 & Type 13
UL Listed Type 3R, 4, 4X & 12
CA Type 4, 4X & 12
IEC 60529 IP66

***Special Instructions apply for IS3, IS4 and IS6 to maintain the environmental rating of Type 3R for these parts. See the Special Instructions on the Industry Standards page in the Technical Information Section.



STAINLESS STEEL HMI ENCLOSURES

ENCLOSURE PRODUCT CODE C2						SUB-PANEL (P3)			
Catalog No.	Height (A)	Width (B)	Depth (C)	Industry Standard	List Price	Catalog No.	Panel Height (D)	Panel Width (E)	List Price
SCE-12HMI1606SSLP	12.00	16.00	6.00	IS6	679.77	SCE-12P10	11.00	9.00	7.72
SCE-12HMI1610SSLP	12.00	16.00	10.00	IS6	736.37	SCE-12P10	11.00	9.00	7.72
SCE-14HMI1806SSLP	14.00	18.00	6.00	IS6	756.19	SCE-14P12	13.00	11.00	10.13
SCE-14HMI1810SSLP	14.00	18.00	10.00	IS6	800.76	SCE-14P12	13.00	11.00	10.13
SCE-16HMI2006SSLP	16.00	20.00	6.00	IS6	811.58	SCE-16P14	15.00	13.00	19.95
SCE-16HMI2010SSLP	16.00	20.00	10.00	IS6	892.39	SCE-16P14	15.00	13.00	19.95
SCE-20HMI2406SSLP	20.00	24.00	6.00	IS6	950.97	SCE-20P18HMI	19.00	17.00	33.23
SCE-20HMI2410SSLP	20.00	24.00	10.00	IS6	1,038.60	SCE-20P18HMI	19.00	17.00	33.23

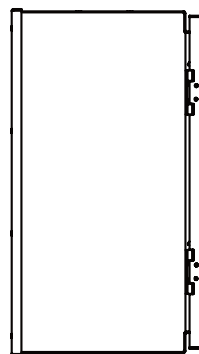
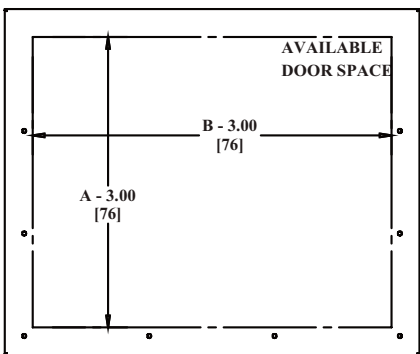
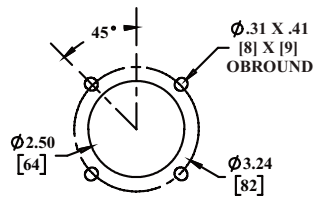
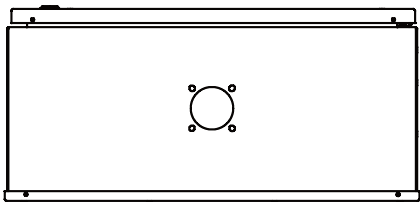
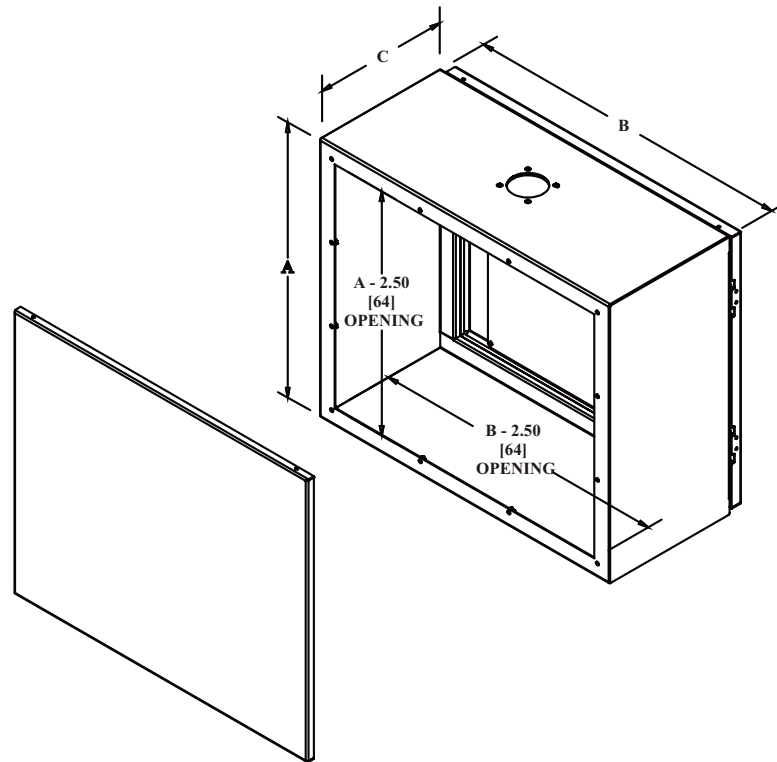
For Reference View



Phone (989) 799-6871
Fax (989) 799-4524



STAINLESS STEEL HMI ENCLOSURES TECHNICAL DATA

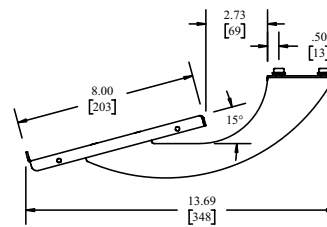
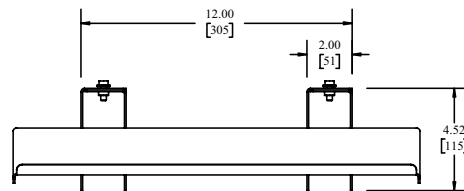
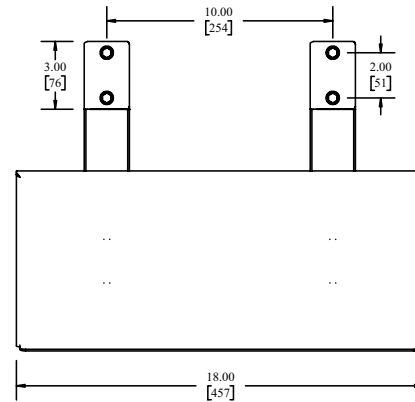
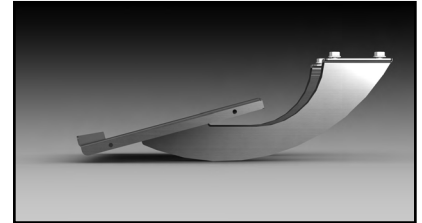
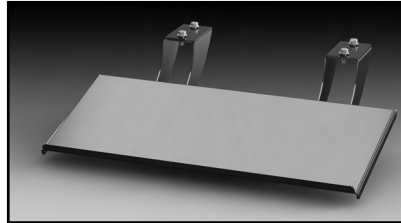


HMI ACCESSORIES

HMI Keyboard Shelf

Designed for use on HMI enclosures. Mounting hardware is included.

Catalog No.	Height (A)	Width (B)	Depth (C)	Finish	Product Code	List Price
SCE-HMIKBS	4.52	18.00	13.69	Black Texture	P2	167.47
SCE-HMIKBSSS	4.52	18.00	13.69	Stainless Steel	P2	378.14

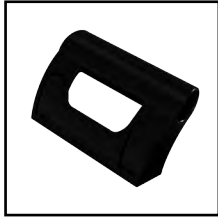


Phone (989) 799-6871
Fax (989) 799-4524

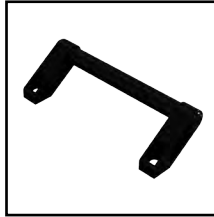


1 Operator System Enclosures
 2 Wall-Mount Enclosures
 3 Free-Standing & Floor-Mounted Enclosures
 4 Modular Enclosures
 5 Operator System Enclosures (Stainless Steel)
 6 Wall-Mount Enclosures (Stainless Steel)
 7 Free-Standing & Floor-Mounted Enclosures (Stainless Steel)
 8 Non-Metallic Enclosures
 9 Accessories
 10 Technical Information
 11 Index

Catalog No.	Height (A)	Width (B)	Depth (C)	QTY per Kit	Product Code	List Price
SCE-HMIPH5	5.28	2.57	2.84	1	P2	25.16
SCE-AUHK	12.00	4.27	3.15	1	P2	35.94



SCE-HMIPH5



SCE-AUHK

Catalog No.	Height (A)	Width (B)	Depth (C)	QTY per Kit	Product Code	List Price
SCE-HMICPSS	3.50	3.50	0.08	1	P2	54.00



HMI ACCESSORIES

HMI Pull Handle

Designed for use on HMI enclosures. Handle is a steel tube plastic coated black with black molded polyamide plastic end stays. Mounting hardware is included.

HMI Cover Plate

Gasketed cover plate for use on HMI enclosures when mounting cutout is not needed. Made of heavy gauge stainless steel with #4 brushed finish.

Suspension System

Application -

Designed for use with the SCE HMI enclosures, allows operators to easily move or position an HMI to an ergonomic and comfortable working position. Heavy duty and reliable construction. Suspension Systems can be assembled in a multitude of configurations that allow for machine mount, wall mount, top mount, and floor mount options. For Installation instructions consult our installation manual at www.saginawcontrol.com.

Construction -

- Cast aluminum couplings.
- Extruded aluminum tubes (6060T66).
- Rotating couplings have adjustable tensioner brakes to control movement while in use.
- Open or closed tube design.
- Open tube allows for easy access to lay in wiring, with easy to install push fit rubber cover.
- Closed tube acts as conduit for feeding wiring.
- Rigid, durable bearing in all rotating couplings withstand the stress of continuous use.
- Removable access covers on all couplings with 90 degree turn.
- Hardware and gasket included for installation of coupling to tube.

Finish -

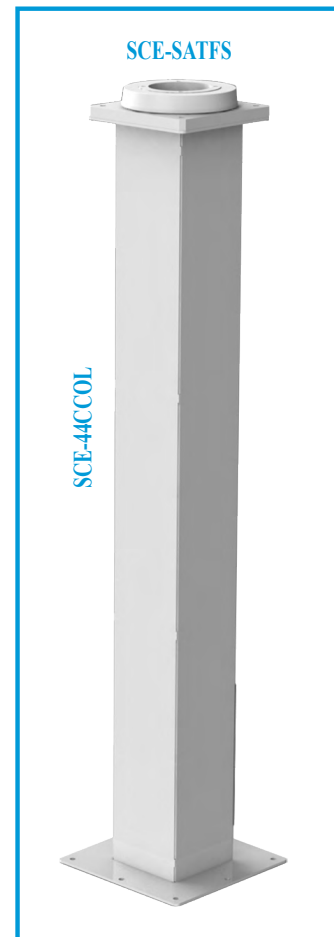
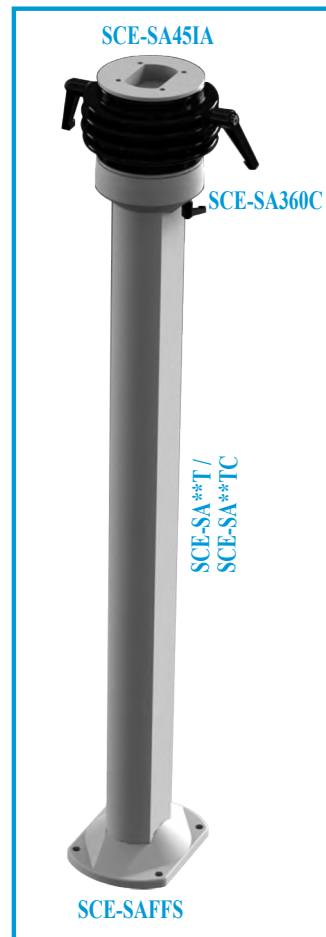
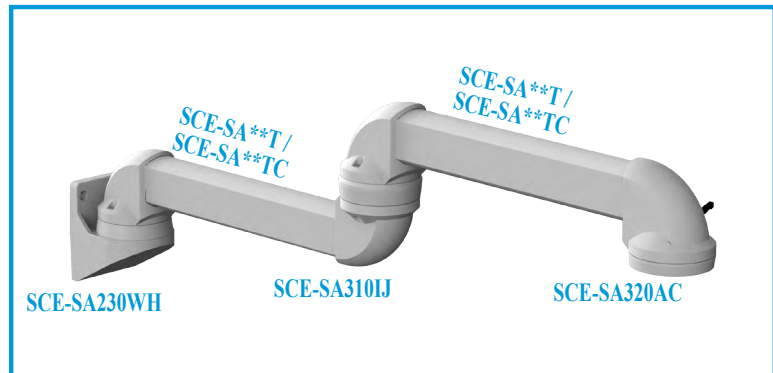
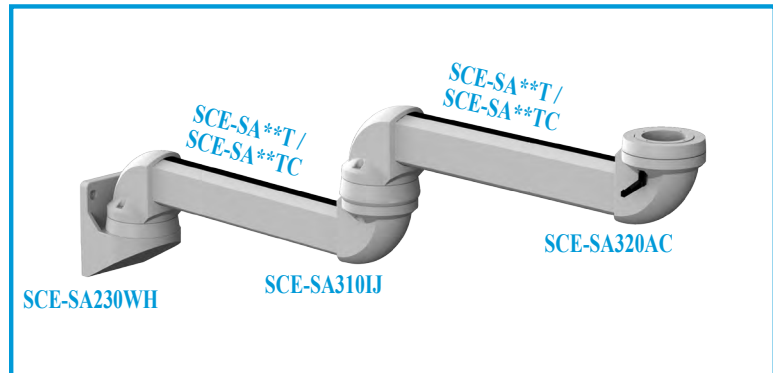
RAL 7035 powder coated finish.

For further information on individual components see page 368

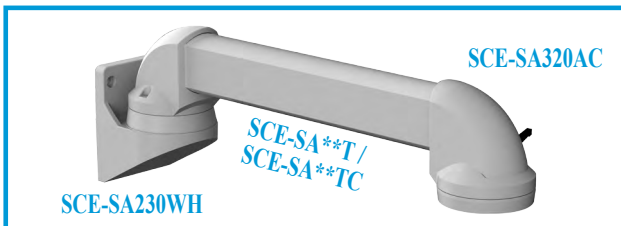
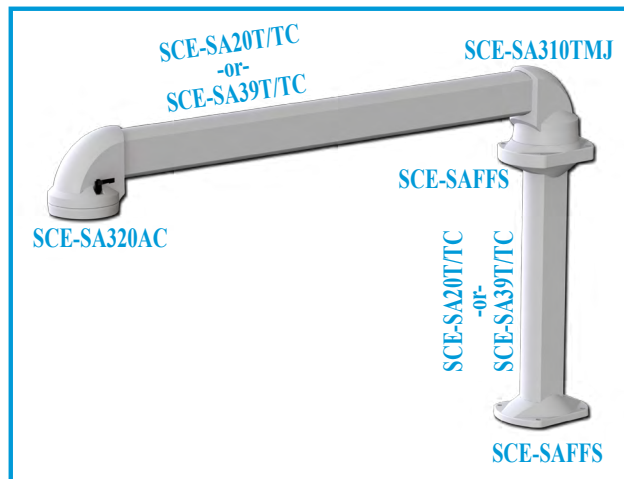
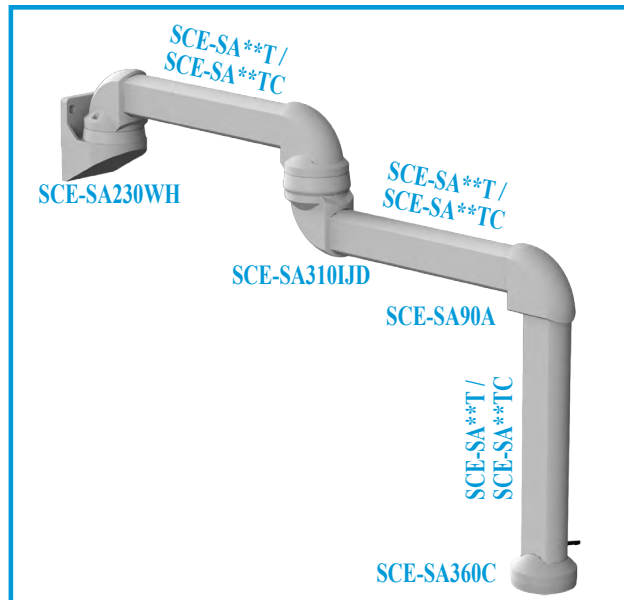
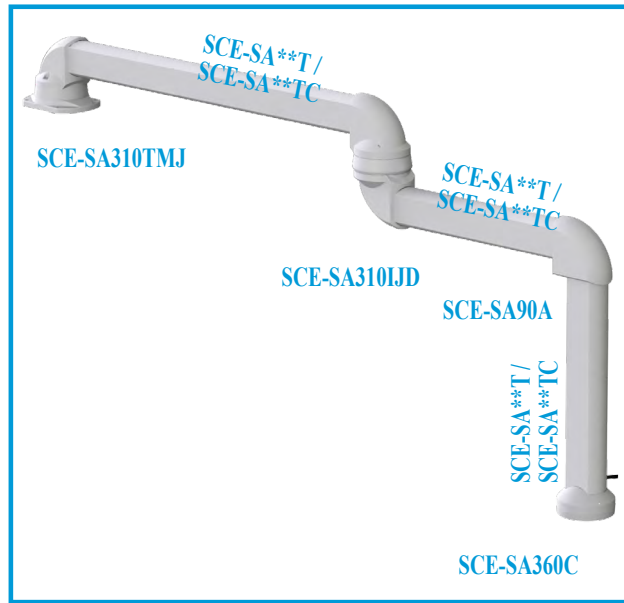
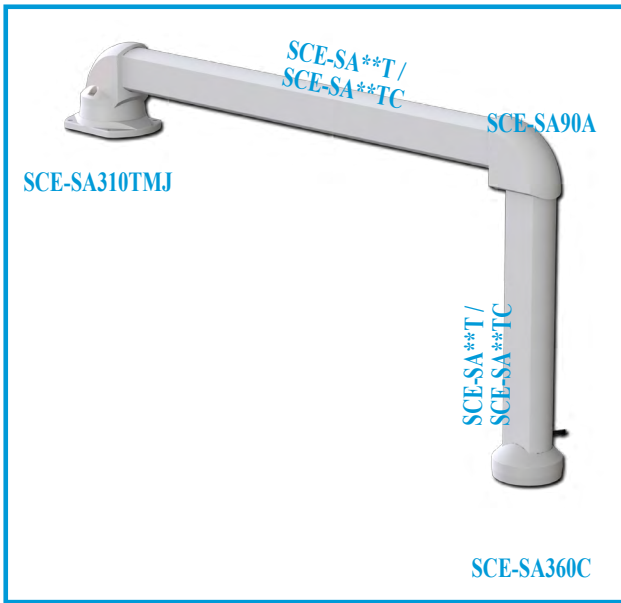
Industry Standards -

NEMA Type 12
IEC 60529 IP55

POSSIBLE SUSPENSION SYSTEM CONFIGURATIONS



POSSIBLE SUSPENSION SYSTEM CONFIGURATIONS



NOTES

- 11 Index
- 10 Technical Information
- 9 Accessories
- 8 Non-Metallic Enclosures
- 7 Free-Standing & Floor-Mounted Enclosures (Stainless Steel)
- 6 Wall-Mount Enclosures (Stainless Steel)
- 5 Operator System Enclosures (Stainless Steel)
- 4 Modular Enclosures
- 3 Free-Standing & Floor-Mounted Enclosures
- 2 Wall-Mount Enclosures
- 1 Operator System Enclosures

Phone (989) 799-6871
Fax (989) 799-4524



NOTES



Phone (989) 799-6871
Fax (989) 799-4524

- 1 Operator System Enclosures
- 2 Wall-Mount Enclosures
- 3 Free-Standing & Floor-Mounted Enclosures
- 4 Modular Enclosures
- 5 Operator System Enclosures (Stainless Steel)
- 6 Wall-Mount Enclosures (Stainless Steel)
- 7 Free-Standing & Floor-Mounted Enclosures (Stainless Steel)
- 8 Non-Metallic Enclosures
- 9 Accessories
- 10 Technical Information
- 11 Index

Wall-Mount Enclosures (Stainless Steel)

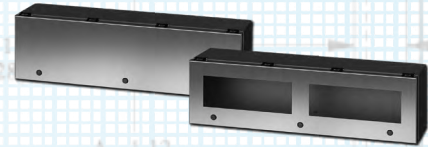
**Pushbutton Enclosures
(304 & 316 Stainless Steel) 228 – 235**



**Enviroline® Series Junction Enclosures
(304 & 316 Stainless Steel) 236 – 239**



**Enviroline® Series Trough Junction
Enclosures (Stainless Steel) 240 – 243**



**Continuous Hinge Junction Enclosures
(304 & 316 Stainless Steel) 244 – 245**



**Enviroline® Series Single-Door Enclosures
with 3-Point Hardware
(304 & 316 Stainless Steel) 246 – 247**



**Enviroline® Series Single-Door Enclosures
(304 Stainless Steel) 248 – 249**



**Enviroline® Series Single-Door Enclosures
(316 Stainless Steel) 250 – 251**



**Enviroline® Series Sloping Top Single-Door
Enclosures (Stainless Steel) 252 – 253**



Phone (989) 799-6871
Fax (989) 799-4524



1 Operator System Enclosures
2 Wall-Mount Enclosures
3 Free-Standing & Floor-Mounted Enclosures
4 Modular Enclosures
5 Operator System Enclosures (Stainless Steel)
6 Wall-Mount Enclosures (Stainless Steel)
7 Free-Standing & Floor-Mounted Enclosures (Stainless Steel)
8 Non-Metallic Enclosures
9 Accessories
10 Technical Information
11 Index

Wall-Mount Enclosures (Stainless Steel)

**Clamp Fastened Single-Door Enclosures
(304 Stainless Steel)..... 254 – 255**



**Clamp Fastened Single-Door Enclosures
(316 Stainless Steel)..... 256 – 257**

**Enviroline® Series Two-Door Enclosures
(Stainless Steel)..... 258 – 259**



**Enviroline® Series Single-Door Enclosures
for Flange-Mounted Disconnects with SCE
Door Hardware (304 Stainless Steel)..... 260 – 261**



**Enviroline® Series Single-Door Enclosures
for Flange-Mounted Disconnects with SCE
Door Hardware (316 Stainless Steel)..... 262 – 263**

**Enviroline® Series Sloping Top Single-Door
Enclosures for Flange-Mounted
Disconnects with SCE Door Hardware
(Stainless Steel)..... 264 – 265**



**Clamp Fastened Single-Door Enclosures
for Flange-Mounted Disconnects
(304 & 316 Stainless Steel) 266 – 267**



Phone (989) 799-6871
Fax (989) 799-4524



Operator System Enclosures 1
Wall-Mount Enclosures 2
Free-Standing & Floor-Mounted Enclosures 3
Modular Enclosures 4
Operator System Enclosures (Stainless Steel) 5
Wall-Mount Enclosures (Stainless Steel) 6
Free-Standing & Floor-Mounted Enclosures (Stainless Steel) 7
Non-Metallic Enclosures 8
Accessories 9
Technical Information 10
Index 11

Stainless Steel 30.5 mm Pushbutton Enclosures

Application -

Designed to house standard pushbuttons, switches and pilot lights in wet and hosed down areas and in corrosive atmospheres. For installation information, consult our Installation Manual at www.saginawcontrol.com.

Construction -

- 0.063" stainless steel Type 304 & 316/316L.
- Seams continuously welded and ground smooth.
- Captivated cover screws thread into sealed wells.
- 4-way pushbutton holes accept all brands of oil-tight pushbuttons, switches and pilot lights. Hole diameter 1.20" (30.5 mm).
- Immediate removal of cover is permitted.
- Oil-resistant door gasket.
- Welded mounting provision top and bottom of back.

Finish -

#4 brushed finish on all exterior surfaces.

IS5 - Industry Standards -

NEMA Type 4, 4X, 12 & Type 13
UL Listed Type 4, 4X & 12
CSA Type 4, 4X & 12
IEC 60529 IP66

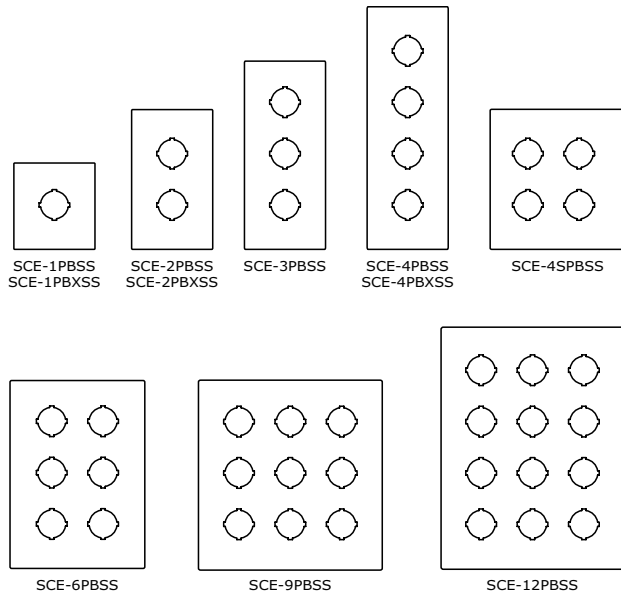


304 STAINLESS STEEL 30.5 mm PUSHBUTTON ENCLOSURES

ENCLOSURE PRODUCT CODE S1					
Catalog No.	Height (A)	Width (B)	Depth (C)	Industry Standard	List Price
SCE-1PBSS	3.50	3.25	2.75	IS5	134.38
SCE-1PBXSS	4.00	4.00	4.75	IS5	179.00
SCE-2PBSS	5.75	3.25	2.75	IS5	168.31
SCE-2PBXSS	6.00	4.00	4.75	IS5	224.05
SCE-3PBSS	8.00	3.25	2.75	IS5	183.25
SCE-3PBXSS	8.00	4.00	4.75	IS5	238.40
SCE-4PBSS	10.25	3.25	2.75	IS5	207.67
SCE-4PBXSS	10.00	4.00	4.75	IS5	247.05
SCE-4SPBSS	7.25	6.25	3.00	IS5	228.03
SCE-6PBSS	9.50	6.25	3.00	IS5	272.84
SCE-9PBSS	9.50	8.50	3.00	IS5	308.12
SCE-12PBSS	11.75	8.50	3.00	IS5	351.56

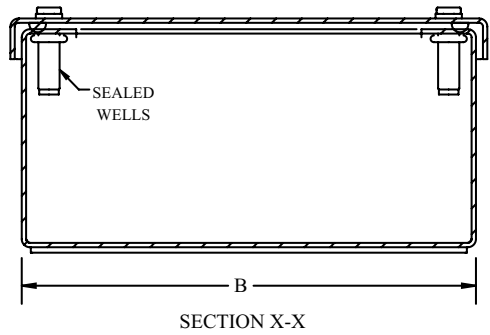
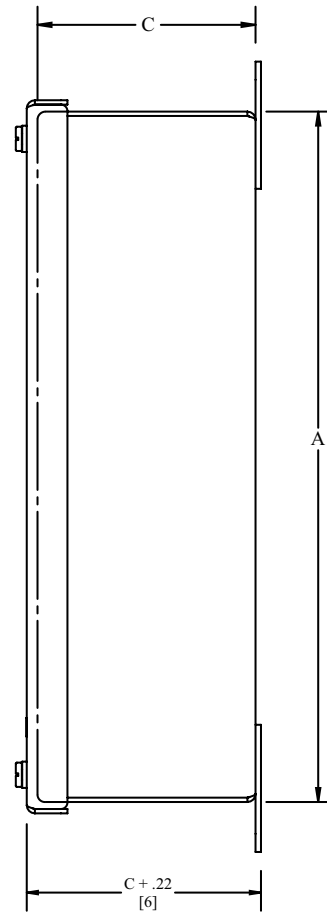
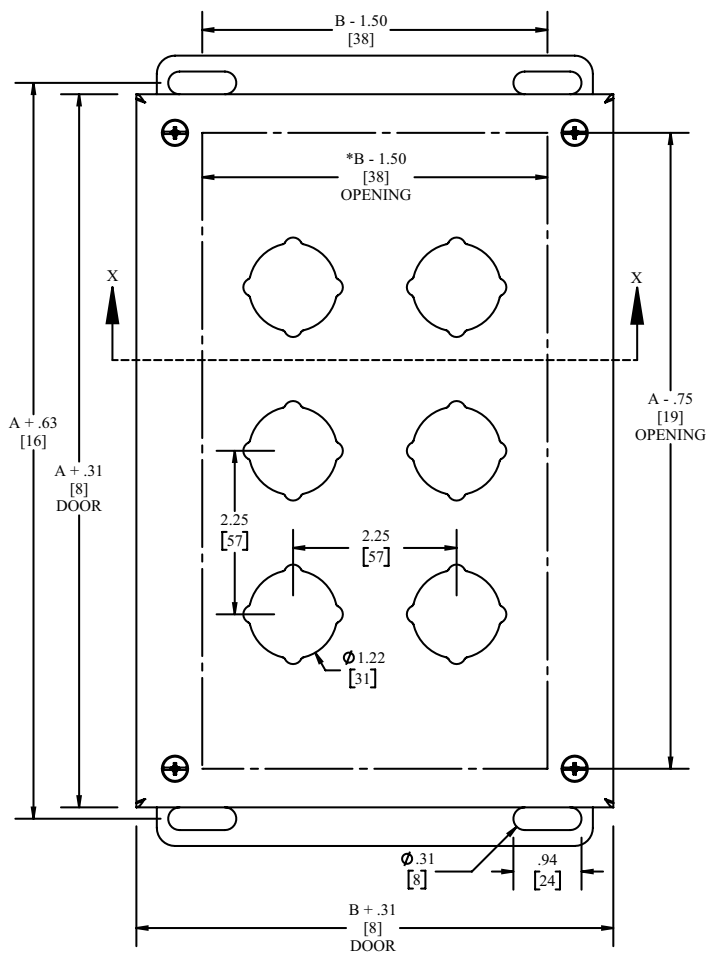
316 STAINLESS STEEL 30.5 mm PUSHBUTTON ENCLOSURES

ENCLOSURE PRODUCT CODE S1					
Catalog No.	Height (A)	Width (B)	Depth (C)	Industry Standard	List Price
SCE-1PBSS6	3.50	3.25	2.75	IS5	161.26
SCE-1PBXSS6	4.00	4.00	4.75	IS5	214.80
SCE-2PBSS6	5.75	3.25	2.75	IS5	201.97
SCE-2PBXSS6	6.00	4.00	4.75	IS5	268.86
SCE-3PBSS6	8.00	3.25	2.75	IS5	219.90
SCE-4PBSS6	10.25	3.25	2.75	IS5	249.20
SCE-4PBXSS6	10.00	4.00	4.75	IS5	296.46
SCE-4SPBSS6	7.25	6.25	3.00	IS5	273.64
SCE-6PBSS6	9.50	6.25	3.00	IS5	327.41
SCE-9PBSS6	9.50	8.50	3.00	IS5	369.74
SCE-12PBSS6	11.75	8.50	3.00	IS5	421.87



STAINLESS STEEL 30.5 mm PUSHBUTTON ENCLOSURES

TECHNICAL DATA



NOTE:
*B - .50 [13] WHEN ONE COLUMN OF PUSHBUTTONS

Stainless Steel 22.5 mm Pushbutton Enclosures

Application -

Designed to house standard pushbuttons, switches and pilot lights in wet and hosed down areas and in corrosive atmospheres. For installation information, consult our Installation Manual at www.saginawcontrol.com.

Construction -

- 0.063" stainless steel Type 304 & 316/316L.
- Seams continuously welded and ground smooth.
- Captivated cover screws thread into sealed wells.
- 4-way pushbutton holes accept all brands of oil-tight pushbuttons, switches and pilot lights. Hole diameter 0.87" (22.5 mm).
- Immediate removal of cover is permitted.
- Oil-resistant door gasket.
- Welded mounting provision top and bottom of back.

Finish -

#4 brushed finish on all exterior surfaces.

IS5 - Industry Standards -

NEMA Type 4, 4X, 12 & Type 13
UL Listed Type 4, 4X & 12
CSA Type 4, 4X & 12
IEC 60529 IP66

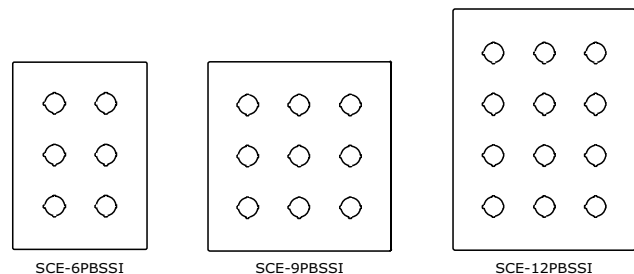
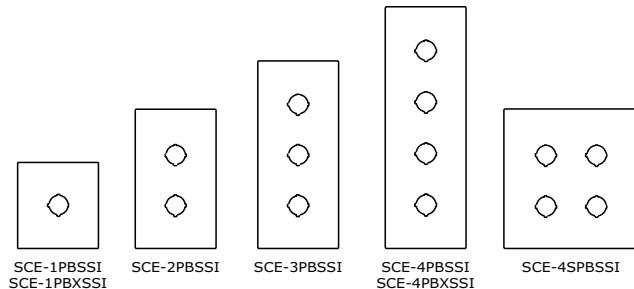


304 STAINLESS STEEL 22.5 mm PUSHBUTTON ENCLOSURES

ENCLOSURE PRODUCT CODE S1					
Catalog No.	Height (A)	Width (B)	Depth (C)	Industry Standard	List Price
SCE-1PBSSI	3.50	3.25	2.75	IS5	134.38
SCE-1PBXSSI	4.00	4.00	4.75	IS5	179.00
SCE-2PBSSI	5.75	3.25	2.75	IS5	168.31
SCE-3PBSSI	8.00	3.25	2.75	IS5	183.25
SCE-4PBSSI	10.25	3.25	2.75	IS5	207.67
SCE-4PBXSSI	10.00	4.00	4.75	IS5	247.05
SCE-4SPBSSI	7.25	6.25	3.00	IS5	228.03
SCE-6PBSSI	9.50	6.25	3.00	IS5	272.84
SCE-9PBSSI	9.50	8.50	3.00	IS5	308.12
SCE-12PBSSI	11.75	8.50	3.00	IS5	351.56

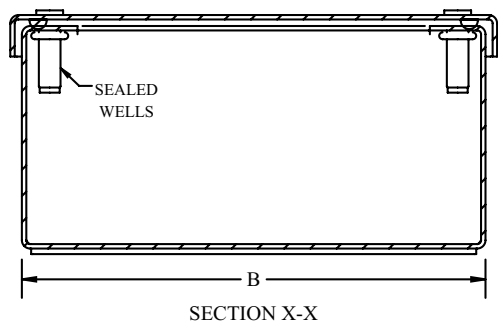
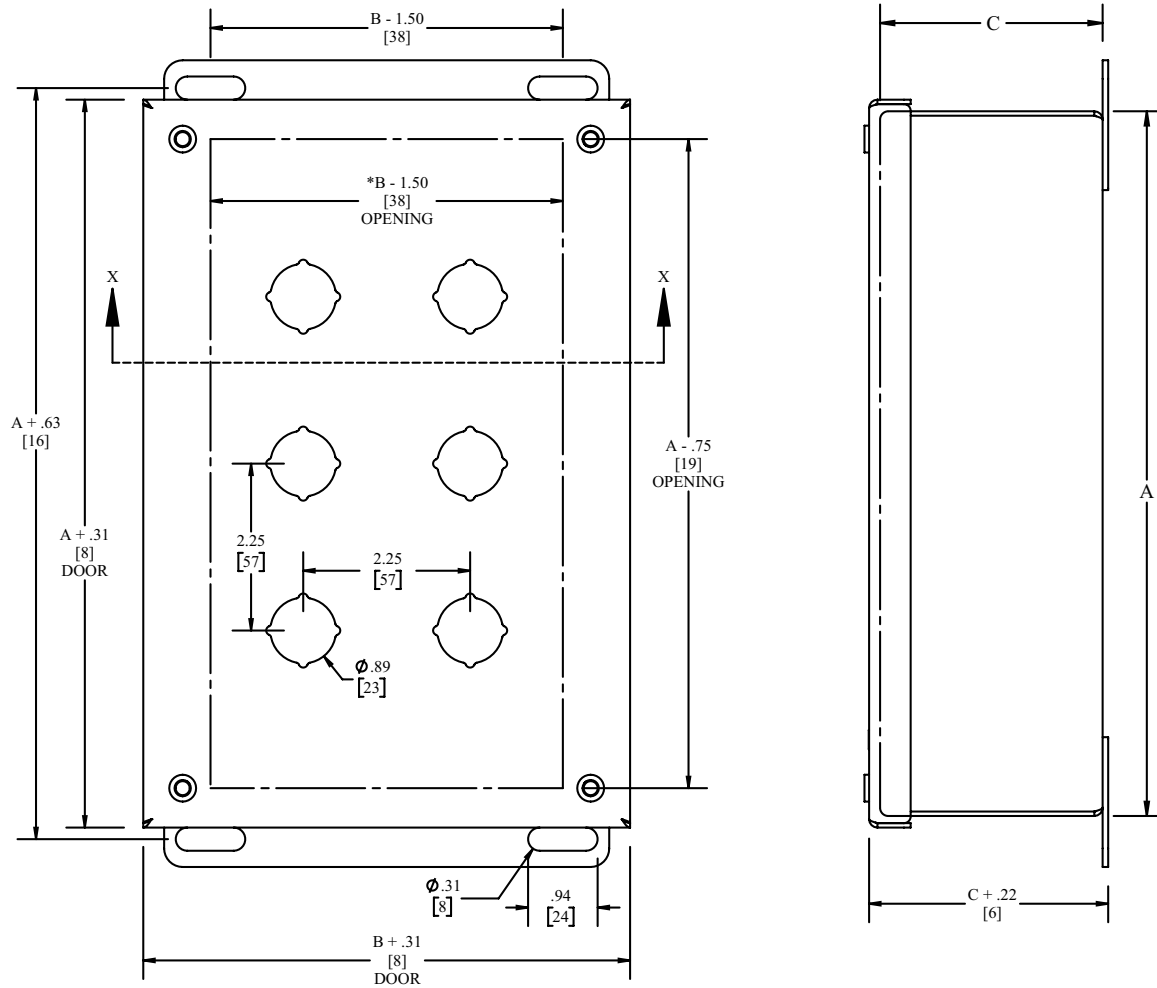
304 STAINLESS STEEL 22.5 mm PUSHBUTTON ENCLOSURES

ENCLOSURE PRODUCT CODE S1					
Catalog No.	Height (A)	Width (B)	Depth (C)	Industry Standard	List Price
SCE-1PBSS6I	3.50	3.25	2.75	IS5	161.26
SCE-1PBXSS6I	4.00	4.00	4.75	IS5	214.80
SCE-2PBSS6I	5.75	3.25	2.75	IS5	201.97
SCE-3PBSS6I	8.00	3.25	2.75	IS5	219.90
SCE-4PBSS6I	10.25	3.25	2.75	IS5	249.20
SCE-4PBXSS6I	10.00	4.00	4.75	IS5	296.46
SCE-4SPBSS6I	7.25	6.25	3.00	IS5	273.64
SCE-6PBSS6I	9.50	6.25	3.00	IS5	327.41
SCE-9PBSS6I	9.50	8.50	3.00	IS5	369.74
SCE-12PBSS6I	11.75	8.50	3.00	IS5	421.87



STAINLESS STEEL 22.5 mm PUSHBUTTON ENCLOSURES

TECHNICAL DATA



NOTE:
*B - .50 [13] WHEN ONE COLUMN OF PUSHBUTTONS

Stainless Steel Extra Large 30.5 mm Hinged Pushbutton Enclosures

Application -

Designed to house standard pushbuttons, switches and pilot lights in wet and hosed down areas and in corrosive atmospheres. For installation information, consult our Installation Manual at www.saginawcontrol.com.

Construction -

- 0.063" stainless steel Type 304 & 316/316L.
- Seams continuously welded and ground smooth.
- Captivated cover screws thread into sealed wells.
- 4-way pushbutton holes accept all brands of oil-tight pushbuttons, switches and pilot lights. Hole diameter 1.20" (30.5 mm).
- Oil-resistant door gasket.
- Provisions for sub-panel.
- Ground stud on door and body.
- Bolt-on continuous hinge with stainless steel hinge pin.
- Welded mounting provision top and bottom of back.

Finish -

#4 brushed finish on all exterior surfaces. Optional sub-panels powder coated white.

IS5 - Industry Standards -

NEMA Type 4, 4X, 12 & Type 13
UL Listed Type 4, 4X & 12
CSA Type 4, 4X & 12
IEC 60529 IP66

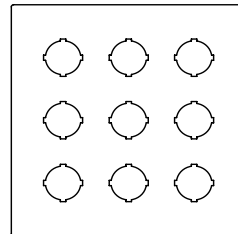


304 STAINLESS STEEL 30.5 mm EXTRA LARGE HINGED PUSHBUTTON ENCLOSURES

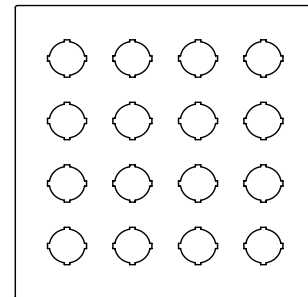
ENCLOSURE PRODUCT CODE S1						SUB-PANEL (P3)			
Catalog No.	Height (A)	Width (B)	Depth (C)	Industry Standard	List Price	Catalog No.	Panel Height (E)	Panel Width (F)	List Price
SCE-9PBHSS	10.13	10.00	6.00	IS5	287.73	SCE-10P10	9.00	9.00	6.73
SCE-16PBHSS	12.13	12.00	6.00	IS5	491.20	SCE-12P12	11.00	11.00	9.08

316 STAINLESS STEEL 30.5 mm EXTRA LARGE HINGED PUSHBUTTON ENCLOSURES

ENCLOSURE PRODUCT CODE S1						SUB-PANEL (P3)			
Catalog No.	Height (A)	Width (B)	Depth (C)	Industry Standard	List Price	Catalog No.	Panel Height (E)	Panel Width (F)	List Price
SCE-9PBHSS6	10.13	10.00	6.00	IS5	345.28	SCE-10P10	9.00	9.00	6.73
SCE-16PBHSS6	12.13	12.00	6.00	IS5	589.44	SCE-12P12	11.00	11.00	9.08



SCE-9PBHSS

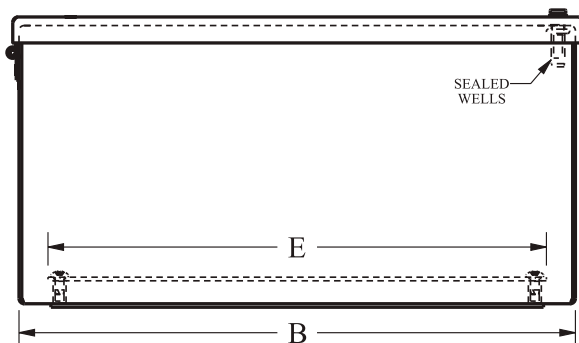
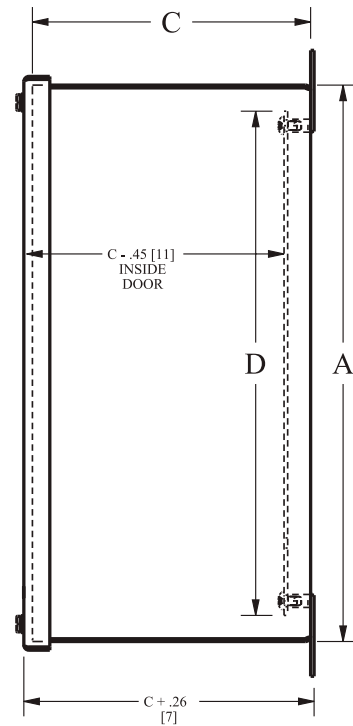
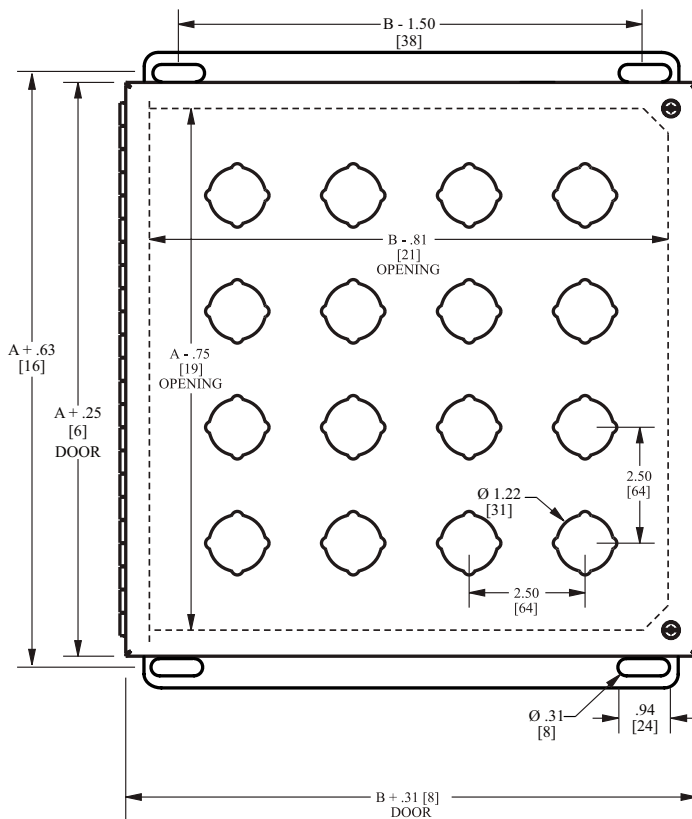


SCE-16PBHSS

Phone (989) 799-6871
Fax (989) 799-4524



STAINLESS STEEL EXTRA LARGE 30.5 mm HINGED PUSHBUTTON ENCLOSURES TECHNICAL DATA



Stainless Steel Extra Large 22.5 mm Hinged Pushbutton Enclosures

Application -

Designed to house standard pushbuttons, switches and pilot lights in wet and hosed down areas and in corrosive atmospheres. For installation information, consult our Installation Manual at www.saginawcontrol.com.

Construction -

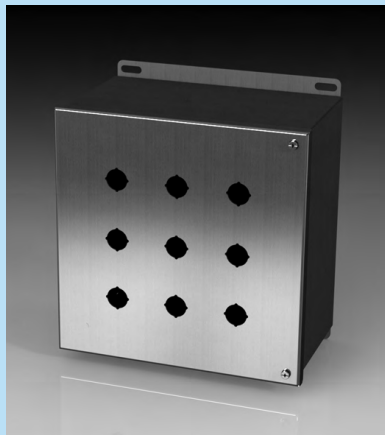
- 0.063" stainless steel Type 304 & 316/316L.
- Seams continuously welded and ground smooth.
- Captivated cover screws thread into sealed wells.
- 4-way pushbutton holes accept all brands of oil-tight pushbuttons, switches and pilot lights. Hole diameter 0.87" (22.5 mm).
- Oil-resistant door gasket.
- Provisions for sub-panel.
- Ground stud on door and body.
- Bolt-on continuous hinge with stainless steel hinge pin.
- Welded mounting provision top and bottom of back.

Finish -

#4 brushed finish on all exterior surfaces. Optional sub-panels powder coated white.

IS5 - Industry Standards -

NEMA Type 4, 4X, 12 & Type 13
UL Listed Type 4, 4X & 12
CSA Type 4, 4X & 12
IEC 60529 IP66

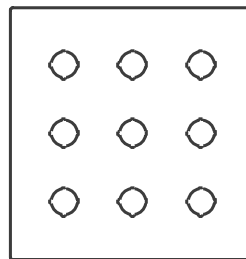


304 STAINLESS STEEL EXTRA LARGE 22.5 mm HINGED PUSHBUTTON ENCLOSURES

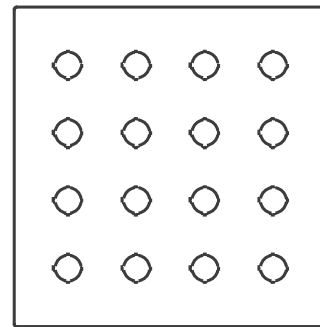
ENCLOSURE PRODUCT CODE S1						SUB-PANEL (P3)			
Catalog No.	Height (A)	Width (B)	Depth (C)	Industry Standard	List Price	Catalog No.	Panel Height (E)	Panel Width (F)	List Price
SCE-9PBHSSI	10.13	10.00	6.00	IS5	287.73	SCE-10P10	9.00	9.00	6.73
SCE-16PBHSSI	12.13	12.00	6.00	IS5	491.20	SCE-12P12	11.00	11.00	9.08

316 STAINLESS STEEL EXTRA LARGE 22.5 mm HINGED PUSHBUTTON ENCLOSURES

ENCLOSURE PRODUCT CODE S1						SUB-PANEL (P3)			
Catalog No.	Height (A)	Width (B)	Depth (C)	Industry Standard	List Price	Catalog No.	Panel Height (E)	Panel Width (F)	List Price
SCE-9PBHSS6I	10.13	10.00	6.00	IS5	345.28	SCE-10P10	9.00	9.00	6.73
SCE-16PBHSS6I	12.13	12.00	6.00	IS5	589.44	SCE-12P12	11.00	11.00	9.08



SCE-9PBHSSI

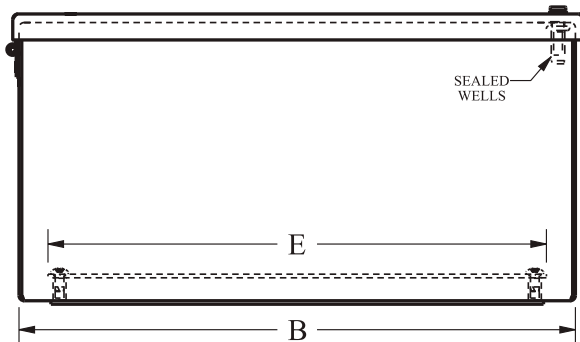
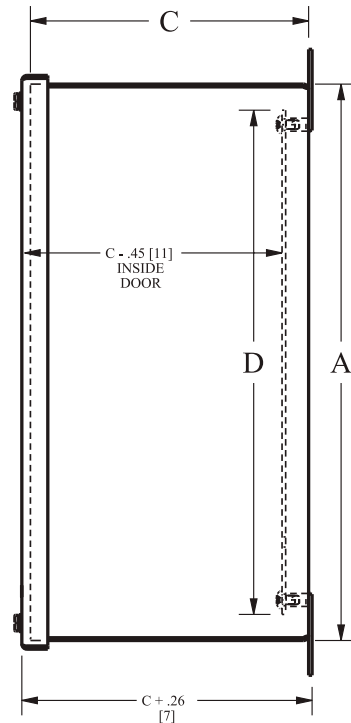
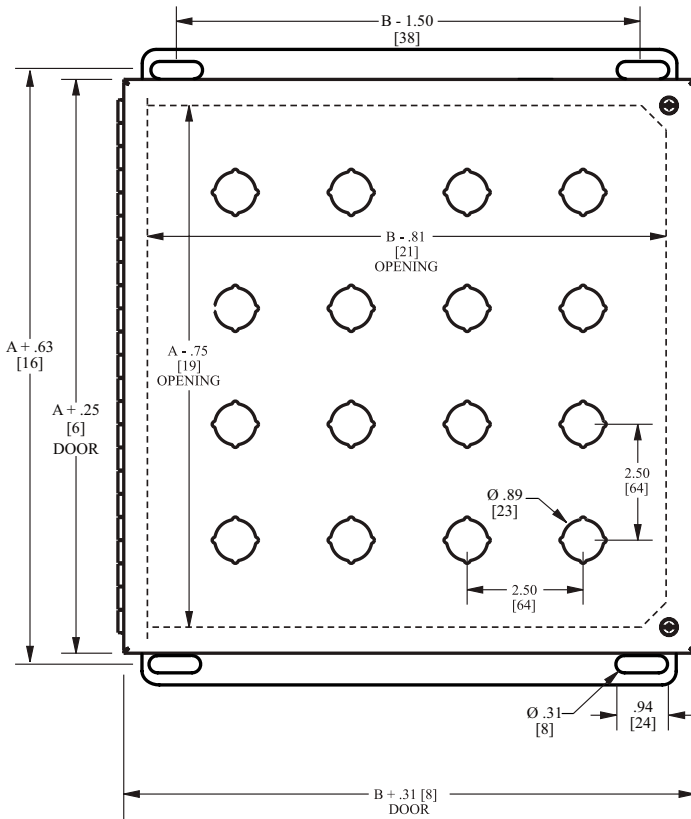


SCE-16PBHSSI

Phone (989) 799-6871
Fax (989) 799-4524



STAINLESS STEEL EXTRA LARGE 22.5 mm HINGED PUSHBUTTON ENCLOSURES TECHNICAL DATA



304 & 316 Stainless Steel EnviroLine® Series Junction Enclosures

Application -

Designed to house electrical controls, instruments and components in areas, which may be regularly hosed down or are in very wet or oily conditions. Provides a degree of protection from dust, dirt, oil, and water. For outdoor application a drip shield is recommended. For installation information, consult our Installation Manual at www.saginawcontrol.com.

Construction -

- 0.063" stainless steel Type 304 & 316/316L.
- Seams continuously welded and ground smooth.
- Flange trough collar around all sides of door opening.
- Oil-resistant gasket.
- Standoffs provided for mounting optional panels.
- Removable hinge.
- Doors open 180 degrees.
- Black mini quarter turn latches.
- Latches are opened or closed with a screwdriver.
- Sealing washers and hole plugs included.
- Ground stud on door & body.
- Mounting feet included.
- Optional latches available.

Finish -

#4 brushed finish on all exterior surfaces. Optional sub-panels powder coated white.

IS6 - Industry Standards -

NEMA Type 3R, 4, 4X, 12 & Type 13
UL Listed Type 3R, 4, 4X & 12
CSA Type 3R, 4, 4X & 12
IEC 60529 IP66

***Special Instructions apply for IS3, IS4 and IS6 to maintain the environmental rating of Type 3R for these parts. See the Special Instructions on the Industry Standards page in the Technical Information Section.

304 STAINLESS STEEL ENVIROLINE® SERIES JUNCTION ENCLOSURES

ENCLOSURE PRODUCT CODE S6						SUB-PANEL (P3)			
Catalog No.	Height (A)	Width (B)	Depth (C)	Industry Standard	List Price	Catalog No.	Panel Height (E)	Panel Width (F)	List Price
SCE-604ELJSS	6.00	4.00	4.00	IS6	135.53	SCE-6P4	5.00	3.00	3.01
SCE-606ELJSS	6.00	6.00	4.00	IS6	169.40	SCE-6P6	5.00	5.00	3.61
SCE-806ELJSS	8.00	6.00	4.00	IS6	176.82	SCE-8P6	7.00	5.00	4.17
SCE-8066ELJSS	8.00	6.00	6.00	IS6	202.17	SCE-8P6	7.00	5.00	4.17
SCE-1008ELJSS	10.00	8.00	4.00	IS6	260.94	SCE-10P8	9.00	7.00	5.70
SCE-10086ELJSS	10.00	8.00	6.00	IS6	290.44	SCE-10P8	9.00	7.00	5.70
SCE-1210ELJSS	12.00	10.00	6.00	IS6	328.93	SCE-12P10	11.00	9.00	7.72
SCE-12108ELJSS	12.00	10.00	8.00	IS6	352.80	SCE-12P10	11.00	9.00	7.72
SCE-1212ELJSS	12.00	12.00	6.00	IS6	355.50	SCE-12P12	11.00	11.00	9.08
SCE-1412ELJSS	14.00	12.00	6.00	IS6	378.21	SCE-14P12	13.00	11.00	10.13
SCE-14128ELJSS	14.00	12.00	8.00	IS6	400.92	SCE-14P12	13.00	11.00	10.13
SCE-1614ELJSS	16.00	14.00	6.00	IS6	444.87	SCE-16P14	15.00	13.00	19.95
SCE-16148ELJSS	16.00	14.00	8.00	IS6	508.38	SCE-16P14	15.00	13.00	19.95

316 STAINLESS STEEL ENVIROLINE® SERIES JUNCTION ENCLOSURES

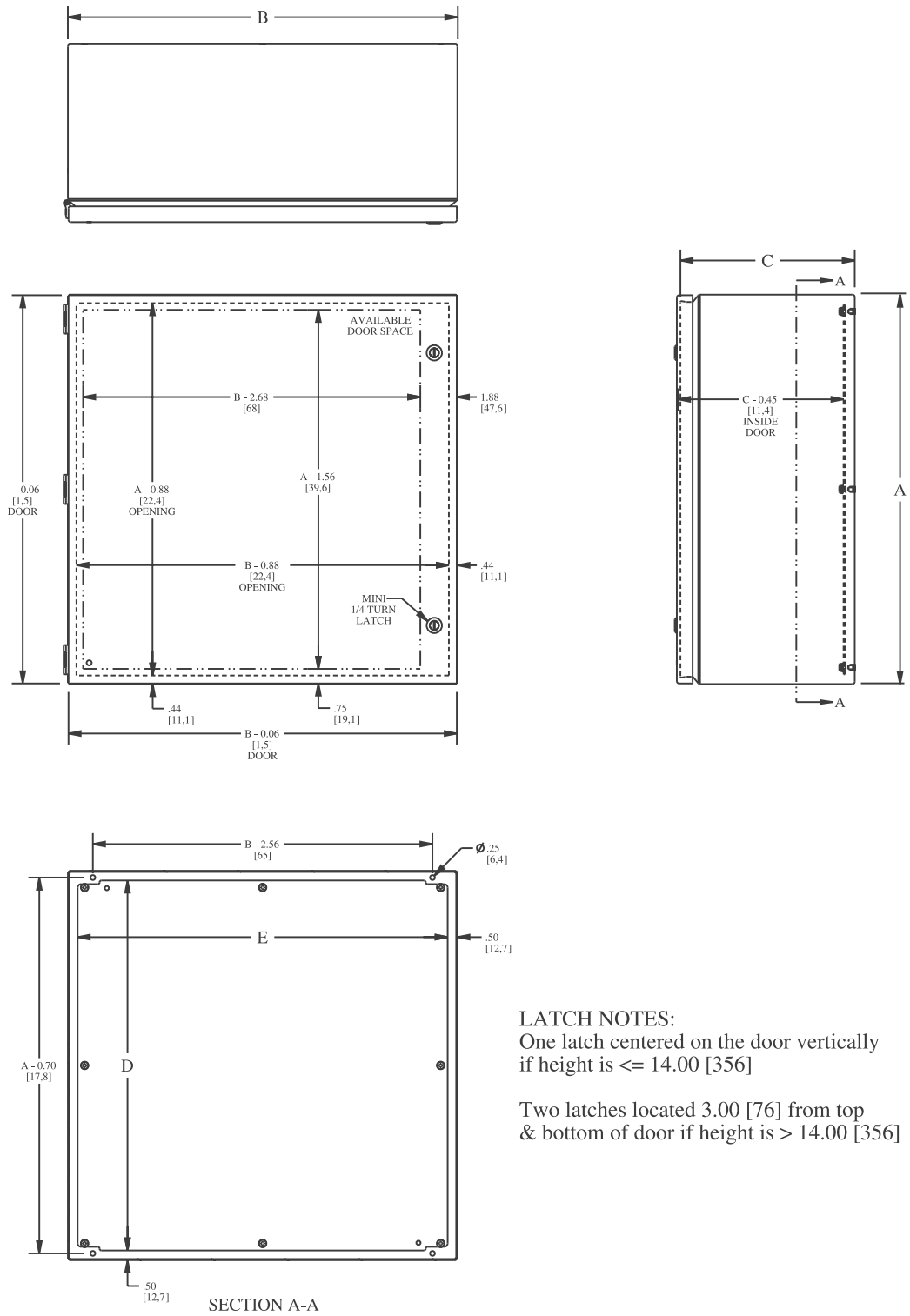
ENCLOSURE PRODUCT CODE S7						SUB-PANEL (P3)			
Catalog No.	Height (A)	Width (B)	Depth (C)	Industry Standard	List Price	Catalog No.	Panel Height (E)	Panel Width (F)	List Price
SCE-604ELJSS6	6.00	4.00	4.00	IS6	162.64	SCE-6P4	5.00	3.00	3.01
SCE-606ELJSS6	6.00	6.00	4.00	IS6	203.28	SCE-6P6	5.00	5.00	3.61
SCE-806ELJSS6	8.00	6.00	4.00	IS6	212.18	SCE-8P6	7.00	5.00	4.17
SCE-8066ELJSS6	8.00	6.00	6.00	IS6	242.60	SCE-8P6	7.00	5.00	4.17
SCE-1008ELJSS6	10.00	8.00	4.00	IS6	313.13	SCE-10P8	9.00	7.00	5.70
SCE-10086ELJSS6	10.00	8.00	6.00	IS6	348.53	SCE-10P8	9.00	7.00	5.70
SCE-1210ELJSS6	12.00	10.00	6.00	IS6	394.72	SCE-12P10	11.00	9.00	7.72
SCE-12108ELJSS6	12.00	10.00	8.00	IS6	423.36	SCE-12P10	11.00	9.00	7.72
SCE-1212ELJSS6	12.00	12.00	6.00	IS6	426.60	SCE-12P12	11.00	11.00	9.08
SCE-1412ELJSS6	14.00	12.00	6.00	IS6	453.85	SCE-14P12	13.00	11.00	10.13
SCE-14128ELJSS6	14.00	12.00	8.00	IS6	481.10	SCE-14P12	13.00	11.00	10.13
SCE-1614ELJSS6	16.00	14.00	6.00	IS6	533.84	SCE-16P14	15.00	13.00	19.95
SCE-16148ELJSS6	16.00	14.00	8.00	IS6	610.06	SCE-16P14	15.00	13.00	19.95



Phone (989) 799-6871
Fax (989) 799-4524



STAINLESS STEEL ENVIROLINE® SERIES JUNCTION ENCLOSURES TECHNICAL DATA



LATCH NOTES:
 One latch centered on the door vertically if height is ≤ 14.00 [356]
 Two latches located 3.00 [76] from top & bottom of door if height is > 14.00 [356]



Phone (989) 799-6871
 Fax (989) 799-4524

304 & 316 Stainless Steel Enviroline® Series Junction Enclosures with Viewing Window

Application -

Designed to house electrical controls, instruments and components that require unrestricted viewing of the gages or controls, in areas, which may be regularly hosed down or are in very wet or oily conditions. Provides a degree of protection from dust, dirt, oil, and water. For outdoor application a drip shield is recommended. For installation information, consult our Installation Manual at www.saginawcontrol.com.

Construction -

- 0.063" stainless steel Type 304 & 316/316L.
- Seams continuously welded and ground smooth.
- Flange trough collar around all sides of door opening.
- Oil-resistant gasket.
- 0.25" polycarbonate viewing window.
- Standoffs provided for mounting optional sub-panels.
- Removable hinge.
- Doors open 180 degrees.
- Black mini quarter turn latches.
- Latches are opened or closed with a screwdriver.
- Sealing washers and hole plugs included.
- Ground stud on door & body.
- Mounting feet included.
- Optional latches available.

Finish -

#4 brushed finish on all exterior surfaces. Optional panels are powder coated white.

Notes -

Recommend use as Type 3R rating in full outdoor exposure and extreme weather environments.

For more details see *Design Considerations When Specifying Your Enclosure* on our website.

IS6 - Industry Standards -

NEMA Type 3R, 4, 4X, 12 & Type 13
UL Listed Type 3R, 4, 4X & 12
CSA Type 3R, 4, 4X & 12
IEC 60529 IP66

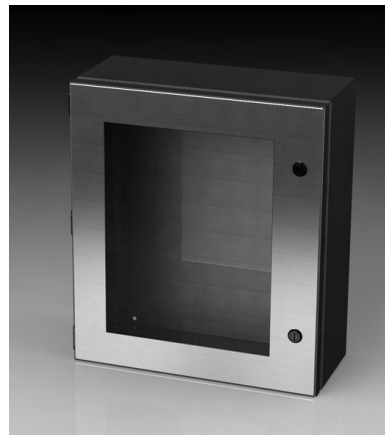
***Special Instructions apply for IS3, IS4 and IS6 to maintain the environmental rating of Type 3R for these parts. See the Special Instructions on the Industry Standards page in the Technical Information Section.

304 Stainless Steel Enviroline® Series Junction Enclosures with Viewing Window

ENCLOSURE PRODUCT CODE S6							SUB-PANEL (P3)	
Catalog No.	Height (A)	Width (B)	Depth (C)	Window Viewing Size	Industry Standard	List Price	Catalog No.	List Price
SCE-1008ELJWSS	10.00	8.00	4.00	6.00 x 3.375	IS6	359.33	SCE-10P8	5.70
SCE-10086ELJWSS	10.00	8.00	6.00	6.00 x 3.375	IS6	378.97	SCE-10P8	5.70
SCE-1210ELJWSS	12.00	10.00	6.00	8.00 x 5.375	IS6	418.25	SCE-12P10	7.72
SCE-12108ELJWSS	12.00	10.00	8.00	8.00 x 5.375	IS6	432.12	SCE-12P10	7.72
SCE-1614ELJWSS	16.00	14.00	6.00	12.00 x 9.375	IS6	563.84	SCE-16P14	19.95
SCE-16148ELJWSS	16.00	14.00	8.00	12.00 x 9.375	IS6	597.34	SCE-16P14	19.95

316 Stainless Steel Enviroline® Series Junction Enclosures with Viewing Window

ENCLOSURE PRODUCT CODE S7							SUB-PANEL (P3)	
Catalog No.	Height (A)	Width (B)	Depth (C)	Window Viewing Size	Industry Standard	List Price	Catalog No.	List Price
SCE-1008ELJWSS6	10.00	8.00	4.00	6.00 x 3.375	IS6	431.20	SCE-10P8	5.70
SCE-10086ELJWSS6	10.00	8.00	6.00	6.00 x 3.375	IS6	454.77	SCE-10P8	5.70
SCE-1210ELJWSS6	12.00	10.00	6.00	8.00 x 5.375	IS6	501.91	SCE-12P10	7.72
SCE-12108ELJWSS6	12.00	10.00	8.00	8.00 x 5.375	IS6	518.54	SCE-12P10	7.72
SCE-1614ELJWSS6	16.00	14.00	6.00	12.00 x 9.375	IS6	676.60	SCE-16P14	19.95
SCE-16148ELJWSS6	16.00	14.00	8.00	12.00 X 9.375	IS6	716.81	SCE-16P14	19.95

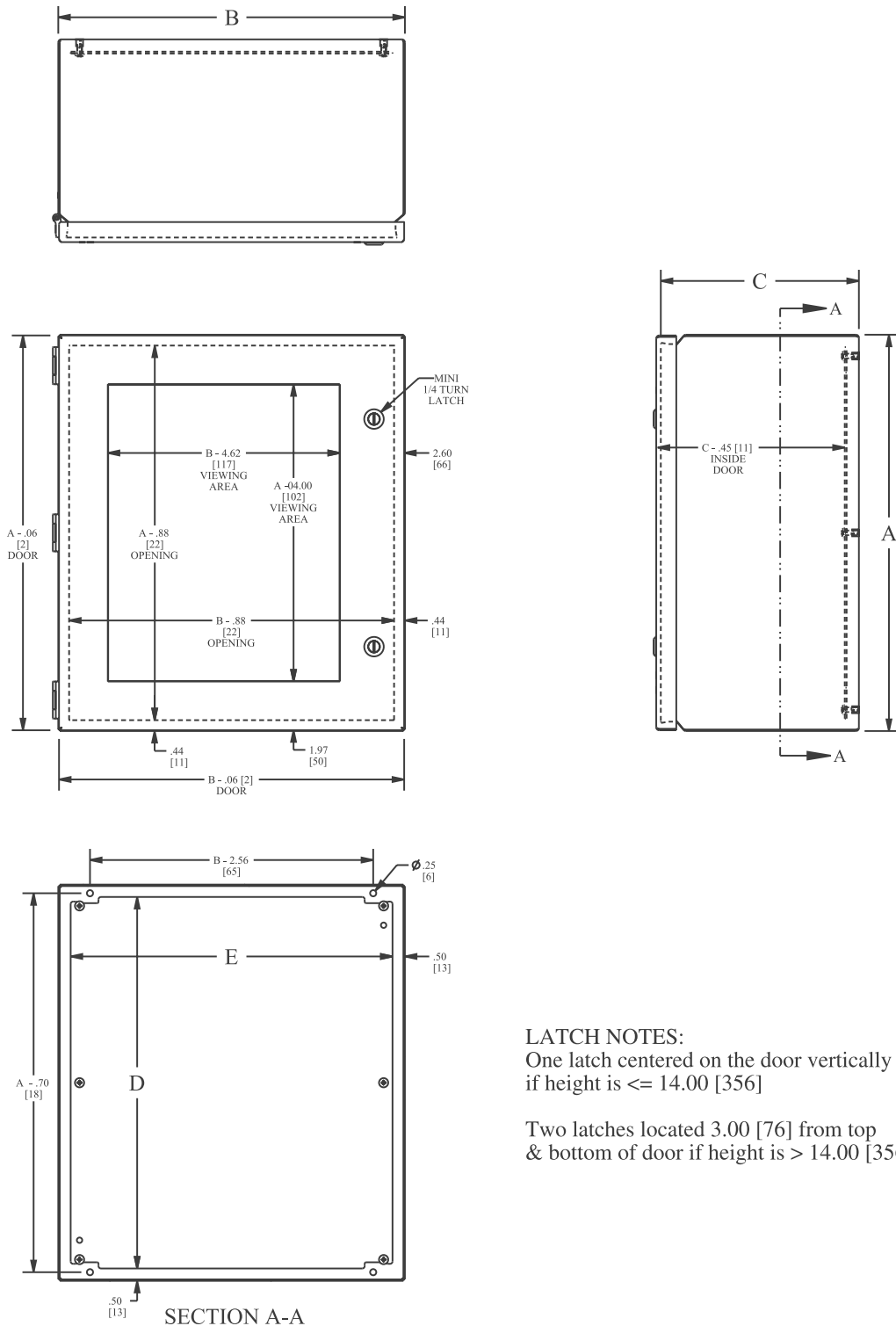


Phone (989) 799-6871
Fax (989) 799-4524



STAINLESS STEEL ENVIROLINE® SERIES JUNCTION ENCLOSURES WITH VIEWING WINDOW

TECHNICAL DATA



LATCH NOTES:
 One latch centered on the door vertically if height is ≤ 14.00 [356]
 Two latches located 3.00 [76] from top & bottom of door if height is > 14.00 [356]

Enviroline® Series Trough Junction Enclosures

Application -

Designed to house electrical controls, instruments and components used in an indoor or outdoor environment to provide a degree of protection for the equipment inside the enclosure against ingress of solid foreign objects (falling dirt); and provide a degree of protection with respect to the harmful effects on the equipment due to the ingress of water (rain, sleet, snow). For installation information, consult our Installation Manual at www.saginawcontrol.com.

Construction -

- 0.063" stainless steel Type 304.
- Seams continuously welded and ground smooth.
- Flange trough collar around all sides of door opening.
- Oil-resistant gasket.
- Standoffs provided for mounting optional sub-panels.
- Removable hinges.
- Doors open 180 degrees.
- Black mini quarter turn latches.
- Latches are opened or closed with a screwdriver.
- Sealing washers and hole plugs included.
- Ground stud on door and body.
- Mounting feet included.
- Padlocking or keylocking latches, and tamper-resistant hardware is available.

Finish -

#4 brushed finish on all exterior surfaces. Optional sub-panels powder coated white.

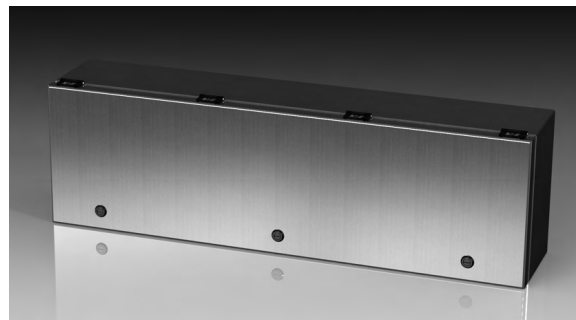
IS6 - Industry Standards -

NEMA Type 3R, 4, 4X, 12 & Type 13
UL Listed Type 3R, 4, 4X & 12
CSA Type 3R, 4, 4X & 12
IEC 60529 IP66

***Special Instructions apply for IS3, IS4 and IS6 to maintain the environmental rating of Type 3R for these parts. See the Special Instructions on the Industry Standards page in the Technical Information Section.

STAINLESS STEEL ENVIROLINE® SERIES TROUGH JUNCTION ENCLOSURES

ENCLOSURE PRODUCT CODE S6						SUB-PANEL (P3)			
Catalog No.	Height (A)	Width (B)	Depth (C)	Industry Standard	List Price	Catalog No.	Panel Height (E)	Panel Width (F)	List Price
SCE-L9126ELJSS	9.00	12.00	6.00	IS6	646.71	SCE-9P12L	8.00	11.00	18.86
SCE-L9128ELJSS	9.00	12.00	8.00	IS6	685.51	SCE-9P12L	8.00	11.00	18.86
SCE-L9186ELJSS	9.00	18.00	6.00	IS6	718.82	SCE-9P18L	8.00	17.00	26.63
SCE-L9188ELJSS	9.00	18.00	8.00	IS6	761.95	SCE-9P18L	8.00	17.00	26.63
SCE-L9246ELJSS	9.00	24.00	6.00	IS6	724.61	SCE-9P24L	8.00	23.00	29.14
SCE-L9248ELJSS	9.00	24.00	8.00	IS6	768.09	SCE-9P24L	8.00	23.00	29.14
SCE-L9306ELJSS	9.00	30.00	6.00	IS6	786.43	SCE-9P30L	8.00	29.00	31.92
SCE-L9308ELJSS	9.00	30.00	8.00	IS6	833.62	SCE-9P30L	8.00	29.00	31.92
SCE-L9366ELJSS	9.00	36.00	6.00	IS6	844.61	SCE-9P36L	8.00	35.00	34.97
SCE-L9368ELJSS	9.00	36.00	8.00	IS6	895.29	SCE-9P36L	8.00	35.00	34.97



Phone (989) 799-6871
Fax (989) 799-4524



Stainless Steel Enviroline® Series Trough Junction Enclosures with Viewing Window

Application -

Designed to house electrical controls, drives, instruments and components used in an indoor or outdoor environment to provide a degree of protection for the equipment inside the enclosure against ingress of solid foreign objects (falling dirt); and provide a degree of protection with respect to the harmful effects on the equipment due to the ingress of water (rain, sleet, snow). For installation information, consult our Installation Manual at www.saginawcontrol.com.

Construction -

- 0.063" stainless steel Type 304.
- Seams continuously welded and ground smooth.
- Flange trough collar around all sides of door opening.
- Large viewing windows.
- Oil-resistant gasket.
- Standoffs provided for mounting optional sub-panels.
- Removable hinges.
- Doors open 180 degrees.
- Black mini quarter turn latches.
- Latches are opened or closed with a screwdriver.
- Sealing washers and hole plugs included.
- Ground stud on door and body.
- Mounting holes in back.
- Mounting feet included.
- Padlocking or keylocking latches, and tamper-resistant hardware is available.

Finish -

#4 brushed finish on all exterior surfaces. Optional sub-panels powder coated white.

Notes -

Recommend use as Type 3R rating in full outdoor exposure and extreme weather environments.

For more details see *Design Considerations When Specifying Your Enclosure* on our website.

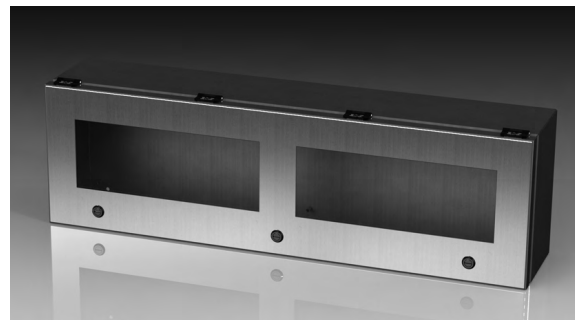
IS6 - Industry Standards -

NEMA Type 3R, 4, 4X, 12 & Type 13
UL Listed Type 3R, 4, 4X & 12
CSA Type 3R, 4, 4X & 12
IEC 60529 IP66

***Special Instructions apply for IS3, IS4 and IS6 to maintain the environmental rating of Type 3R for these parts. See the Special Instructions on the Industry Standards page in the Technical Information Section.

STAINLESS STEEL ENVIROLINE® SERIES TROUGH JUNCTION ENCLOSURES WITH VIEWING WINDOW

ENCLOSURE PRODUCT CODE S6						SUB-PANEL (P3)			
Catalog No.	Height (A)	Width (B)	Depth (C)	Industry Standard	List Price	Catalog No.	Panel Height (E)	Panel Width (F)	List Price
SCE-L9126ELJWSS	9.00	12.00	6.00	IS6	933.54	SCE-9P12L	8.00	11.00	18.86
SCE-L9128ELJWSS	9.00	12.00	8.00	IS6	989.55	SCE-9P12L	8.00	11.00	18.86
SCE-L9186ELJWSS	9.00	18.00	6.00	IS6	942.86	SCE-9P18L	8.00	17.00	26.63
SCE-L9188ELJWSS	9.00	18.00	8.00	IS6	999.43	SCE-9P18L	8.00	17.00	26.63
SCE-L9246ELJWSS	9.00	24.00	6.00	IS6	1,028.89	SCE-9P24L	8.00	23.00	29.14
SCE-L9248ELJWSS	9.00	24.00	8.00	IS6	1,090.62	SCE-9P24L	8.00	23.00	29.14
SCE-L9306ELJWSS	9.00	30.00	6.00	IS6	1,039.07	SCE-9P30L	8.00	29.00	31.92
SCE-L9308ELJWSS	9.00	30.00	8.00	IS6	1,101.41	SCE-9P30L	8.00	29.00	31.92
SCE-L9366ELJWSS	9.00	36.00	6.00	IS6	1,049.68	SCE-9P36L	8.00	35.00	34.97
SCE-L9368ELJWSS	9.00	36.00	8.00	IS6	1,112.66	SCE-9P36L	8.00	35.00	34.97



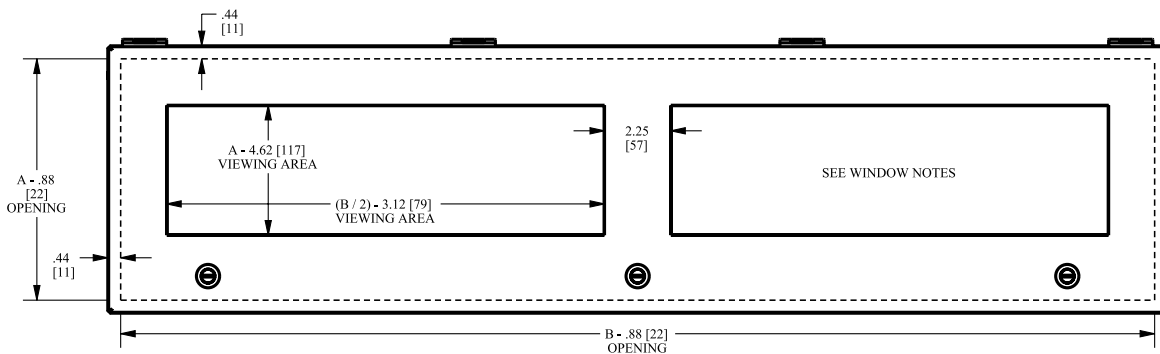
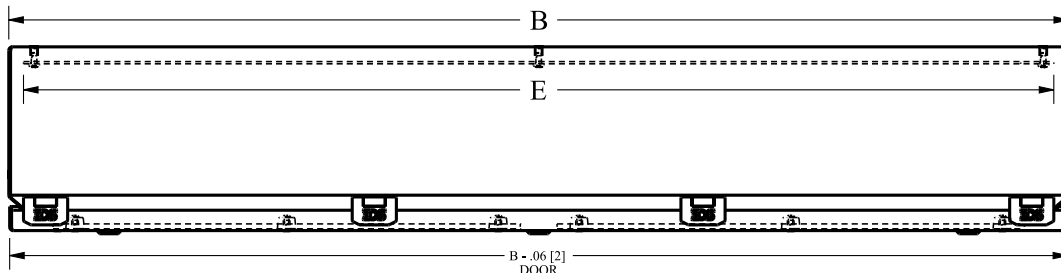
Phone (989) 799-6871

Fax (989) 799-4524



STAINLESS STEEL ENVIROLINE® SERIES TROUGH JUNCTION ENCLOSURES WITH VIEWING WINDOW

TECHNICAL DATA



LATCH NOTES:

One latch centered on door horizontally if width is ≤ 14.00 [356]

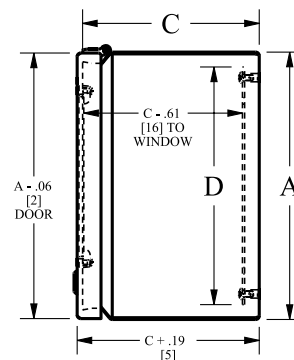
Two latches located 3.00 [76] from sides of door if width is > 14.00 [356]

An Additional latch is centered horizontally if width is > 20.00 [508]

WINDOW NOTES:

Door has a single window when viewing area width is ≤ 16.00 [406]

Door has two windows if viewing area width would be > 16.00 for a single window.



304 & 316 Stainless Steel Continuous Hinge Enclosures

Application -

Designed for use as electrical junction boxes, terminal wiring boxes, instrument housings, and electrical control enclosures. For use in wet and hosed down areas and in corrosive atmospheres. For installation information, consult our Installation Manual at www.saginawcontrol.com.

Construction -

- 0.063" stainless steel Type 304 & 316/316L.
- Seams continuously welded and ground smooth.
- Stainless steel continuous hinge.
- Stainless steel external screw clamps are quick and easy to operate.
- Oil-resistant door gasket.
- Ground stud on door and body.
- Standoffs provided for mounting optional sub-panels.
- Welded mounting provision top and bottom of back.

Finish -

#4 brushed finish on all exterior surfaces. Optional sub-panels powder coated white.

IS6 - Industry Standards -

NEMA Type 3R, 4, 4X, 12 & Type 13
UL Listed Type 3R, 4, 4X & 12
CSA Type 3R, 4, 4X & 12
IEC 60529 IP66

***Special Instructions apply for IS3, IS4 and IS6 to maintain the environmental rating of Type 3R for these parts. See the Special Instructions on the Industry Standards page in the Technical Information Section.



304 STAINLESS STEEL CONTINUOUS HINGE ENCLOSURES

ENCLOSURE PRODUCT CODE S1						SUB-PANEL (P3)			
Catalog No.	Height (A)	Width (B)	Depth (C)	Industry Standard	List Price	Catalog No.	Panel Height (E)	Panel Width (F)	List Price
SCE-6044CHNFSS	6.13	4.00	4.00	IS6	176.45	SCE-6P4	5.00	3.00	3.01
SCE-606CHNFSS	6.13	6.00	4.00	IS6	220.89	SCE-6P6	5.00	5.00	3.61
SCE-8064CHNFSS	8.13	6.00	4.00	IS6	229.90	SCE-8P6	7.00	5.00	4.17
SCE-1008CHNFSS	10.13	8.00	4.00	IS6	332.84	SCE-10P8	9.00	7.00	5.70
SCE-10086CHNFSS	10.13	8.00	6.00	IS6	364.04	SCE-10P8	9.00	7.00	5.70
SCE-12106CHNFSS	12.13	10.00	6.00	IS6	411.42	SCE-12P10	11.00	9.00	7.72
SCE-12108CHNFSS	12.13	10.00	8.00	IS6	438.43	SCE-12P10	11.00	9.00	7.72
SCE-1212CHNFSS	12.13	12.00	6.00	IS6	440.78	SCE-12P12	11.00	11.00	9.08
SCE-1412CHNFSS	14.13	12.00	6.00	IS6	465.15	SCE-14P12	13.00	11.00	10.13
SCE-1614CHNFSS	16.13	14.00	6.00	IS6	548.38	SCE-16P14	15.00	13.00	19.95
SCE-16148CHNFSS	16.13	14.00	8.00	IS6	608.14	SCE-16P14	15.00	13.00	19.95

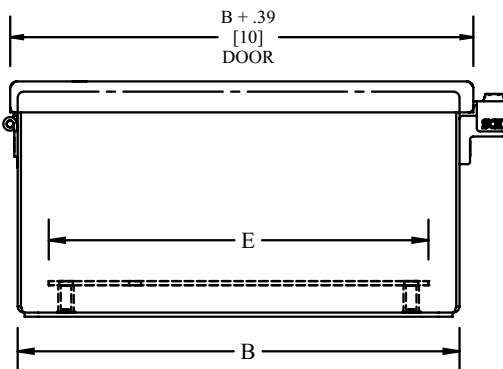
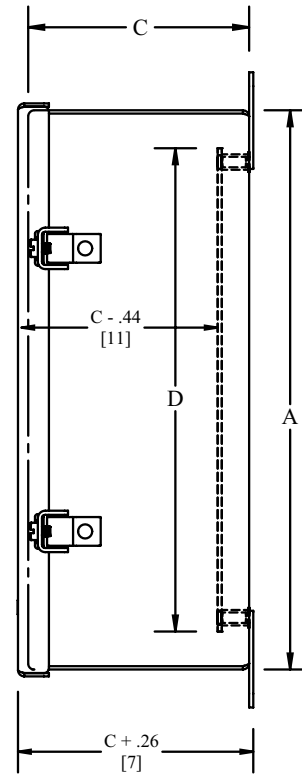
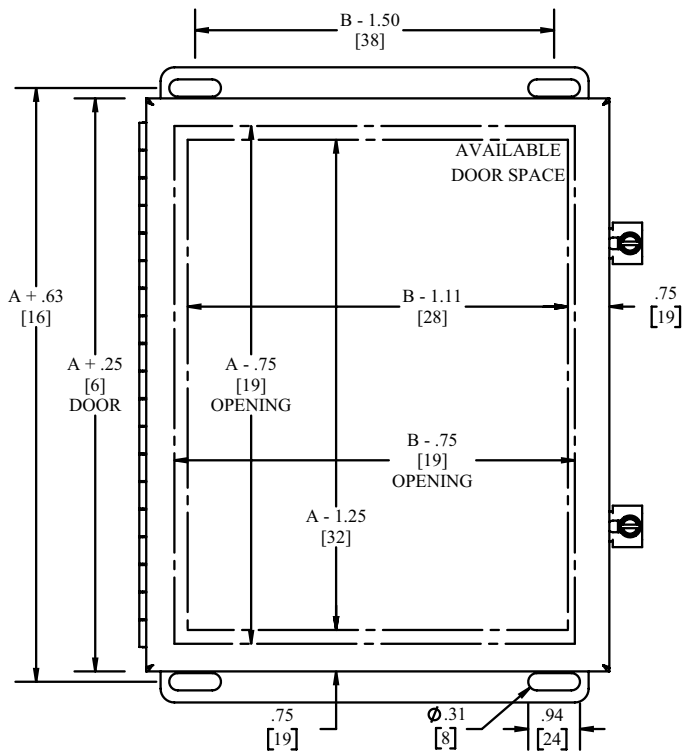
316 STAINLESS STEEL CONTINUOUS HINGE ENCLOSURES

ENCLOSURE PRODUCT CODE S7						SUB-PANEL (P3)			
Catalog No.	Height (A)	Width (B)	Depth (C)	Industry Standard	List Price	Catalog No.	Panel Height (E)	Panel Width (F)	List Price
SCE-6044CHNFSS6	6.13	4.00	4.00	IS6	211.74	SCE-6P4	5.00	3.00	3.01
SCE-606CHNFSS6	6.13	6.00	4.00	IS6	241.06	SCE-6P6	5.00	5.00	3.61
SCE-8064CHNFSS6	8.13	6.00	4.00	IS6	263.88	SCE-8P6	7.00	5.00	4.17
SCE-1008CHNFSS6	10.13	8.00	4.00	IS6	389.42	SCE-10P8	9.00	7.00	5.70
SCE-10086CHNFSS6	10.13	8.00	6.00	IS6	425.88	SCE-10P8	9.00	7.00	5.70
SCE-12106CHNFSS6	12.13	10.00	6.00	IS6	457.71	SCE-12P10	11.00	9.00	7.72
SCE-12108CHNFSS6	12.13	10.00	8.00	IS6	526.12	SCE-12P10	11.00	9.00	7.72
SCE-1212CHNFSS6	12.13	12.00	6.00	IS6	504.94	SCE-12P12	11.00	11.00	9.08
SCE-1412CHNFSS6	14.13	12.00	6.00	IS6	552.19	SCE-14P12	13.00	11.00	10.13
SCE-1614CHNFSS6	16.13	14.00	6.00	IS6	658.05	SCE-16P14	15.00	13.00	19.95
SCE-16148CHNFSS6	16.13	14.00	8.00	IS6	680.46	SCE-16P14	15.00	13.00	19.95

Phone (989) 799-6871
Fax (989) 799-4524



STAINLESS STEEL CONTINUOUS HINGE ENCLOSURES TECHNICAL DATA



NOTE:
SUB-PANEL MUST BE ORDERED SEPARATELY.

CLAMPING NOTE:
ENCLOSURES < 10.00 [254] IN HEIGHT REQUIRE
ONE CLAMP CENTERED VERTICALLY ON DOOR.

Stainless Steel Enviroline® Series Wall-Mount Enclosures with 3-Point Hardware

Application -

Designed to house electrical and electronic controls, instrumentation and components in indoor or outdoor locations. For outdoor applications a drip shield is recommended. For installation information, consult our Installation Manual at www.saginawcontrol.com.

Construction -

- 0.075" stainless steel Type 304 & 316/316L.
- Seams continuously welded and ground smooth.
- Flange trough collar around all sides of door opening.
- Collar studs provided for mounting optional sub-panels.
- Mounting holes in back of the enclosure for wall mounting.
- Mounting hardware, sealing washers and hole plugs included.
- Stainless steel concealed hinges.
- Removable and interchangeable doors.
- Black zinc die cast keylocking/padlocking handles.
- 3-point latching mechanism.
- Black quarter turn latches as required.
- Removable print pocket.
- Oil and water resistant gasket.
- Ground stud on door and body.

Finish -

#4 brushed finish on all exterior surfaces. Optional sub-panels powder coated white.

IS6 - Industry Standards -

NEMA Type 3R, 4, 4X, 12 & Type 13
UL Listed Type 3R, 4, 4X & 12
CSA Type 3R, 4, 4X & 12
IEC 60529 IP66

***Special Instructions apply for IS3, IS4 and IS6 to maintain the environmental rating of Type 3R for these parts. See the Special Instructions on the Industry Standards page in the Technical Information Section.

304 STAINLESS STEEL ENVIROLINE® SERIES WALL-MOUNT ENCLOSURES WITH 3-POINT HARDWARE

ENCLOSURE PRODUCT CODE S9						SUB-PANEL (P3)			
Catalog No.	Height (A)	Width (B)	Depth (C)	Industry Standard	List Price	Catalog No.	Panel Height (E)	Panel Width (F)	List Price
SCE-24EL2010SSLPPL	24.00	20.00	10.00	IS6	1,119.15	SCE-24P20	21.00	17.00	45.57
SCE-24EL2410SSLPPL	24.00	24.00	10.00	IS6	1,218.22	SCE-24P24	21.00	21.00	53.18
SCE-30EL2412SSLPPL	30.00	24.00	12.00	IS6	1,454.07	SCE-30P24	27.00	21.00	63.29
SCE-30EL3012SSLPPL	30.00	30.00	12.00	IS6	1,630.53	SCE-30P30	27.00	27.00	83.55
SCE-36EL2412SSLPPL	36.00	24.00	12.00	IS6	1,611.48	SCE-36P24	33.00	21.00	75.96
SCE-36EL3012SSLPPL	36.00	30.00	12.00	IS6	1,829.72	SCE-36P30	33.00	27.00	101.27
SCE-36EL3612SSLPPL	36.00	36.00	12.00	IS6	2,059.70	SCE-36P30	33.00	27.00	101.27
SCE-42EL3612SSLPPL	42.00	36.00	12.00	IS6	2,227.75	SCE-42P36	39.00	33.00	136.72
SCE-48EL3612SSLPPL	48.00	36.00	12.00	IS6	2,458.17	SCE-48P36	45.00	33.00	154.46
SCE-48EL3616SSLPPL	48.00	36.00	16.00	IS6	2,681.29	SCE-48P36	45.00	33.00	154.46
SCE-60EL3612SSLPPL	60.00	36.00	12.00	IS6	2,881.32	SCE-60P36	57.00	33.00	189.89
SCE-60EL3616SSLPPL	60.00	36.00	16.00	IS6	3,108.87	SCE-60P36	57.00	33.00	189.89
SCE-60EL3624SSLPPL	60.00	36.00	24.00	IS6	3,716.74	SCE-60P36	57.00	33.00	189.89
SCE-72EL3624SSLPPL	72.00	36.00	24.00	IS6	4,517.69	SCE-72P36	69.00	33.00	225.33

316 STAINLESS STEEL ENVIROLINE® SERIES WALL-MOUNT ENCLOSURES WITH 3-POINT HARDWARE

ENCLOSURE PRODUCT CODE S7						SUB-PANEL (P3)			
Catalog No.	Height (A)	Width (B)	Depth (C)	Industry Standard	List Price	Catalog No.	Panel Height (E)	Panel Width (F)	List Price
SCE-24EL2010SS6LPPL	24.00	20.00	10.00	IS6	1,342.98	SCE-24P20	21.00	17.00	45.57
SCE-24EL2410SS6LPPL	24.00	24.00	10.00	IS6	1,461.86	SCE-24P24	21.00	21.00	53.18
SCE-30EL2412SS6LPPL	30.00	24.00	12.00	IS6	1,744.88	SCE-30P24	27.00	21.00	63.29
SCE-30EL3012SS6LPPL	30.00	30.00	12.00	IS6	1,956.64	SCE-30P30	27.00	27.00	83.55
SCE-36EL2412SS6LPPL	36.00	24.00	12.00	IS6	1,933.78	SCE-36P24	33.00	21.00	75.96
SCE-36EL3012SS6LPPL	36.00	30.00	12.00	IS6	2,195.66	SCE-36P30	33.00	27.00	101.27
SCE-42EL3612SS6LPPL	42.00	36.00	12.00	IS6	2,673.30	SCE-42P36	39.00	33.00	136.72
SCE-60EL3612SS6LPPL	60.00	36.00	12.00	IS6	3,457.58	SCE-60P36	57.00	33.00	189.89

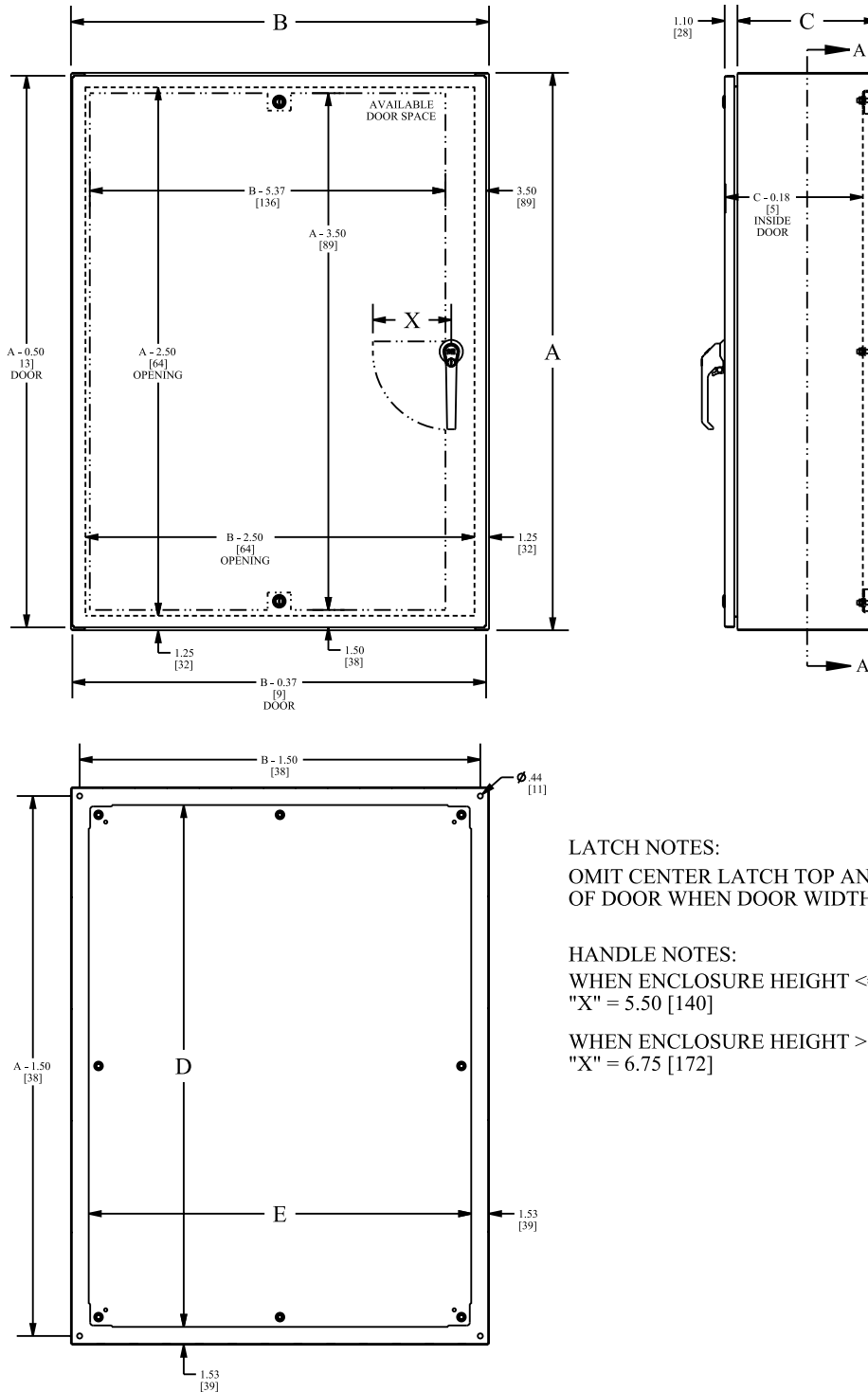


Phone (989) 799-6871
Fax (989) 799-4524



STAINLESS STEEL ENVIROLINE® SERIES WALL-MOUNT ENCLOSURES WITH 3-POINT HARDWARE

TECHNICAL DATA



LATCH NOTES:
 OMIT CENTER LATCH TOP AND BOTTOM
 OF DOOR WHEN DOOR WIDTH IS < 30.00 [762]

HANDLE NOTES:
 WHEN ENCLOSURE HEIGHT ≤ 42.00 [1067]
 "X" = 5.50 [140]

WHEN ENCLOSURE HEIGHT > 42.00 [1067]
 "X" = 6.75 [172]

304 Stainless Steel EnviroLine® Series Enclosures

Application -

Designed to house electrical and electronic controls, instruments and components in areas which may be regularly hosed down or are in very wet conditions. Provides a degree of protection from dust, dirt, oil, and water. For outdoor application a drip shield is recommended. For installation information, consult our Installation Manual at www.saginawcontrol.com.

Construction -

- 0.075" stainless steel Type 304.
- Seams continuously welded and ground smooth.
- Flange trough collar around all sides of door opening.
- Oil-resistant gasket.
- Collar studs provided for mounting optional sub-panels.
- Stainless steel concealed hinges.
- Removable and interchangeable doors.
- Black quarter turn latches.
- Latches are opened or closed with a screwdriver (optional tamper-resistant inserts are available).
- Mounting holes in back of enclosure.
- Mounting hardware, sealing washers and hole plugs included.
- Removable print pocket furnished if height and width of enclosure is greater than 12".
- Ground studs on door and body.

Options -

- Optional mounting feet available.
- Door hardware available.

Finish -

#4 brushed finish on all exterior surfaces. Optional sub-panels powder coated white.

IS6 - Industry Standards -

NEMA Type 3R, 4, 4X, 12 & Type 13
UL Listed Type 3R, 4, 4X & 12
CSA Type 3R, 4, 4X & 12
IEC 60529 IP66

***Special Instructions apply for IS3, IS4 and IS6 to maintain the environmental rating of Type 3R for these parts. See the Special Instructions on the Industry Standards page in the Technical Information Section.

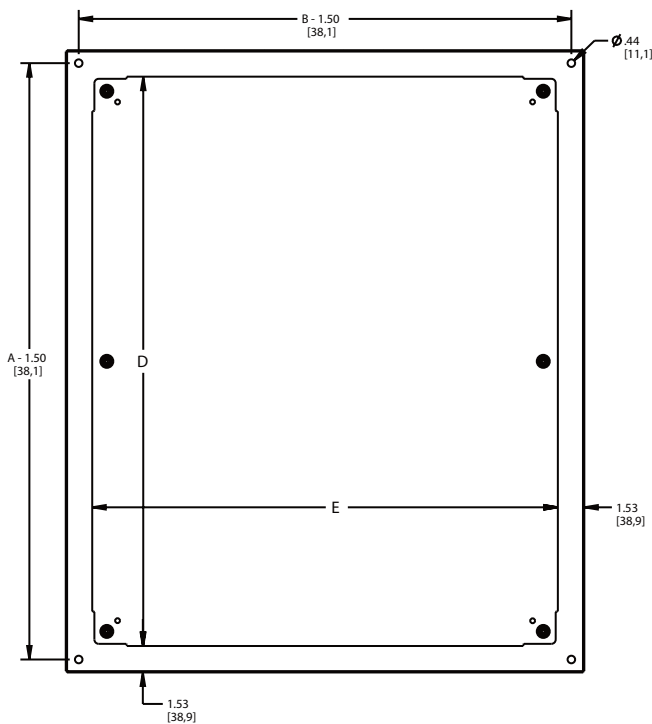
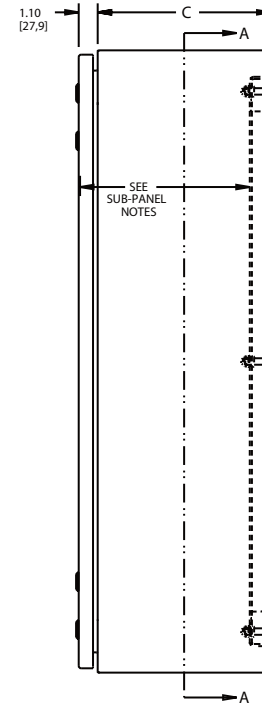
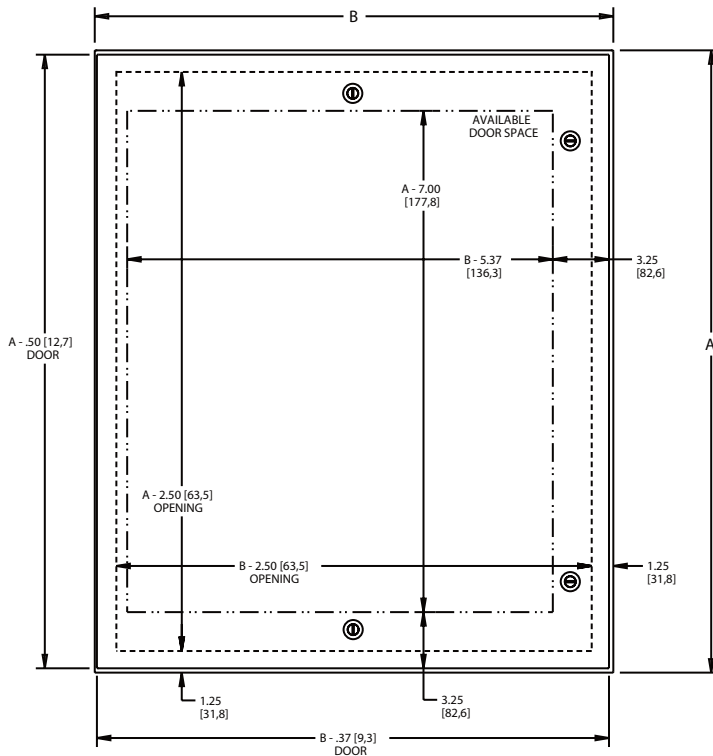


304 STAINLESS STEEL ENVIROLINE® SERIES ENCLOSURES

ENCLOSURE PRODUCT CODE S5						SUB-PANEL (P3)			
Catalog No.	Height (A)	Width (B)	Depth (C)	Industry Standard	List Price	Catalog No.	Panel Height (E)	Panel Width (F)	List Price
SCE-12EL1206SSLP	12.00	12.00	6.00	IS6	536.16	SCE-12DLP12	9.00	9.00	13.67
SCE-12EL2406SSLP	12.00	24.00	6.00	IS6	712.62	SCE-12P24	9.00	21.00	27.86
SCE-16EL1206SSLP	16.00	12.00	6.00	IS6	590.45	SCE-16P12	13.00	9.00	14.81
SCE-16EL1208SSLP	16.00	12.00	8.00	IS6	631.18	SCE-16P12	13.00	9.00	14.81
SCE-16EL1606SSLP	16.00	16.00	6.00	IS6	654.26	SCE-16P16	13.00	13.00	24.57
SCE-16EL1608SSLP	16.00	16.00	8.00	IS6	688.19	SCE-16P16	13.00	13.00	24.57
SCE-16EL2008SSLP	16.00	20.00	8.00	IS6	770.98	SCE-20P16	17.00	13.00	30.37
SCE-20EL1606SSLP	20.00	16.00	6.00	IS6	726.19	SCE-20P16	17.00	13.00	30.37
SCE-20EL1608SSLP	20.00	16.00	8.00	IS6	770.98	SCE-20P16	17.00	13.00	30.37
SCE-20EL1610SSLP	20.00	16.00	10.00	IS6	822.57	SCE-20P16	17.00	13.00	30.37
SCE-20EL2006SSLP	20.00	20.00	6.00	IS6	794.06	SCE-20P20	17.00	17.00	35.44
SCE-20EL2008SSLP	20.00	20.00	8.00	IS6	853.79	SCE-20P20	17.00	17.00	35.44
SCE-20EL2010SSLP	20.00	20.00	10.00	IS6	909.44	SCE-20P20	17.00	17.00	35.44
SCE-20EL2408SSLP	20.00	24.00	8.00	IS6	933.87	SCE-24P20	21.00	17.00	45.57
SCE-24EL1608SSLP	24.00	16.00	8.00	IS6	840.20	SCE-24P16	21.00	13.00	32.92
SCE-24EL2006SSLP	24.00	20.00	6.00	IS6	890.43	SCE-24P20	21.00	17.00	45.57
SCE-24EL2008SSLP	24.00	20.00	8.00	IS6	933.87	SCE-24P20	21.00	17.00	45.57
SCE-24EL2010SSLP	24.00	20.00	10.00	IS6	997.67	SCE-24P20	21.00	17.00	45.57
SCE-24EL2012SSLP	24.00	20.00	12.00	IS6	1,058.74	SCE-24P20	21.00	17.00	45.57
SCE-24EL2408SSLP	24.00	24.00	8.00	IS6	1,026.17	SCE-24P24	21.00	21.00	53.18
SCE-24EL2410SSLP	24.00	24.00	10.00	IS6	1,096.74	SCE-24P24	21.00	21.00	53.18
SCE-24EL2412SSLP	24.00	24.00	12.00	IS6	1,167.34	SCE-24P24	21.00	21.00	53.18
SCE-24EL2416SSLP	24.00	24.00	16.00	IS6	1,323.43	SCE-24P24	21.00	21.00	53.18
SCE-24EL3008SSLP	24.00	30.00	8.00	IS6	1,165.97	SCE-30P24	27.00	21.00	63.29
SCE-24EL3010SSLP	24.00	30.00	10.00	IS6	1,254.20	SCE-30P24	27.00	21.00	63.29
SCE-30EL1606SSLP	30.00	16.00	6.00	IS6	977.30	SCE-30P16	27.00	13.00	45.57
SCE-30EL2008SSLP	30.00	20.00	8.00	IS6	1,058.74	SCE-30P20	27.00	17.00	55.70
SCE-30EL2010SSLP	30.00	20.00	10.00	IS6	1,146.97	SCE-30P20	27.00	17.00	55.70
SCE-30EL2408SSLP	30.00	24.00	8.00	IS6	1,167.34	SCE-30P24	27.00	21.00	63.29
SCE-30EL2410SSLP	30.00	24.00	10.00	IS6	1,255.56	SCE-30P24	27.00	21.00	63.29
SCE-30EL2412SSLP	30.00	24.00	12.00	IS6	1,330.21	SCE-30P24	27.00	21.00	63.29
SCE-30EL2416SSLP	30.00	24.00	16.00	IS6	1,465.95	SCE-30P24	27.00	21.00	63.29
SCE-30EL3008SSLP	30.00	30.00	8.00	IS6	1,337.00	SCE-30P30	27.00	27.00	83.55
SCE-30EL3010SSLP	30.00	30.00	10.00	IS6	1,418.45	SCE-30P30	27.00	27.00	83.55
SCE-30EL3012SSLP	30.00	30.00	12.00	IS6	1,506.67	SCE-30P30	27.00	27.00	83.55
SCE-30EL3608SSLP	30.00	36.00	8.00	IS6	1,495.82	SCE-36P30	33.00	27.00	101.27
SCE-36EL2408SSLP	36.00	24.00	8.00	IS6	1,316.64	SCE-36P24	33.00	21.00	75.96
SCE-36EL2410SSLP	36.00	24.00	10.00	IS6	1,404.88	SCE-36P24	33.00	21.00	75.96
SCE-36EL3008SSLP	36.00	30.00	8.00	IS6	1,495.82	SCE-36P30	33.00	27.00	101.27
SCE-36EL3010SSLP	36.00	30.00	10.00	IS6	1,607.12	SCE-36P30	33.00	27.00	101.27
SCE-36EL3012SSLP	36.00	30.00	12.00	IS6	1,703.48	SCE-36P30	33.00	27.00	101.27
SCE-36EL3016SSLP	36.00	30.00	16.00	IS6	1,797.36	SCE-36P30	33.00	27.00	101.27
SCE-36EL3608SSLP	36.00	36.00	8.00	IS6	1,723.86	SCE-36P36	33.00	33.00	118.99
SCE-36EL3612SSLP	36.00	36.00	12.00	IS6	1,913.89	SCE-36P36	33.00	33.00	118.99
SCE-42EL2410SSLP	42.00	24.00	10.00	IS6	1,628.84	SCE-42P24	39.00	21.00	91.14
SCE-42EL3010SSLP	42.00	30.00	10.00	IS6	1,783.57	SCE-42P30	39.00	27.00	116.47
SCE-42EL3012SSLP	42.00	30.00	12.00	IS6	1,913.57	SCE-42P30	39.00	27.00	116.47
SCE-42EL3612SSLP	42.00	36.00	12.00	IS6	2,106.63	SCE-42P36	39.00	33.00	136.72
SCE-42EL3616SSLP	42.00	36.00	16.00	IS6	2,236.93	SCE-42P36	39.00	33.00	136.72
SCE-48EL3612SSLP	48.00	36.00	12.00	IS6	2,334.67	SCE-48P36	45.00	33.00	154.46
SCE-48EL3616SSLP	48.00	36.00	16.00	IS6	2,545.05	SCE-48P36	45.00	33.00	154.46
SCE-60EL3612SSLP	60.00	36.00	12.00	IS6	2,755.44	SCE-60P36	57.00	33.00	189.89
SCE-60EL3616SSLP	60.00	36.00	16.00	IS6	2,972.63	SCE-60P36	57.00	33.00	189.89
SCE-60EL3624SSLP	60.00	36.00	24.00	IS6	3,580.50	SCE-60P36	57.00	33.00	189.89
SCE-72EL3016SSLP	72.00	30.00	16.00	IS6	3,189.81	SCE-72P30	69.00	27.00	210.15
SCE-72EL3612SSLP	72.00	36.00	12.00	IS6	3,278.03	SCE-72P36	69.00	33.00	225.33
SCE-72EL3616SSLP	72.00	36.00	16.00	IS6	3,461.27	SCE-72P36	69.00	33.00	225.33

STAINLESS STEEL ENVIROLINE® SERIES ENCLOSURES

TECHNICAL DATA



SECTION A-A

SUB-PANEL NOTES:

Dimensions are from the inside of the door
 C + 0.32 [8,1] for flat sub-panels
 C - 0.18 [4,5] for bent sub-panels

LATCH NOTES:

Enclosures < 24.00" [609,6] in height require only one latch centered on door.
 Enclosures >= 24.00" [609,6] and < 40.00" [1016] in height require two latches on door.
 Enclosures >= 40.00" [1016] require three latches on door.
 Omit center latch top and bottom of door when door width is <= 30.00" [762]



Phone (989) 799-6871
 Fax (989) 799-4524

- 1 Operator System Enclosures
- 2 Wall-Mount Enclosures
- 3 Free-Standing & Floor-Mounted Enclosures
- 4 Modular Enclosures
- 5 Operator System Enclosures (Stainless Steel)
- 6 Wall-Mount Enclosures (Stainless Steel)
- 7 Free-Standing & Floor-Mounted Enclosures (Stainless Steel)
- 8 Non-Metallic Enclosures
- 9 Accessories
- 10 Technical Information
- 11 Index

316 Stainless Steel EnviroLine® Series Enclosures

Application -

Designed to house electrical and electronic controls, instruments and components in areas which may be regularly hosed down or are in very wet conditions. Provides a degree of protection from dust, dirt, oil, and water. For outdoor application a drip shield is recommended. For installation information, consult our Installation Manual at www.saginawcontrol.com.

Construction -

- 0.075" stainless steel Type 304.
- Seams continuously welded and ground smooth.
- Flange trough collar around all sides of door opening.
- Oil-resistant gasket.
- Collar studs provided for mounting optional sub-panels.
- Stainless steel concealed hinges.
- Removable and interchangeable doors.
- Black quarter turn latches.
- Latches are opened or closed with a screwdriver (optional tamper-resistant inserts are available).
- Mounting holes in back of enclosure.
- Mounting hardware, sealing washers and hole plugs included.
- Removable print pocket furnished if height and width of enclosure is greater than 12".
- Ground studs on door and body.

Options -

- Optional mounting feet available.
- Door hardware available.

Finish -

#4 brushed finish on all exterior surfaces.
Optional sub-panels powder coated white.

IS6 - Industry Standards -

NEMA Type 3R, 4, 4X, 12 & Type 13
UL Listed Type 3R, 4, 4X & 12
CSA Type 3R, 4, 4X & 12
IEC 60529 IP66

***Special Instructions apply for IS3, IS4 and IS6 to maintain the environmental rating of Type 3R for these parts. See the Special Instructions on the Industry Standards page in the Technical Information Section.

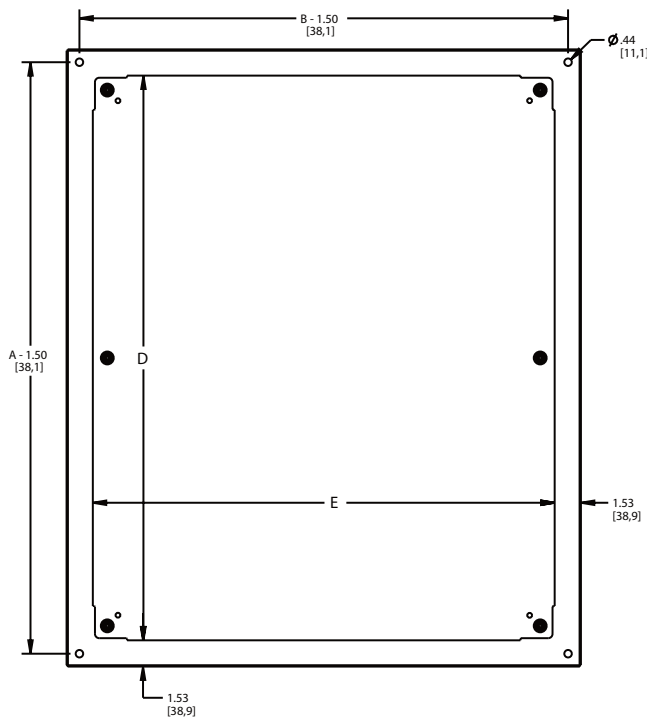
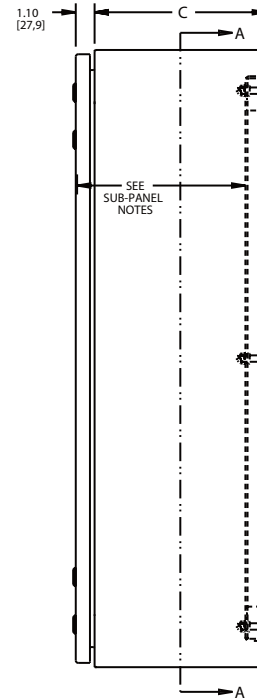
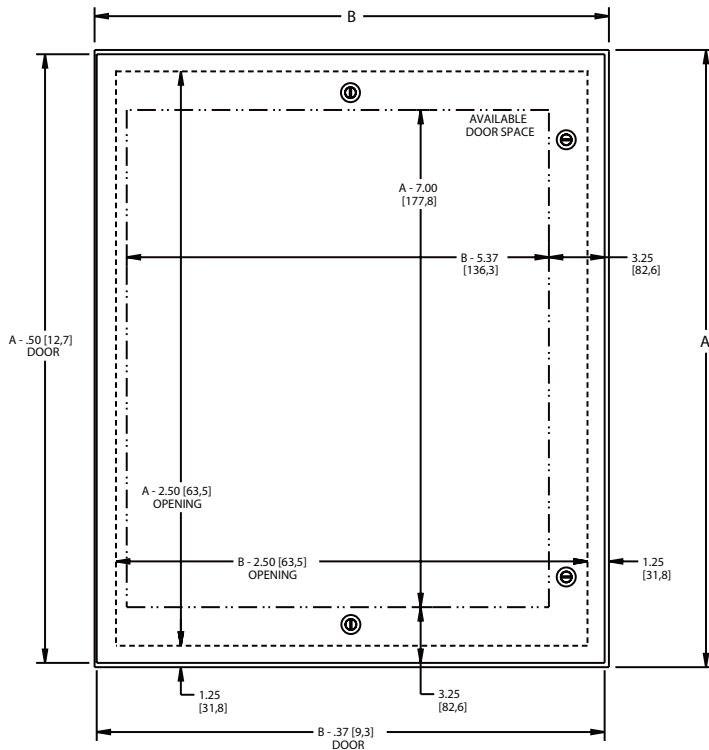


316 STAINLESS STEEL ENVIROLINE® SERIES ENCLOSURES

ENCLOSURE PRODUCT CODE S7						SUB-PANEL (P3)			
Catalog No.	Height (A)	Width (B)	Depth (C)	Industry Standard	List Price	Catalog No.	Panel Height (E)	Panel Width (F)	List Price
SCE-12EL1206SS6LP	12.00	12.00	6.00	IS6	643.39	SCE-12DLP12	9.00	9.00	13.67
SCE-12EL2406SS6LP	12.00	24.00	6.00	IS6	855.14	SCE-12P24	9.00	21.00	27.86
SCE-16EL1206SS6LP	16.00	12.00	6.00	IS6	708.54	SCE-16P12	13.00	9.00	14.81
SCE-16EL1208SS6LP	16.00	12.00	8.00	IS6	757.41	SCE-16P12	13.00	9.00	14.81
SCE-16EL1606SS6LP	16.00	16.00	6.00	IS6	785.11	SCE-16P16	13.00	13.00	24.57
SCE-16EL1608SS6LP	16.00	16.00	8.00	IS6	825.83	SCE-16P16	13.00	13.00	24.57
SCE-16EL2008SS6LP	16.00	20.00	8.00	IS6	925.17	SCE-20P16	17.00	13.00	30.37
SCE-20EL1606SS6LP	20.00	16.00	6.00	IS6	871.43	SCE-20P16	17.00	13.00	30.37
SCE-20EL1608SS6LP	20.00	16.00	8.00	IS6	925.17	SCE-20P16	17.00	13.00	30.37
SCE-20EL1610SS6LP	20.00	16.00	10.00	IS6	987.08	SCE-20P16	17.00	13.00	30.37
SCE-20EL2006SS6LP	20.00	20.00	6.00	IS6	952.88	SCE-20P20	17.00	17.00	35.44
SCE-20EL2008SS6LP	20.00	20.00	8.00	IS6	1,024.54	SCE-20P20	17.00	17.00	35.44
SCE-20EL2010SS6LP	20.00	20.00	10.00	IS6	1,091.33	SCE-20P20	17.00	17.00	35.44
SCE-20EL2408SS6LP	20.00	24.00	8.00	IS6	1,120.64	SCE-24P20	21.00	17.00	45.57
SCE-24EL1608SS6LP	24.00	16.00	8.00	IS6	1,008.25	SCE-24P16	21.00	13.00	32.92
SCE-24EL2006SS6LP	24.00	20.00	6.00	IS6	1,068.52	SCE-24P20	21.00	17.00	45.57
SCE-24EL2008SS6LP	24.00	20.00	8.00	IS6	1,120.64	SCE-24P20	21.00	17.00	45.57
SCE-24EL2010SS6LP	24.00	20.00	10.00	IS6	1,197.20	SCE-24P20	21.00	17.00	45.57
SCE-24EL2012SS6LP	24.00	20.00	12.00	IS6	1,270.49	SCE-24P20	21.00	17.00	45.57
SCE-24EL2408SS6LP	24.00	24.00	8.00	IS6	1,231.40	SCE-24P24	21.00	21.00	53.18
SCE-24EL2410SS6LP	24.00	24.00	10.00	IS6	1,316.08	SCE-24P24	21.00	21.00	53.18
SCE-24EL2412SS6LP	24.00	24.00	12.00	IS6	1,400.80	SCE-24P24	21.00	21.00	53.18
SCE-24EL2416SS6LP	24.00	24.00	16.00	IS6	1,588.12	SCE-24P24	21.00	21.00	53.18
SCE-24EL3008SS6LP	24.00	30.00	8.00	IS6	1,399.17	SCE-30P24	27.00	21.00	63.29
SCE-24EL3010SS6LP	24.00	30.00	10.00	IS6	1,505.04	SCE-30P24	27.00	21.00	63.29
SCE-30EL1606SS6LP	30.00	16.00	6.00	IS6	1,172.77	SCE-30P16	27.00	13.00	45.57
SCE-30EL2008SS6LP	30.00	20.00	8.00	IS6	1,270.49	SCE-30P20	27.00	17.00	55.70
SCE-30EL2010SS6LP	30.00	20.00	10.00	IS6	1,376.37	SCE-30P20	27.00	17.00	55.70
SCE-30EL2408SS6LP	30.00	24.00	8.00	IS6	1,400.80	SCE-30P24	27.00	21.00	63.29
SCE-30EL2410SS6LP	30.00	24.00	10.00	IS6	1,506.67	SCE-30P24	27.00	21.00	63.29
SCE-30EL2412SS6LP	30.00	24.00	12.00	IS6	1,596.26	SCE-30P24	27.00	21.00	63.29
SCE-30EL2416SS6LP	30.00	24.00	16.00	IS6	1,759.14	SCE-30P24	27.00	21.00	63.29
SCE-30EL3008SS6LP	30.00	30.00	8.00	IS6	1,604.41	SCE-30P30	27.00	27.00	83.55
SCE-30EL3010SS6LP	30.00	30.00	10.00	IS6	1,702.14	SCE-30P30	27.00	27.00	83.55
SCE-30EL3012SS6LP	30.00	30.00	12.00	IS6	1,808.01	SCE-30P30	27.00	27.00	83.55
SCE-30EL3608SS6LP	30.00	36.00	8.00	IS6	1,794.98	SCE-36P30	33.00	27.00	101.27
SCE-36EL2408SS6LP	36.00	24.00	8.00	IS6	1,579.97	SCE-36P24	33.00	21.00	75.96
SCE-36EL2410SS6LP	36.00	24.00	10.00	IS6	1,685.86	SCE-36P24	33.00	21.00	75.96
SCE-36EL3008SS6LP	36.00	30.00	8.00	IS6	1,794.98	SCE-36P30	33.00	27.00	101.27
SCE-36EL3010SS6LP	36.00	30.00	10.00	IS6	1,928.54	SCE-36P30	33.00	27.00	101.27
SCE-36EL3012SS6LP	36.00	30.00	12.00	IS6	2,044.18	SCE-36P30	33.00	27.00	101.27
SCE-36EL3608SS6LP	36.00	36.00	8.00	IS6	2,068.63	SCE-36P36	33.00	33.00	118.99
SCE-36EL3612SS6LP	36.00	36.00	12.00	IS6	2,296.66	SCE-36P36	33.00	33.00	118.99
SCE-42EL2410SS6LP	42.00	24.00	10.00	IS6	1,954.61	SCE-42P24	39.00	21.00	91.14
SCE-42EL3010SS6LP	42.00	30.00	10.00	IS6	2,140.28	SCE-42P30	39.00	27.00	116.47
SCE-42EL3612SS6LP	42.00	36.00	12.00	IS6	2,527.96	SCE-42P36	39.00	33.00	136.72
SCE-42EL3616SS6LP	42.00	36.00	16.00	IS6	2,684.32	SCE-42P36	39.00	33.00	136.72
SCE-48EL3612SS6LP	48.00	36.00	12.00	IS6	2,801.61	SCE-48P36	45.00	33.00	154.46
SCE-48EL3616SS6LP	48.00	36.00	16.00	IS6	3,054.06	SCE-48P36	45.00	33.00	154.46
SCE-60EL3612SS6LP	60.00	36.00	12.00	IS6	3,306.53	SCE-60P36	57.00	33.00	189.89
SCE-60EL3616SS6LP	60.00	36.00	16.00	IS6	3,567.15	SCE-60P36	57.00	33.00	189.89
SCE-72EL3016SS6LP	72.00	30.00	16.00	IS6	3,827.77	SCE-72P30	69.00	27.00	210.15
SCE-72EL3612SS6LP	72.00	36.00	12.00	IS6	3,933.64	SCE-72P36	69.00	33.00	225.33
SCE-72EL3616SS6LP	72.00	36.00	16.00	IS6	4,153.63	SCE-72P36	69.00	33.00	225.33

STAINLESS STEEL ENVIROLINE® SERIES ENCLOSURES

TECHNICAL DATA



SUB-PANEL NOTES:
 Dimensions are from the inside of the door
C + 0.32 [8,1] for flat sub-panels
C - 0.18 [4,5] for bent sub-panels

LATCH NOTES:
 Enclosures < 24.00" [609,6] in height require only one latch centered on door.
 Enclosures >= 24.00" [609,6] and < 40.00" [1016] in height require two latches on door.
 Enclosures >= 40.00" [1016] require three latches on door.
 Omit center latch top and bottom of door when door width is <= 30.00" [762]

Stainless Steel Enviroline® Series Wall-Mount Sloping Top Enclosures

Application -

Designed to house electrical and electronic controls, instrumentation and components in indoor, outdoor and sanitary locations. For installation information, consult our Installation Manual at www.saginawcontrol.com.

Construction -

- 0.075" stainless steel Type 304.
- Seams continuously welded and ground smooth.
- Flange trough collar around all sides of door opening.
- 15 Degree Sloping Top.
- Collar studs provided for mounting optional sub-panels.
- Mounting holes in back of the enclosure for wall mounting.
- Mounting hardware, sealing washers and hole plugs included.
- Stainless steel concealed hinges.
- Removable and interchangeable doors.
- Black quarter turn latches.
- Latches are opened or closed with a screwdriver (optional tamper resistant latches are available).
- Removable print pocket furnished on enclosures with width greater than 12".
- Oil & water resistant gasket.
- Ground stud on door and body.

Finish -

4 Brushed finish on all exterior surfaces. Optional sub-panels powder coated white.

Options -

Wall-Mount Standoffs available under Mounting Options in the Accessories Section.

IS6 - Industry Standards -

NEMA Type 3R, 4, 4X, 12 & Type 13
UL Listed Type 3R, 4, 4X & 12
CSA Type 3R, 4, 4X & 12
IEC 60529 IP66

***Special Instructions apply for IS3, IS4 and IS6 to maintain the environmental rating of Type 3R for these parts. See the Special Instructions on the Industry Standards page in the Technical Information Section.

STAINLESS STEEL ENVIROLINE® SERIES WALL-MOUNT SLOPING TOP ENCLOSURES

ENCLOSURE PRODUCT CODE S8						SUB-PANEL (P3)			
Catalog No.	Height (A)	Width (B)	Depth (C)	Industry Standard	List Price	Catalog No.	Panel Height (E)	Panel Width (F)	List Price
SCE-16EL1208SSST	16.00	12.00	8.00	IS6	883.65	SCE-16P12	13.00	9.00	14.81
SCE-16EL1608SSST	16.00	16.00	8.00	IS6	963.47	SCE-16P16	13.00	13.00	24.57
SCE-20EL1608SSST	20.00	16.00	8.00	IS6	1,079.37	SCE-20P16	17.00	13.00	30.37
SCE-20EL1612SSST	20.00	16.00	12.00	IS6	1,210.13	SCE-20P16	17.00	13.00	30.37
SCE-20EL2008SSST	20.00	20.00	8.00	IS6	1,195.31	SCE-20P20	17.00	17.00	35.44
SCE-20EL2012SSST	20.00	20.00	12.00	IS6	1,343.69	SCE-20P20	17.00	17.00	35.44
SCE-24EL2008SSST	24.00	20.00	8.00	IS6	1,307.56	SCE-24P20	21.00	17.00	45.57
SCE-24EL2012SSST	24.00	20.00	12.00	IS6	1,482.24	SCE-24P20	21.00	17.00	45.57
SCE-24EL2408SSST	24.00	24.00	8.00	IS6	1,436.64	SCE-24P24	21.00	21.00	53.18
SCE-24EL2412SSST	24.00	24.00	12.00	IS6	1,634.28	SCE-24P24	21.00	21.00	53.18
SCE-24EL2416SSST	24.00	24.00	16.00	IS6	2,179.04	SCE-24P24	21.00	21.00	53.18
SCE-30EL2408SSST	30.00	24.00	8.00	IS6	1,634.28	SCE-30P24	27.00	21.00	63.29
SCE-30EL2412SSST	30.00	24.00	12.00	IS6	1,862.29	SCE-30P24	27.00	21.00	63.29
SCE-30EL3008SSST	30.00	30.00	8.00	IS6	1,871.80	SCE-30P30	27.00	27.00	83.55
SCE-30EL3012SSST	30.00	30.00	12.00	IS6	2,327.86	SCE-30P30	27.00	27.00	83.55
SCE-36EL2408SSST	36.00	24.00	8.00	IS6	1,843.30	SCE-36P24	33.00	21.00	75.96
SCE-36EL2412SSST	36.00	24.00	12.00	IS6	2,072.73	SCE-36P24	33.00	21.00	75.96
SCE-36EL3008SSST	36.00	30.00	8.00	IS6	2,094.15	SCE-36P30	33.00	27.00	101.27
SCE-36EL3012SSST	36.00	30.00	12.00	IS6	2,384.87	SCE-36P30	33.00	27.00	101.27
SCE-36EL3016SSST	36.00	30.00	16.00	IS6	2,528.04	SCE-36P30	33.00	27.00	101.27
SCE-36EL3612SSST	36.00	36.00	12.00	IS6	2,435.89	SCE-36P36	33.00	33.00	118.99
SCE-48EL3612SSST	48.00	36.00	12.00	IS5	3,485.65	SCE-48P36	45.00	33.00	154.46
SCE-48EL3616SSST	48.00	36.00	16.00	IS6	3,563.07	SCE-48P36	45.00	33.00	154.46
SCE-60EL3616SSST	60.00	36.00	16.00	IS6	4,162.10	SCE-60P36	57.00	33.00	189.89

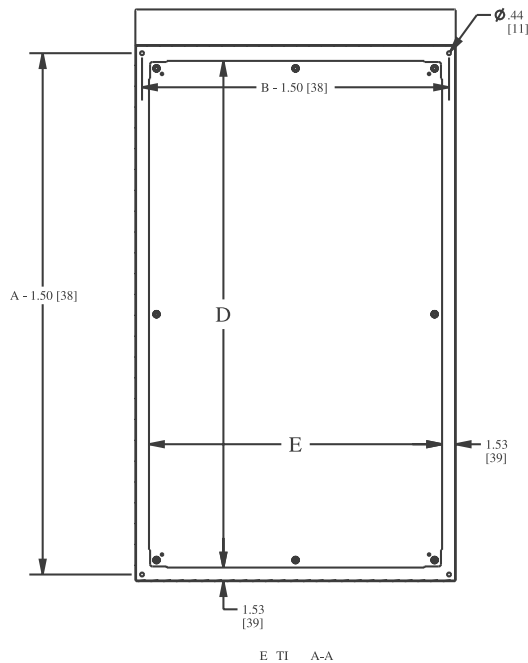
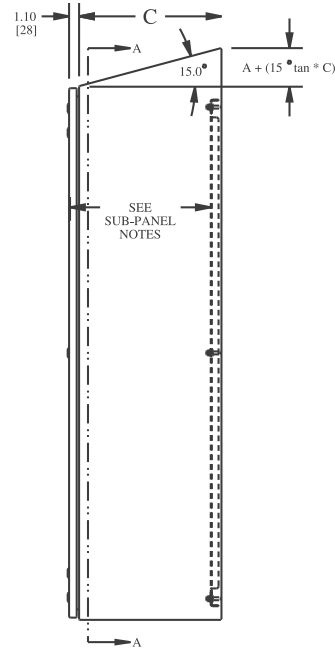
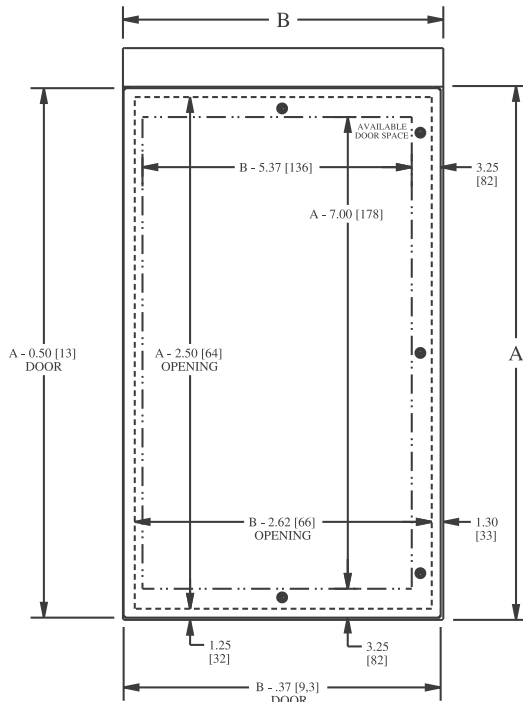


Phone (989) 799-6871
Fax (989) 799-4524



STAINLESS STEEL ENVIROLINE® SERIES WALL-MOUNT SLOPING TOP ENCLOSURES

TECHNICAL DATA



SUB-PANEL NOTES:

Dimensions are from the inside of the door
 C = 0.32 [x,1] for flat sub-panels
 C = 0.18 [4,5] for bent sub-panels

LATCH NOTES:

Enclosures < 24.00" [609,6] in height require only one latch centered on door.
 Enclosures >= 24.00" [609,6] and < 40.00" [1016] in height require two latches on door.
 Enclosures >= 40.00" [1016] require three latches on door.
 Omit center latch top and bottom of door when door width is <= 30.00" [762]

304 Stainless Steel Clamp Fastened Single-Door Enclosures

Application -

Designed to house electrical and electronic controls, instruments and components in areas which may be regularly hosed down or are in very wet conditions. Provides a degree of protection from dust, dirt, oil and water. For outdoor application a drip shield is recommended. For installation information, consult our Installation Manual at www.saginawcontrol.com.

Construction -

- 0.075" stainless steel Type 304.
- No holes or knockouts, continuously welded seams ground smooth.
- Flange trough collar around all sides of door opening.
- Oil-resistant door gasket.
- Collar studs provided for mounting optional sub-panels.
- Hasp and staple for padlocking.
- Stainless steel continuous hinge.
- Removable print pocket furnished if height and width of enclosure is greater than 12".
- Ground stud on door and body.
- Stainless steel door clamps.
- Welded mounting provision top and bottom of back.

Finish -

#4 brushed finish on all exterior surfaces. Optional panels are powder coated white.

IS6 - Industry Standards -

NEMA Type 3R, 4, 4X, 12 & Type 13
UL Listed Type 3R, 4, 4X & 12
CSA Type 3R, 4, 4X & 12
IEC 60529 IP66

***Special Instructions apply for IS3, IS4 and IS6 to maintain the environmental rating of Type 3R for these parts. See the Special Instructions on the Industry Standards page in the Technical Information Section.

304 STAINLESS STEEL CLAMP FASTENED SINGLE-DOOR ENCLOSURES

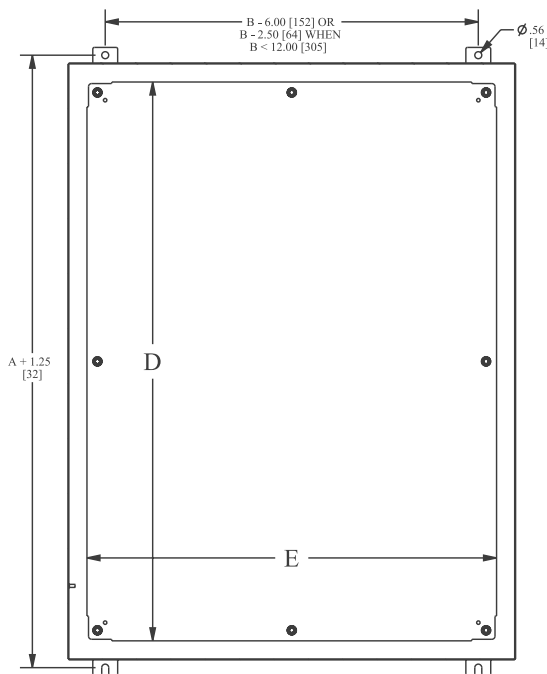
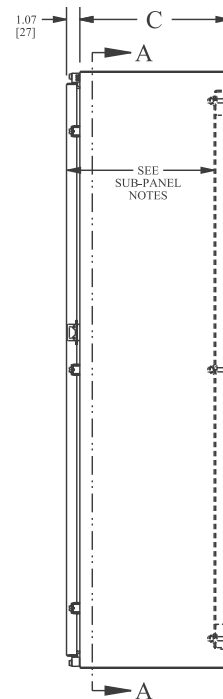
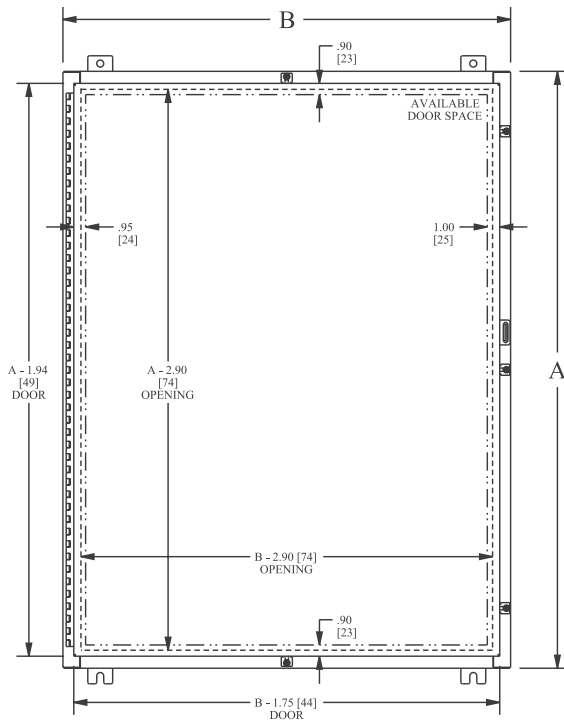
ENCLOSURE PRODUCT CODE S3						SUB-PANEL (P3)			
Catalog No.	Height (A)	Width (B)	Depth (C)	Industry Standard	List Price	Catalog No.	Panel Height (E)	Panel Width (F)	List Price
SCE-16H1206SSLP	16.00	12.00	6.00	IS6	627.11	SCE-16P12	13.00	9.00	14.81
SCE-16H1208SSLP	16.00	12.00	8.00	IS6	671.90	SCE-16P12	13.00	9.00	14.81
SCE-16H1606SSLP	16.00	16.00	6.00	IS6	696.32	SCE-16P16	13.00	13.00	24.57
SCE-16H2006SSLP	16.00	20.00	6.00	IS6	765.54	SCE-20P16	17.00	13.00	30.37
SCE-20H1606SSLP	20.00	16.00	6.00	IS6	765.54	SCE-20P16	17.00	13.00	30.37
SCE-20H1608SSLP	20.00	16.00	8.00	IS6	819.84	SCE-20P16	17.00	13.00	30.37
SCE-20H1610SSLP	20.00	16.00	10.00	IS6	875.50	SCE-20P16	17.00	13.00	30.37
SCE-20H2006SSLP	20.00	20.00	6.00	IS6	844.28	SCE-20P20	17.00	17.00	35.44
SCE-20H2408SSLP	20.00	24.00	8.00	IS6	990.88	SCE-24P20	21.00	17.00	45.57
SCE-24H1608SSLP	24.00	16.00	8.00	IS6	891.79	SCE-24P16	21.00	13.00	32.92
SCE-24H2006SSLP	24.00	20.00	6.00	IS6	924.36	SCE-24P20	21.00	17.00	45.57
SCE-24H2008SSLP	24.00	20.00	8.00	IS6	990.88	SCE-24P20	21.00	17.00	45.57
SCE-24H2010SSLP	24.00	20.00	10.00	IS6	1,058.74	SCE-24P20	21.00	17.00	45.57
SCE-24H2406SSLP	24.00	24.00	6.00	IS6	950.00	SCE-24P24	21.00	21.00	53.18
SCE-24H2408SSLP	24.00	24.00	8.00	IS6	1,089.96	SCE-24P24	21.00	21.00	53.18
SCE-24H2412SSLP	24.00	24.00	12.00	IS6	1,237.92	SCE-24P24	21.00	21.00	53.18
SCE-24H3008SSLP	24.00	30.00	8.00	IS6	1,237.92	SCE-30P24	27.00	21.00	63.29
SCE-30H2008SSLP	30.00	20.00	8.00	IS6	1,121.18	SCE-30P20	27.00	17.00	55.70
SCE-30H2408SSLP	30.00	24.00	8.00	IS6	1,237.92	SCE-30P24	27.00	21.00	63.29
SCE-30H2412SSLP	30.00	24.00	12.00	IS6	1,403.51	SCE-30P24	27.00	21.00	63.29
SCE-30H2416SSLP	30.00	24.00	16.00	IS6	1,571.81	SCE-30P24	27.00	21.00	63.29
SCE-30H3008SSLP	30.00	30.00	8.00	IS6	1,414.38	SCE-30P30	27.00	27.00	83.55
SCE-36H2408SSLP	36.00	24.00	8.00	IS6	1,385.87	SCE-36P24	33.00	21.00	75.96
SCE-36H2410SSLP	36.00	24.00	10.00	IS6	1,479.52	SCE-36P24	33.00	21.00	75.96
SCE-36H3008SSLP	36.00	30.00	8.00	IS6	1,589.47	SCE-36P30	33.00	27.00	101.27
SCE-36H3010SSLP	36.00	30.00	10.00	IS6	1,691.28	SCE-36P30	33.00	27.00	101.27
SCE-36H3012SSLP	36.00	30.00	12.00	IS6	1,793.07	SCE-36P30	33.00	27.00	101.27
SCE-36H3016SSLP	36.00	30.00	16.00	IS6	1,995.33	SCE-36P30	33.00	27.00	101.27
SCE-36H3612SSLP	36.00	36.00	12.00	IS6	2,014.32	SCE-36P36	33.00	33.00	118.99
SCE-42H3010SSLP	42.00	30.00	10.00	IS6	1,875.88	SCE-42P30	39.00	27.00	116.47
SCE-42H3608SSLP	42.00	36.00	8.00	IS6	1,995.33	SCE-42P36	39.00	33.00	136.72
SCE-48H3608SSLP	48.00	36.00	8.00	IS6	2,198.93	SCE-48P36	45.00	33.00	154.46
SCE-48H3610SSLP	48.00	36.00	10.00	IS6	2,440.71	SCE-48P36	45.00	33.00	154.46
SCE-48H3612SSLP	48.00	36.00	12.00	IS6	2,456.83	SCE-48P36	45.00	33.00	154.46
SCE-48H3616SSLP	48.00	36.00	16.00	IS6	2,716.09	SCE-48P36	45.00	33.00	154.46
SCE-60H3612SSLP	60.00	36.00	12.00	IS6	2,900.69	SCE-60P36	57.00	33.00	189.89



Phone (989) 799-6871
Fax (989) 799-4524



STAINLESS STEEL CLAMP FASTENED SINGLE-DOOR ENCLOSURES TECHNICAL DATA



SECTION A-A

SUB-PANEL NOTES:
Dimensions are from the inside of the door
C + .30 [8] for flat sub-panels
C - .20 [5] for bent sub-panels

CLAMPING NOTES:
Enclosures < 27.00 [686] in height require two clamps on door.
Enclosures >= 27.00 [686] in height require three clamps on door.
Omit center clamps top and bottom of door when door width is <= 30.00 [762]

316 Stainless Steel Clamp Fastened Single-Door Enclosures

Application -

Designed to house electrical and electronic controls, instruments and components in areas which may be regularly hosed down or are in very wet conditions. Provides a degree of protection from dust, dirt, oil and water. For outdoor application a drip shield is recommended. For installation information, consult our Installation Manual at www.saginawcontrol.com.

Construction -

- 0.075" stainless steel Type 316/316L.
- No holes or knockouts, continuously welded seams ground smooth.
- Flange trough collar around all sides of door opening.
- Oil-resistant door gasket.
- Collar studs provided for mounting optional sub-panels.
- Hasp and staple for padlocking.
- Stainless steel continuous hinge.
- Removable print pocket furnished if height and width of enclosure is greater than 12".
- Ground stud on door and body.
- Stainless steel door clamps.
- Welded mounting provision top and bottom of back.

Finish -

#4 brushed finish on all exterior surfaces. Optional panels are powder coated white.

IS6 - Industry Standards -

NEMA Type 3R, 4, 4X, 12 & Type 13
UL Listed Type 3R, 4, 4X & 12
CSA Type 3R, 4, 4X & 12
IEC 60529 IP66

***Special Instructions apply for IS3, IS4 and IS6 to maintain the environmental rating of Type 3R for these parts. See the Special Instructions on the Industry Standards page in the Technical Information Section.

316 STAINLESS STEEL CLAMP FASTENED SINGLE-DOOR ENCLOSURES

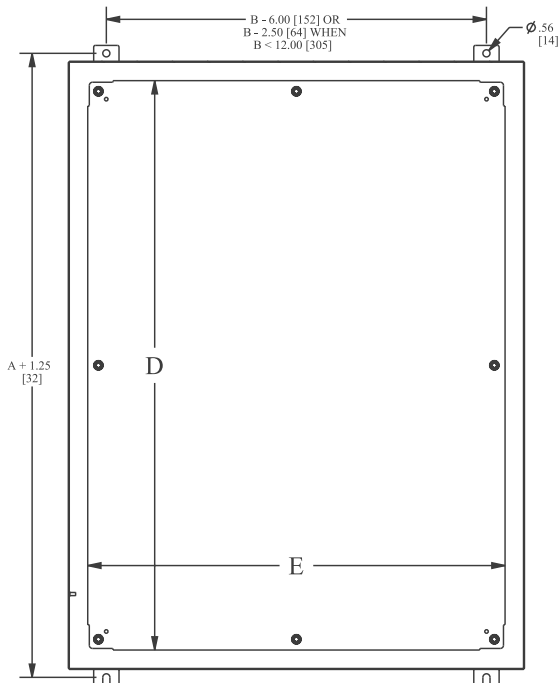
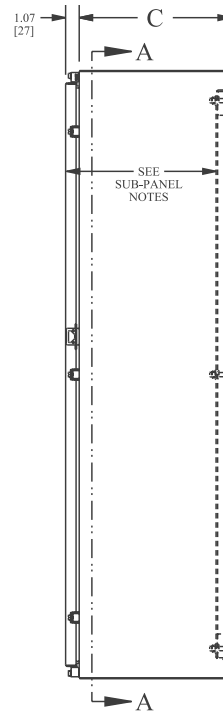
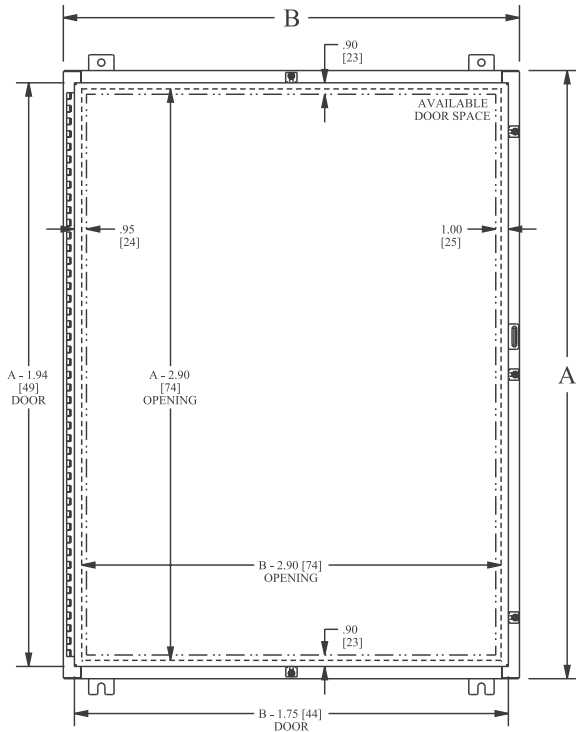
ENCLOSURE PRODUCT CODE S7						SUB-PANEL (P3)			
Catalog No.	Height (A)	Width (B)	Depth (C)	Industry Standard	List Price	Catalog No.	Panel Height (E)	Panel Width (F)	List Price
SCE-16H1206SS6LP	16.00	12.00	6.00	IS6	752.53	SCE-16P12	13.00	9.00	14.81
SCE-16H1208SS6LP	16.00	12.00	8.00	IS6	806.28	SCE-16P12	13.00	9.00	14.81
SCE-16H1606SS6LP	16.00	16.00	6.00	IS6	835.59	SCE-16P16	13.00	13.00	24.57
SCE-16H2006SS6LP	16.00	20.00	6.00	IS6	918.65	SCE-20P16	17.00	13.00	30.37
SCE-20H1606SS6LP	20.00	16.00	6.00	IS6	918.65	SCE-20P16	17.00	13.00	30.37
SCE-20H1608SS6LP	20.00	16.00	8.00	IS6	983.81	SCE-20P16	17.00	13.00	30.37
SCE-20H1610SS6LP	20.00	16.00	10.00	IS6	1,050.60	SCE-20P16	17.00	13.00	30.37
SCE-20H2006SS6LP	20.00	20.00	6.00	IS6	1,013.14	SCE-20P20	17.00	17.00	35.44
SCE-20H2408SS6LP	20.00	24.00	8.00	IS6	1,189.05	SCE-24P20	21.00	17.00	45.57
SCE-24H1608SS6LP	24.00	16.00	8.00	IS6	1,070.15	SCE-24P16	21.00	13.00	32.92
SCE-24H2006SS6LP	24.00	20.00	6.00	IS6	1,109.24	SCE-24P20	21.00	17.00	45.57
SCE-24H2008SS6LP	24.00	20.00	8.00	IS6	1,189.05	SCE-24P20	21.00	17.00	45.57
SCE-24H2010SS6LP	24.00	20.00	10.00	IS6	1,270.49	SCE-24P20	21.00	17.00	45.57
SCE-24H2408SS6LP	24.00	24.00	8.00	IS6	1,307.95	SCE-24P24	21.00	21.00	53.18
SCE-24H2412SS6LP	24.00	24.00	12.00	IS6	1,485.51	SCE-24P24	21.00	21.00	53.18
SCE-24H3008SS6LP	24.00	30.00	8.00	IS6	1,485.51	SCE-30P24	27.00	21.00	63.29
SCE-30H2008SS6LP	30.00	20.00	8.00	IS6	1,345.42	SCE-30P20	27.00	17.00	55.70
SCE-30H2408SS6LP	30.00	24.00	8.00	IS6	1,485.51	SCE-30P24	27.00	21.00	63.29
SCE-30H2412SS6LP	30.00	24.00	12.00	IS6	1,684.21	SCE-30P24	27.00	21.00	63.29
SCE-30H2416SS6LP	30.00	24.00	16.00	IS6	1,886.18	SCE-30P24	27.00	21.00	63.29
SCE-30H3008SS6LP	30.00	30.00	8.00	IS6	1,697.26	SCE-30P30	27.00	27.00	83.55
SCE-36H2408SS6LP	36.00	24.00	8.00	IS6	1,663.04	SCE-36P24	33.00	21.00	75.96
SCE-36H2410SS6LP	36.00	24.00	10.00	IS6	1,775.43	SCE-36P24	33.00	21.00	75.96
SCE-36H3008SS6LP	36.00	30.00	8.00	IS6	1,907.36	SCE-36P30	33.00	27.00	101.27
SCE-36H3010SS6LP	36.00	30.00	10.00	IS6	2,029.53	SCE-36P30	33.00	27.00	101.27
SCE-36H3012SS6LP	36.00	30.00	12.00	IS6	2,151.69	SCE-36P30	33.00	27.00	101.27
SCE-36H3016SS6LP	36.00	30.00	16.00	IS6	2,394.40	SCE-36P30	33.00	27.00	101.27
SCE-36H3612SS6LP	36.00	36.00	12.00	IS6	2,417.18	SCE-36P36	33.00	33.00	118.99
SCE-42H3010SS6LP	42.00	30.00	10.00	IS6	2,251.05	SCE-42P30	39.00	27.00	116.47
SCE-42H3608SS6LP	42.00	36.00	8.00	IS6	2,394.40	SCE-42P36	39.00	33.00	136.72
SCE-48H3608SS6LP	48.00	36.00	8.00	IS6	2,638.72	SCE-48P36	45.00	33.00	154.46
SCE-48H3612SS6LP	48.00	36.00	12.00	IS6	2,948.19	SCE-48P36	45.00	33.00	154.46
SCE-48H3616SS6LP	48.00	36.00	16.00	IS6	3,259.31	SCE-48P36	45.00	33.00	154.46
SCE-60H3612SS6LP	60.00	36.00	12.00	IS6	3,480.82	SCE-60P36	57.00	33.00	189.89



Phone (989) 799-6871
Fax (989) 799-4524



STAINLESS STEEL CLAMP FASTENED SINGLE-DOOR ENCLOSURES TECHNICAL DATA



SECTION A-A

SUB-PANEL NOTES:
 Dimensions are from the inside of the door
 C + .30 [8] for flat sub-panels
 C - .20 [5] for bent sub-panels

CLAMPING NOTES:
 Enclosures < 27.00 [686] in height require two clamps on door.
 Enclosures \geq 27.00 [686] in height require three clamps on door.
 Omit center clamps top and bottom of door when door width is \leq 30.00 [762]

Stainless Steel Enviroline® Series Wall-Mount Two-Door Enclosures With 3-Point Hardware

Application -

Designed to house electrical and electronic controls, instrumentation and components. For outdoor applications a drip shield is recommended. For installation information, consult our Installation Manual at www.saginawcontrol.com.

Construction -

- 0.075" stainless steel Type 304.
- Seams continuously welded and ground smooth.
- Flange trough collar around all sides of door opening.
- Collar studs provided for mounting optional sub-panels.
- Removable center posts permit easy sub-panel installation.
- Mounting holes in back of the enclosure for wall mounting.
- Mounting hardware, sealing washers and hole plugs included.
- Stainless steel concealed hinges.
- Removable and interchangeable doors.
- Black keylocking padlocking handles.
- 3-point latching mechanism.
- Removable print pocket.
- Oil & water resistant gasket.
- Ground stud on door and body.

Options -

Provisions for mechanical interlock.
See accessory section to order.

Finish -

#4 Brushed finish on all exterior surfaces.
Optional sub-panels powder coated white.

Notes -

Mechanical Interlock not for use in Enclosures 24" in height.

IS6 - Industry Standards -

NEMA Type 3R, 4, 4X, 12 & Type 13
UL Listed Type 3R, 4, 4X & 12
CSA Type 3R, 4, 4X & 12
IEC 60529 IP66

***Special Instructions apply for IS3, IS4 and IS6 to maintain the environmental rating of Type 3R for these parts. See the Special Instructions on the Industry Standards page in the Technical Information Section.

STAINLESS STEEL ENVIROLINE® SERIES WALL-MOUNT TWO-DOOR ENCLOSURES WITH 3-POINT HARDWARE

ENCLOSURE PRODUCT CODE S5						SUB-PANEL (P3)			
Catalog No.	Height (A)	Width (B)	Depth (C)	Industry Standard	List Price	Catalog No.	Panel Height (E)	Panel Width (F)	List Price
SCE-24EL4210SSWFLP	24.00	42.00	10.00	IS6	2,990.12	SCE-42P24	39.00	21.00	91.14
SCE-24EL4810SSWFLP	24.00	48.00	10.00	IS6	3,108.66	SCE-48P24	45.00	21.00	98.74
SCE-30EL4210SSWFLP	30.00	42.00	10.00	IS6	3,168.28	SCE-42P30	39.00	27.00	116.47
SCE-30EL4810SSWFLP	30.00	48.00	10.00	IS6	3,347.42	SCE-48P30	45.00	27.00	129.13
SCE-30EL6010SSWFLP	30.00	60.00	10.00	IS6	3,758.21	SCE-60P30	57.00	27.00	159.52
SCE-36EL4212SSWFLP	36.00	42.00	12.00	IS6	3,772.54	SCE-42P36	39.00	33.00	136.72
SCE-36EL4812SSWFLP	36.00	48.00	12.00	IS6	3,866.89	SCE-48P36	45.00	33.00	154.46
SCE-36EL6012SSWFLP	36.00	60.00	12.00	IS6	4,269.15	SCE-60P36	57.00	33.00	189.89
SCE-42EL4212SSWFLP	42.00	42.00	12.00	IS6	3,824.34	SCE-42P42	39.00	39.00	156.97
SCE-42EL4812SSWFLP	42.00	48.00	12.00	IS6	4,248.08	SCE-48P42	45.00	39.00	177.24
SCE-42EL6012SSWFALP	42.00	60.00	12.00	IS6	4,460.85	SCE-60BFP42	56.00	38.00	230.41
SCE-48EL4812SSWFLP	48.00	48.00	12.00	IS6	4,359.04	SCE-48P48	44.00	44.00	212.67

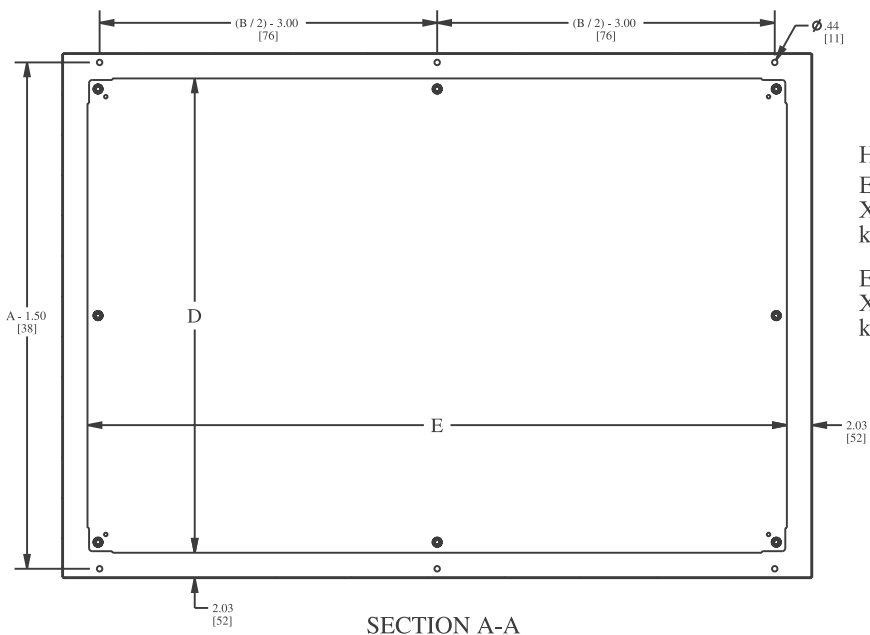
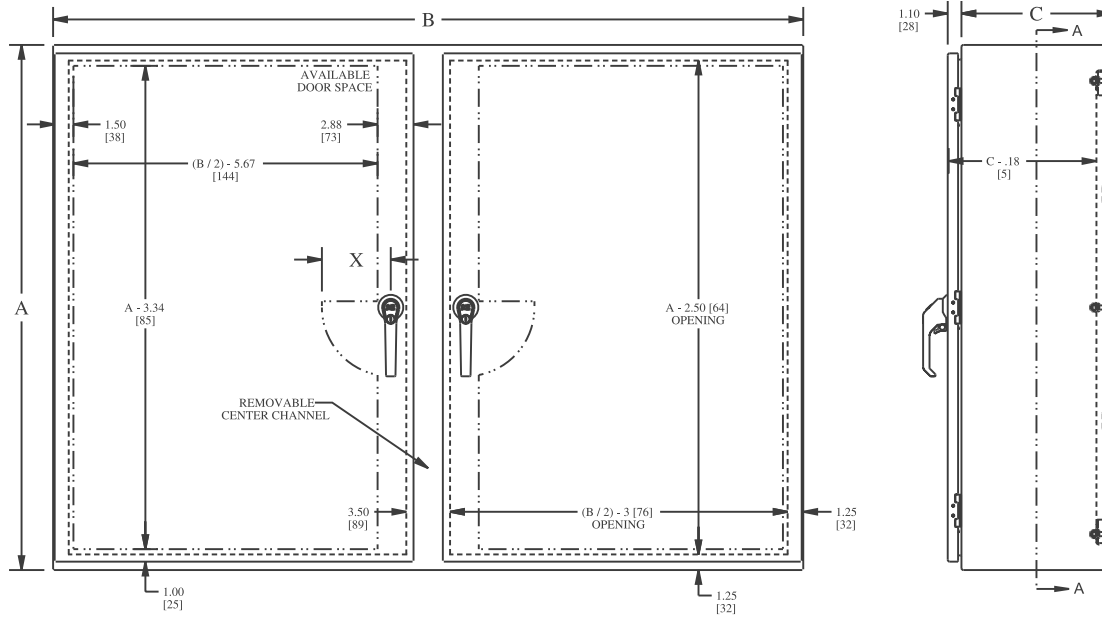


Phone (989) 799-6871
Fax (989) 799-4524



STAINLESS STEEL ENVIROLINE® SERIES WALL-MOUNT TWO-DOOR ENCLOSURES WITH 3-POINT HARDWARE

TECHNICAL DATA



HANDLE NOTES:

Enclosures ≤ 42.00 [1067] in height
 $X = 5.50$ [140] and uses 5.00 [127]
 key-locking/padlocking handle.

Enclosures > 42.00 [1067] in height
 $X = 6.75$ [171] and uses 7.00 [178]
 key-locking/padlocking handle.

304 Stainless Steel EnviroLine® Series Single-Door Enclosures For Flange-Mounted Disconnects

Application -

Designed to house most standard type disconnects. For outdoor application a drip shield is recommended. For installation information, consult our Installation Manual at www.saginawcontrol.com.

Construction -

- 0.075" stainless steel Type 304.
- Seams continuously welded and ground smooth.
- Flange trough collar around all sides of door opening.
- Oil-resistant gasket.
- Collar studs provided for mounting optional sub-panels.
- Holes provided in body for mounting disconnect operating handle and operating mechanism.
- Stainless steel concealed hinges.
- Doors are interchangeable and easily removed by pulling hinge pin.
- 3-point latching mechanism.
- Latches are opened or closed with screwdriver (optional tamper-resistant inserts available).
- Mounting holes in back of enclosure.
- Mounting hardware, sealing washers and hole plugs included.
- Black quarter turn latches as required.
- Removable print pocket.
- Ground studs on door and body.
- Black zinc die cast coinproof/padlocking handle.

Disconnect switch (or circuit breaker) and operating mechanism are not furnished with this enclosure.

Finish -

#4 brushed finish on all exterior surfaces.
Optional sub-panels powder coated white.

IS6 - Industry Standards -

NEMA Type 3R, 4, 4X, 12 & Type 13
UL Listed Type 3R, 4, 4X & 12
CSA Type 3R, 4, 4X & 12
IEC 60529 IP66

***Special Instructions apply for IS3, IS4 and IS6 to maintain the environmental rating of Type 3R for these parts. See the Special Instructions on the Industry Standards page in the Technical Information Section.

304 STAINLESS STEEL ENVIROLINE® SERIES SINGLE-DOOR ENCLOSURES FOR FLANGE-MOUNTED DISCONNECTS

ENCLOSURE PRODUCT CODE S5						SUB-PANEL (P3)			
Catalog No.	Height (A)	Width (B)	Depth (C)	Industry Standard	List Price	Catalog No.	Panel Height (E)	Panel Width (F)	List Price
SCE-20XEL2108SSLP	20.00	21.38	8.00	IS6	909.44	SCE-20P20	17.00	17.00	35.44
SCE-24XEL2108SSLP	24.00	21.38	8.00	IS6	990.88	SCE-24P20	21.00	17.00	45.57
SCE-24XEL2508SSLP	24.00	25.38	8.00	IS6	1,077.75	SCE-24P24	21.00	21.00	53.18
SCE-24XEL2510SSLP	24.00	25.38	10.00	IS6	1,152.39	SCE-24P24	21.00	21.00	53.18
SCE-30XEL2508SSLP	30.00	25.38	8.00	IS6	1,262.54	SCE-30P24	27.00	21.00	63.29
SCE-30XEL2510SSLP	30.00	25.38	10.00	IS6	1,375.82	SCE-30P24	27.00	21.00	63.29
SCE-36XEL2508SSLP	36.00	25.38	8.00	IS6	1,448.47	SCE-36P24	33.00	21.00	75.96
SCE-36XEL3110SSLP	36.00	31.38	10.00	IS6	1,704.24	SCE-36P30	33.00	27.00	101.27
SCE-36XEL3112SSLP	36.00	31.38	12.00	IS6	1,802.42	SCE-36P30	33.00	27.00	101.27
SCE-42XEL3110SSLP	42.00	31.38	10.00	IS6	1,941.03	SCE-42P30	39.00	27.00	116.47
SCE-42XEL3112SSLP	42.00	31.38	12.00	IS6	2,049.63	SCE-42P30	39.00	27.00	116.47
SCE-42XEL3712SSLP	42.00	37.38	12.00	IS6	2,226.07	SCE-42P36	39.00	33.00	136.72
SCE-42XEL3716SSLP	42.00	37.38	16.00	IS6	2,490.77	SCE-42P36	39.00	33.00	136.72
SCE-48XEL3710SSLP	48.00	37.38	10.00	IS6	2,293.94	SCE-48P36	45.00	33.00	154.46
SCE-48XEL3712SSLP	48.00	37.38	12.00	IS6	2,422.90	SCE-48P36	45.00	33.00	154.46
SCE-48XEL3716SSLP	48.00	37.38	16.00	IS6	2,694.37	SCE-48P36	45.00	33.00	154.46
SCE-60XEL3712SSLP	60.00	37.38	12.00	IS6	3,024.20	SCE-60P36	57.00	33.00	189.89
SCE-60XEL3716SSLP	60.00	37.38	16.00	IS6	3,309.25	SCE-60P36	57.00	33.00	189.89

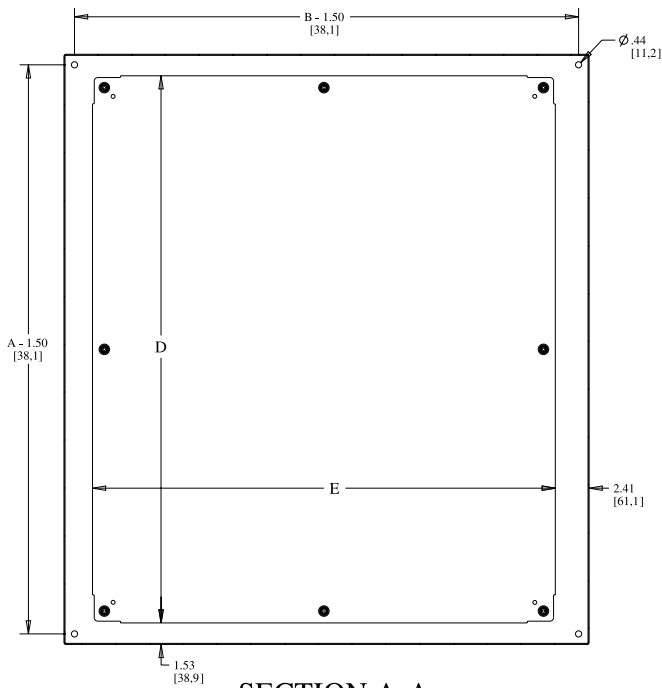
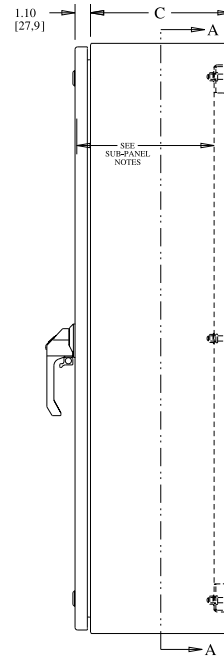
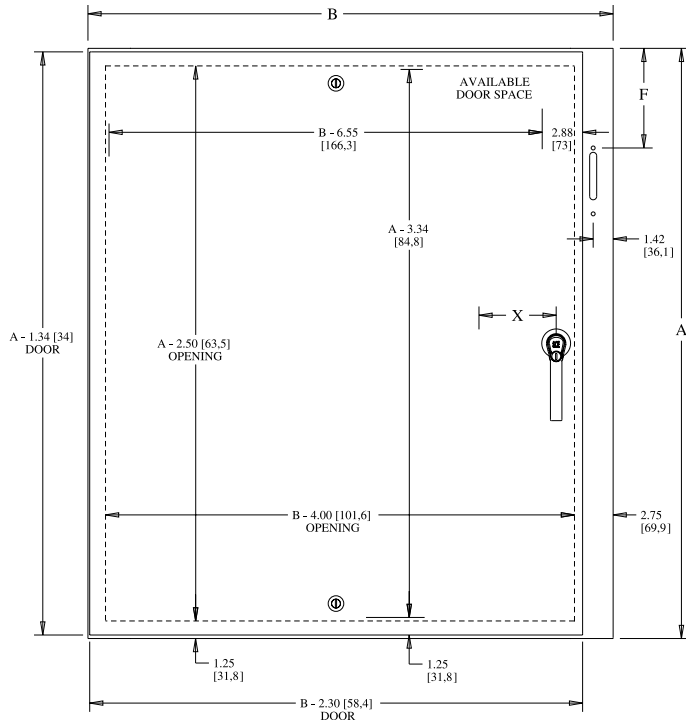


Phone (989) 799-6871
Fax (989) 799-4524



STAINLESS STEEL ENVIROLINE® SERIES SINGLE-DOOR ENCLOSURES FOR FLANGE-MOUNTED DISCONNECTS

TECHNICAL DATA



SECTION A-A

SUB-PANEL NOTES:
 Dimensions are from the inside of the door.
 C + .32 [8,1] for flat sub-panels
 C - .18 [4,5] for bent sub-panels

DISCONNECT NOTES:
 F = 4.75 [121] when C = 8.00 [203]
 F = 7.09 [180] when C = 10.00 [254]
 F = 11.62 [295] when C = 12.00 [304]
 F = 11.62 [295] when C = 16.00 [406]
 F = 18.38 [467] for SCE-60XEL3712LP4

LATCH NOTES:
 Omit center latch top and bottom of door when door width is ≤ 30.00 " [762]

HANDLE NOTES:
 On enclosures ≤ 42.00 [1067]
 X = 5.50 [140] and use 5.00 [127] padlocking handle with coin-proof.
 On enclosures > 42.00 [1067]
 X = 6.75 [171] and use 7.00 [178] padlocking handle with coin-proof.

Enclosures with a height dimension < 40.00 [1016] have a 2-point door closing mechanism.

Enclosures with a height dimension of ≥ 40.00 [1016] have a 3-point door latching mechanism.

CONSTRUCTION NOTES:
 Door will be 0.125 [3,1] thick material when enclosure height is ≥ 42.00 and door width is > 24.00

316 Stainless Steel Enviroline® Series Single-Door Enclosures For Flange-Mounted Disconnects

Application -

Designed to house most standard type disconnects. For outdoor application a drip shield is recommended. For installation information, consult our Installation Manual at www.saginawcontrol.com.

Construction -

- 0.075" stainless steel Type 316/316L.
- Seams continuously welded and ground smooth.
- Flange trough collar around all sides of door opening.
- Oil-resistant gasket.
- Collar studs provided for mounting optional sub-panels.
- Holes provided in body for mounting disconnect operating handle and operating mechanism.
- Stainless steel concealed hinges.
- Doors are interchangeable and easily removed by pulling hinge pin.
- 3-point latching mechanism.
- Latches are opened or closed with screwdriver (optional tamper-resistant inserts available).
- Mounting holes in back of enclosure.
- Mounting hardware, sealing washers and hole plugs included.
- Black quarter turn latches as required.
- Removable print pocket.
- Ground studs on door and body.
- Black zinc die cast coinproof/padlocking handle.

Disconnect switch (or circuit breaker) and operating mechanism are not furnished with this enclosure.

Finish -

#4 brushed finish on all exterior surfaces. Optional sub-panels powder coated white.

IS6 - Industry Standards -

NEMA Type 3R, 4, 4X, 12 & Type 13
UL Listed Type 3R, 4, 4X & 12
CSA Type 3R, 4, 4X & 12
IEC 60529 IP66

***Special Instructions apply for IS3, IS4 and IS6 to maintain the environmental rating of Type 3R for these parts. See the Special Instructions on the Industry Standards page in the Technical Information Section.

316 STAINLESS STEEL ENVIROLINE® SERIES SINGLE-DOOR ENCLOSURES FOR FLANGE-MOUNTED DISCONNECTS

ENCLOSURE PRODUCT CODE S7						SUB-PANEL (P3)			
Catalog No.	Height (A)	Width (B)	Depth (C)	Industry Standard	List Price	Catalog No.	Panel Height (E)	Panel Width (F)	List Price
SCE-20XEL2108SS6LP	20.00	21.38	8.00	IS6	1,091.33	SCE-20P20	17.00	17.00	35.44
SCE-24XEL2108SS6LP	24.00	21.38	8.00	IS6	1,189.05	SCE-24P20	21.00	17.00	45.57
SCE-24XEL2508SS6LP	24.00	25.38	8.00	IS6	1,293.30	SCE-24P24	21.00	21.00	53.18
SCE-24XEL2510SS6LP	24.00	25.38	10.00	IS6	1,382.87	SCE-24P24	21.00	21.00	53.18
SCE-30XEL2508SS6LP	30.00	25.38	8.00	IS6	1,515.05	SCE-30P24	27.00	21.00	63.29
SCE-30XEL2510SS6LP	30.00	25.38	10.00	IS6	1,650.98	SCE-30P24	27.00	21.00	63.29
SCE-36XEL2508SS6LP	36.00	25.38	8.00	IS6	1,738.16	SCE-36P24	33.00	21.00	75.96
SCE-36XEL3110SS6LP	36.00	31.38	10.00	IS6	2,045.09	SCE-36P30	33.00	27.00	101.27
SCE-36XEL3112SS6LP	36.00	31.38	12.00	IS6	2,162.90	SCE-36P30	33.00	27.00	101.27
SCE-42XEL3110SS6LP	42.00	31.38	10.00	IS6	2,329.23	SCE-42P30	39.00	27.00	116.47
SCE-42XEL3112SS6LP	42.00	31.38	12.00	IS6	2,459.55	SCE-42P30	39.00	27.00	116.47
SCE-42XEL3712SS6LP	42.00	37.38	12.00	IS6	2,671.29	SCE-42P36	39.00	33.00	136.72
SCE-42XEL3716SS6LP	42.00	37.38	16.00	IS6	2,988.92	SCE-42P36	39.00	33.00	136.72
SCE-48XEL3710SS6LP	48.00	37.38	10.00	IS6	2,752.73	SCE-48P36	45.00	33.00	154.46
SCE-48XEL3712SS6LP	48.00	37.38	12.00	IS6	2,907.47	SCE-48P36	45.00	33.00	154.46
SCE-48XEL3716SS6LP	48.00	37.38	16.00	IS6	3,233.25	SCE-48P36	45.00	33.00	154.46
SCE-60XEL3712SS6LP	60.00	37.38	12.00	IS6	3,629.05	SCE-60P36	57.00	33.00	189.89
SCE-60XEL3716SS6LP	60.00	37.38	16.00	IS6	3,971.10	SCE-60P36	57.00	33.00	189.89

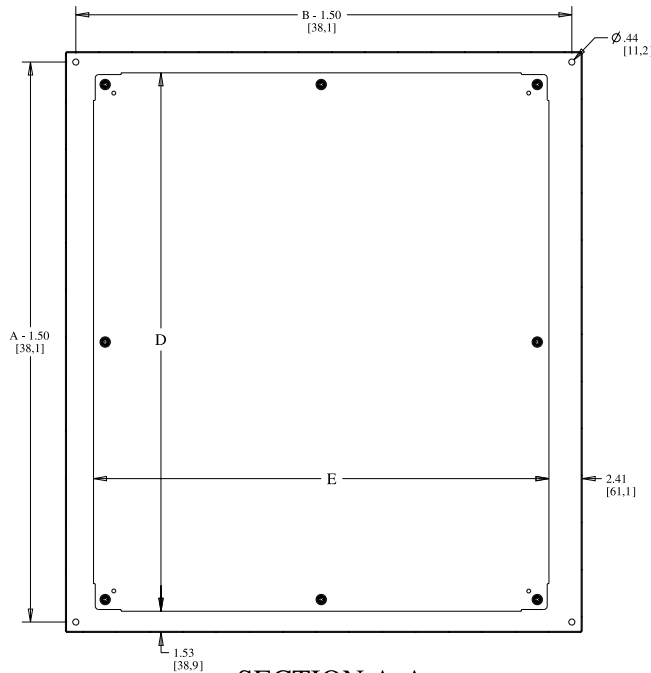
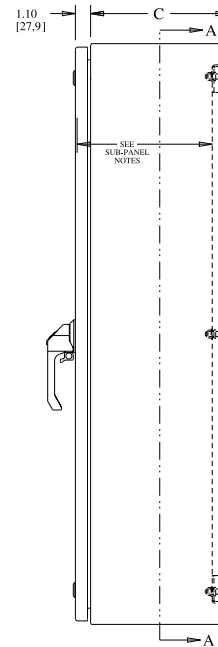
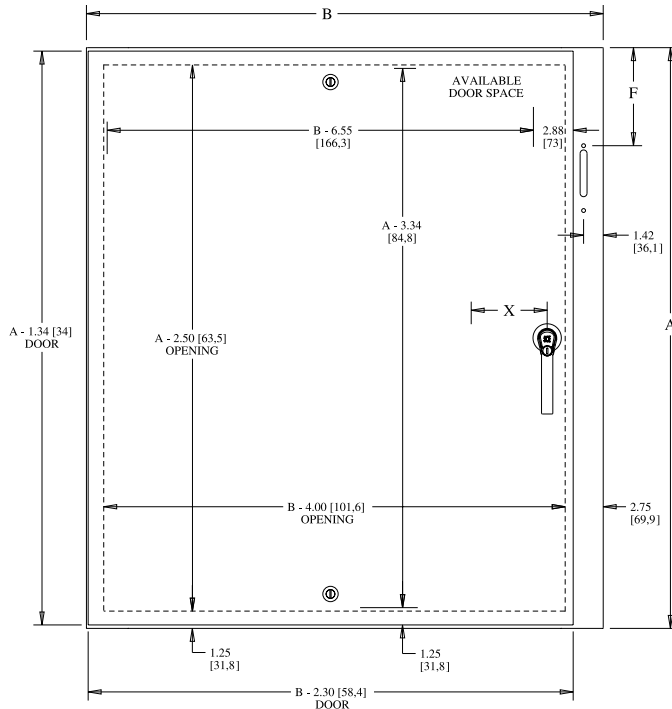


Phone (989) 799-6871
Fax (989) 799-4524



STAINLESS STEEL ENVIROLINE® SERIES SINGLE-DOOR ENCLOSURES FOR FLANGE-MOUNTED DISCONNECTS

TECHNICAL DATA



SECTION A-A

SUB-PANEL NOTES:
 Dimensions are from the inside of the door.
 C + .32 [8,1] for flat sub-panels
 C - .18 [4,5] for bent sub-panels

DISCONNECT NOTES:
 F = 4.75 [121] when C = 8.00 [203]
 F = 7.09 [180] when C = 10.00 [254]
 F = 11.62 [295] when C = 12.00 [304]
 F = 11.62 [295] when C = 16.00 [406]
 F = 18.38 [467] for SCE-60XEL3712LP4

LATCH NOTES:
 Omit center latch top and bottom of door when door width is ≤ 30.00 " [762]

HANDLE NOTES:
 On enclosures ≤ 42.00 [1067]
 X = 5.50 [140] and use 5.00 [127] padlocking handle with coin-proof.
 On enclosures > 42.00 [1067]
 X = 6.75 [171] and use 7.00 [178] padlocking handle with coin-proof.

Enclosures with a height dimension < 40.00 [1016] have a 2-point door closing mechanism.

Enclosures with a height dimension of ≥ 40.00 [1016] have a 3-point door latching mechanism.

CONSTRUCTION NOTES:
 Door will be 0.125 [3,1] thick material when enclosure height is ≥ 42.00 and door width is > 24.00



Phone (989) 799-6871
 Fax (989) 799-4524

Stainless Steel Enviroline® Series Wall-Mount Sloping Top Disconnect Enclosures

Application -

Designed to house most standard type disconnects. For installation information, consult our Installation Manual at www.saginawcontrol.com.

Construction -

- 0.075" stainless steel Type 304.
- Seams continuously welded and ground smooth.
- Flange trough collar around all sides of door opening.
- 15 Degree Sloping Top.
- Stainless steel concealed hinges.
- Stainless steel coinproof/padlocking handle.
- 3-point latching mechanism.
- Removable print pocket on main door of disconnect enclosures.
- Oil & water resistant gasket.
- Mounting hardware, sealing washers and hole plugs included.
- Black quarter turn latches as required.
- Ground stud on door and body.

Disconnect switch (or circuit breaker) and operating mechanism are not furnished with this enclosure.

Finish -

4 Brushed finish on all exterior surfaces.
Optional sub-panels powder coated white.

Options -

Wall-Mount Standoffs available under Mounting Options in the Accessories Section.

IS6 - Industry Standards -

NEMA Type 3R, 4, 4X, 12 & Type 13
UL Listed Type 3R, 4, 4X & 12
CSA Type 3R, 4, 4X & 12
IEC 60529 IP66

***Special Instructions apply for IS3, IS4 and IS6 to maintain the environmental rating of Type 3R for these parts. See the Special Instructions on the Industry Standards page in the Technical Information Section.

STAINLESS STEEL ENVIROLINE® SERIES WALL-MOUNT SLOPING TOP DISCONNECT ENCLOSURES

ENCLOSURE PRODUCT CODE S8						SUB-PANEL (P3)			
Catalog No.	Height (A)	Width (B)	Depth (C)	Industry Standard	List Price	Catalog No.	Panel Height (E)	Panel Width (F)	List Price
SCE-24XEL2510SSST	24.00	25.38	10.00	IS6	1,555.73	SCE-24P24	21.00	21.00	53.18
SCE-30XEL2510SSST	30.00	25.38	10.00	IS6	1,759.14	SCE-30P24	27.00	21.00	63.29
SCE-36XEL3110SSST	36.00	31.38	10.00	IS6	1,968.03	SCE-36P30	33.00	27.00	101.27
SCE-48XEL3712SSST	48.00	37.38	12.00	IS5	3,788.29	SCE-48P36	45.00	33.00	154.46
SCE-48XEL3716SSST	48.00	37.38	16.00	IS6	3,637.40	SCE-48P36	45.00	33.00	154.46
SCE-60XEL3716SSST	60.00	37.38	16.00	IS6	4,467.49	SCE-60P36	57.00	33.00	189.89

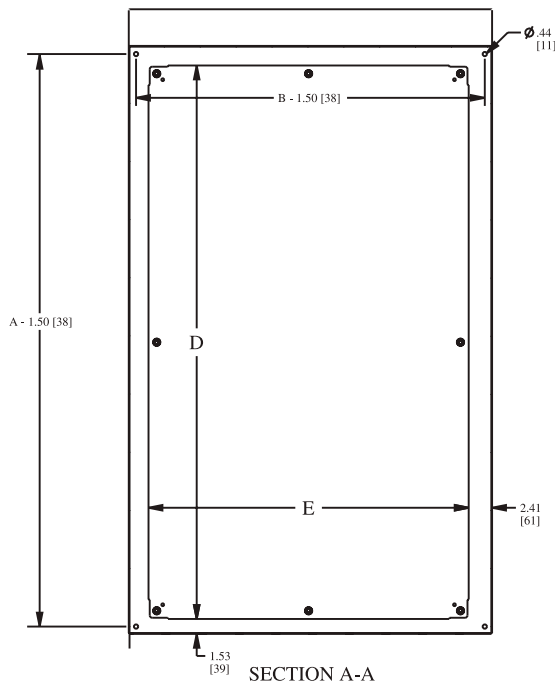
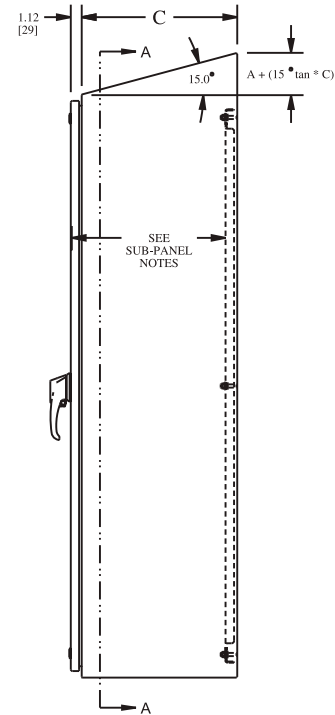
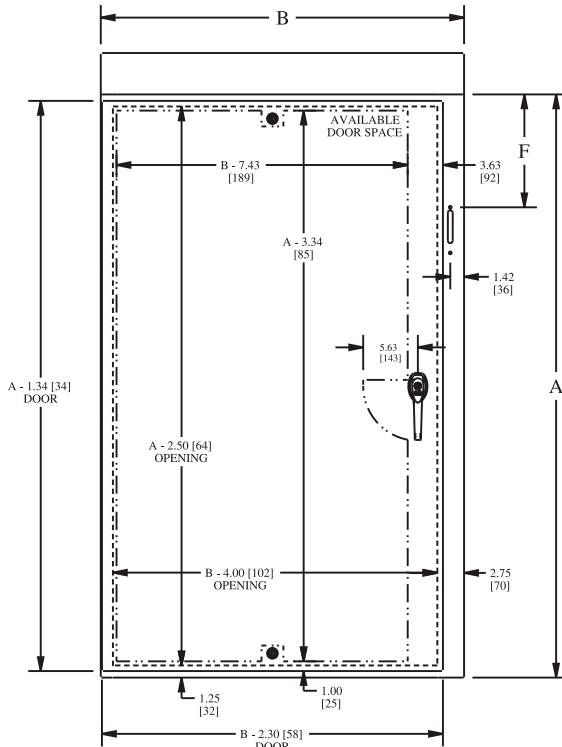


Phone (989) 799-6871
Fax (989) 799-4524



STAINLESS STEEL ENVIROLINE® SERIES WALL-MOUNT SLOPING TOP DISCONNECT ENCLOSURES

TECHNICAL DATA



SUB-PANEL NOTES:
 Dimensions are from the inside of the door
 C + 0.32 [8] for flat sub-panels
 C - 0.18 [5] for bent sub-panels

DISCONNECT NOTES:
 F = 4.75 [121] when C = 8.00 [203]
 F = 7.09 [180] when C = 10.00 [254]
 F = 11.62 [295] when C = 12.00 [304]
 F = 11.62 [295] when C = 16.00 [406]

LATCH NOTES:
 Enclosures with a height dimension < 40.00 [1016] have a 2-point door latching mechanism.
 Enclosures with a height dimension >= 40.00 [1016] have a 3-point door latching mechanism.
 Omit center latch top and bottom of door when door width is <= 30.00" [762]

304 & 316 Stainless Steel Clamp Fastened Enclosures For Flange-Mounted Disconnects

Application -

Designed to house most standard type disconnects. For installation information, consult our Installation Manual at www.saginawcontrol.com. For outdoor application a drip shield is recommended.

Construction -

- 0.075" stainless steel Type 304 & 316/316L.
- Seams continuously welded and ground smooth.
- Stainless steel continuous hinges.
- Flange trough collar around all sides of door opening.
- Interior print pocket.
- Oil-resistant door gasket.
- Ground studs on door and body.
- Disconnect cutout provided on flange.
- Stainless steel door clamps.
- No door stiffeners required.
- Collar studs provided for mounting optional sub-panels.
- Welded mounting provision top and bottom of back.
- Provision for Lifting Lugs included on enclosures with Height >48" and with Depth >16". Lifting Lug assembly included with the enclosure bolt pack.

Disconnect switch (or circuit breaker) and operating mechanism are not furnished with this enclosure.

Finish -

#4 brushed finish on all exterior surfaces. Optional sub-panels powder coated white.

IS6 - Industry Standards -

NEMA Type 3R, 4, 4X, 12 & Type 13
UL Listed Type 3R, 4, 4X & 12
CSA Type 3R, 4, 4X & 12
IEC 60529 IP66

***Special Instructions apply for IS3, IS4 and IS6 to maintain the environmental rating of Type 3R for these parts. See the Special Instructions on the Industry Standards page in the Technical Information Section.

304 STAINLESS STEEL CLAMP FASTENED ENCLOSURES FOR FLANGE-MOUNTED DISCONNECTS

ENCLOSURE PRODUCT CODE S3						SUB-PANEL (P3)			
Catalog No.	Height (A)	Width (B)	Depth (C)	Industry Standard	List Price	Catalog No.	Panel Height (E)	Panel Width (F)	List Price
SCE-24HS2108SSLP	24.00	21.38	8.00	IS6	1,115.76	SCE-24P20	21.00	17.00	45.57
SCE-24HS2508SSLP	24.00	25.38	8.00	IS6	1,227.06	SCE-24P24	21.00	21.00	53.18
SCE-30HS2508SSLP	30.00	25.38	8.00	IS6	1,392.66	SCE-30P24	27.00	21.00	63.29
SCE-36HS2508SSLP	36.00	25.38	8.00	IS6	1,558.25	SCE-36P24	33.00	21.00	75.96
SCE-36HS3108SSLP	36.00	31.38	8.00	IS6	1,786.29	SCE-36P30	33.00	27.00	101.27
SCE-42HS3112SSLP	42.00	31.38	12.00	IS6	2,236.93	SCE-42P30	39.00	27.00	116.47
SCE-42HS3712SSLP	42.00	37.38	12.00	IS6	2,513.83	SCE-42P36	39.00	33.00	136.72
SCE-48HS3712SSLP	48.00	37.38	12.00	IS6	2,763.60	SCE-48P36	45.00	33.00	154.46
SCE-60HS3712SSLP	60.00	37.38	12.00	IS6	3,265.81	SCE-60P36	57.00	33.00	189.89

316 STAINLESS STEEL CLAMP FASTENED ENCLOSURES FOR FLANGE-MOUNTED DISCONNECTS

ENCLOSURE PRODUCT CODE S7						SUB-PANEL (P3)			
Catalog No.	Height (A)	Width (B)	Depth (C)	Industry Standard	List Price	Catalog No.	Panel Height (E)	Panel Width (F)	List Price
SCE-24HS2108SS6LP	24.00	21.38	8.00	IS6	1,338.91	SCE-24P20	21.00	17.00	45.57
SCE-24HS2508SS6LP	24.00	25.38	8.00	IS6	1,472.47	SCE-24P24	21.00	21.00	53.18
SCE-30HS2508SS6LP	30.00	25.38	8.00	IS6	1,671.19	SCE-30P24	27.00	21.00	63.29
SCE-36HS2508SS6LP	36.00	25.38	8.00	IS6	1,869.90	SCE-36P24	33.00	21.00	75.96
SCE-36HS3108SS6LP	36.00	31.38	8.00	IS6	2,143.55	SCE-36P30	33.00	27.00	101.27
SCE-42HS3112SS6LP	42.00	31.38	12.00	IS6	2,684.32	SCE-42P30	39.00	27.00	116.47
SCE-42HS3712SS6LP	42.00	37.38	12.00	IS6	3,016.60	SCE-42P36	39.00	33.00	136.72
SCE-48HS3712SS6LP	48.00	37.38	12.00	IS6	3,316.32	SCE-48P36	45.00	33.00	154.46
SCE-60HS3712SS6LP	60.00	37.38	12.00	IS6	3,918.98	SCE-60P36	57.00	33.00	189.89

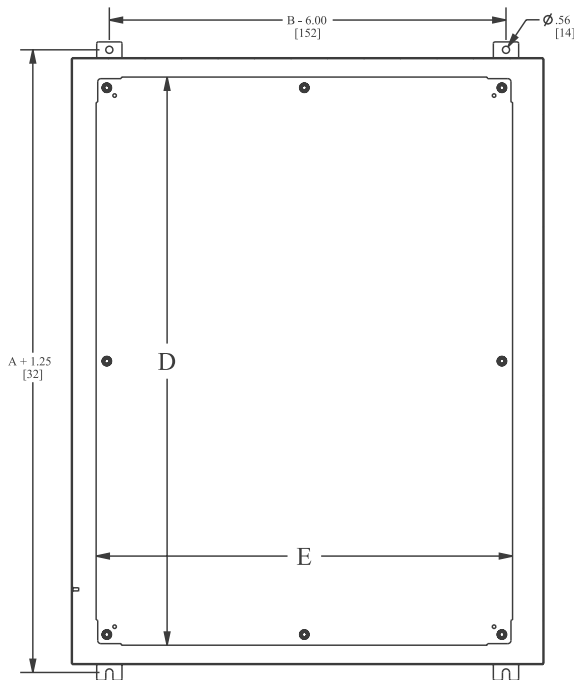
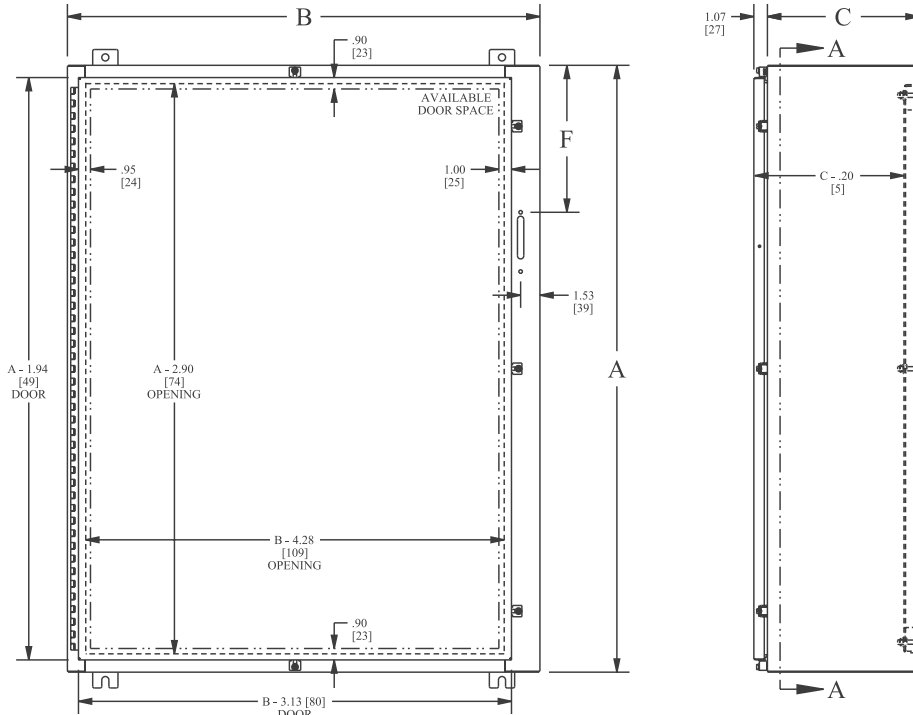


Phone (989) 799-6871
Fax (989) 799-4524



1 Operator System Enclosures
 2 Wall-Mount Enclosures
 3 Free-Standing & Floor-Mounted Enclosures
 4 Modular Enclosures
 5 Operator System Enclosures (Stainless Steel)
 6 Wall-Mount Enclosures (Stainless Steel)
 7 Free-Standing & Floor-Mounted Enclosures (Stainless Steel)
 8 Non-Metallic Enclosures
 9 Accessories
 10 Technical Information
 11 Index

STAINLESS STEEL CLAMP FASTENED ENCLOSURES FOR FLANGE-MOUNTED DISCONNECTS TECHNICAL DATA



SECTION A-A

DISCONNECT NOTES:
 F = 8.63 [219] when C = 8.00 [203]
 F = 11.63 [295] when C = 12.00 [304]

CLAMPING NOTES:
 Enclosures < 27.00 [686] in height require two clamps on door.
 Enclosures >= 27.00 [686] in height require three clamps on door.
 Omit center clamp top and bottom of door when door width is <= 30.00 [762]



Phone (989) 799-6871
 Fax (989) 799-4524

NOTES

- 11 Index
- 10 Technical Information
- 9 Accessories
- 8 Non-Metallic Enclosures
- 7 Free-Standing & Floor-Mounted Enclosures (Stainless Steel)
- 6 Wall-Mount Enclosures (Stainless Steel)
- 5 Operator System Enclosures (Stainless Steel)
- 4 Modular Enclosures
- 3 Free-Standing & Floor-Mounted Enclosures
- 2 Wall-Mount Enclosures
- 1 Operator System Enclosures

Phone (989) 799-6871
Fax (989) 799-4524



NOTES



Phone (989) 799-6871
Fax (989) 799-4524

- 1 Operator System Enclosures
- 2 Wall-Mount Enclosures
- 3 Free-Standing & Floor-Mounted Enclosures
- 4 Modular Enclosures
- 5 Operator System Enclosures (Stainless Steel)
- 6 Wall-Mount Enclosures (Stainless Steel)
- 7 Free-Standing & Floor-Mounted Enclosures (Stainless Steel)
- 8 Non-Metallic Enclosures
- 9 Accessories
- 10 Technical Information
- 11 Index

Free-Standing & Floor-Mounted Enclosures (Stainless Steel)

Enviroline® Series Two-Door Enclosures (304 & 316 Stainless Steel) 272 – 273



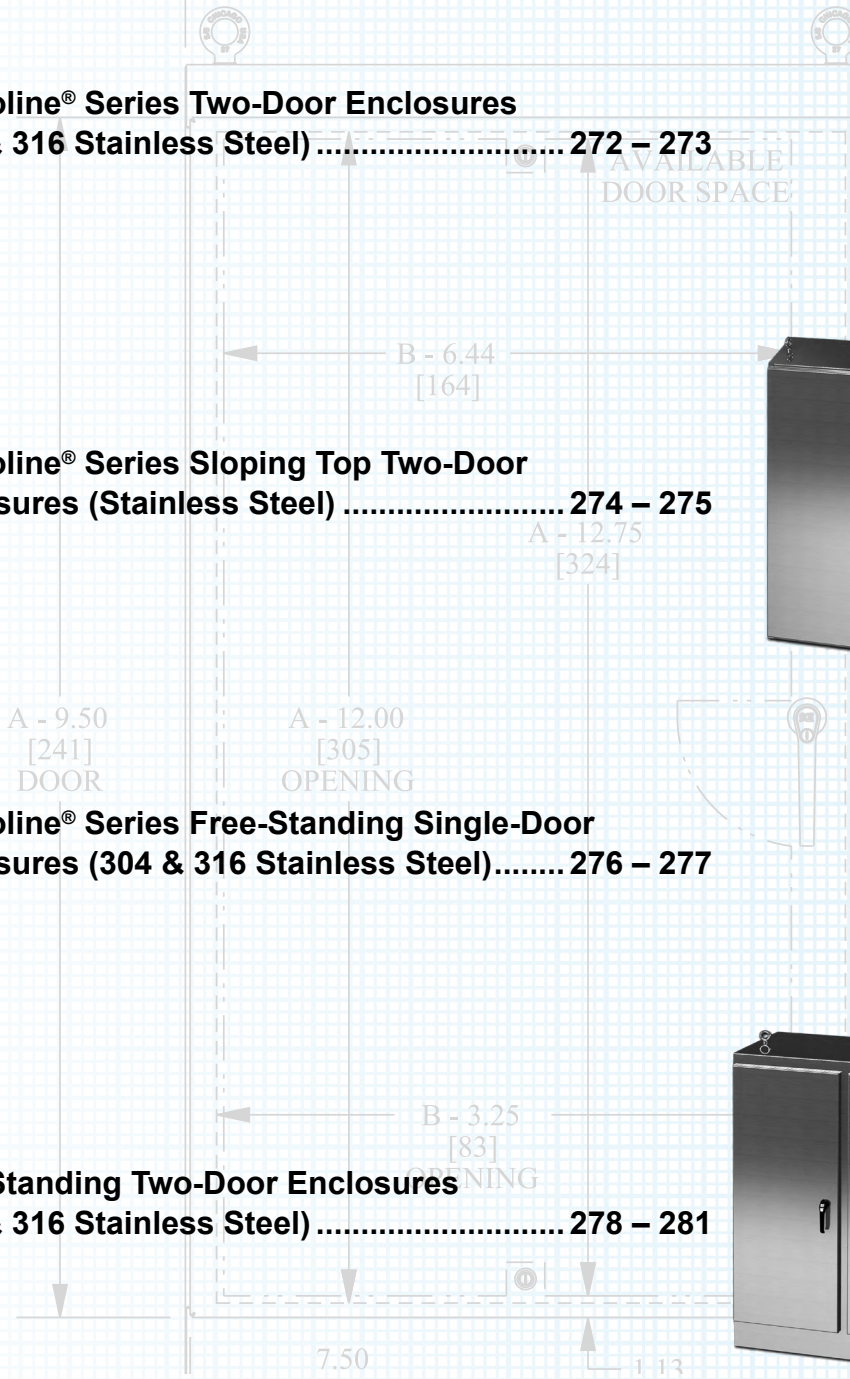
Enviroline® Series Sloping Top Two-Door Enclosures (Stainless Steel) 274 – 275



Enviroline® Series Free-Standing Single-Door Enclosures (304 & 316 Stainless Steel)..... 276 – 277



Free-Standing Two-Door Enclosures (304 & 316 Stainless Steel) 278 – 281



Phone (989) 799-6871
Fax (989) 799-4524



1 Operator System Enclosures
2 Wall-Mount Enclosures
3 Free-Standing & Floor-Mounted Enclosures
4 Modular Enclosures
5 Operator System Enclosures (Stainless Steel)
6 Wall-Mount Enclosures (Stainless Steel)
7 Free-Standing & Floor-Mounted Enclosures (Stainless Steel)
8 Non-Metallic Enclosures
9 Accessories
10 Technical Information
11 Index

Free-Standing & Floor-Mounted Enclosures (Stainless Steel)

Enviroline® Series Two-Door Enclosures for Flange-Mounted Disconnects (304 & 316 Stainless Steel) 282 – 283



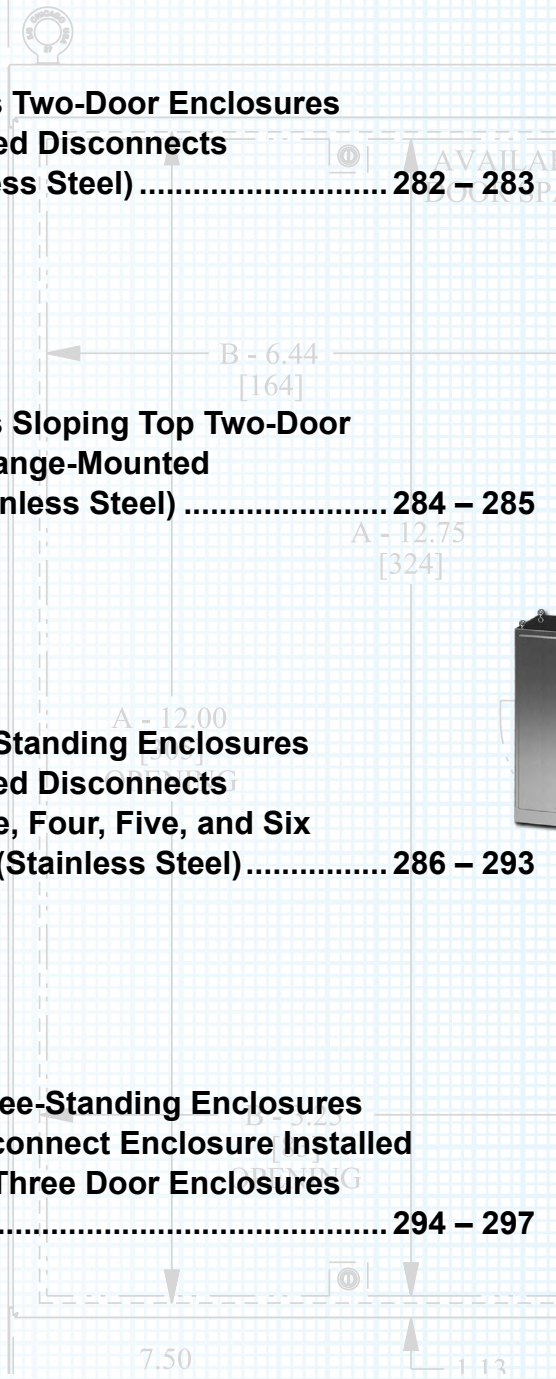
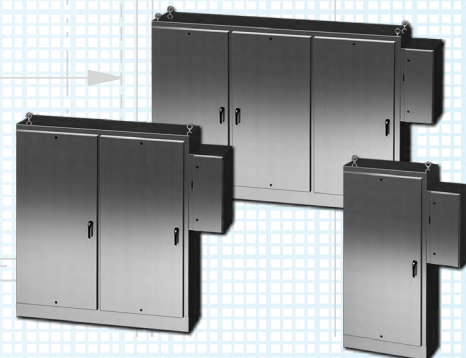
Enviroline® Series Sloping Top Two-Door Enclosures for Flange-Mounted Disconnects (Stainless Steel) 284 – 285



Heavy Duty Free-Standing Enclosures for Flange-Mounted Disconnects Single, Two, Three, Four, Five, and Six Door Enclosures (Stainless Steel) 286 – 293



XD Heavy Duty Free-Standing Enclosures with External Disconnect Enclosure Installed Single, Two, and Three Door Enclosures (Stainless Steel) 294 – 297



Phone (989) 799-6871
Fax (989) 799-4524



- 1 Operator System Enclosures
- 2 Wall-Mount Enclosures
- 3 Free-Standing & Floor-Mounted Enclosures
- 4 Modular Enclosures
- 5 Operator System Enclosures (Stainless Steel)
- 6 Wall-Mount Enclosures (Stainless Steel)
- 7 Free-Standing & Floor-Mounted Enclosures (Stainless Steel)
- 8 Non-Metallic Enclosures
- 9 Accessories
- 10 Technical Information
- 11 Index

Stainless Steel EnviroLine® Series Two-Door Enclosures With 3-Point Hardware

Application -

Designed to house electrical and electronic controls, instrumentation and components in indoor & outdoor locations. For outdoor applications a drip shield is recommended. For installation information, consult our Installation Manual at www.saginawcontrol.com.

Construction -

- 0.104" stainless steel Type 304 & 316/316L.
- Seams continuously welded and ground smooth.
- Flange trough collar around all sides of door opening.
- Removable center post.
- Heavy duty lifting eyes anchored into reinforced top.
- Body stiffeners.
- Black quarter turn latches as required.
- Stainless steel concealed hinges.
- Black keylocking/padlocking handles.
- 3-point latching mechanism.
- Removable print pocket.
- 12" removable floor stands.
- Panel supports.
- Provisions for mechanical interlock.
- Oil & water resistant gasket.
- Ground stud on door and body.
- Provisions for light kit.

Options -

Provisions for mechanical interlock. See Accessory section to order.

Finish -

#4 brushed finish on all exterior surfaces.
Optional sub-panels powder coated white.

IS6 - Industry Standards -

NEMA Type 3R, 4, 4X, 12 & Type 13
UL Listed Type 3R, 4, 4X & 12
CSA Type 3R, 4, 4X & 12
IEC 60529 IP66

***Special Instructions apply for IS3, IS4 and IS6 to maintain the environmental rating of Type 3R for these parts. See the Special Instructions on the Industry Standards page in the Technical Information Section.

304 STAINLESS STEEL ENVIROLINE® SERIES TWO-DOOR ENCLOSURES WITH 3-POINT HARDWARE

ENCLOSURE PRODUCT CODE S4						SUB-PANEL (P3)			
Catalog No.	Height (A)	Width (B)	Depth (C)	Industry Standard	List Price	Catalog No.	Panel Height (E)	Panel Width (F)	List Price
SCE-60EL4812SSLPPL	60.00	48.00	12.00	IS6	6,956.49	SCE-60P48	56.00	44.00	268.38
SCE-60EL4818SSLPPL	60.00	48.00	18.00	IS6	7,378.64	SCE-60P48	56.00	44.00	268.38
SCE-60EL6012SSLPPL	60.00	60.00	12.00	IS6	7,807.56	SCE-60P60	56.00	56.00	331.68
SCE-60EL6018SSLPPL	60.00	60.00	18.00	IS6	8,176.75	SCE-60P60	56.00	56.00	331.68
SCE-72EL6012SSLPPL	72.00	60.00	12.00	IS6	8,904.31	SCE-72P60	68.00	56.00	394.98
SCE-72EL6018SSLPPL	72.00	60.00	18.00	IS6	9,094.34	SCE-72P60	68.00	56.00	394.98
SCE-72EL7212SSLPPL	72.00	72.00	12.00	IS6	9,615.57	SCE-72P72	68.00	68.00	470.93
SCE-72EL7218SSLPPL	72.00	72.00	18.00	IS6	10,334.97	SCE-72P72	68.00	68.00	470.93
SCE-72EL7224SSLPPL	72.00	72.00	24.00	IS6	10,702.00	SCE-72P72	68.00	68.00	470.93

316 STAINLESS STEEL ENVIROLINE® SERIES TWO-DOOR ENCLOSURES WITH 3-POINT HARDWARE

ENCLOSURE PRODUCT CODE S7						SUB-PANEL (P3)			
Catalog No.	Height (A)	Width (B)	Depth (C)	Industry Standard	List Price	Catalog No.	Panel Height (E)	Panel Width (F)	List Price
SCE-60EL4812SS6LPPL	60.00	48.00	12.00	IS6	8,347.79	SCE-60P48	56.00	44.00	268.38
SCE-60EL4818SS6LPPL	60.00	48.00	18.00	IS6	8,854.36	SCE-60P48	56.00	44.00	268.38
SCE-60EL6012SS6LPPL	60.00	60.00	12.00	IS6	9,369.07	SCE-60P60	56.00	56.00	331.68
SCE-60EL6018SS6LPPL	60.00	60.00	18.00	IS6	9,812.11	SCE-60P60	56.00	56.00	331.68
SCE-72EL6012SS6LPPL	72.00	60.00	12.00	IS6	10,685.17	SCE-72P60	68.00	56.00	394.98
SCE-72EL6018SS6LPPL	72.00	60.00	18.00	IS6	10,913.21	SCE-72P60	68.00	56.00	394.98
SCE-72EL7212SS6LPPL	72.00	72.00	12.00	IS6	11,538.68	SCE-72P72	68.00	68.00	470.93
SCE-72EL7218SS6LPPL	72.00	72.00	18.00	IS6	12,401.96	SCE-72P72	68.00	68.00	470.93
SCE-72EL7224SS6LPPL	72.00	72.00	24.00	IS6	12,842.40	SCE-72P72	68.00	68.00	470.93

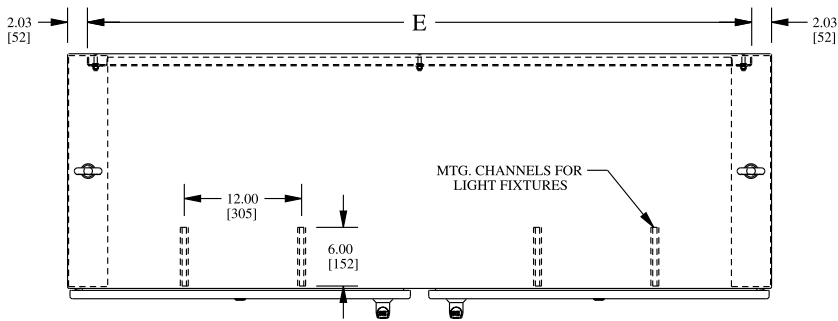


Phone (989) 799-6871
Fax (989) 799-4524

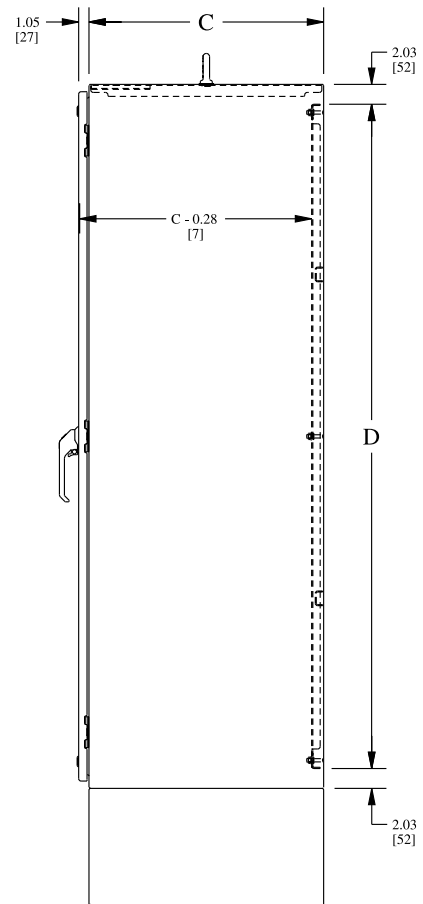
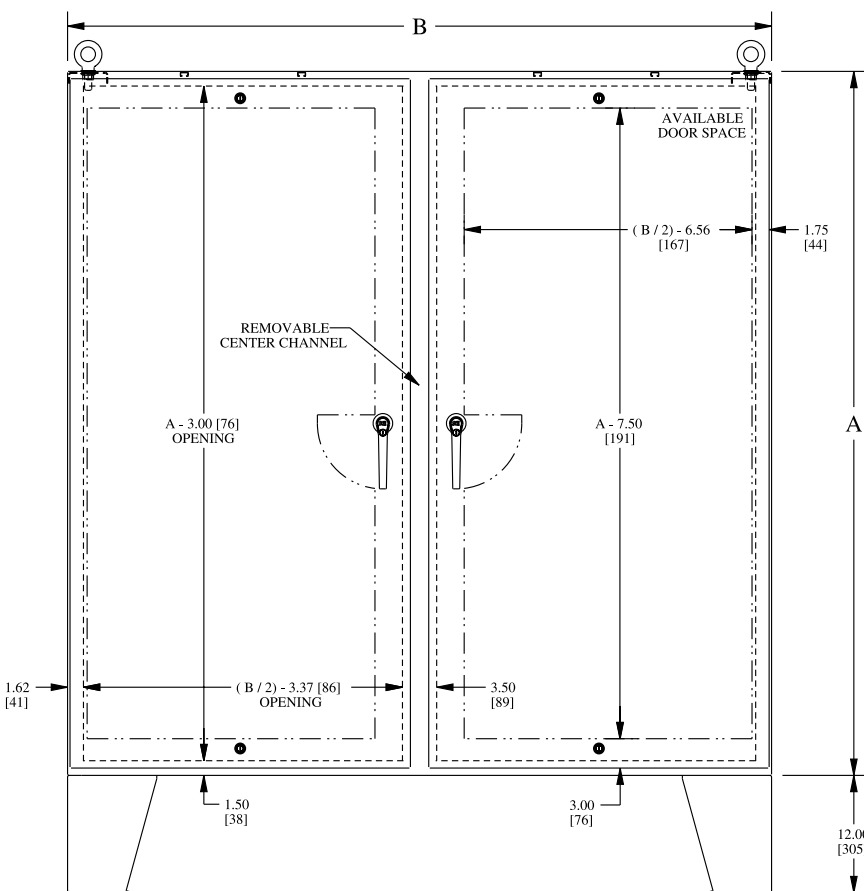


STAINLESS STEEL ENVIROLINE® SERIES TWO-DOOR ENCLOSURES WITH 3-POINT HARDWARE

TECHNICAL DATA



LATCH NOTE:
Omit center latch top and bottom of door when door width is < 30.00 [762]



Stainless Steel Enviroline® Series Two-Door Sloping Top Enclosures

Application -

Designed to house electrical and electronic controls, instrumentation and components in indoor, outdoor and sanitary locations. For Installation information, consult our Installation Manual at www.saginawcontrol.com.

Construction -

- 0.104" stainless steel Type 304.
- Seams continuously welded and ground smooth.
- Flange trough collar around all sides of door opening.
- 15 Degree Sloping Top.
- Removable center post.
- Heavy duty lifting eyes anchor into reinforced top.
- Body stiffeners.
- Black quarter turn latches as required.
- Stainless steel concealed hinges.
- Stainless steel padlocking handles.
- 3-point latching mechanism.
- Removable print pocket.
- Provisions for floor stands.
- Panel supports.
- Oil & water resistant gasket.
- Ground stud on door and body.
- Provisions for light kit.

Finish -

#4 brushed finish on all exterior surfaces.
Optional sub-panels powder coated white.

IS6 - Industry Standards -

NEMA Type 3R, 4, 4X, 12 & Type 13
UL Listed Type 3R, 4, 4X & 12
CSA Type 3R, 4, 4X & 12
IEC 60529 IP66

***Special Instructions apply for IS3, IS4 and IS6 to maintain the environmental rating of Type 3R for these parts. See the Special Instructions on the Industry Standards page in the Technical Information Section.

STAINLESS STEEL ENVIROLINE® SERIES TWO-DOOR SLOPING TOP ENCLOSURES

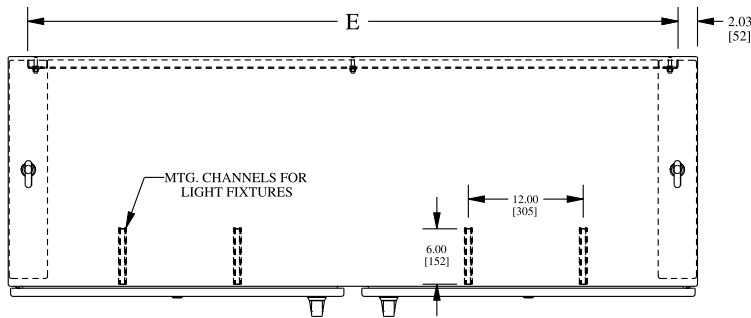
ENCLOSURE PRODUCT CODE S8						SUB-PANEL (P3)			
Catalog No.	Height (A)	Width (B)	Depth (C)	Industry Standard	List Price	Catalog No.	Panel Height (E)	Panel Width (F)	List Price
SCE-60EL4812SSST	60.00	48.00	12.00	IS6	9,739.09	SCE-60P48	56.00	44.00	268.38
SCE-60EL4818SSST	60.00	48.00	18.00	IS6	10,330.10	SCE-60P48	56.00	44.00	268.38
SCE-60EL6012SSST	60.00	60.00	12.00	IS6	10,930.58	SCE-60P60	56.00	56.00	331.68
SCE-60EL6018SSST	60.00	60.00	18.00	IS6	11,447.45	SCE-60P60	56.00	56.00	331.68
SCE-72EL6012SSST	72.00	60.00	12.00	IS6	12,466.03	SCE-72P60	68.00	56.00	394.98
SCE-72EL6018SSST	72.00	60.00	18.00	IS6	12,732.08	SCE-72P60	68.00	56.00	394.98
SCE-72EL7212SSST	72.00	72.00	12.00	IS6	13,461.80	SCE-72P72	68.00	68.00	470.93
SCE-72EL7218SSST	72.00	72.00	18.00	IS6	14,468.96	SCE-72P72	68.00	68.00	470.93
SCE-72EL7224SSST	72.00	72.00	24.00	IS6	14,982.80	SCE-72P72	68.00	68.00	470.93



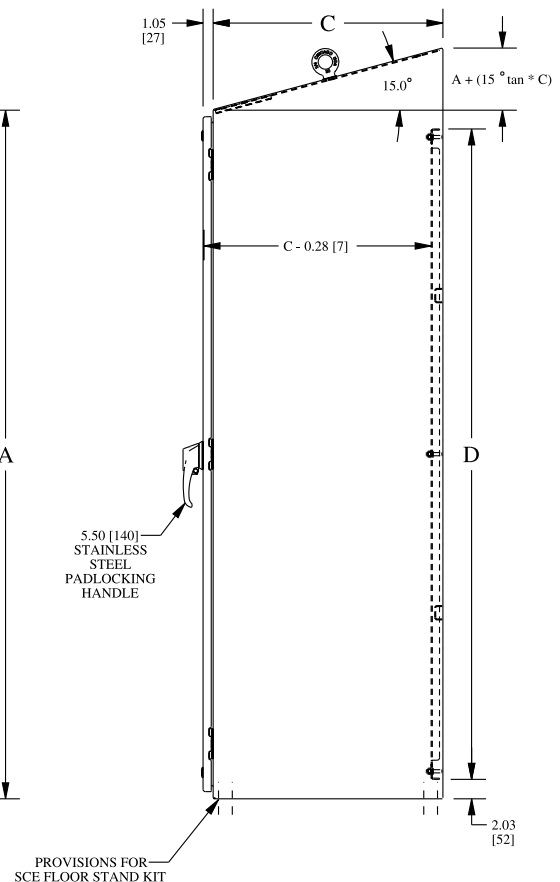
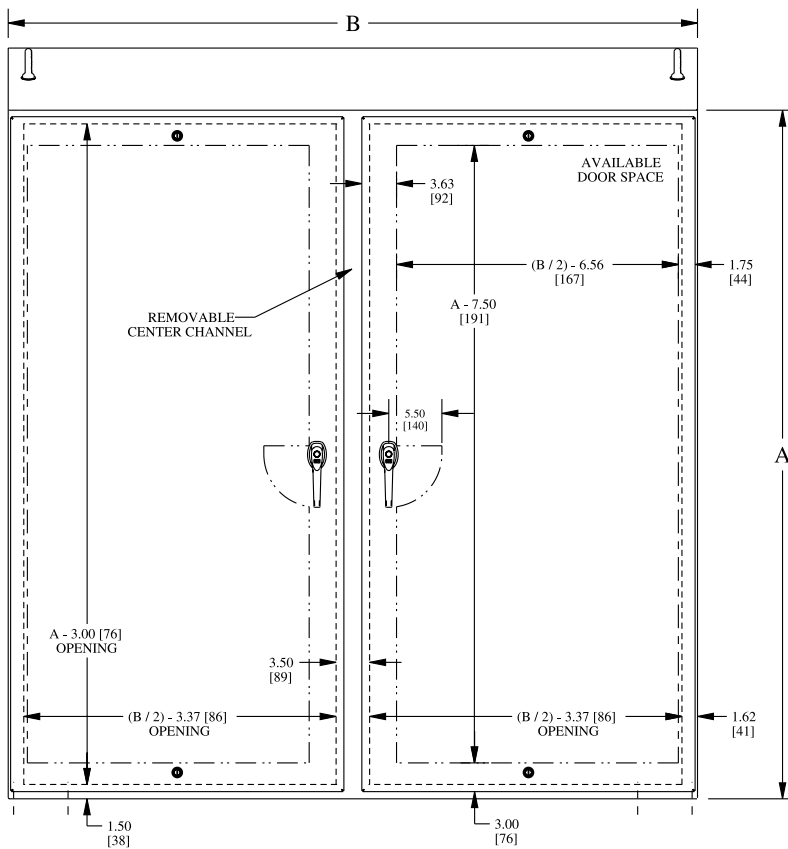
Phone (989) 799-6871
Fax (989) 799-4524



STAINLESS STEEL ENVIROLINE® SERIES TWO-DOOR SLOPING TOP ENCLOSURES TECHNICAL DATA



LATCH NOTE:
Omit center latch top and bottom of door when door width is < 30.00 [762]



Stainless Steel Enviroline® Series Free-Standing Single-Door Enclosures

Application -

Designed to house electrical and electronic controls, instruments and components. Provides a degree of protection from dust, oil and water. For installation information, consult our Installation Manual at www.saginawcontrol.com. For outdoor application a drip shield is recommended.

Construction -

- 0.104" stainless steel Type 304 & 316/316L.
- Seams continuously welded and ground smooth.
- Oil-resistant gasket.
- Flange trough collar around all sides of door opening.
- Stainless steel concealed hinges.
- Black zinc die cast keylocking/padlocking handle.
- Removable and interchangeable doors.
- Black quarter turn latches as required.
- Removable print pocket.
- Lifting eyes for easy handling.
- Ground studs on door and body.
- Mounting channels welded horizontally on sides of interior body at top, bottom and middle for mounting optional panels or rack mounting angles.
- No door stiffeners required.
- Provisions for light kit.

Finish -

#4 brushed finish on all exterior surfaces. Optional sub-panels powder coated white.

Accessories - See page 132

IS6 - Industry Standards -
NEMA Type 3R, 4, 4X, 12 & Type 13
UL Listed Type 3R, 4, 4X & 12
CSA Type 3R, 4, 4X & 12
IEC 60529 IP66

***Special Instructions apply for IS3, IS4 and IS6 to maintain the environmental rating of Type 3R for these parts. See the Special Instructions on the Industry Standards page in the Technical Information Section.

304 STAINLESS STEEL ENVIROLINE® SERIES SINGLE-DOOR SINGLE-ACCESS ENCLOSURES

ENCLOSURE PRODUCT CODE S4					
Catalog No.	Height (A)	Width (B)	Depth (C)	Industry Standard	List Price
SCE-60EL2418SSFS	60.00	24.00	18.00	IS6	4,239.55
SCE-60EL3624SSFS	60.00	36.00	24.00	IS6	5,108.64
SCE-72EL2418SSFS	72.00	24.00	18.00	IS6	4,502.73
SCE-72EL2424SSFS	72.00	24.00	24.00	IS6	4,849.77
SCE-72EL3018SSFS	72.00	30.00	18.00	IS6	4,833.41
SCE-72EL3024SSFS	72.00	30.00	24.00	IS6	5,367.27
SCE-72EL3618SSFS	72.00	36.00	18.00	IS6	5,345.91
SCE-72EL3624SSFS	72.00	36.00	24.00	IS6	5,981.36
SCE-72EL3630SSFS	72.00	36.00	30.00	IS6	6,616.82
SCE-72EL3636SSFS	72.00	36.00	36.00	IS6	7,252.27
SCE-90EL2420SSFS	90.00	24.00	20.00	IS6	5,325.00
SCE-90EL3620SSFS	90.00	36.00	20.00	IS6	6,618.18
SCE-90EL3624SSFS	90.00	36.00	24.00	IS6	7,188.18
SCE-90EL3636SSFS	90.00	36.00	36.00	IS6	8,386.82

316 STAINLESS STEEL ENVIROLINE® SERIES SINGLE-DOOR SINGLE-ACCESS ENCLOSURES

ENCLOSURE PRODUCT CODE S7					
Catalog No.	Height (A)	Width (B)	Depth (C)	Industry Standard	List Price
SCE-60EL2418SS6FS	60.00	24.00	18.00	IS6	5,087.45
SCE-60EL3624SS6FS	60.00	36.00	24.00	IS6	6,130.36
SCE-72EL2418SS6FS	72.00	24.00	18.00	IS6	5,403.27
SCE-72EL2424SS6FS	72.00	24.00	24.00	IS6	5,819.73
SCE-72EL3018SS6FS	72.00	30.00	18.00	IS6	5,800.09
SCE-72EL3024SS6FS	72.00	30.00	24.00	IS6	6,440.73
SCE-72EL3618SS6FS	72.00	36.00	18.00	IS6	6,415.09
SCE-72EL3624SS6FS	72.00	36.00	24.00	IS6	7,177.64
SCE-72EL3630SS6FS	72.00	36.00	30.00	IS6	7,940.18
SCE-72EL3636SS6FS	72.00	36.00	36.00	IS6	8,702.73
SCE-90EL2420SS6FS	90.00	24.00	20.00	IS6	6,390.00
SCE-90EL3620SS6FS	90.00	36.00	20.00	IS6	7,941.82
SCE-90EL3624SS6FS	90.00	36.00	24.00	IS6	8,625.82
SCE-90EL3636SS6FS	90.00	36.00	36.00	IS6	10,064.18

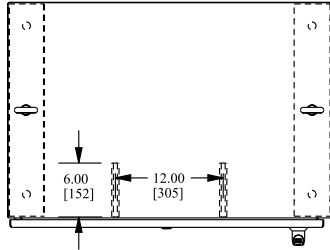


Phone (989) 799-6871
Fax (989) 799-4524

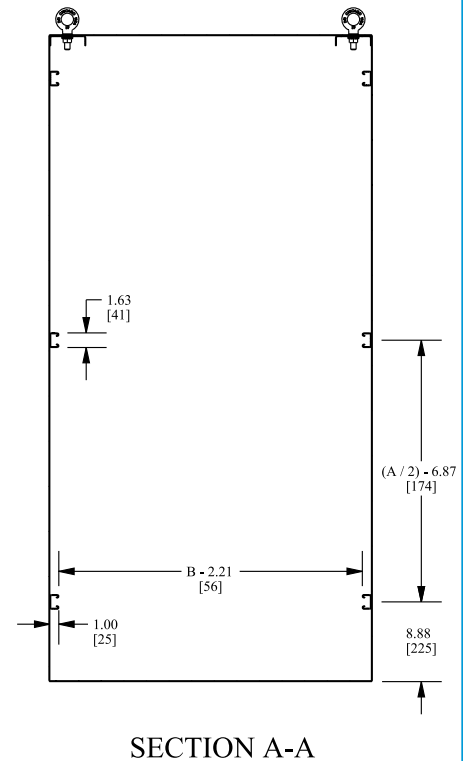
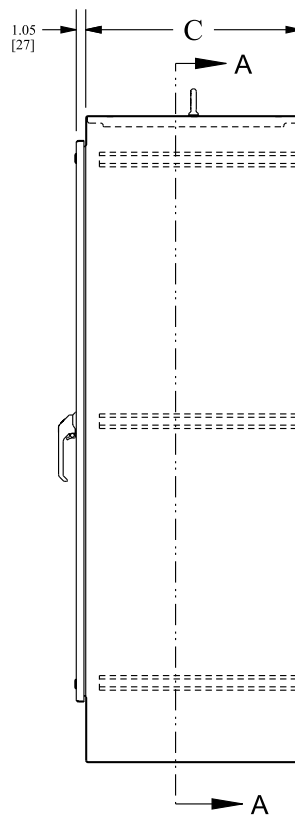
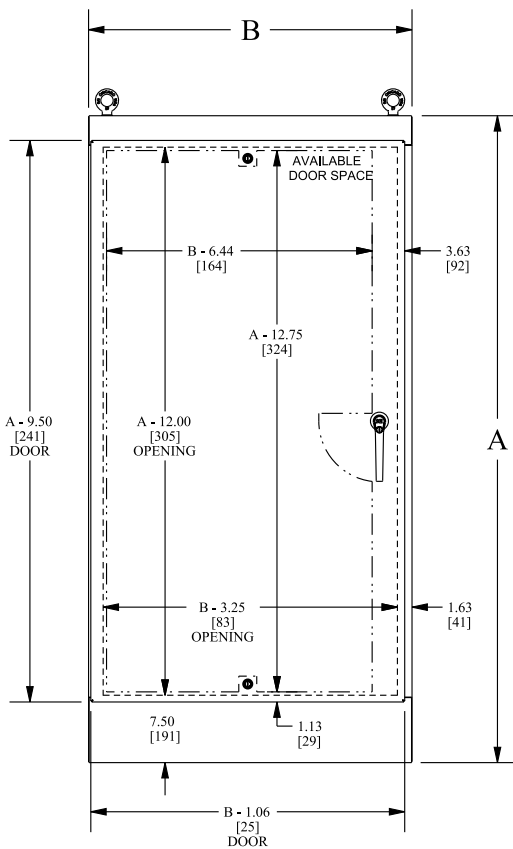


1 Operator System Enclosures
2 Wall-Mount Enclosures
3 Free-Standing & Floor-Mounted Enclosures
4 Modular Enclosures
5 Operator System Enclosures (Stainless Steel)
6 Wall-Mount Enclosures (Stainless Steel)
7 Free-Standing & Floor-Mounted Enclosures (Stainless Steel)
8 Non-Metallic Enclosures
9 Accessories
10 Technical Information
11 Index

STAINLESS STEEL ENVIROLINE® SERIES FREE-STANDING SINGLE-DOOR SINGLE-ACCESS ENCLOSURES TECHNICAL DATA



LATCH NOTE:
OMIT CENTER LATCH TOP
AND BOTTOM OF DOOR WHEN
DOOR WIDTH IS < 30.00 [762]



Stainless Steel Enviroline® Series Free-Standing Two-Door Enclosures

Application -

Designed to house a variety of electrical and electronic controls and instruments. Provisions for optional surface mounting or rack mounting of almost any type of equipment. Provides a degree protection from dust, dirt, water and oil. The enclosures are extra deep for applications requiring more interior space.

Construction -

- 0.104" Stainless Steel Type 304 & 316/316L.
- Removable and interchangeable doors.
- Stainless steel concealed hinges.
- Seams continuously welded and ground smooth.
- Strong, rigid construction with stiffeners welded on backs of single access boxes.
- Lifting eyes for easy handling.
- Black zinc die cast keylocking/padlocking handle.
- 3-point latching mechanism.
- Black quarter turn latches as required.
- Latch rods have ramp shoes for easier door closing.
- Flange trough collar around all sides of door opening.
- Removable center post.
- Removable print pocket.
- Mounting channels welded horizontally on sides of interior body at top, bottom and middle for mounting optional panels or rack mounting angles.
- Oil resistant gasket.
- Ground stud on door and body.
- Provisions for light kit.

Finish -

#4 brushed finish on all exterior surfaces. Optional sub-panels powder coated white.

Accessories - See page 133

IS6 - Industry Standards -

NEMA Type 3R, 4, 4X, 12 & Type 13
UL Listed Type 3R, 4, 4X & 12
CSA Type 3R, 4, 4X & 12
IEC 60529 IP66

***Special Instructions apply for IS3, IS4 and IS6 to maintain the environmental rating of Type 3R for these parts. See the Special Instructions on the Industry Standards page in the Technical Information Section.

304 STAINLESS STEEL ENVIROLINE® SERIES FREE-STANDING TWO-DOOR ENCLOSURES

ENCLOSURE PRODUCT CODE S4					
Catalog No.	Height (A)	Width (B)	Depth (C)	Industry Standard	List Price
SCE-60EL4818SSFSD	60.00	48.00	18.00	IS6	8,019.42
SCE-72EL4818SSFSD	72.00	48.00	18.00	IS6	8,840.69
SCE-72EL4824SSFSD	72.00	48.00	24.00	IS6	9,521.55
SCE-72EL6018SSFSD	72.00	60.00	18.00	IS6	9,861.99
SCE-72EL6024SSFSD	72.00	60.00	24.00	IS6	10,615.02
SCE-72EL6036SSFSD	72.00	60.00	36.00	IS6	12,110.83
SCE-72EL7218SSFSD	72.00	72.00	18.00	IS6	10,906.00
SCE-72EL7224SSFSD	72.00	72.00	24.00	IS6	11,731.26
SCE-90EL4820SSFSD	90.00	48.00	20.00	IS6	10,321.52
SCE-90EL7220SSFSD	90.00	72.00	20.00	IS6	12,820.70
SCE-90EL7224SSFSD	90.00	72.00	24.00	IS6	13,429.38
SCE-90EL7236SSFSD	90.00	72.00	36.00	IS6	15,275.91

316 STAINLESS STEEL ENVIROLINE® SERIES FREE-STANDING TWO-DOOR ENCLOSURES

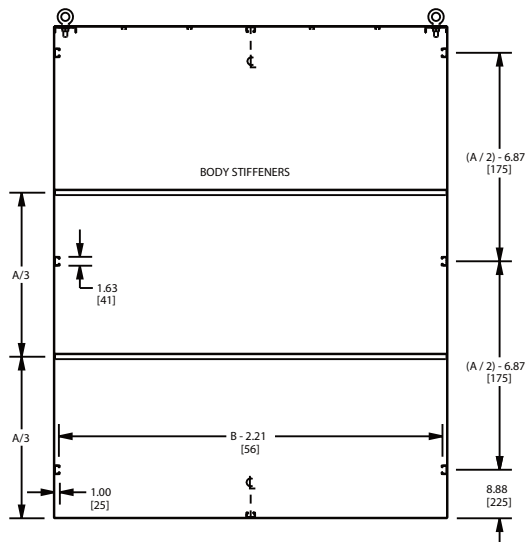
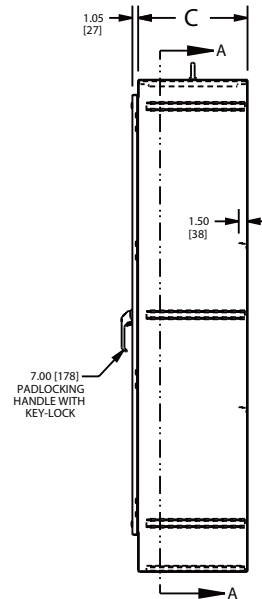
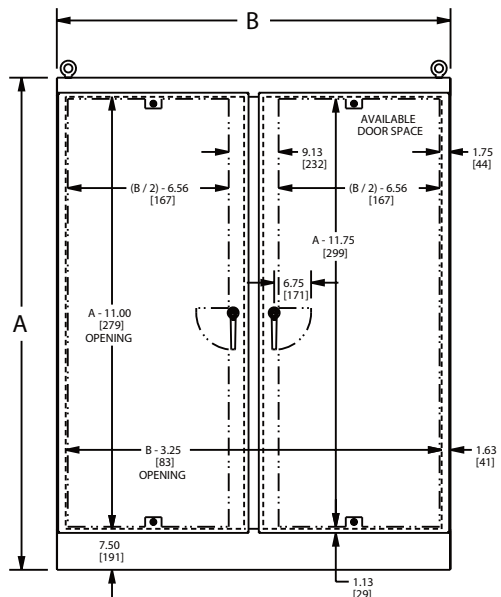
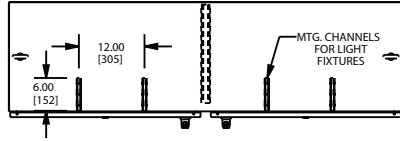
ENCLOSURE PRODUCT CODE S7					
Catalog No.	Height (A)	Width (B)	Depth (C)	Industry Standard	List Price
SCE-60EL4818SS6FSD	60.00	48.00	18.00	IS6	9,623.31
SCE-72EL4818SS6FSD	72.00	48.00	18.00	IS6	10,608.83
SCE-72EL4824SS6FSD	72.00	48.00	24.00	IS6	11,425.87
SCE-72EL6018SS6FSD	72.00	60.00	18.00	IS6	11,834.39
SCE-72EL6024SS6FSD	72.00	60.00	24.00	IS6	12,738.03
SCE-72EL6036SS6FSD	72.00	60.00	36.00	IS6	14,533.00
SCE-72EL7218SS6FSD	72.00	72.00	18.00	IS6	13,087.20
SCE-72EL7224SS6FSD	72.00	72.00	24.00	IS6	14,077.51
SCE-90EL4820SS6FSD	90.00	48.00	20.00	IS6	12,385.82
SCE-90EL7220SS6FSD	90.00	72.00	20.00	IS6	15,384.84
SCE-90EL7224SS6FSD	90.00	72.00	24.00	IS6	16,115.26
SCE-90EL7236SS6FSD	90.00	72.00	36.00	IS6	18,331.10



Phone (989) 799-6871
Fax (989) 799-4524



STAINLESS STEEL ENVIROLINE® SERIES FREE-STANDING TWO-DOOR ENCLOSURES TECHNICAL DATA



LATCH NOTE:
OMIT CENTER LATCH TOP AND
BOTTOM OF DOOR WHEN DOOR
WIDTH IS $\leq 30.00"$ [762]

SECTION A-A

Stainless Steel Free-Standing Enclosures

Application -

Designed to house a variety of electrical and electronic controls and instruments. Provisions for optional surface mounting or rack mounting of almost any type of equipment. Provides a degree of protection from dust, dirt, water and oil. The enclosures are extra deep for applications requiring more interior space.

Construction -

- 0.104" stainless steel Type 304.
- Removable and interchangeable doors.
- Stainless steel concealed hinges.
- Seams continuously welded and ground smooth.
- Strong, rigid construction with stiffeners welded on backs of single access boxes.
- Lifting eyes for easy handling.
- Black zinc die cast keylocking/padlocking handle.
- 3-point latching mechanism.
- Latch rods have ramp shoes for easier door closing.
- Flange trough collar around all sides of door opening.
- Removable print pocket provided on door with 3-point latch.
- Mounting channels welded horizontally on sides of interior body at top, bottom and middle for mounting optional panels or rack mounting angles.
- Oil resistant gasket.
- Ground stud on door and body.
- Provisions for light kit.

Finish -

#4 brushed finish on all exterior surfaces. Optional sub-panels powder coated white.

Accessories - See page 133

IS3 - Industry Standards -

NEMA Type 3R, 12 & Type 13
UL Listed Type 3R & 12
CSA Type 3R & 12
IEC 60529 IP55

***Special Instructions apply for IS3, IS4 and IS6 to maintain the environmental rating of Type 3R for these parts. See the Special Instructions on the Industry Standards page in the Technical Information Section.

STAINLESS STEEL FREE-STANDING TWO-DOOR SINGLE ACCESS ENCLOSURES

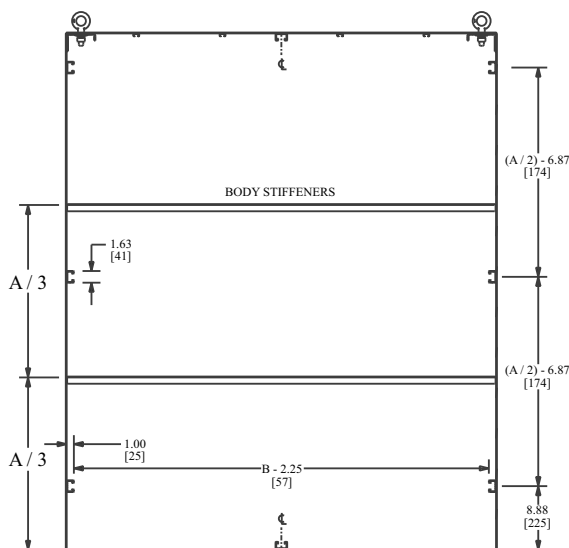
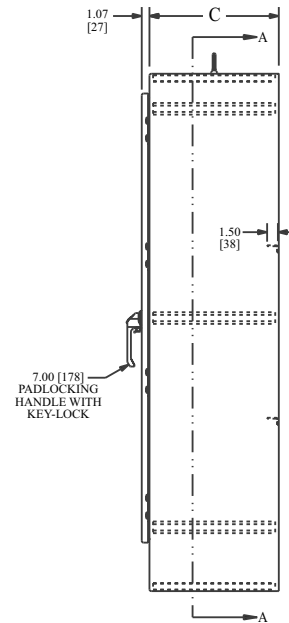
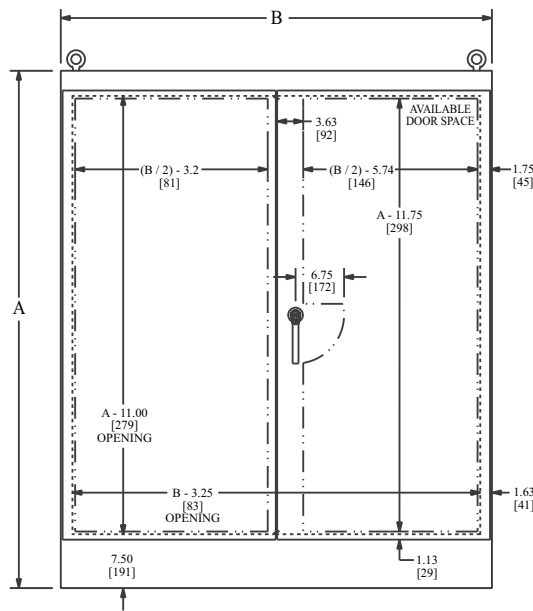
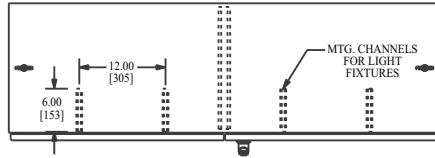
ENCLOSURE PRODUCT CODE S2					
Catalog No.	Height (A)	Width (B)	Depth (C)	Industry Standard	List Price
SCE-604818SSFSD	60.00	48.00	18.00	IS3	7,417.15
SCE-724818SSFSD	72.00	48.00	18.00	IS3	8,170.24
SCE-724824SSFSD	72.00	48.00	24.00	IS3	8,851.10
SCE-726018SSFSD	72.00	60.00	18.00	IS3	9,191.54
SCE-726024SSFSD	72.00	60.00	24.00	IS3	9,944.57
SCE-726036SSFSD	72.00	60.00	36.00	IS3	11,440.38
SCE-727218SSFSD	72.00	72.00	18.00	IS3	10,212.82
SCE-727224SSFSD	72.00	72.00	24.00	IS3	11,038.08
SCE-904820SSFSD	90.00	48.00	20.00	IS3	9,562.88
SCE-907220SSFSD	90.00	72.00	20.00	IS3	12,059.34
SCE-907224SSFSD	90.00	72.00	24.00	IS3	12,668.02
SCE-907236SSFSD	90.00	72.00	36.00	IS3	14,514.55



Phone (989) 799-6871
Fax (989) 799-4524



STAINLESS STEEL FREE-STANDING TWO-DOOR SINGLE ACCESS ENCLOSURES TECHNICAL DATA



SECTION A-A

Stainless Steel Enviroline® Series Two-Door Disconnect Enclosures

Application -

Designed to house most standard type disconnects. For outdoor application a drip shield is recommended. For installation information, consult our Installation Manual at www.saginawcontrol.com.

Construction -

- 0.104" stainless steel Type 304 & 316/316L.
- Seams continuously welded and ground smooth.
- Oil-resistant gasket.
- Flange trough collar around all sides of door opening.
- Stainless steel concealed hinges.
- Removable and interchangeable doors.
- 3-point latching mechanism.
- Black quarter turn latches as required.
- Removable print pocket on main door of disconnect enclosures.
- Lifting eyes for easy handling.
- Ground studs on door and body.
- Collar studs provided for mounting optional sub-panels.
- 15" removable floor stands.
- Removable center post.
- Mechanical interlock.
- No door stiffeners required.
- Black zinc die cast coinproof/padlocking handle on main door of disconnect enclosures.
- Black zinc die cast padlocking handle on all other doors.
- Provisions for light kit.

Disconnect switch (or circuit breaker) and operating mechanism are not furnished with this enclosure.

Finish -

#4 brushed finish on all exterior surfaces. Optional sub-panels powder coated white.

IS6 - Industry Standards -

NEMA Type 3R, 4, 4X, 12 & Type 13
UL Listed Type 3R, 4, 4X & 12
CSA Type 3R, 4, 4X & 12
IEC 60529 IP66

***Special Instructions apply for IS3, IS4 and IS6 to maintain the environmental rating of Type 3R for these parts. See the Special Instructions on the Industry Standards page in the Technical Information Section.

304 STAINLESS STEEL ENVIROLINE® SERIES TWO-DOOR ENCLOSURES FOR FLANGE-MOUNTED DISCONNECTS

ENCLOSURE PRODUCT CODE S4						SUB-PANEL (P3)			
Catalog No.	Height (A)	Width (B)	Depth (C)	Industry Standard	List Price	Catalog No.	Panel Height (E)	Panel Width (F)	List Price
SCE-60XEL4912SSLP	60.00	49.00	12.00	IS6	8,096.67	SCE-60P48	56.00	44.00	268.38
SCE-60XEL4918SSLP	60.00	49.00	18.00	IS6	8,820.15	SCE-60P48	56.00	44.00	268.38
SCE-60XEL6112SSLP	60.00	61.00	12.00	IS6	9,053.63	SCE-60P60	56.00	56.00	331.68
SCE-60XEL6118SSLP	60.00	61.00	18.00	IS6	9,859.88	SCE-60P60	56.00	56.00	331.68
SCE-72XEL6112SSLP	72.00	61.00	12.00	IS6	10,028.21	SCE-72P60	68.00	56.00	394.98
SCE-72XEL6118SSLP	72.00	61.00	18.00	IS6	10,894.21	SCE-72P60	68.00	56.00	394.98
SCE-72XEL7312SSLP	72.00	73.00	12.00	IS6	11,138.52	SCE-72P72	68.00	68.00	470.93
SCE-72XEL7318SSLP	72.00	73.00	18.00	IS6	11,571.56	SCE-72P72	68.00	68.00	470.93
SCE-72XEL7324SSLP	72.00	73.00	24.00	IS6	12,099.53	SCE-72P72	68.00	68.00	470.93

316 STAINLESS STEEL ENVIROLINE® SERIES TWO-DOOR ENCLOSURES FOR FLANGE-MOUNTED DISCONNECTS

ENCLOSURE PRODUCT CODE S7						SUB-PANEL (P3)			
Catalog No.	Height (A)	Width (B)	Depth (C)	Industry Standard	List Price	Catalog No.	Panel Height (E)	Panel Width (F)	List Price
SCE-60XEL4912SS6LP	60.00	49.00	12.00	IS6	9,716.01	SCE-60P48	56.00	44.00	268.38
SCE-60XEL4918SS6LP	60.00	49.00	18.00	IS6	10,584.18	SCE-60P48	56.00	44.00	268.38
SCE-60XEL6112SS6LP	60.00	61.00	12.00	IS6	10,864.35	SCE-60P60	56.00	56.00	331.68
SCE-60XEL6118SS6LP	60.00	61.00	18.00	IS6	11,831.85	SCE-60P60	56.00	56.00	331.68
SCE-72XEL6112SS6LP	72.00	61.00	12.00	IS6	12,033.85	SCE-72P60	68.00	56.00	394.98
SCE-72XEL6118SS6LP	72.00	61.00	18.00	IS6	13,073.05	SCE-72P60	68.00	56.00	394.98
SCE-72XEL7312SS6LP	72.00	73.00	12.00	IS6	13,366.23	SCE-72P72	68.00	68.00	470.93
SCE-72XEL7318SS6LP	72.00	73.00	18.00	IS6	13,849.87	SCE-72P72	68.00	68.00	470.93
SCE-72XEL7324SS6LP	72.00	73.00	24.00	IS6	14,519.44	SCE-72P72	68.00	68.00	470.93

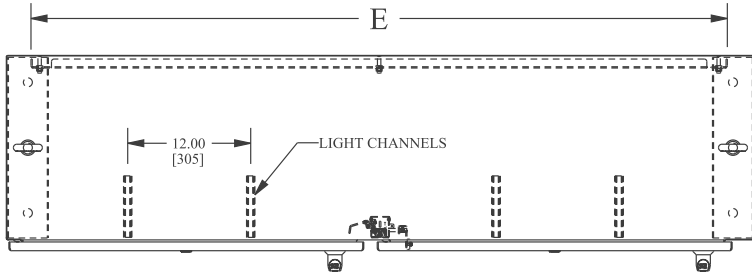


Phone (989) 799-6871
Fax (989) 799-4524



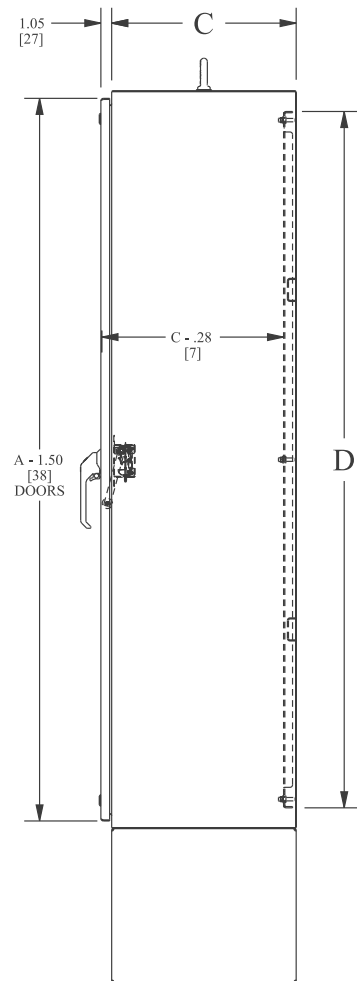
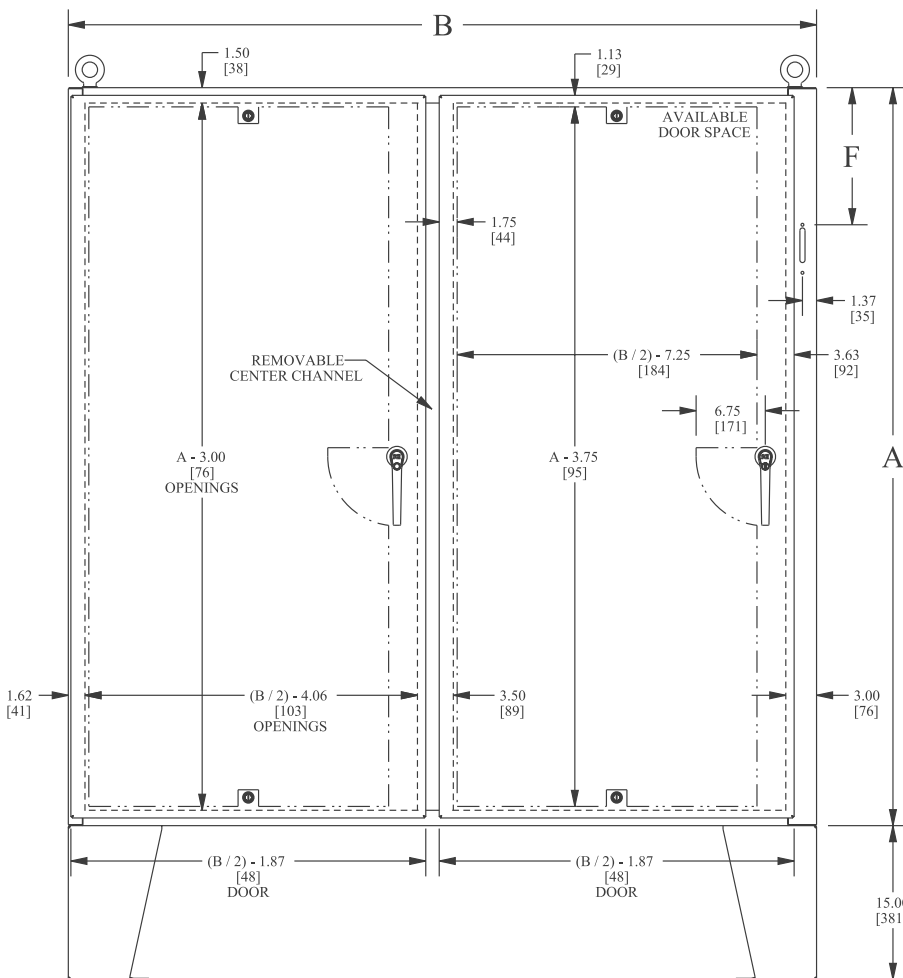
STAINLESS STEEL ENVIROLINE® SERIES TWO-DOOR ENCLOSURES FOR FLANGE-MOUNTED DISCONNECTS

TECHNICAL DATA



DISCONNECT NOTES:
 F = 7.88 [200] when A = 60.00 [1524]
 F = 13.38 [340] when A = 72.00 [1829]

LATCH NOTES:
 "EL" part numbers with doors ≥ 30.00 [762] in width have additional latch centered top and bottom of door.



Phone (989) 799-6871
 Fax (989) 799-4524

- 1 Operator System Enclosures
- 2 Wall-Mount Enclosures
- 3 Free-Standing & Floor-Mounted Enclosures
- 4 Modular Enclosures
- 5 Operator System Enclosures (Stainless Steel)
- 6 Wall-Mount Enclosures (Stainless Steel)
- 7 Free-Standing & Floor-Mounted Enclosures (Stainless Steel)
- 8 Non-Metallic Enclosures
- 9 Accessories
- 10 Technical Information
- 11 Index

Stainless Steel EnviroLine® Series Two-Door Sloping Top Disconnect Enclosures

Application -

Designed to house most standard type disconnects. For installation information, consult our Installation Manual at www.saginawcontrol.com.

Construction -

- 0.104" stainless steel Type 304.
- Seams continuously welded and ground smooth.
- Flange trough collar around all sides of door opening.
- 15 Degree Sloping Top.
- Removable center post.
- Heavy duty lifting eyes anchor into reinforced top.
- Body stiffeners.
- Stainless steel concealed hinges.
- Mechanical interlock.
- Stainless steel coinproof/padlocking handle on main door with stainless steel padlocking handle on slave doors.
- 3-point latching mechanism.
- Black quarter turn latches as required.
- Removable print pocket on main door of disconnect enclosures.
- Provisions for floor stands.
- Panel supports.
- Oil & water resistant gasket.
- Ground stud on door and body.
- Provisions for light kit.

Disconnect switch (or circuit breaker) and operating mechanism are not furnished with this enclosure.

Finish -

#4 brushed finish on all exterior surfaces.
Optional sub-panels powder coated white.

IS6 - Industry Standards -

NEMA Type 3R, 4, 4X, 12 & Type 13
UL Listed Type 3R, 4, 4X & 12
CSA Type 3R, 4, 4X & 12
IEC 60529 IP66

***Special Instructions apply for IS3, IS4 and IS6 to maintain the environmental rating of Type 3R for these parts. See the Special Instructions on the Industry Standards page in the Technical Information Section.

STAINLESS STEEL ENVIROLINE® SERIES TWO-DOOR SLOPING TOP DISCONNECT ENCLOSURES

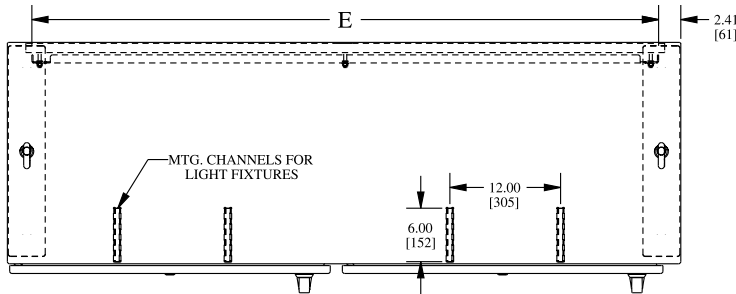
ENCLOSURE PRODUCT CODE S8						SUB-PANEL (P3)			
Catalog No.	Height (A)	Width (B)	Depth (C)	Industry Standard	List Price	Catalog No.	Panel Height (E)	Panel Width (F)	List Price
SCE-60XEL4912SSST	60.00	49.00	12.00	IS6	10,930.50	SCE-60P48	56.00	44.00	268.38
SCE-60XEL4918SSST	60.00	49.00	18.00	IS6	11,907.20	SCE-60P48	56.00	44.00	268.38
SCE-60XEL6112SSST	60.00	61.00	12.00	IS6	12,222.40	SCE-60P60	56.00	56.00	331.68
SCE-60XEL6118SSST	60.00	61.00	18.00	IS6	13,310.84	SCE-60P60	56.00	56.00	331.68
SCE-72XEL6112SSST	72.00	61.00	12.00	IS6	13,538.08	SCE-72P60	68.00	56.00	394.98
SCE-72XEL6118SSST	72.00	61.00	18.00	IS6	14,707.18	SCE-72P60	68.00	56.00	394.98
SCE-72XEL7312SSST	72.00	73.00	12.00	IS6	15,037.00	SCE-72P72	68.00	68.00	470.93
SCE-72XEL7318SSST	72.00	73.00	18.00	IS6	15,621.61	SCE-72P72	68.00	68.00	470.93
SCE-72XEL7324SSST	72.00	73.00	24.00	IS6	16,334.37	SCE-72P72	68.00	68.00	470.93



Phone (989) 799-6871
Fax (989) 799-4524

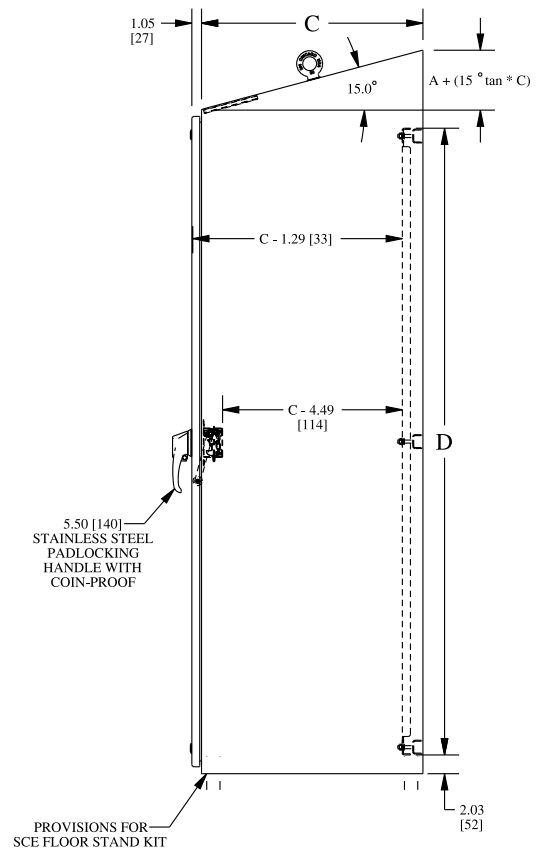
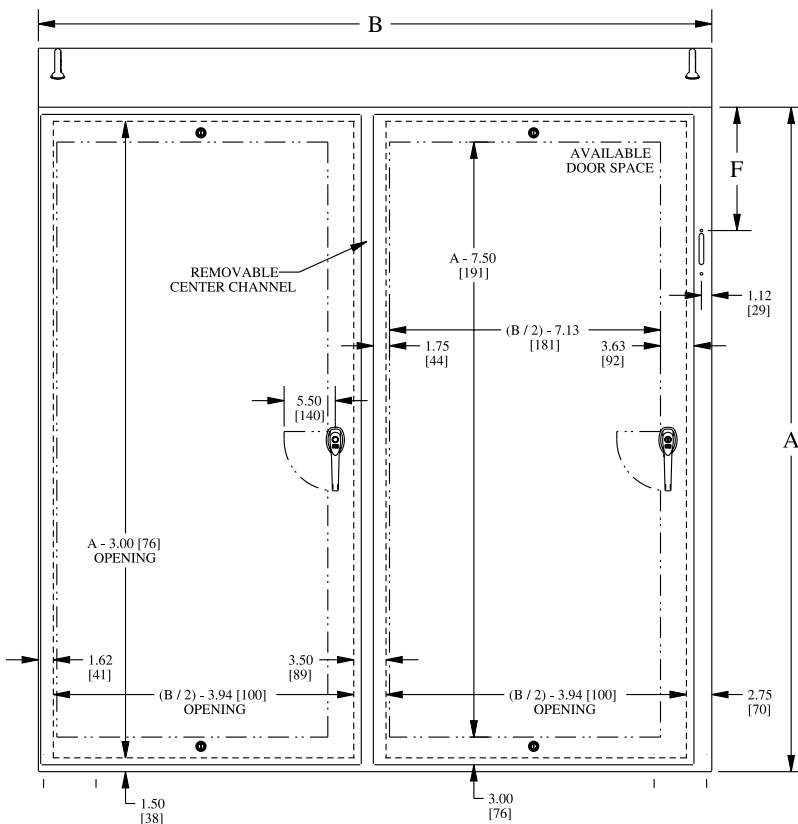


STAINLESS STEEL ENVIROLINE® SERIES TWO-DOOR SLOPING TOP DISCONNECT ENCLOSURES TECHNICAL DATA



DISCONNECT NOTES:
 F = 7.88 [200] when A = 60.00 [1524]
 F = 13.38 [340] when A = 72.00 [1829]

LATCH NOTE:
 Omit center latch top and bottom of door when door width is < 30.00 [762]



Stainless Steel Heavy Duty Free-Standing Enclosures For Flange-Mounted Disconnects

Application -

Designed to house electrical equipment and provide degree of protection from dirt, dust, oil and water and to house most standard type disconnects. For installation information, consult our Installation Manual at www.saginawcontrol.com.

Construction -

- 0.104" stainless steel Type 304.
- Seams continuously welded and ground smooth.
- Flange trough collar around all sides of door opening.
- Body stiffeners in large enclosures for extra rigidity.
- Heavy duty lifting eyes anchor into reinforced top.
- Stainless steel concealed hinges.
- Black zinc die cast coinproof/padlocking handle.
- 3-point latching mechanism.
- Black quarter turn latches as required.
- Panel supports.
- Large removable print pockets.
- Oil-resistant gasket.
- Removable sub-panels mount on collar studs.
- Defeater on master door requires a screwdriver to open.
- Ground stud on door and body.
- Provisions for light kit.

Disconnect switch (or circuit breaker) and operating mechanism are not furnished with enclosure.

Finish -

#4 brushed finish on all exterior surfaces. Sub-panels powder coated white.

IS6 - Industry Standards -

NEMA Type 3R, 4, 4X, 12 & Type 13
 UL Listed Type 3R, 4, 4X & 12
 CSA Type 3R, 4, 4X & 12
 IEC 60529 IP66

***Special Instructions apply for IS3, IS4 and IS6 to maintain the environmental rating of Type 3R for these parts. See the Special Instructions on the Industry Standards page in the Technical Information Section.

STAINLESS STEEL HEAVY DUTY FREE-STANDING ENCLOSURES FOR FLANGE-MOUNTED DISCONNECTS SINGLE-DOOR ENCLOSURES

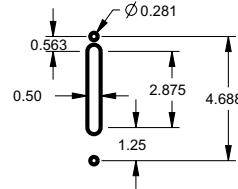
ENCLOSURE PRODUCT CODE S2						SUB-PANEL (P3)			
Catalog No.	Height (A)	Width (B)	Depth (C)	Industry Standard	List Price	Catalog No.	Panel Height (E)	Panel Width (F)	List Price
SCE-72XM2818SS	72.00	27.50	18.00	IS6	5,635.10	SCE-64P25**	60.00	21.75	1,590.52
SCE-72XM3418SS	72.00	33.50	18.00	IS6	6,245.44	SCE-64P31**	60.00	27.75	1,670.41
SCE-72XM4018SS	72.00	39.50	18.00	IS6	6,855.82	SCE-64P37**	60.00	33.75	1,750.30
SCE-84XM4018SS	84.00	39.50	18.00	IS6	7,620.90	SCE-76P37**	72.00	33.75	1,830.19
SCE-84XM4024SS	84.00	39.50	24.00	IS6	7,835.81	SCE-76P37**	72.00	33.75	1,850.08
SCE-90XM4018SS	90.00	39.50	18.00	IS6	8,162.50	SCE-82P37**	78.00	33.75	1,930.00
SCE-90XM4020SS	90.00	39.50	20.00	IS6	8,450.48	SCE-82P37**	78.00	33.75	1,950.00
SCE-90XM4024SS	90.00	39.50	24.00	IS6	8,738.46	SCE-82P37**	78.00	33.75	1,970.00

XM ENCLOSURES

* Add the letter U to the end of the part number for enclosures with a universal disconnect cutout.

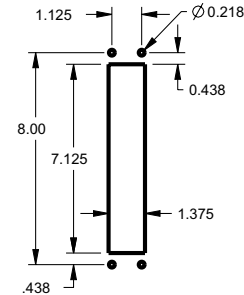
Standard Disconnect cutout provided

D 1



Universal Disconnect cutout

D 7



**Sub-panel included with enclosure. Replacement panels can be ordered. Prices found in the accessory section.

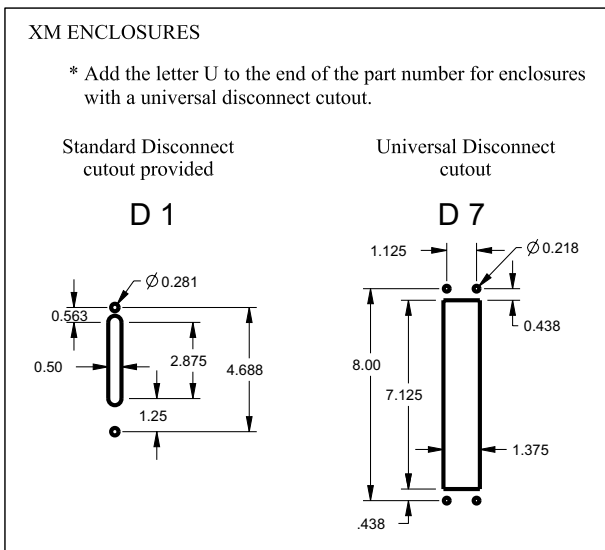
Phone (989) 799-6871
 Fax (989) 799-4524



1 Operator System Enclosures
 2 Wall-Mount Enclosures
 3 Free-Standing & Floor-Mounted Enclosures
 4 Modular Enclosures
 5 Operator System Enclosures (Stainless Steel)
 6 Wall-Mount Enclosures (Stainless Steel)
 7 Free-Standing & Floor-Mounted Enclosures (Stainless Steel)
 8 Non-Metallic Enclosures
 9 Accessories
 10 Technical Information
 11 Index

STAINLESS STEEL HEAVY DUTY FREE-STANDING ENCLOSURES FOR FLANGE-MOUNTED DISCONNECTS TWO-DOOR ENCLOSURES

ENCLOSURE PRODUCT CODE S2						SUB-PANEL (P3)			
Catalog No.	Height (A)	Width (B)	Depth (C)	Industry Standard	List Price	Catalog No.	Panel Height (E)	Panel Width (F)	List Price
SCE-72XM5418SS	72.00	53.75	18.00	IS6	9,890.44	SCE-64P52**	60.00	48.00	1,634.24
SCE-72XM6618SS	72.00	65.75	18.00	IS6	11,145.52	SCE-64P64**	60.00	60.00	1,621.00
SCE-72XM7818SS	72.00	77.75	18.00	IS6	12,396.34	SCE-64P76**	60.00	72.00	1,651.00
SCE-72XM7824SS	72.00	77.75	24.00	IS6	13,286.12	SCE-64P76**	60.00	72.00	1,651.00
SCE-84XM7818SS	84.00	77.75	18.00	IS6	13,758.93	SCE-76P76**	72.00	72.00	1,491.75
SCE-84XM7824SS	84.00	77.75	24.00	IS6	13,930.86	SCE-76P76**	72.00	72.00	1,491.75
SCE-90XM7818SS	90.00	77.75	18.00	IS6	14,691.64	SCE-82P76**	78.00	72.00	1,601.82
SCE-90XM7824SS	90.00	77.75	24.00	IS6	15,418.09	SCE-82P76**	78.00	72.00	1,601.82



**Sub-panel included with enclosure.
Replacement panels can be ordered.
Prices found in the accessory section.



Stainless Steel Heavy Duty Free-Standing Enclosures For Flange-Mounted Disconnects

Application -

Designed to house electrical equipment and provide degree of protection from dirt, dust, oil and water and to house most standard type disconnects. For installation information, consult our Installation Manual at www.saginawcontrol.com.

Construction -

- 0.104" stainless steel Type 304.
- Seams continuously welded and ground smooth.
- Flange trough collar around all sides of door opening.
- Body stiffeners in large enclosures for extra rigidity.
- Heavy duty lifting eyes anchor into reinforced top.
- Removable center posts permit easy sub-panel installation.
- Stainless steel concealed hinges.
- Black zinc die cast coinproof/padlocking handle on main door with black zinc die cast padlocking handle on slave doors.
- 3-point latching mechanism.
- Black quarter turn latches as required.
- Panel supports.
- Large removable print pockets.
- Oil-resistant gasket.
- Removable sub-panels mount on collar studs.
- Master door is far right-hand door on all enclosures.
- Defeater on master door requires a screwdriver to open.
- Mechanical interlock activated by master door prevents slave doors from being opened first. Doors can be closed in any order.
- Ground stud on door and body.
- Provisions for light kit.

Disconnect switch (or circuit breaker) and operating mechanism are not furnished with enclosure.

Finish -

#4 brushed finish on all exterior surfaces. Sub-panels powder coated white.

IS6 - Industry Standards -

NEMA Type 3R, 4, 4X, 12 & Type 13
UL Listed Type 3R, 4, 4X & 12
CSA Type 3R, 4, 4X & 12
IEC 60529 IP66

***Special Instructions apply for IS3, IS4 and IS6 to maintain the environmental rating of Type 3R for these parts. See the Special Instructions on the Industry Standards page in the Technical Information Section.



Phone (989) 799-6871
Fax (989) 799-4524

Stainless Steel Heavy Duty Free-Standing Enclosures For Flange-Mounted Disconnects

Application -

Designed to house electrical equipment and provide degree of protection from dirt, dust, oil and water and to house most standard type disconnects. For installation information, consult our Installation Manual at www.saginawcontrol.com.

Construction -

- 0.104" stainless steel Type 304.
- Seams continuously welded and ground smooth.
- Flange trough collar around all sides of door opening.
- Body stiffeners in large enclosures for extra rigidity.
- Heavy duty lifting eyes anchor into reinforced top.
- Removable center posts permit easy sub-panel installation.
- Stainless steel concealed hinges.
- Black zinc die cast coinproof/padlocking handle on main door with black zinc die cast padlocking handle on slave doors.
- 3-point latching mechanism.
- Black quarter turn latches as required.
- Panel supports.
- Large removable print pockets.
- Oil-resistant gasket.
- Removable sub-panels mount on collar studs.
- Master door is far right-hand door on all enclosures.
- Defeater on master door requires a screwdriver to open.
- Mechanical interlock activated by master door prevents slave doors from being opened first. Doors can be closed in any order.
- Ground stud on door and body.
- Provisions for light kit.

Disconnect switch (or circuit breaker) and operating mechanism are not furnished with enclosure.

Finish -

#4 brushed finish on all exterior surfaces. Sub-panels powder coated white.

IS6 - Industry Standards -

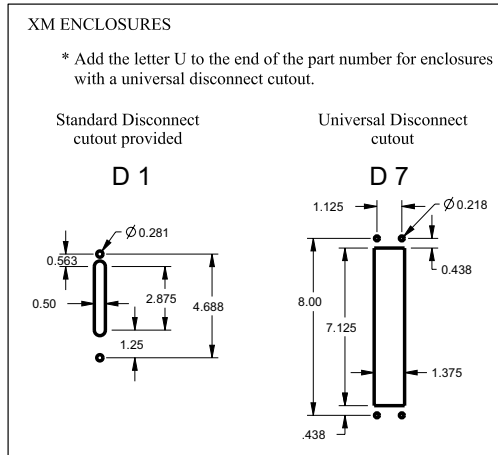
NEMA Type 3R, 4, 4X, 12 & Type 13
UL Listed Type 3R, 4, 4X & 12
CSA Type 3R, 4, 4X & 12
IEC 60529 IP66

***Special Instructions apply for IS3, IS4 and IS6 to maintain the environmental rating of Type 3R for these parts. See the Special Instructions on the Industry Standards page in the Technical Information Section.

STAINLESS STEEL HEAVY DUTY FREE-STANDING ENCLOSURES FOR FLANGE-MOUNTED DISCONNECTS THREE-DOOR ENCLOSURES

ENCLOSURE PRODUCT CODE S2						SUB-PANEL (P3)			
Catalog No.	Height (A)	Width (B)	Depth (C)	Industry Standard	List Price	Catalog No.	Panel Height (E)	Panel Width (F)	List Price
SCE-72XM3EQ18SS	72.00	99.50	18.00	IS6	14,816.33	SCE-64P31** & SCE-64P64**	60.00	27.75	1,607.44
SCE-72XM3EW18SS	72.00	117.50	18.00	IS6	16,677.48	SCE-64P37** & SCE-64P76**	60.00	33.75	1,621.00
SCE-84XM3EW18SS	84.00	117.50	18.00	IS6	18,594.54	SCE-76P37** & SCE-76P76**	72.00	33.75	1,500.00
SCE-84XM3EW24SS	84.00	117.50	24.00	IS6	18,813.76	SCE-76P37** & SCE-76P76**	72.00	33.75	1,500.00
SCE-90XM3EW24SS	90.00	117.50	24.00	IS6	20,748.01	SCE-82P37** & SCE-82P76**	78.00	33.75	1,781.54

**Sub-panel included with enclosure. Replacement panels can be ordered. Prices found in the accessory section.



Phone (989) 799-6871
Fax (989) 799-4524



**STAINLESS STEEL HEAVY DUTY
FREE-STANDING ENCLOSURES FOR
FLANGE-MOUNTED DISCONNECTS
FOUR-DOOR ENCLOSURES**

ENCLOSURE PRODUCT CODE S2						SUB-PANEL (P3)			
Catalog No.	Height (A)	Width (B)	Depth (C)	Industry Standard	List Price	Catalog No.	Panel Height (E)	Panel Width (F)	List Price
SCE-84XM4EW18SS	84.00	157.50	18.00	IS6	25,852.40	SCE-76P76** (2)	72.00	72.00	In501000
SCE-84XM4EW24SS	84.00	157.50	24.00	IS6	27,014.22	SCE-76P76** (2)	72.00	72.00	In501000
SCE-90XM4EW18SS	90.00	157.50	18.00	IS6	26,944.43	SCE-82P76** (2)	78.00	72.00	In501000
SCE-90XM4EW24SS	90.00	157.50	24.00	IS6	27,982.42	SCE-82P76** (2)	78.00	72.00	In501000

FIVE-DOOR ENCLOSURES

ENCLOSURE PRODUCT CODE S2						SUB-PANEL (P3)			
Catalog No.	Height (A)	Width (B)	Depth (C)	Industry Standard	List Price	Catalog No.	Panel Height (E)	Panel Width (F)	List Price
SCE-84XM5EW18SS	84.00	196.75	18.00	IS6	32,254.81	SCE-76P37** (2) & SCE-76P76**	72.00	33.75	In2501000
SCE-84XM5EW24SS	84.00	196.75	24.00	IS6	33,634.14	SCE-76P37** (2) & SCE-76P76**	72.00	33.75	In2501000
SCE-90XM5EW18SS	90.00	196.75	18.00	IS6	33,542.74	SCE-82P37** (2) & SCE-82P76**	78.00	33.75	In2701000
SCE-90XM5EW24SS	90.00	196.75	24.00	IS6	34,842.54	SCE-82P37** (2) & SCE-82P76**	78.00	33.75	In2701000

SIX-DOOR ENCLOSURES

ENCLOSURE PRODUCT CODE S2						SUB-PANEL (P3)			
Catalog No.	Height (A)	Width (B)	Depth (C)	Industry Standard	List Price	Catalog No.	Panel Height (E)	Panel Width (F)	List Price
SCE-84XM6EW24SS	84.00	235.00	24.00	IS6	40,104.23	SCE-76P76** (3)	72.00	72.00	In4001000
SCE-90XM6EW24SS	90.00	235.00	24.00	IS6	41,652.77	SCE-82P76** (3)	78.00	72.00	In501000



**Stainless Steel Heavy
Duty Free-Standing
Enclosures For
Flange-Mounted
Disconnects**

Application -

Designed to house electrical equipment and provide degree of protection from dirt, dust, oil and water and to house most standard type disconnects. For installation information, consult our Installation Manual at www.saginawcontrol.com.

Construction -

- 0.104" stainless steel Type 304.
- Seams continuously welded and ground smooth.
- Flange trough collar around all sides of door opening.
- Body stiffeners in large enclosures for extra rigidity.
- Heavy duty lifting eyes anchor into reinforced top.
- Removable center posts permit easy sub-panel installation.
- Stainless steel concealed hinges.
- Black zinc die cast coinproof/padlocking handle on main door with black zinc die cast padlocking handle on slave doors.
- 3-point latching mechanism.
- Black quarter turn latches as required.
- Panel supports.
- Large removable print pockets.
- Oil-resistant gasket.
- Removable sub-panels mount on collar studs.
- Master door is far right-hand door on all enclosures.
- Defeater on master door requires a screwdriver to open.
- Mechanical interlock activated by master door prevents slave doors from being opened first. Doors can be closed in any order.
- Ground stud on door and body.
- Provisions for light kit.

Disconnect switch (or circuit breaker) and operating mechanism are not furnished with enclosure.

Finish -

#4 brushed finish on all exterior surfaces. Sub-panels powder coated white.

IS6 - Industry Standards -

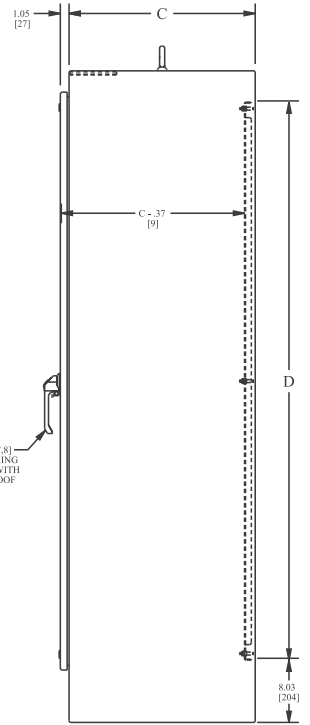
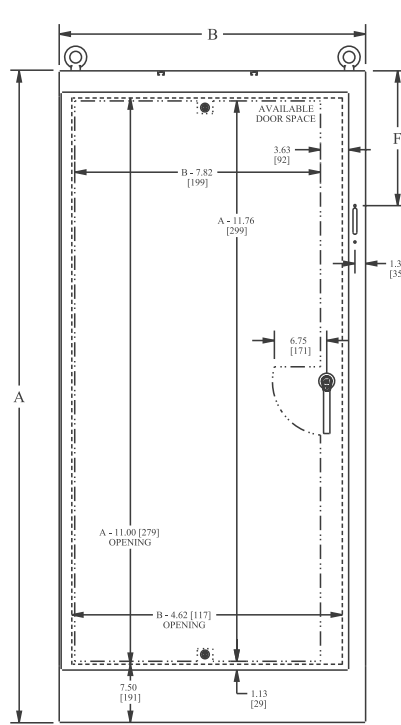
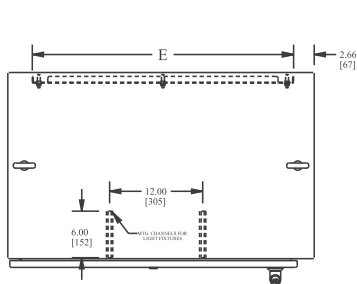
- NEMA Type 3R, 4, 4X, 12 & Type 13
- UL Listed Type 3R, 4, 4X & 12
- CSA Type 3R, 4, 4X & 12
- IEC 60529 IP66

***Special Instructions apply for IS3, IS4 and IS6 to maintain the environmental rating of Type 3R for these parts. See the Special Instructions on the Industry Standards page in the Technical Information Section.

STAINLESS STEEL HEAVY DUTY FREE-STANDING ENCLOSURES FOR FLANGE-MOUNTED DISCONNECTS

TECHNICAL DATA

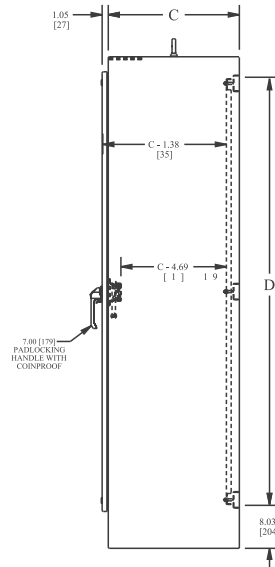
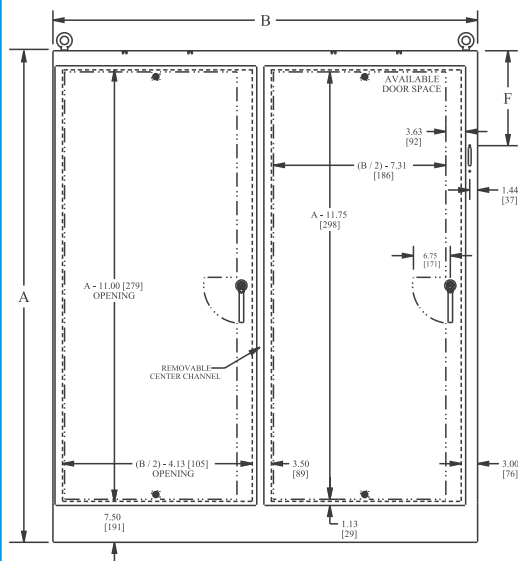
SINGLE-DOOR ENCLOSURE



STANDARD DISCONNECTS:
 F = 11.88 [301,7] when A = 72.00 [1828,8]
 F = 17.38 [441,4] when A = 84.00 [2133,6]
 F = 20.38 [517,6] when A = 90.00 [228,6]

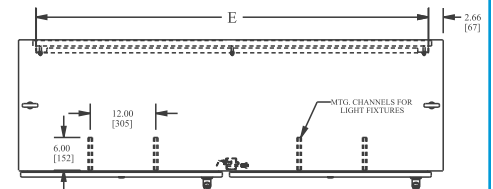
LATCH NOTES:
 Omit center latch top and bottom of door
 when door width is < 30.00 [762]

TWO-DOOR ENCLOSURE



STANDARD DISCONNECTS:
 F = 11.88 [301,7] when A = 72.00 [1828,8]
 F = 17.38 [441,4] when A = 84.00 [2133,6]
 F = 20.38 [517,6] when A = 90.00 [228,6]

LATCH NOTES:
 Omit center latch top and bottom of door
 when door width is < 30.00 [762]

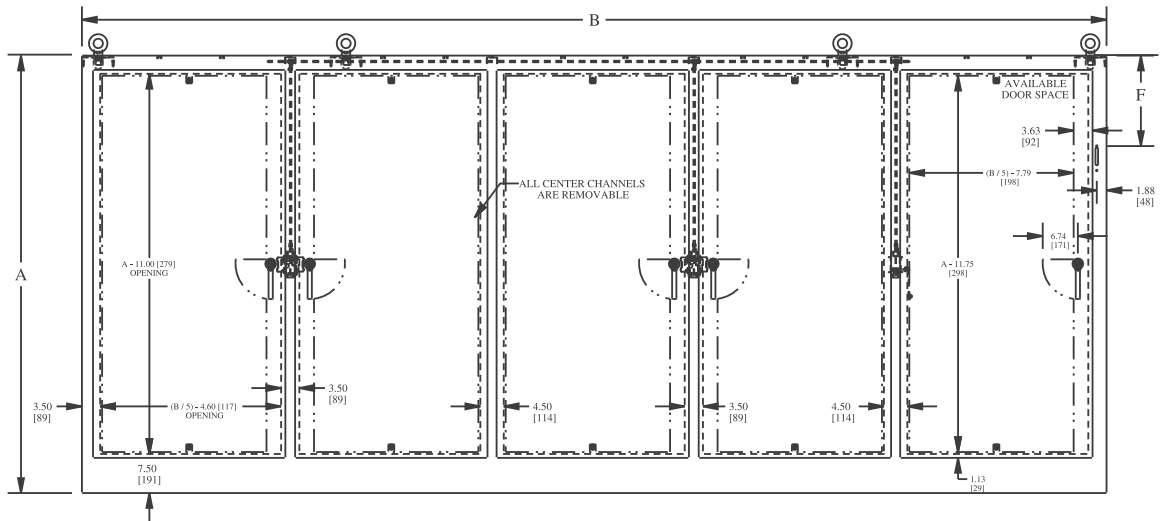
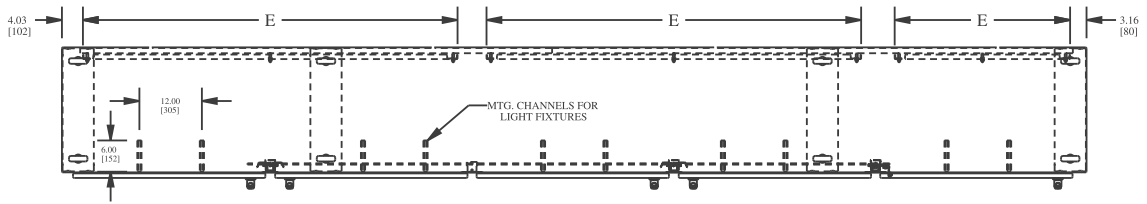


1 Operator System Enclosures
 2 Wall-Mount Enclosures
 3 Free-Standing & Floor-Mounted Enclosures
 4 Modular Enclosures
 5 Operator System Enclosures (Stainless Steel)
 6 Wall-Mount Enclosures (Stainless Steel)
 7 Free-Standing & Floor-Mounted Enclosures (Stainless Steel)
 8 Non-Metallic Enclosures
 9 Accessories
 10 Technical Information
 11 Index

STAINLESS STEEL HEAVY DUTY FREE-STANDING ENCLOSURES FOR FLANGE-MOUNTED DISCONNECTS

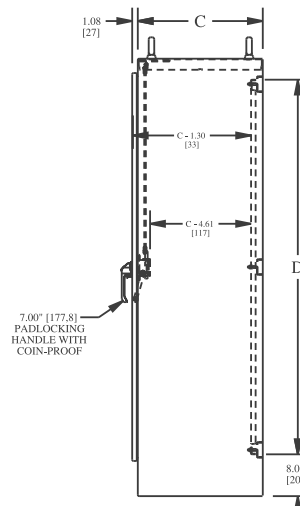
TECHNICAL DATA

FIVE-DOOR ENCLOSURE



STANDARD DISCONNECTS:
 F = 11.88 [301,7] when A = 72.00 [1828,8]
 F = 17.38 [441,4] when A = 84.00 [2133,6]
 F = 20.38 [517,6] when A = 90.00 [228,6]

LATCH NOTES:
 Omit center latch top and bottom of door
 when door width is < 30.00 [762]



Phone (989) 799-6871
 Fax (989) 799-4524



1 Operator System Enclosures
 2 Wall-Mount Enclosures
 3 Free-Standing & Floor-Mounted Enclosures
 4 Modular Enclosures
 5 Operator System Enclosures (Stainless Steel)
 6 Wall-Mount Enclosures (Stainless Steel)
 7 Free-Standing & Floor-Mounted Enclosures (Stainless Steel)
 8 Non-Metallic Enclosures
 9 Accessories
 10 Technical Information
 11 Index

Stainless Steel XD Heavy Duty Free-Standing Enclosures with External Disconnect Enclosures Installed

Application -

Designed to house the main power supply in external enclosure on the right side of main enclosure, keeping the live side of the power supply separate from the primary electrical equipment. Provides protection from dirt, dust, oil and water and can house most standard type disconnects. For Installation information consult our Installation Manual at www.saginawcontrol.com.

Construction -

- 0.104" stainless steel Type 304.
- Seams continuously welded and ground smooth.
- Flange trough collar around all sides of door opening.
- Body stiffeners in large enclosures for extra rigidity.
- Heavy duty lifting eyes anchor into reinforced top.
- Removable center posts permit easy sub-panel installation.
- Concealed hinges.
- Black zinc die cast padlocking handles.
- 3-point latching mechanism.
- Large removable print pockets.
- Oil-resistant gasket.
- Removable panels mount on collar studs.
- Defeater on master door requires a screwdriver to open.
- Mechanical interlock activated by the External Disconnect Prevents main door of the enclosure from being closed unless the EXD enclosure is first closed.
- Mechanical interlock activated by master door prevents slave doors from being opened first. Doors can be closed in any order.
- Ground stud on door and body.
- Provisions for light kit.

Disconnect switch (or circuit breaker) and operating mechanism are not furnished with enclosure.

Finish -

#4 brushed finish on all exterior surfaces. Sub-panels powder coated white.

IS6 - Industry Standards -

NEMA Type 3R, 4, 4X, 12 & Type 13
UL Listed Type 3R, 4, 4X & 12
CSA Type 3R, 4, 4X & 12
IEC 60529 IP66

***Special Instructions apply for IS3, IS4 and IS6 to maintain the environmental rating of Type 3R for these parts. See the Special Instructions on the Industry Standards page in the Technical Information Section.

STAINLESS STEEL XD HEAVY DUTY FREE-STANDING ENCLOSURES WITH EXTERNAL DISCONNECT ENCLOSURES INSTALLED

SINGLE-DOOR ENCLOSURES

ENCLOSURE PRODUCT CODE S2						SUB-PANEL (P3)			
Catalog No.	Height (A)	Width (B)	Depth (C)	Industry Standard	List Price	Catalog No.	Panel Height (E)	Panel Width (F)	List Price
SCE-72XD2818SS	72.00	27.50	18.00	IS6	8,195.10	SCE-64P25**	60.00	21.75	Included
SCE-72XD3418SS	72.00	33.50	18.00	IS6	8,805.44	SCE-64P31**	60.00	27.75	Included
SCE-72XD4018SS	72.00	39.50	18.00	IS6	9,415.82	SCE-64P37**	60.00	33.75	Included
SCE-84XD4018SS	84.00	39.50	18.00	IS6	10,180.90	SCE-76P37**	72.00	33.75	Included
SCE-90XD4018SS	90.00	39.50	18.00	IS6	10,722.50	SCE-82P37**	78.00	33.75	Included

TWO-DOOR ENCLOSURES

ENCLOSURE PRODUCT CODE S2						SUB-PANEL (P3)			
Catalog No.	Height (A)	Width (B)	Depth (C)	Industry Standard	List Price	Catalog No.	Panel Height (E)	Panel Width (F)	List Price
SCE-72XD5418SS	72.00	53.75	18.00	IS6	12,450.44	SCE-64P52**	60.00	48.00	Included
SCE-72XD6618SS	72.00	65.75	18.00	IS6	13,705.52	SCE-64P64**	60.00	60.00	Included
SCE-72XD7818SS	72.00	77.75	18.00	IS6	14,956.34	SCE-64P76**	60.00	72.00	Included
SCE-84XD7818SS	84.00	77.75	18.00	IS6	16,318.93	SCE-76P76**	72.00	72.00	Included
SCE-90XD7818SS	90.00	77.75	18.00	IS6	17,251.64	SCE-82P76**	78.00	72.00	Included

THREE-DOOR ENCLOSURES

ENCLOSURE PRODUCT CODE S2						SUB-PANEL (P3)			
Catalog No.	Height (A)	Width (B)	Depth (C)	Industry Standard	List Price	Catalog No.	Panel Height (E)	Panel Width (F)	List Price
SCE-72XD3EQ18SS	72.00	99.50	18.00	IS6	17,376.33	SCE-64P31** & SCE-64P37**	60.00	27.75	Included
SCE-72XD3EW18SS	72.00	117.50	18.00	IS6	19,237.48	SCE-76P37** & SCE-64P37**	72.00	33.75	Included
SCE-84XD3EW18SS	84.00	117.50	18.00	IS6	21,154.54	SCE-76P37** & SCE-76P37**	72.00	33.75	Included



**Sub-panel included with enclosure.
Replacement panels can be ordered.
Prices found in the accessory section.

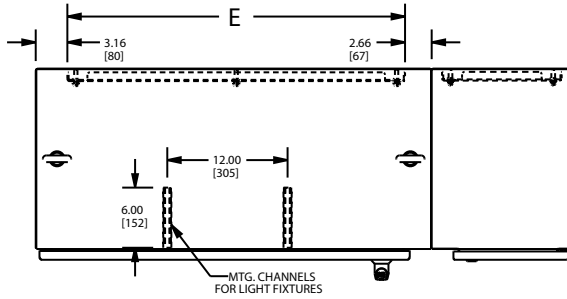
Phone (989) 799-6871
Fax (989) 799-4524



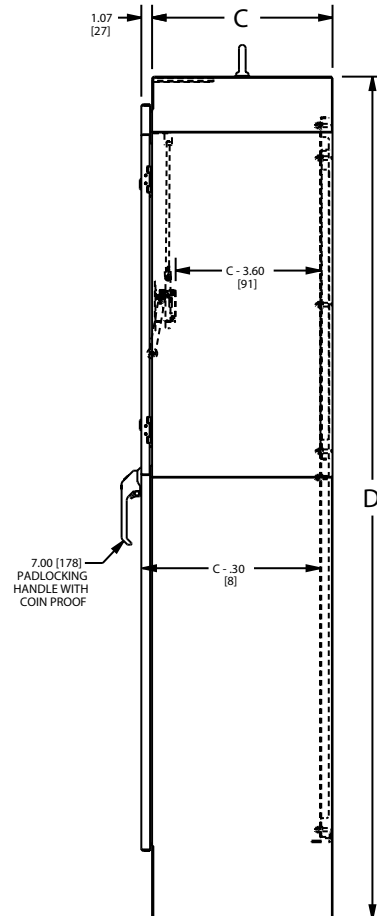
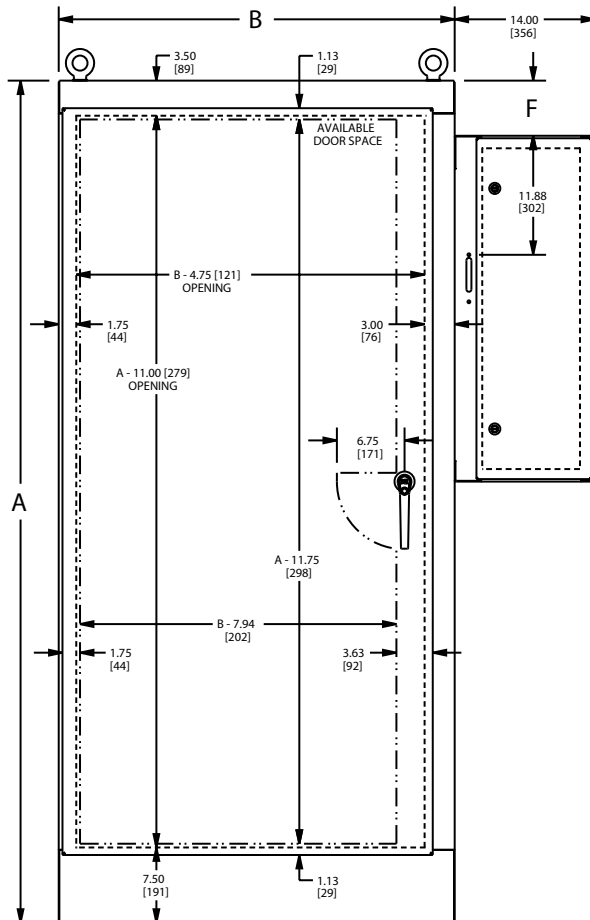
STAINLESS STEEL XD HEAVY DUTY FREE-STANDING ENCLOSURES WITH EXTERNAL DISCONNECT ENCLOSURE INSTALLED

TECHNICAL DATA

SINGLE-DOOR ENCLOSURE



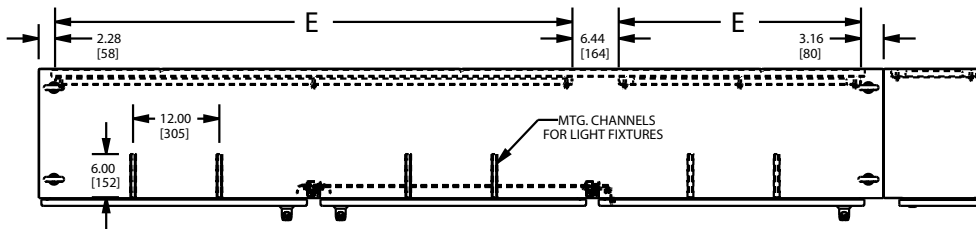
STANDARD DISCONNECTS:
 F = 0.00 [0] when A = 72.00 [1829]
 F = 5.50 [138] when A = 84.00 [2134]
 F = 8.50 [216] when A = 90.00 [2286]



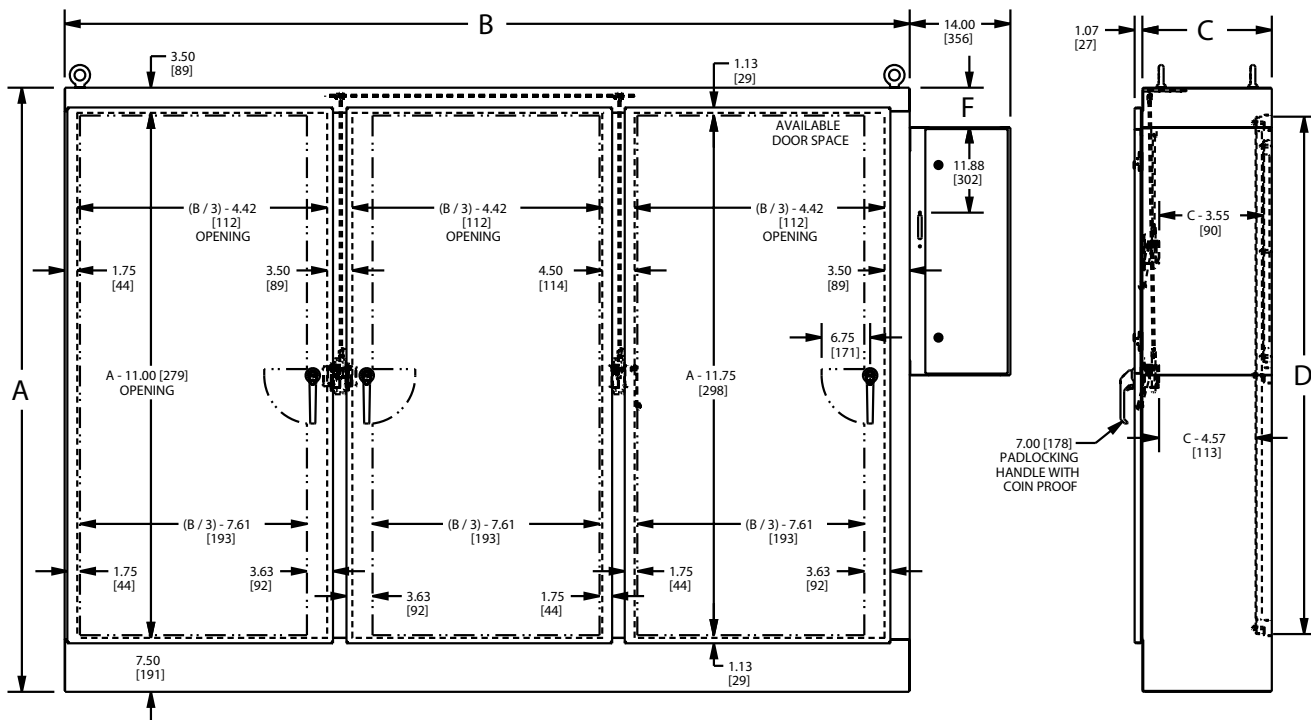
STAINLESS STEEL XD HEAVY DUTY FREE-STANDING ENCLOSURES WITH EXTERNAL DISCONNECT ENCLOSURE INSTALLED

TECHNICAL DATA

THREE-DOOR ENCLOSURE



STANDARD DISCONNECTS:
 F = 0.00 [0] when A = 72.00 [1829]
 F = 5.50 [138] when A = 84.00 [2134]
 F = 8.50 [216] when A = 90.00 [2286]



NOTES

- 11 Index
- 10 Technical Information
- 9 Accessories
- 8 Non-Metallic Enclosures
- 7 Free-Standing & Floor-Mounted Enclosures (Stainless Steel)
- 6 Wall-Mount Enclosures (Stainless Steel)
- 5 Operator System Enclosures (Stainless Steel)
- 4 Modular Enclosures
- 3 Free-Standing & Floor-Mounted Enclosures
- 2 Wall-Mount Enclosures
- 1 Operator System Enclosures

Phone (989) 799-6871
 Fax (989) 799-4524



NOTES



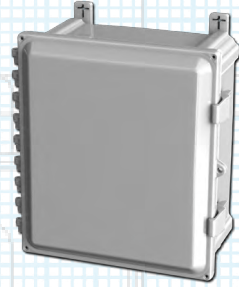
Your Enclosure Source®

Phone (989) 799-6871
Fax (989) 799-4524

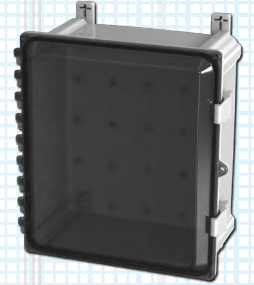
- 1 Operator System Enclosures
- 2 Wall-Mount Enclosures
- 3 Free-Standing & Floor-Mounted Enclosures
- 4 Modular Enclosures
- 5 Operator System Enclosures (Stainless Steel)
- 6 Wall-Mount Enclosures (Stainless Steel)
- 7 Free-Standing & Floor-Mounted Enclosures (Stainless Steel)
- 8 Non-Metallic Enclosures
- 9 Accessories
- 10 Technical Information
- 11 Index

Non-Metallic Enclosures

Polycarbonate Enclosures 302 – 303



Polycarbonate Enclosures with Window 304 – 305



Pushbutton Enclosures (Fiberglass) 306 – 307



Screw Cover Junction Enclosures (Fiberglass) 308 – 309



Phone (989) 799-6871
Fax (989) 799-4524



- 1 Operator System Enclosures
- 2 Wall-Mount Enclosures
- 3 Free-Standing & Floor-Mounted Enclosures
- 4 Modular Enclosures
- 5 Operator System Enclosures (Stainless Steel)
- 6 Wall-Mount Enclosures (Stainless Steel)
- 7 Free-Standing & Floor-Mounted Enclosures (Stainless Steel)
- 8 Non-Metallic Enclosures
- 9 Accessories
- 10 Technical Information
- 11 Index

Non-Metallic Enclosures

Quick Release Junction Enclosures (Fiberglass) 310 – 311



Quick Release Junction Enclosures with Window (Fiberglass) 312 – 313



Clamp Cover Enclosures (Fiberglass) 314 – 315



Phone (989) 799-6871
Fax (989) 799-4524



- 1 Operator System Enclosures
- 2 Wall-Mount Enclosures
- 3 Free-Standing & Floor-Mounted Enclosures
- 4 Modular Enclosures
- 5 Operator System Enclosures (Stainless Steel)
- 6 Wall-Mount Enclosures (Stainless Steel)
- 7 Free-Standing & Floor-Mounted Enclosures (Stainless Steel)
- 8 Non-Metallic Enclosures
- 9 Accessories
- 10 Technical Information
- 11 Index

Polycarbonate Enclosures

Application -

Designed for indoor or outdoor use to house electrical and electronic controls, instruments and components in areas that may be regularly hosed down or are in very wet conditions. Non-corrosive, UV resistant polycarbonate enclosure with opaque covers. Provides protection from dust, dirt, oil and water. For installation information, consult our Installation Manual at www.saginawcontrol.com.

Construction -

- Impact Resistant Polycarbonate.
- Opaque cover.
- Brass inserts for securing mounting feet.
- Polycarbonate external mounting feet included.
- Oil-resistant door gasket.
- Polycarbonate quick release latches.
- Polycarbonate hinges.
- Polycarbonate hasp and staple for padlocking.
- 10-32 standoffs provided for mounting optional panels.
- Multiple bosses for easy installation of devices and DIN rails.

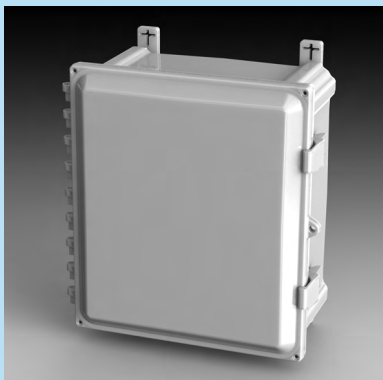
Finish -

RAL 7035 Light Gray Polycarbonate

IS6 - Industry Standards -

NEMA Type 3R, 4, 4X, 12 & Type 13
UL Listed Type 3R, 4, 4X & 12
CSA Type 3R, 4, 4X & 12
IEC 60529 IP66

***Special Instructions apply for IS3, IS4 and IS6 to maintain the environmental rating of Type 3R for these parts. See the Special Instructions on the Industry Standards page in the Technical Information Section.



POLYCARBONATE ENCLOSURES

ENCLOSURE PRODUCT CODE F1

Catalog No.	Height (A)	Width (B)	Depth (C)	Industry Standard	List Price
SCE-606PC	7.41	8.68	5.84	IS6	109.26
SCE-806PC	9.47	8.68	5.86	IS6	115.95
SCE-1008PC	11.41	10.68	6.36	IS6	126.06
SCE-1210PC	13.40	12.68	7.86	IS6	144.06
SCE-1412PC	15.40	14.68	7.89	IS6	182.22
SCE-1614PC	17.65	16.68	9.98	IS6	197.91
SCE-1816PC	19.41	18.68	11.90	IS6	254.82
SCE-2424PC	25.40	26.68	11.41	IS6	724.65

SUB-PANELS (F2)

Catalog No.	Panel Height (D)	Panel Width (E)	List Price
SCE-6P6	5.00	5.00	3.61
SCE-6P6AL	5.00	5.00	15.58
SCE-8P6	7.00	5.00	4.17
SCE-8P6AL	7.00	5.00	18.82
SCE-10P8	9.00	7.00	5.70
SCE-10P8AL	9.00	7.00	25.38
SCE-12P10	11.00	9.00	7.72
SCE-12P10AL	11.00	9.00	25.99
SCE-14P12	13.00	11.00	10.13
SCE-14P12AL	13.00	11.00	36.87
SCE-16P14	15.00	13.00	19.95
SCE-16P14AL	15.00	13.00	46.72
SCE-18P16PC	16.88	14.88	26.84
SCE-18P16AL	16.88	14.88	55.53
SCE-24P24PC	22.75	22.75	39.97
SCE-24P24PCAL	22.75	22.75	104.98

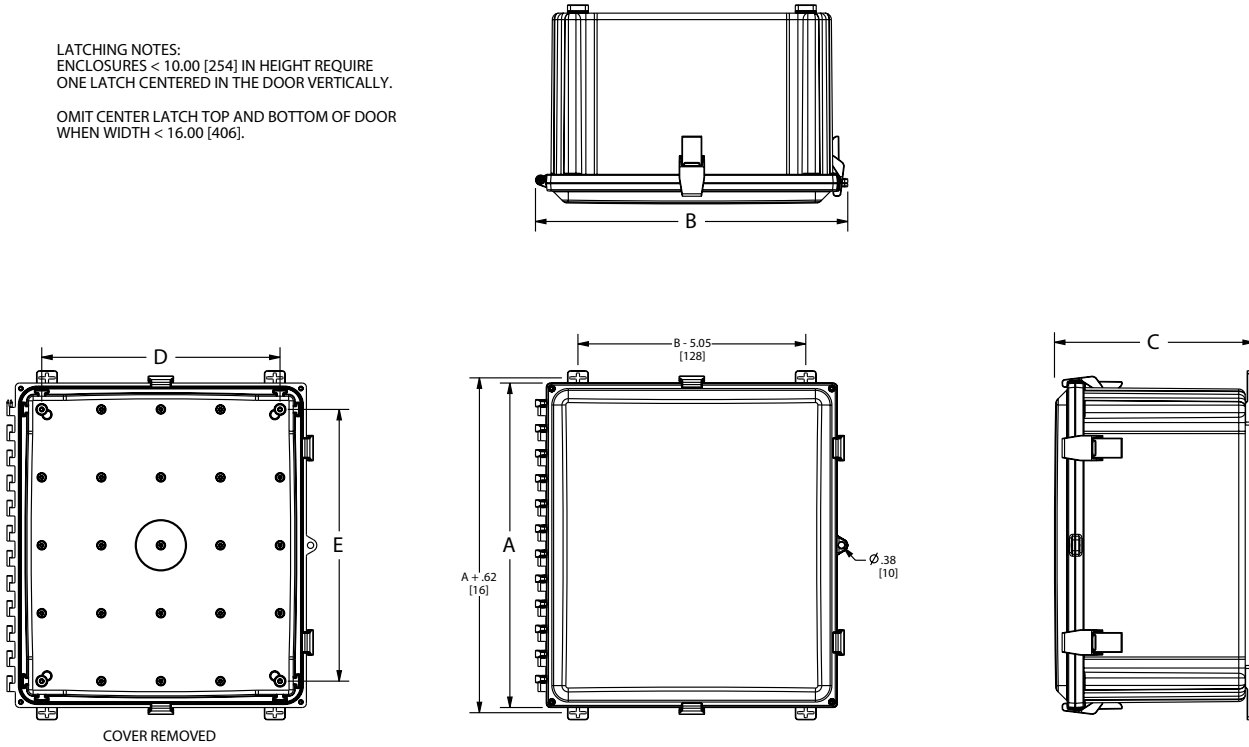
Phone (989) 799-6871
Fax (989) 799-4524



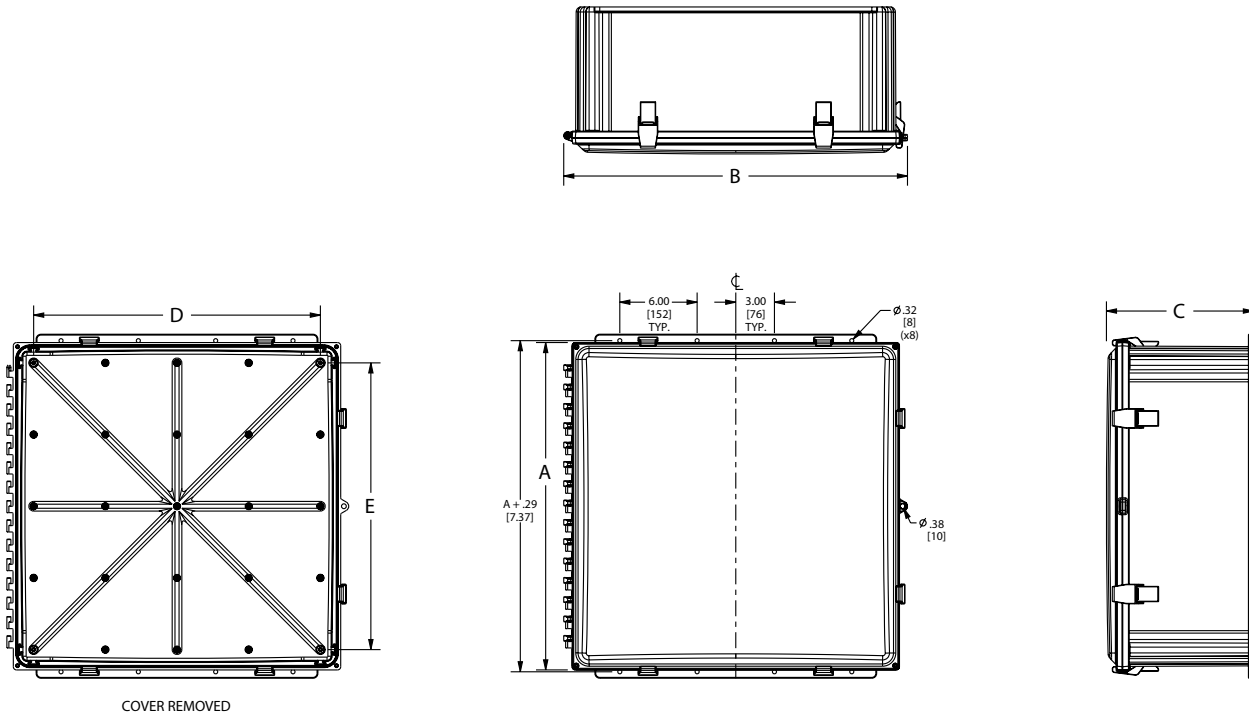
POLYCARBONATE ENCLOSURES TECHNICAL DATA

LATCHING NOTES:
ENCLOSURES < 10.00 [254] IN HEIGHT REQUIRE
ONE LATCH CENTERED IN THE DOOR VERTICALLY.

OMIT CENTER LATCH TOP AND BOTTOM OF DOOR
WHEN WIDTH < 16.00 [406].



SCE-2424PC



Polycarbonate Enclosures with Window

Application -

Designed for indoor or outdoor use to house electrical and electronic controls, instruments and components in areas that may be regularly hosed down or are in very wet conditions. Non-corrosive, UV resistant polycarbonate enclosure with clear covers. Provides protection from dust, dirt, oil and water. For installation information, consult our Installation Manual at www.saginawcontrol.com.

Construction -

- Impact Resistant Polycarbonate.
- Clear cover.
- Brass inserts for securing mounting feet.
- Polycarbonate external mounting feet included.
- Oil-resistant door gasket.
- Polycarbonate quick release latches.
- Polycarbonate hinges.
- Polycarbonate hasp and staple for padlocking.
- 10-32 standoffs provided for mounting optional panels.
- Multiple bosses for easy installation of devices and DIN rails.

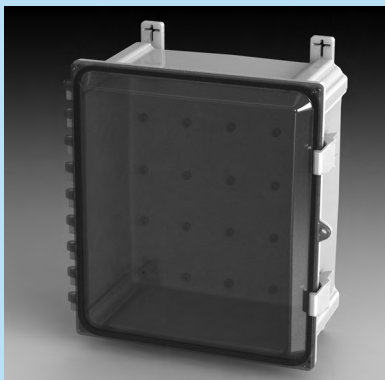
Finish -

RAL 7035 Light Gray Polycarbonate with clear cover

IS6 - Industry Standards -

NEMA Type 3R, 4, 4X, 12 & Type 13
UL Listed Type 3R, 4, 4X & 12
CSA Type 3R, 4, 4X & 12
IEC 60529 IP66

***Special Instructions apply for IS3, IS4 and IS6 to maintain the environmental rating of Type 3R for these parts. See the Special Instructions on the Industry Standards page in the Technical Information Section.



POLYCARBONATE ENCLOSURES WITH WINDOW

ENCLOSURE PRODUCT CODE F1

Catalog No.	Height (A)	Width (B)	Depth (C)	Industry Standard	List Price
SCE-606PCW	7.41	8.68	5.84	IS6	139.38
SCE-806PCW	9.41	8.68	5.86	IS6	144.63
SCE-1008PCW	11.41	10.68	6.36	IS6	176.19
SCE-1210PCW	13.40	12.68	7.86	IS6	194.64
SCE-1412PCW	15.40	14.68	7.86	IS6	268.28
SCE-1614PCW	17.65	16.68	9.98	IS6	326.73
SCE-1816PCW	19.41	18.68	11.90	IS6	407.00
SCE-2424PCW	25.40	26.68	11.41	IS6	1159.44

SUB-PANELS (F2)

Catalog No.	Panel Height (D)	Panel Width (E)	List Price
SCE-6P6	5.00	5.00	3.61
SCE-6P6AL	5.00	5.00	15.58
SCE-8P6	7.00	5.00	4.17
SCE-8P6AL	7.00	5.00	18.82
SCE-10P8	9.00	7.00	5.70
SCE-10P8AL	9.00	7.00	25.38
SCE-12P10	11.00	9.00	7.72
SCE-12P10AL	11.00	9.00	25.99
SCE-14P12	13.00	11.00	10.13
SCE-14P12AL	13.00	11.00	36.87
SCE-16P14	15.00	13.00	19.95
SCE-16P14AL	15.00	13.00	46.72
SCE-18P16PC	16.88	14.88	26.84
SCE-18P16AL	16.88	14.88	55.53
SCE-24P24PC	22.75	22.75	39.97
SCE-24P24PCAL	22.75	22.75	104.98

Phone (989) 799-6871
Fax (989) 799-4524

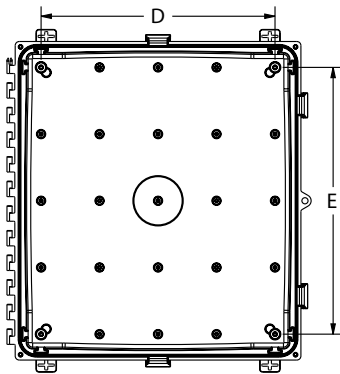
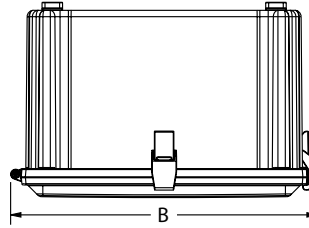


POLYCARBONATE ENCLOSURES WITH WINDOW

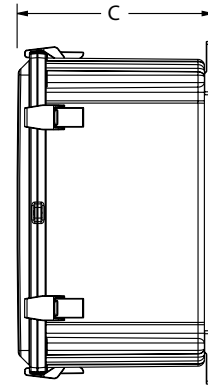
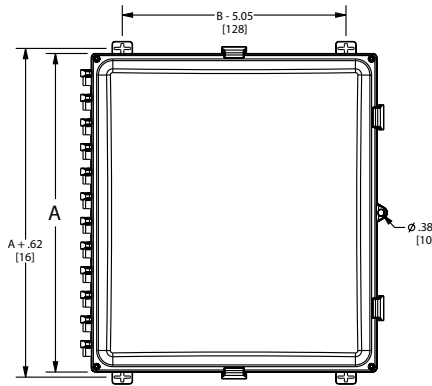
TECHNICAL DATA

LATCHING NOTES:
ENCLOSURES < 10.00 [254] IN HEIGHT REQUIRE
ONE LATCH CENTERED IN THE DOOR VERTICALLY.

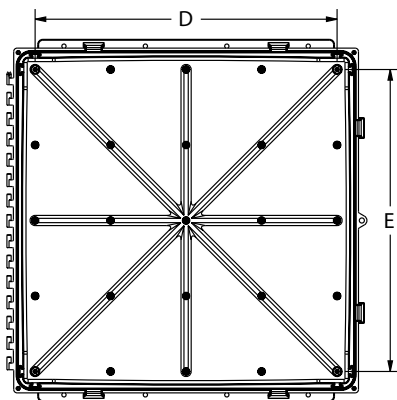
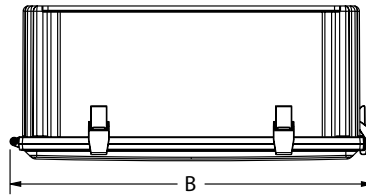
OMIT CENTER LATCH TOP AND BOTTOM OF DOOR
WHEN WIDTH < 16.00 [406].



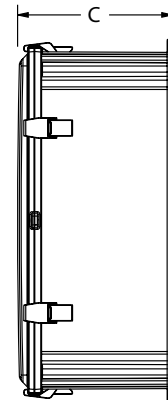
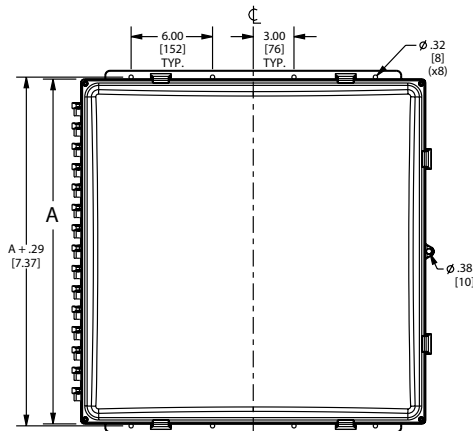
COVER REMOVED



SCE-2424PCW



COVER REMOVED



Fiberglass Pushbutton Enclosures

Application -

Designed for indoor or outdoor use to house pushbuttons, switches, and pilot lights in areas that may be regularly hosed down, are in very wet conditions, or are exposed to corrosive agents. Provides protection from dust, dirt, oil and water.

Construction -

- Fiberglass reinforced compression molded polyester.
- Continuous memory retaining gasket.
- Hole diameter is 1.20" (30.5 mm).

Finish -

Light gray fiberglass.

IS5 - Industry Standards -

NEMA Type 4, 4X, 12 & Type 13

UL Listed Type 4, 4X & 12

CSA Type 4, 4X & 12

IEC 60529 IP66



FIBERGLASS PUSHBUTTON ENCLOSURES

ENCLOSURE PRODUCT CODE F1							
Catalog No.	Height (A)	Width (B)	Depth (C)	Mounting (G)	Mounting (H)	Industry Standard	List Price
SCE-1PBFG	6.63	3.81	3.88	4.88	2.94	IS5	78.24
SCE-2PBFG	6.63	3.81	3.88	4.88	2.94	IS5	80.28
SCE-3PBFG	8.88	3.81	3.88	7.13	2.94	IS5	88.61

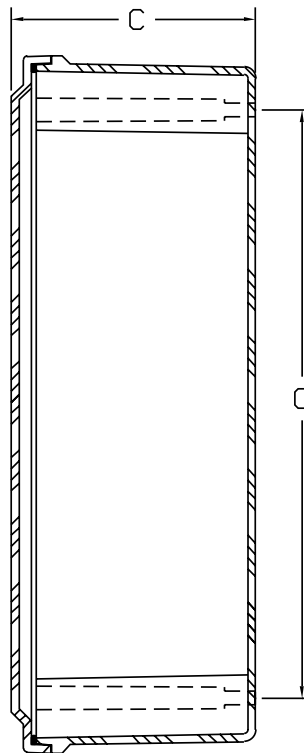
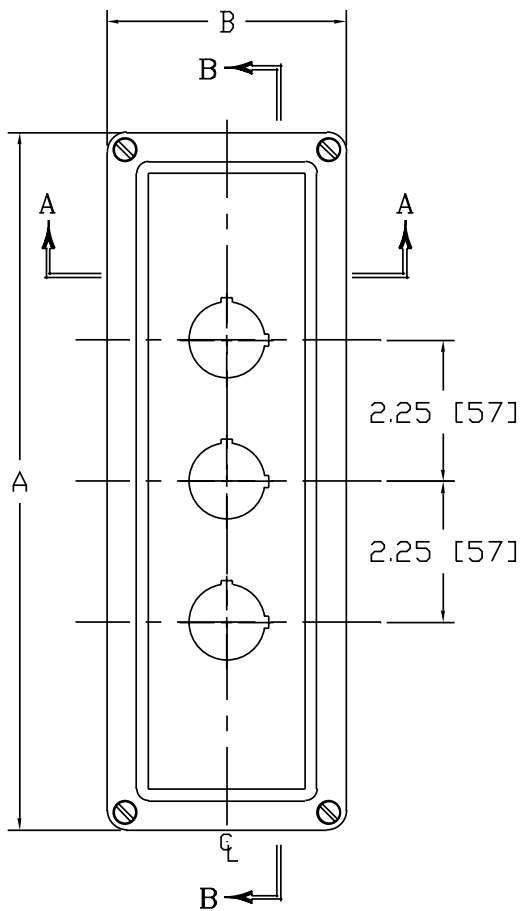
Phone (989) 799-6871

Fax (989) 799-4524

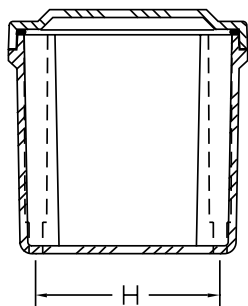


FIBERGLASS PUSHBUTTON ENCLOSURES

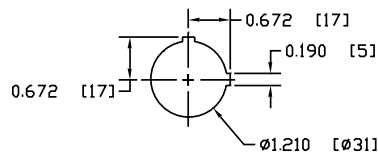
TECHNICAL DATA



SECTION B-B



SECTION A-A



DETAIL A

Fiberglass Screw Cover Junction Enclosures

Application -

Designed for indoor or outdoor use to house electronic controls, instruments and components in areas that may be regularly hosed down, are in very wet conditions, or are exposed to corrosive agents. Provides protection from dust, dirt, oil and water.

Construction -

- Fiberglass reinforced compression molded polyester.
- Continuous memory retaining gasket.
- Mounting strips molded in.
- Captive screw fasteners.
- Integral panel mounting inserts.
- Stainless steel continuous hinge.

Finish -

Light gray fiberglass. Optional sub-panels are marine grade aluminum.

IS5 - Industry Standards -

NEMA Type 4, 4X, 12 & Type 13
UL Listed Type 4, 4X & 12
CSA Type 4, 4X & 12
IEC 60529 IP66



FIBERGLASS SCREW COVER JUNCTION ENCLOSURES

ENCLOSURE PRODUCT CODE F1										
Catalog No.	Height (A)	Width (B)	Depth (C)	Mounting (G)	Mounting (H)	Interior (J)	Interior (K)	Interior (L)	Industry Standard	List Price
SCE-604FG	7.39	5.45	4.75	6.75	2.00	5.84	3.85	4.00	IS5	114.93
SCE-606FG	7.53	7.53	4.75	6.75	4.00	5.72	5.72	4.00	IS5	131.74
SCE-806FG	9.56	7.52	4.75	8.88	4.00	7.73	5.74	4.00	IS5	136.10
SCE-808FG	9.38	9.38	4.88	8.75	6.00	7.73	7.73	4.06	IS5	149.83
SCE-1008FG	11.35	9.41	4.25	10.75	6.00	9.73	7.73	3.50	IS5	154.47
SCE-10086FG	11.38	9.38	5.08	10.75	6.00	9.73	7.73	4.37	IS5	159.75
SCE-1210FG	13.41	11.43	5.21	12.75	8.00	11.79	9.80	4.50	IS5	164.72
SCE-1212FG	13.38	13.38	6.35	12.75	10.00	11.70	11.70	5.53	IS5	197.63
SCE-1407FG	15.75	8.75	6.81	15.00	5.00	14.00	7.00	6.12	IS5	212.88
SCE-1412FG	15.48	13.48	6.21	14.62	10.00	13.53	11.55	5.37	IS5	209.77
SCE-1614FG	17.47	15.46	6.23	16.75	12.00	15.63	13.60	5.36	IS5	241.00
SCE-1816FG	19.61	17.61	8.82	18.88	12.00	17.69	15.69	7.99	IS5	319.30
SCE-2016FG	21.68	17.69	8.84	21.25	10.00	19.72	15.72	8.00	IS5	551.00

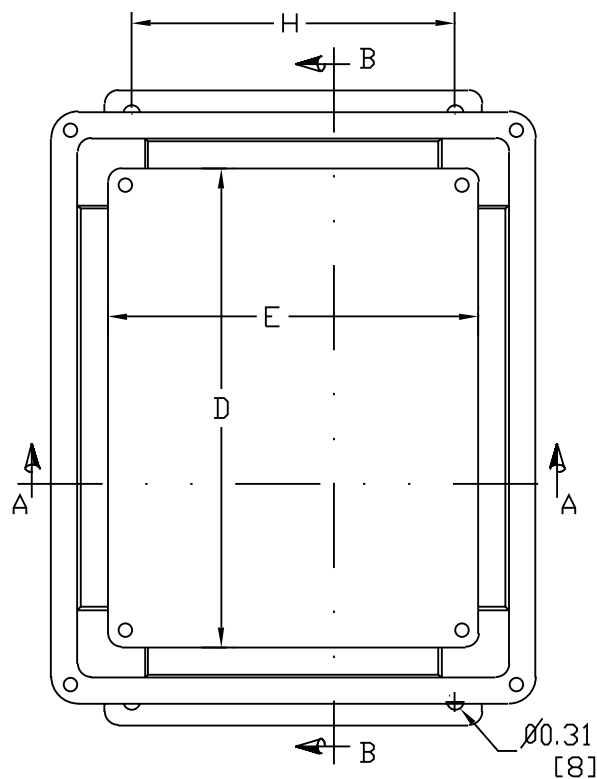
SUB-PANELS (F2)			
Catalog No.	Panel Height (D)	Panel Width (E)	List Price
SCE-6P4AL	5.00	3.00	15.35
SCE-6P6AL	5.00	5.00	15.58
SCE-8P6AL	7.00	5.00	18.82
SCE-8P8AL	7.00	7.00	23.62
SCE-10P8AL	9.00	7.00	25.38
SCE-12P10AL	11.00	9.00	25.99
SCE-12P12AL	11.00	11.00	27.68
SCE-14P8AL	13.00	7.00	28.39
SCE-14P12AL	13.00	11.00	36.87
SCE-16P14AL	15.00	13.00	46.72
SCE-18P16AL	16.88	14.88	55.53
SCE-20PJ16AL	18.88	14.88	65.28

Phone (989) 799-6871
Fax (989) 799-4524

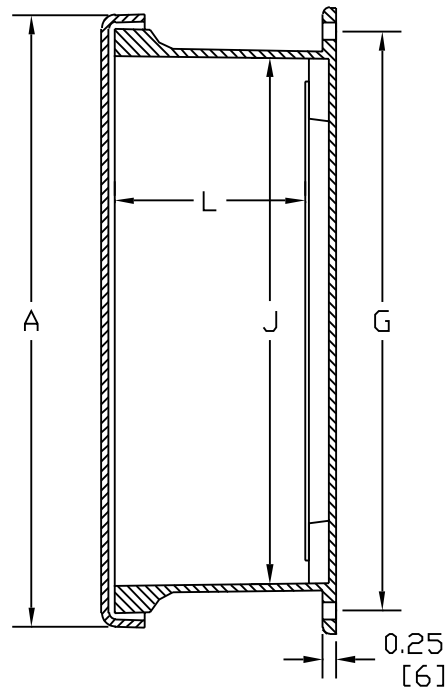


FIBERGLASS SCREW COVER JUNCTION ENCLOSURES

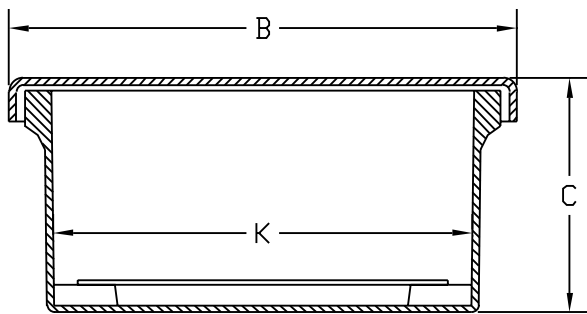
TECHNICAL DATA



FRONT VIEW WITH COVER REMOVED



SECTION B-B



SECTION A-A

Fiberglass Junction Enclosures

Application -

Designed for indoor or outdoor use to house electrical and electronic controls, instruments and components in areas that may be regularly hosed down, are in very wet conditions, or are exposed to corrosive agents. Provides protection from dust, dirt, oil and water. Provides protection from occasional temporary or prolonged submersion.

Construction -

- Fiberglass reinforced compression molded polyester.
- Oil-resistant door gasket.
- Mounting strip molded in.
- Quick release padlock latch.
- Integral panel mounting inserts.
- Stainless steel continuous hinge.

Finish -

Light gray fiberglass. Optional sub-panels are marine grade aluminum.

IS5 - Industry Standards -

NEMA Type 4, 4X, 12 & Type 13
UL Listed Type 4, 4X & 12
CSA Type 4, 4X & 12
IEC 60529 IP66



FIBERGLASS JUNCTION ENCLOSURES

ENCLOSURE PRODUCT CODE F1

Catalog No.	Height (A)	Width (B)	Depth (C)	Mounting (G)	Mounting (H)	Interior (J)	Interior (K)	Interior (L)	Industry Standard	List Price
SCE-6045CHQRFG	7.39	5.43	4.73	6.75	2.00	5.84	3.85	4.00	IS5	160.37
SCE-6065CHQRFG	7.53	7.53	4.72	6.75	4.00	5.72	5.72	4.00	IS5	166.42
SCE-8065CHQRFG	9.52	7.52	4.71	8.88	4.00	7.73	5.74	4.00	IS5	168.57
SCE-808CHQRFG	9.38	9.38	4.88	8.75	6.00	7.73	7.73	4.06	IS5	176.21
SCE-10085CHQRFG	11.35	9.41	4.25	10.75	6.00	9.73	7.73	3.50	IS5	183.26
SCE-12105CHQRFG	13.41	11.43	5.21	12.75	8.00	11.79	9.80	4.50	IS5	209.45
SCE-1212CHQRFG	13.38	13.38	6.34	12.75	10.00	11.70	11.70	5.53	IS5	242.97
SCE-14087CHQRFG	15.75	8.75	6.81	15.00	5.00	14.00	7.00	6.12	IS5	279.46
SCE-14127CHQRFG	15.48	13.48	6.21	14.62	10.00	13.53	11.55	5.37	IS5	264.92
SCE-16147CHQRFG	17.46	15.46	6.23	16.75	12.00	15.63	13.60	5.36	IS5	287.72
SCE-18169CHQRFG	19.61	17.61	8.82	18.88	12.00	17.69	15.69	7.99	IS5	373.97
SCE-2016CHQRFG	21.68	17.68	8.84	21.25	10.00	19.72	15.72	8.00	IS5	592.60

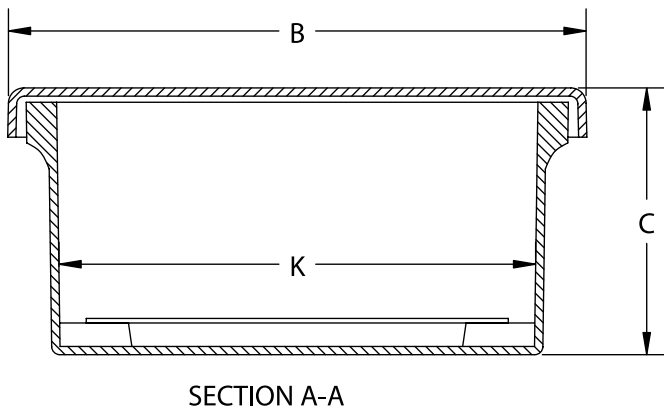
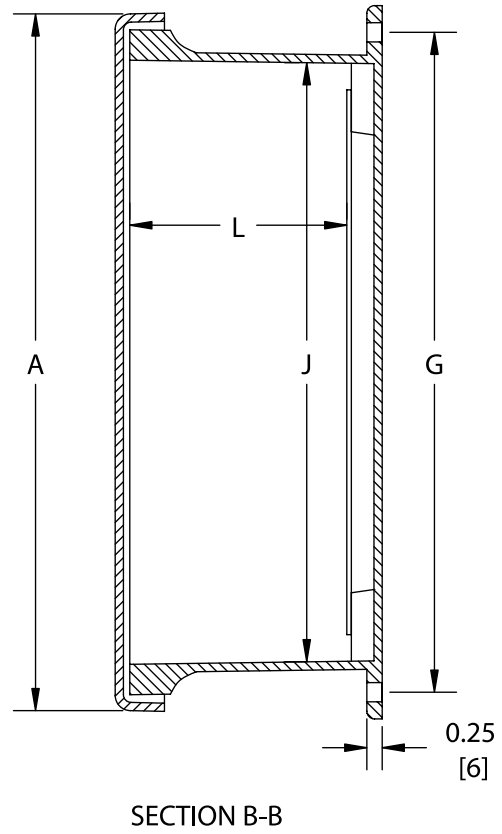
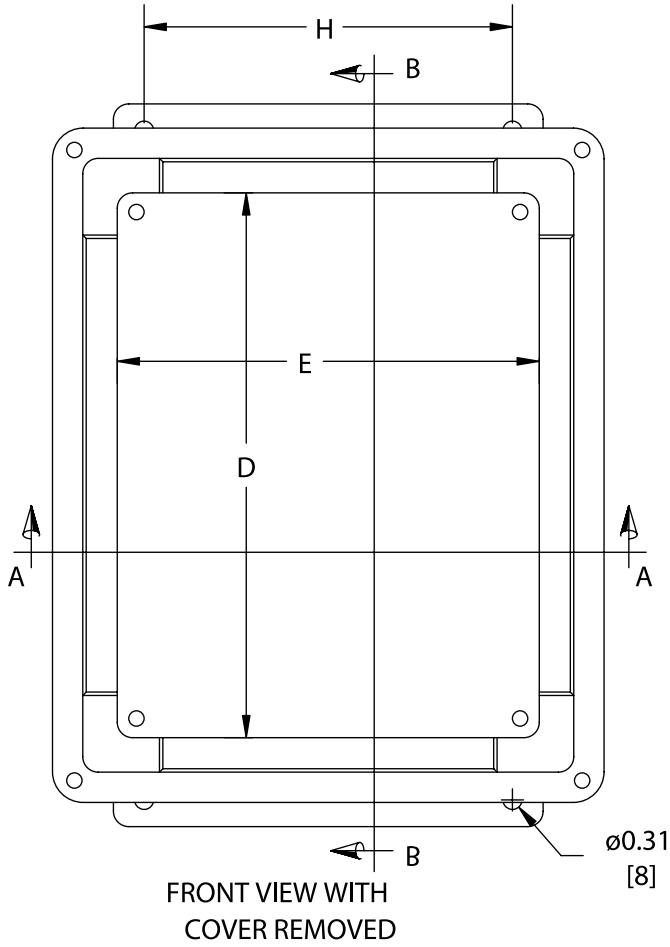
SUB-PANELS (F2)

Catalog No.	Panel Height (D)	Panel Width (E)	List Price
SCE-6P4AL	5.00	3.00	15.35
SCE-6P6AL	5.00	5.00	15.58
SCE-8P6AL	7.00	5.00	18.82
SCE-8P8AL	7.00	7.00	23.62
SCE-10P8AL	9.00	7.00	25.38
SCE-12P10AL	11.00	9.00	25.99
SCE-12P12AL	11.00	11.00	27.68
SCE-14P8AL	13.00	7.00	28.39
SCE-14P12AL	13.00	11.00	36.87
SCE-16P14AL	15.00	13.00	46.72
SCE-18P16AL	16.88	14.88	55.53
SCE-20P16AL	18.88	14.88	65.28

Phone (989) 799-6871
Fax (989) 799-4524



FIBERGLASS JUNCTION ENCLOSURES TECHNICAL DATA



Fiberglass Junction Enclosures With Window

Application -

Designed for indoor or outdoor use to house electronic controls, instruments and components in areas that may be regularly hosed down, are in very wet conditions, or are exposed to corrosive agents and require unrestricted viewing of gauges or controls. Provides protection from dust, dirt, oil and water.

Construction -

- Fiberglass reinforced compression molded polyester.
- Continuous memory retaining gasket.
- Mounting strips molded in.
- Quick release padlock latch.
- Integral panel mounting inserts.
- Stainless steel continuous hinge.
- UVA acrylic bonded polycarbonate window.

Finish -

Light gray fiberglass. Optional sub-panels are marine grade aluminum.

IS5 - Industry Standards -

NEMA Type 4, 4X, 12 & Type 31
UL Listed Type 4, 4X & 12
CSA Type 4, 4X & 12
IEC 60529 IP66



FIBERGLASS JUNCTION ENCLOSURES WITH WINDOW

ENCLOSURE PRODUCT CODE F1

Catalog No.	Height (A)	Width (B)	Depth (C)	Mounting (G)	Mounting (H)	Interior (J)	Interior (K)	Interior (L)	Industry Standard	List Price
SCE-604FW	7.39	5.45	4.73	6.75	2.00	5.84	3.85	4.00	IS5	219.77
SCE-606FW	7.53	7.53	4.72	6.75	4.00	5.72	5.72	4.00	IS5	232.73
SCE-806FW	9.52	7.52	4.71	8.88	4.00	7.73	5.74	4.00	IS5	241.49
SCE-808FW	9.38	9.38	4.88	8.75	6.00	7.73	7.73	4.06	IS5	252.62
SCE-1008FW	11.35	9.41	4.25	10.75	6.00	9.73	7.73	3.50	IS5	276.21
SCE-10086FW	11.38	9.37	5.08	10.75	6.00	9.73	7.73	4.37	IS5	289.96
SCE-1210FW	13.41	11.43	5.21	12.75	8.00	11.79	9.80	4.50	IS5	320.36
SCE-1212FW	13.38	13.38	6.34	12.75	10.00	11.70	11.70	5.53	IS5	307.76
SCE-1407FW	15.75	8.75	6.81	15.00	5.00	14.00	7.00	6.12	IS5	448.59
SCE-1412FW	15.48	13.48	6.21	14.62	10.00	13.53	11.55	5.37	IS5	441.58
SCE-1614FW	17.47	15.46	6.23	16.75	12.00	15.63	13.60	5.36	IS5	505.54
SCE-1816FW	19.61	17.61	8.82	18.88	12.00	17.69	15.69	7.99	IS5	620.64
SCE-2016FW	21.68	17.68	8.81	21.25	10.00	19.72	15.72	8.00	IS5	1002.57

SUB-PANELS (F2)

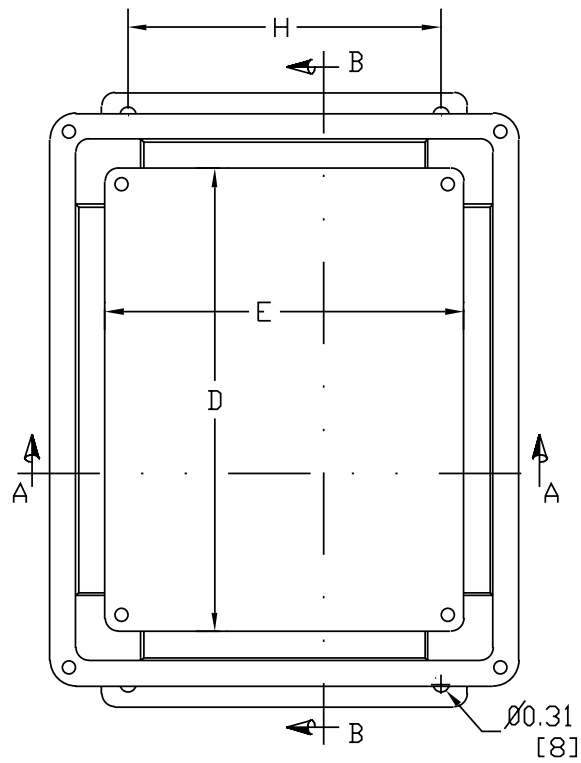
Catalog No.	Panel Height (D)	Panel Width (E)	List Price
SCE-6P4AL	5.00	3.00	15.35
SCE-6P6AL	5.00	5.00	15.58
SCE-8P6AL	7.00	5.00	18.82
SCE-8P8AL	7.00	7.00	23.62
SCE-10P8AL	9.00	7.00	25.38
SCE-12P10AL	11.00	9.00	25.99
SCE-12P12AL	11.00	11.00	27.68
SCE-14P8AL	13.00	7.00	28.39
SCE-14P12AL	13.00	11.00	36.87
SCE-16P14AL	15.00	13.00	46.72
SCE-18P16AL	16.88	14.88	55.53
SCE-20P16AL	18.88	14.88	65.28

Phone (989) 799-6871
Fax (989) 799-4524

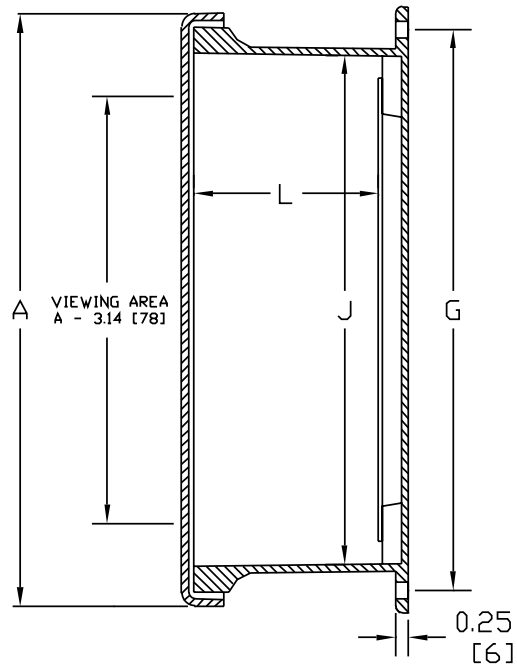


FIBERGLASS JUNCTION ENCLOSURES WITH WINDOW

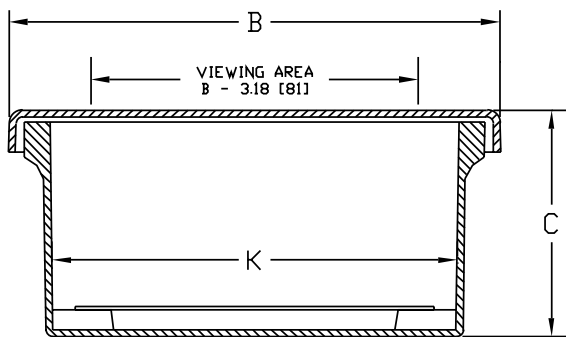
TECHNICAL DATA



FRONT VIEW WITH COVER REMOVED



SECTION B-B



SECTION A-A

Fiberglass Wall-Mount Enclosures

Application -

Designed for indoor or outdoor use to house electrical and electronic controls, instruments and components in areas that may be regularly hosed down, are in very wet conditions, or are exposed to corrosive agents. Provides protection from dust, dirt, oil and water.

Construction -

- Fiberglass reinforced compression molded polyester.
- Oil-resistant door gasket.
- Mounting feet molded in.
- Quick release latches.
- Padlock hasp and staple.
- Integral panel mounting inserts.
- Stainless steel continuous hinge.

Finish -

Light gray fiberglass. Optional sub-panels are marine grade aluminum.

IS5 - Industry Standards -

NEMA Type 4, 4X, 12 & Type 13
 UL Listed Type 4, 4X & 12
 CSA Type 4, 4X & 12
 IEC 60529 IP66



FIBERGLASS WALL-MOUNT ENCLOSURES

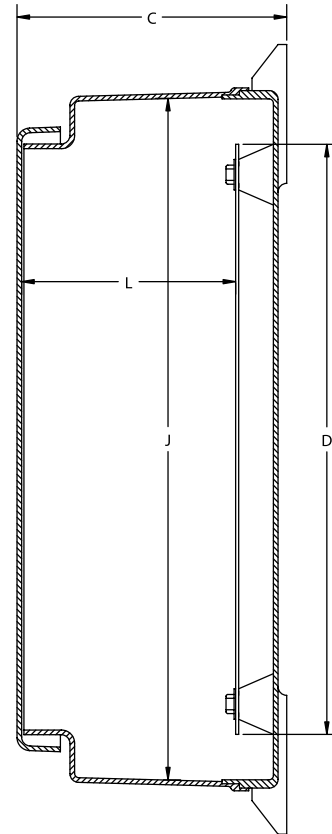
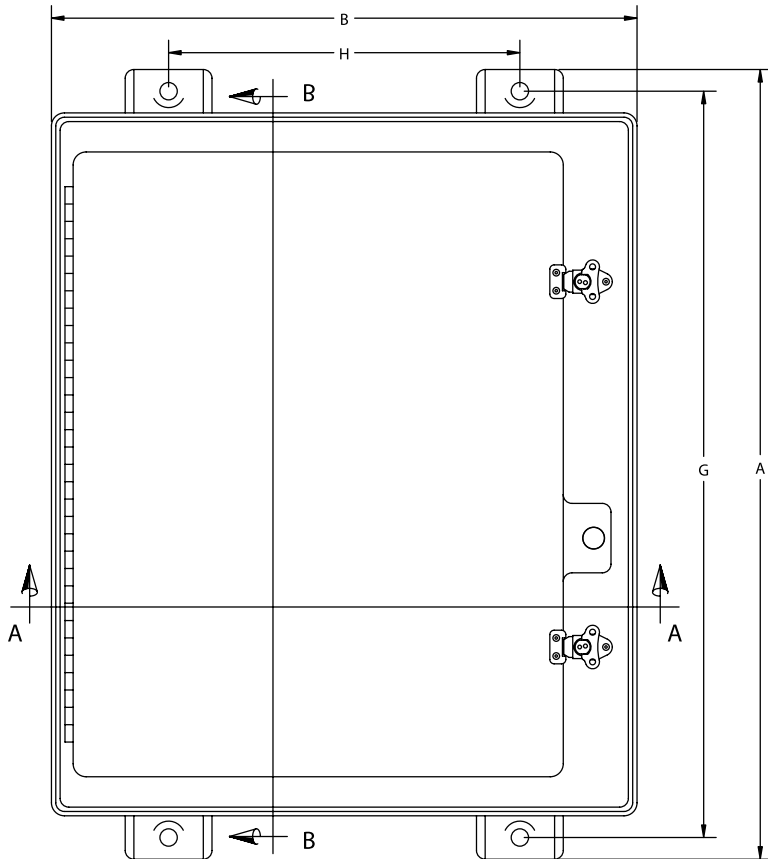
ENCLOSURE PRODUCT CODE F1										
Catalog No.	Height (A)	Width (B)	Depth (C)	Mounting (G)	Mounting (H)	Interior (J)	Interior (K)	Interior (L)	Industry Standard	List Price
SCE-16H1009QFGLP	18.75	10.96	9.03	17.50	7.00	15.92	10.27	7.80	IS5	878.30
SCE-20H1608QFGLP	22.75	16.87	7.77	21.50	10.12	19.70	16.04	6.26	IS5	776.59
SCE-20H1610QFGLP	22.75	16.87	9.77	21.50	10.12	19.70	16.04	8.26	IS5	878.30
SCE-20H1612QFGLP	22.75	16.87	11.77	21.50	10.12	19.70	16.04	10.26	IS5	972.59
SCE-24H2010QFGLP	27.00	21.24	9.90	25.75	14.00	24.05	20.39	8.25	IS5	1313.22
SCE-30H2010QFGLP	32.84	21.00	9.88	31.75	14.25	29.90	20.14	8.23	IS5	1401.46
SCE-30H2409QFGLP	33.41	26.00	8.81	32.25	18.50	30.46	25.47	7.12	IS5	1571.62
SCE-30H2412QFGLP	33.41	26.32	11.95	32.25	18.50	30.46	25.47	10.27	IS5	1591.02
SCE-30H2414QFGLP	33.41	26.28	13.79	32.25	18.50	30.46	25.47	12.10	IS5	1673.51
SCE-36H3010QFGLP	39.31	32.50	10.02	38.13	23.88	36.31	31.69	8.36	IS5	2038.48
SCE-36H3012QFGLP	39.31	32.50	12.05	38.13	23.88	36.31	31.69	10.36	IS5	2059.81
SCE-36H3014QFGLP	39.31	32.50	14.06	38.13	23.88	36.31	31.69	12.36	IS5	2208.61

SUB-PANELS (F2)			
Catalog No.	Panel Height (D)	Panel Width (E)	List Price
SCE-16P10AL	13.00	8.50	41.63
SCE-20P16AL	17.00	13.00	76.68
SCE-24P20AL	21.00	17.00	106.15
SCE-30P20AL	27.00	17.00	130.68
SCE-30P24AL	27.00	21.00	174.35
SCE-36P30AL	33.00	27.00	252.39

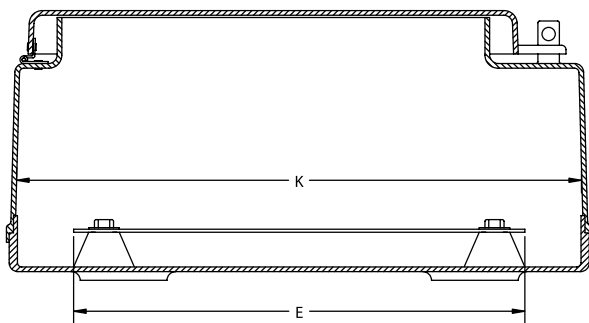
Phone (989) 799-6871
 Fax (989) 799-4524



FIBERGLASS WALL-MOUNT ENCLOSURES TECHNICAL DATA



SECTION B-B



SECTION A-A

Note: SCE-16H1009QFGLP has no padlock feature.

NOTES

- 11 Index
- 10 Technical Information
- 9 Accessories
- 8 Non-Metallic Enclosures
- 7 Free-Standing & Floor-Mounted Enclosures (Stainless Steel)
- 6 Wall-Mount Enclosures (Stainless Steel)
- 5 Operator System Enclosures (Stainless Steel)
- 4 Modular Enclosures
- 3 Free-Standing & Floor-Mounted Enclosures
- 2 Wall-Mount Enclosures
- 1 Operator System Enclosures

Phone (989) 799-6871
 Fax (989) 799-4524



NOTES



Phone (989) 799-6871
Fax (989) 799-4524

1 Operator System Enclosures

2 Wall-Mount Enclosures

3 Free-Standing & Floor-Mounted Enclosures

4 Modular Enclosures

5 Operator System Enclosures (Stainless Steel)

6 Wall-Mount Enclosures (Stainless Steel)

7 Free-Standing & Floor-Mounted Enclosures (Stainless Steel)

8 Non-Metallic Enclosures

9 Accessories

10 Technical Information

11 Index

Accessories

Enviro-Therm® Thermal Management320 – 351

- Air Conditioners
- Thermoelectric Coolers
- Heat Exchangers
- Thermostats
- Breather Vent
- Blower Packages
- Type 12 Fan / Filter Packages
- Fan & Grille Kits
- Type 3R Fan / Filter Packages
- Rain Hoods
- Cooling Fans
- Fan/Heater with Thermostats
- Touch Safe Heaters
- Louver & Filter Kits

Door Hardware352 – 355

- Quarter Turn Latches
- SCE Door Handles
- Stainless Steel L-Handle
- Flush Swing Handles
- Three-Point Door Rod Kits
- Clamps
- Pull Handles

Program Ports356 – 357

General Accessories358 – 366

- Grounding Bars & Straps
- Door Stop Kit
- Removable Wire Covers
- Keyboard Kit
- Pullout Keyboard Drawers
- Drip Shield Kits
- Folding Shelves
- Columns & Bases
- LED Light Fixtures
- LED Strip Lights
- Light Switch Mounting Bracket
- Mechanical Interlocks
- Electrical Interlock
- Electrical Interlock Defeater
- Disconnect Adapters
- Hole Plugs

Suspension System368 – 373



Phone (989) 799-6871
Fax (989) 799-4524



Your Enclosure Source

Accessories

Mounting Options 374 – 381

- EL Flush Mount Frames
- Wall Mount Standoffs
- Mounting Straps
- Lifting Lugs
- Caster Kits
- Leveling Pads
- Angle Iron Mounting Feet
- Heavy Duty Mounting Kit
- Mounting Foot Kit for Enviroline® Enclosures
- Nema 3R Mounting Foot Kit
- Mounting Foot Kit for (ELJ) Enviroline® Enclosures
- Floor Stand Kits
- Skirt Kits

Mounting Panels.....382 – 395

- Sub-Panels
- Filler Plates
- Individual Panel Supports
- Dead Front Panels
- Swing Out Panel Assembly for “LP” Enclosures
- Swing Out Panel Assembly for Enviroline® Enclosures
- Barrier Plates

Media Pockets & Windows396 – 397

- Exterior Print Pockets
- CD & Disk Pockets
- Print Pockets
- NEMA 4 Window Kits

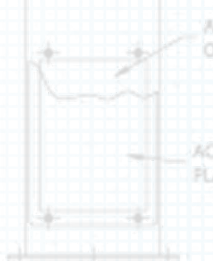
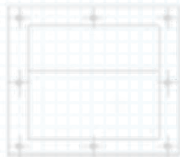
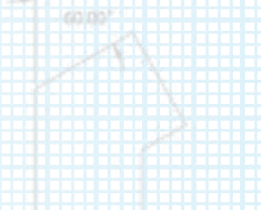
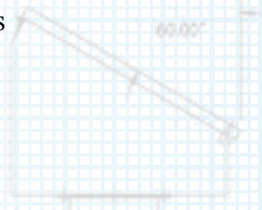
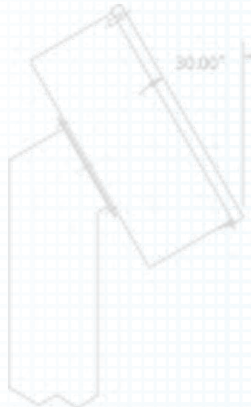
Protective Access Enclosures.....398 – 401

- Hinged Window Enclosures
- Hinged Access Enclosures
- Internal Disconnect Enclosures
- External Disconnect Enclosures
- Keylock Box

Service Parts402 – 405

- | | |
|----------------------------|-------------------------|
| • Door Gasket | • Keys |
| • EMI Gasket | • Hinges |
| • Mechanical Defeater | • Captive Screws |
| • Sealing Washers | • Bolt Packs |
| • Channel Nuts & Clip Nuts | • Replacement Filters |
| • Touch Up Paint | • Replacement LED Bulbs |

AC Service Parts406



ENVIRO-THERM® THERMAL MANAGEMENT

Air Conditioners

Enviro-Therm® Air Conditioners are designed with an internal closed loop system to provide protection from dust, oil and water. For indoor and outdoor application. Rugged, energy efficient, and reliable cooling system. For more details and Installation Information, consult our Installation Manual at www.saginawcontrol.com.

Construction -

- Heavy gauge steel/stainless steel.
- Internal components are corrosion resistant.
- Coils are designed as filterless units, fin spacing and hydrophobic Nano coating to help reduce chance of clogging.
- Washable, Reusable 8 layer aluminum mesh filters included.
- Captive screw fastened filter cover.
- Compressor Heater.
- Enclosure Heater for low ambient temperatures.
- Easy Mounting Flange hangers for installation included.
- High temp alarm.
- High performance ball bearing fans.
- Door activated switch wiring provisions.
- Cage clamp terminal connector.
- Oil and water resistant gaskets installed.

Electrical -

- cULus Listed
- CE
- Surge protected and EMI compliant - IEC61000 and CE requirement

Finish -

Powder coated steel cover RAL 7035 River Texture over Aluzinc coated steel.
SS units: #4 brushed finish 304 Stainless Steel cover and frame.
SS6 units: #4 brushed finish 316 Stainless Steel cover.

IS19 - Industry Standards -

UL Recognized Type 3, 3R, 4 & 12
IEC 60529 IP56

IS20 - Industry Standards -

UL Recognized Type 3, 3R, 4, 4X & 12
IEC 60529 IP56



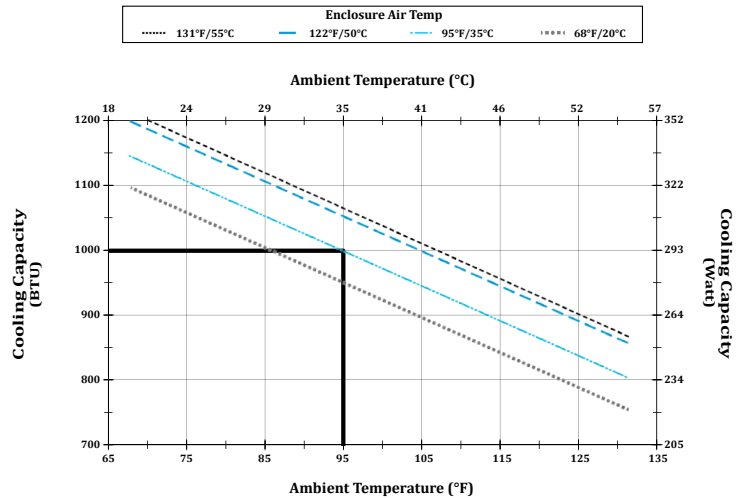
AIR CONDITIONER PRODUCT CODE P1								
Catalog No.	BTU 95°F @ 95°F	Enclosure Heating Capacity (W)	Hz	Voltage	Line Amps	Startup Amps	Industry Standard	List Price
SCE-AC1000B120V	1000	150 W	60	120V	2.4	8.00	IS19	2,551.50
SCE-AC1000B230V	1000	150 W	50/60	230V	1.5	8.00	IS19	2,551.50

Stainless Steel Type 304

SCE-AC1000B120VSS	1000	150 W	60	120V	2.4	8.00	IS20	3,746.25
SCE-AC1000B230VSS	1000	150 W	50/60	230V	1.5	8.00	IS20	3,746.25

Stainless Steel Type 316

SCE-AC1000B120VSS6	1000	150 W	60	120V	2.4	8.00	IS20	4,188.54
SCE-AC1000B230VSS6	1000	150 W	50/60	230V	1.5	8.00	IS20	4,188.54

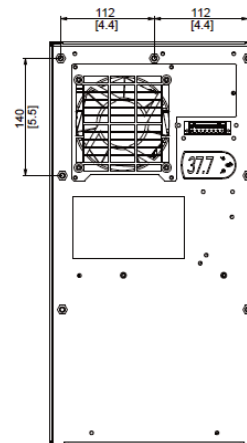
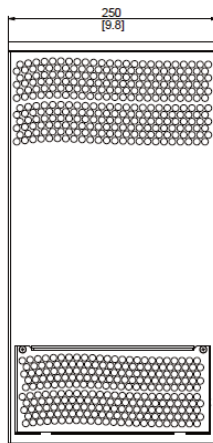
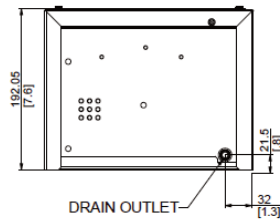
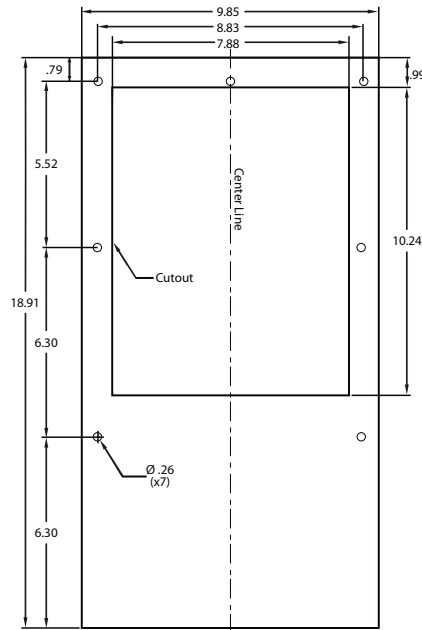


Phone (989) 799-6871
Fax (989) 799-4524



ENVIRO-THERM® AIR CONDITIONERS

TECHNICAL DATA



ENVIRO-THERM® THERMAL MANAGEMENT

Air Conditioners

Enviro-Therm® Air Conditioners are designed with an internal closed loop system to provide protection from dust, oil and water. For indoor and outdoor application. Rugged, energy efficient, and reliable cooling system. For more details and Installation Information, consult our Installation Manual at www.saginawcontrol.com.

Construction -

- Heavy gauge steel/stainless steel.
- Internal components are corrosion resistant.
- Coils are designed as filterless units, fin spacing and hydrophobic Nano coating to help reduce chance of clogging.
- Washable, Reusable 8 layer aluminum mesh filters included.
- Captive screw fastened filter cover.
- Compressor Heater.
- Enclosure Heater for low ambient temperatures.
- Easy Mounting Flange hangers for installation included.
- High temp alarm.
- High performance ball bearing fans.
- Door activated switch wiring provisions.
- Cage clamp terminal connector.
- Oil and water resistant gaskets installed.

Electrical -

- cULus Listed
- CE
- Surge protected and EMI compliant - IEC61000 and CE requirement

Finish -

Powder coated steel cover RAL 7035 River Texture over Aluzinc coated steel.
SS units: #4 brushed finish 304 Stainless Steel cover and frame.
SS6 units: #4 brushed finish 316 Stainless Steel cover.

IS19 - Industry Standards -

UL Recognized Type 3, 3R, 4 & 12
IEC 60529 IP56

IS20 - Industry Standards -

UL Recognized Type 3, 3R, 4, 4X & 12
IEC 60529 IP56



AIR CONDITIONER PRODUCT CODE P1								
Catalog No.	BTU 95°F @ 95°F	Enclosure Heating Capacity (W)	Hz	Voltage	Line Amps	Startup Amps	Industry Standard	List Price

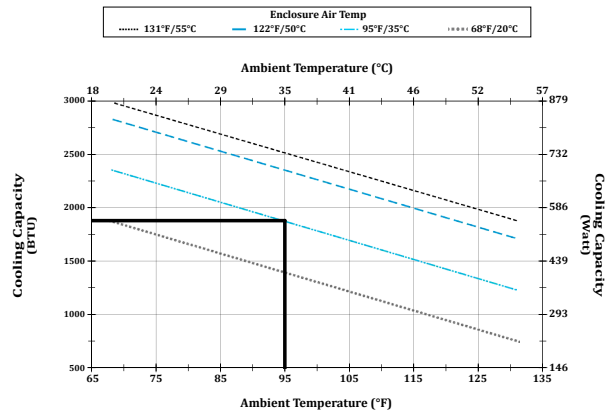
SCE-AC1870B120V	1870	400 W	50/60	120V	5.60	20.00	IS19	2,768.75
SCE-AC1870B230V	1870	400 W	50/60	230V	2.80	10.00	IS19	2,393.75
SCE-AC1870B460V	1870	400 W	50/60	460V	1.40	5.00	IS19	2,928.13

Stainless Steel Type 304

SCE-AC1870B120VSS	1870	400 W	50/60	120V	5.60	20.00	IS20	4,068.75
SCE-AC1870B230VSS	1870	400 W	50/60	230V	2.80	10.00	IS20	3,906.25
SCE-AC1870B460VSS	1870	400 W	50/60	460V	1.40	5.00	IS20	4,231.25

Stainless Steel Type 316

SCE-AC1870B120VSS6	1870	400 W	50/60	120V	5.60	20.00	IS20	4,945.42
SCE-AC1870B230VSS6	1870	400 W	50/60	230V	2.80	10.00	IS20	4,771.27
SCE-AC1870B460VSS6	1870	400 W	50/60	460V	1.40	5.00	IS20	5,120.08



AIR CONDITIONER PRODUCT CODE P1								
Catalog No.	BTU 95°F @ 95°F	Enclosure Heating Capacity (W)	Hz	Voltage	Line Amps	Startup Amps	Industry Standard	List Price

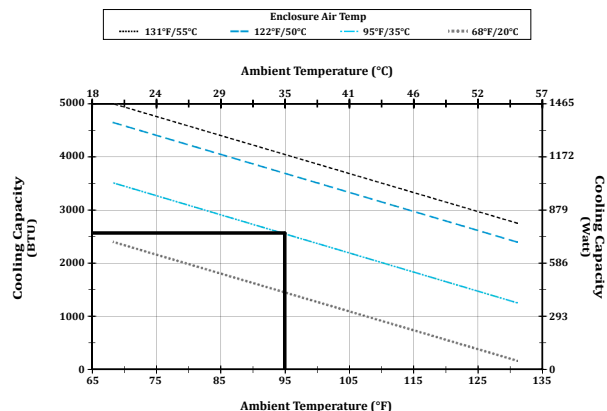
SCE-AC2550B120V	2550	400 W	50/60	120V	7.40	20.00	IS19	2,890.63
SCE-AC2550B230V	2550	400 W	50/60	230V	3.70	10.00	IS19	2,740.63
SCE-AC2550B460V	2550	400 W	50/60	460V	1.90	5.00	IS19	3,053.13

Stainless Steel Type 304

SCE-AC2550B120VSS	2550	400 W	50/60	120V	7.40	20.00	IS20	4,193.75
SCE-AC2550B230VSS	2550	400 W	50/60	230V	3.70	10.00	IS20	4,037.50
SCE-AC2550B460VSS	2550	400 W	50/60	460V	1.90	5.00	IS20	4,359.38

Stainless Steel Type 316

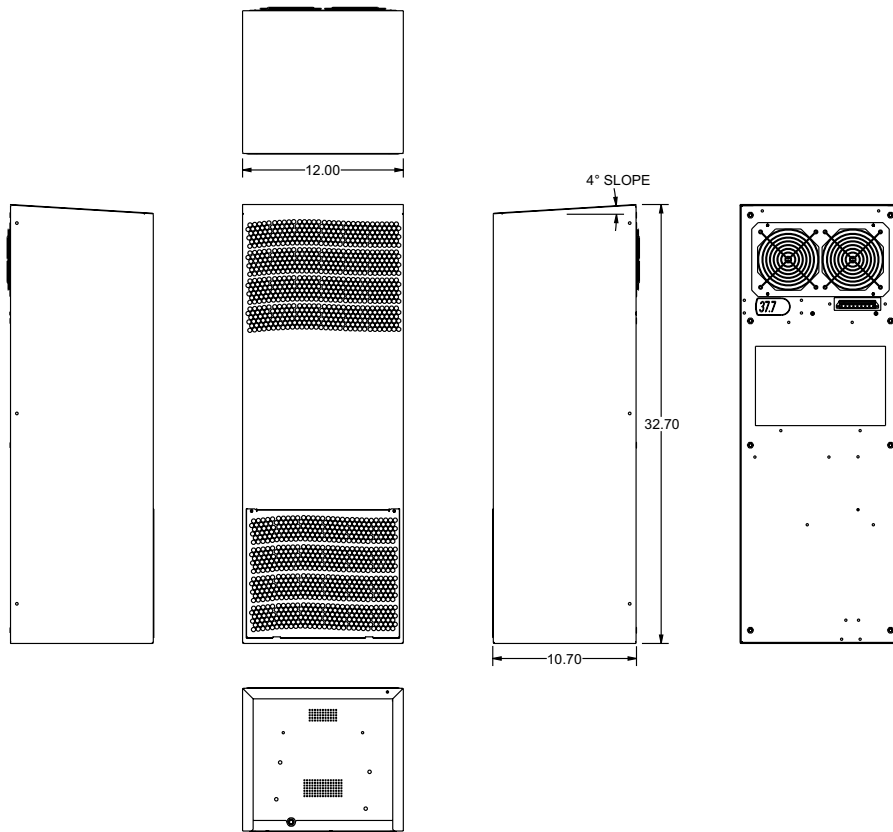
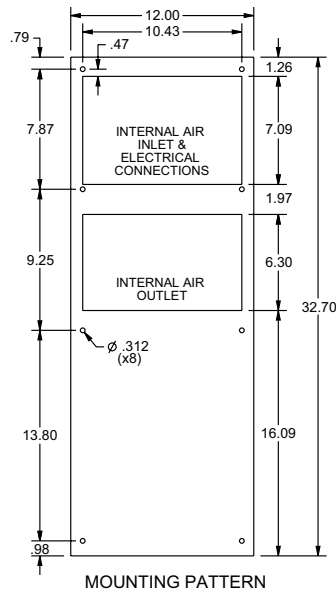
SCE-AC2550B120VSS6	2550	400 W	50/60	120V	7.40	20.00	IS20	5,081.43
SCE-AC2550B230VSS6	2550	400 W	50/60	230V	3.70	10.00	IS20	4,912.01
SCE-AC2550B460VSS6	2550	400 W	50/60	460V	1.90	5.00	IS20	5,260.71



1 Operator System Enclosures
2 Wall-Mount Enclosures
3 Free-Standing & Floor-Mounted Enclosures
4 Modular Enclosures
5 Operator System Enclosures (Stainless Steel)
6 Wall-Mount Enclosures (Stainless Steel)
7 Free-Standing & Floor-Mounted Enclosures (Stainless Steel)
8 Non-Metallic Enclosures
9 Enviro-Therm® Thermal Management
10 Technical Information
11 Index

ENVIRO-THERM® AIR CONDITIONERS

TECHNICAL DATA



ENVIRO-THERM® THERMAL MANAGEMENT

Air Conditioners

Enviro-Therm® Air Conditioners are designed with an internal closed loop system to provide protection from dust, oil and water. For indoor and outdoor application. Rugged, energy efficient, and reliable cooling system. For more details and Installation Information, consult our Installation Manual at www.saginawcontrol.com.

Construction -

- Heavy gauge steel/stainless steel.
- Internal components are corrosion resistant.
- Coils are designed as filterless units, fin spacing and hydrophobic Nano coating to help reduce chance of clogging.
- Washable, Reusable 8 layer aluminum mesh filters included.
- Captive screw fastened filter cover.
- Compressor Heater.
- Enclosure Heater for low ambient temperatures.
- Easy Mounting Flange hangers for installation included.
- High temp alarm.
- High performance ball bearing fans.
- Door activated switch wiring provisions.
- Cage clamp terminal connector.
- Oil and water resistant gaskets installed.

Electrical -

- cULus Listed
- CE
- Surge protected and EMI compliant - IEC61000 and CE requirement

Finish -

Powder coated steel cover RAL 7035 River Texture over Aluzinc coated steel.

SS units: #4 brushed finish 304 Stainless Steel cover and frame.

SS6 units: #4 brushed finish 316 Stainless Steel cover.

IS19 - Industry Standards -

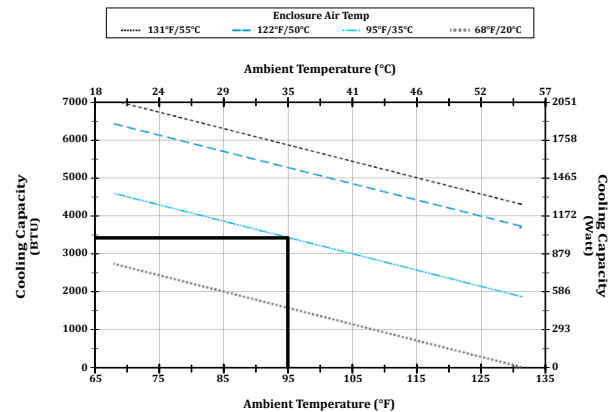
UL Recognized Type 3, 3R, 4 & 12
IEC 60529 IP56

IS20 - Industry Standards -

UL Recognized Type 3, 3R, 4, 4X & 12
IEC 60529 IP56



AIR CONDITIONER PRODUCT CODE P1								
Catalog No.	BTU 95°F @ 95°F	Enclosure Heating		Voltage	Line Amps	Startup Amps	Industry Standard	List Price
		Capacity (W)	Hz					
SCE-AC3400B120V	3400	400 W	50/60	120V	9.40	30.00	IS19	3,506.25
SCE-AC3400B230V	3400	400 W	50/60	230V	4.70	15.00	IS19	3,340.63
SCE-AC3400B460V	3400	400 W	50/60	460V	2.40	7.50	IS19	3,703.13
Stainless Steel Type 304								
SCE-AC3400B120VSS	3400	400 W	50/60	120V	9.40	30.00	IS20	4,965.63
SCE-AC3400B230VSS	3400	400 W	50/60	230V	4.70	15.00	IS20	4,787.50
SCE-AC3400B460VSS	3400	400 W	50/60	460V	2.40	7.50	IS20	5,162.50
Stainless Steel Type 316								
SCE-AC3400B120VSS6	3400	400 W	50/60	120V	9.40	30.00	IS20	5,975.61
SCE-AC3400B230VSS6	3400	400 W	50/60	230V	4.70	15.00	IS20	5,783.23
SCE-AC3400B460VSS6	3400	400 W	50/60	460V	2.40	7.50	IS20	6,188.23

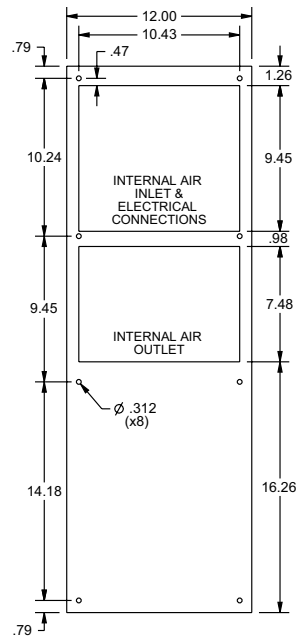


Phone (989) 799-6871
Fax (989) 799-4524

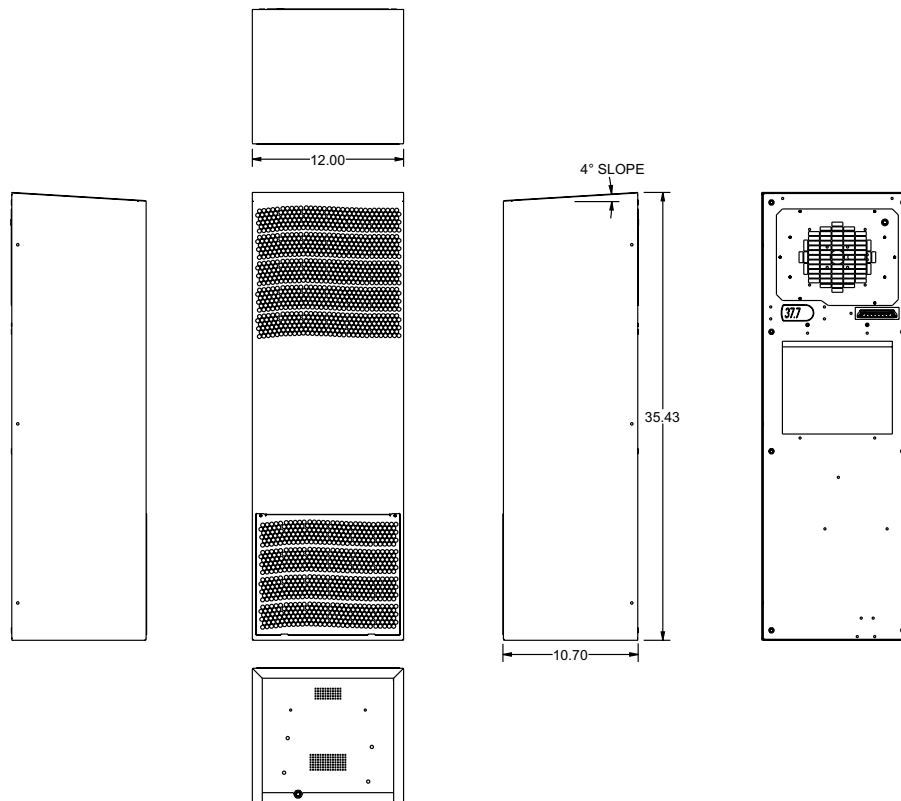


ENVIRO-THERM® AIR CONDITIONERS

TECHNICAL DATA



MOUNTING PATTERN



ENVIRO-THERM® THERMAL MANAGEMENT

Air Conditioners

Enviro-Therm® Air Conditioners are designed with an internal closed loop system to provide protection from dust, oil and water. For indoor and outdoor application. Rugged, energy efficient, and reliable cooling system. For more details and Installation Information, consult our Installation Manual at www.saginawcontrol.com.

Construction -

- Heavy gauge steel/stainless steel.
- Internal components are corrosion resistant.
- Coils are designed as filterless units, fin spacing and hydrophobic Nano coating to help reduce chance of clogging.
- Washable, Reusable 8 layer aluminum mesh filters included.
- Captive screw fastened filter cover.
- Compressor Heater.
- Enclosure Heater for low ambient temperatures.
- Easy Mounting Flange hangers for installation included.
- High temp alarm.
- High performance ball bearing fans.
- Door activated switch wiring provisions.
- Cage clamp terminal connector.
- Oil and water resistant gaskets installed.

Electrical -

- cULus Listed
- CE
- Surge protected and EMI compliant - IEC61000 and CE requirement

Finish -

Powder coated steel cover RAL 7035 River Texture over Aluzinc coated steel.
SS units: #4 brushed finish 304 Stainless Steel cover and frame.
SS6 units: #4 brushed finish 316 Stainless Steel cover.

IS19 - Industry Standards -

UL Recognized Type 3, 3R, 4 & 12
IEC 60529 IP56

IS20 - Industry Standards -

UL Recognized Type 3, 3R, 4, 4X & 12
IEC 60529 IP56



AIR CONDITIONER PRODUCT CODE P1								
Catalog No.	BTU 95°F @ 95°F	Enclosure Heating Capacity (W)	Hz	Voltage	Line Amps	Startup Amps	Industry Standard	List Price

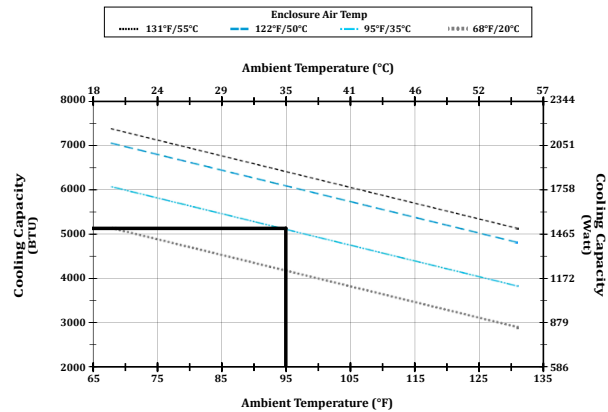
SCE-AC5100B120V	5100	1000 W	50/60	120V	12.80	32.00	IS19	3,903.13
SCE-AC5100B230V	5100	1000 W	50/60	230V	6.40	16.00	IS19	3,690.63
SCE-AC5100B460V	5100	1000 W	50/60	460V	3.20	8.00	IS19	4,118.75

Stainless Steel Type 304

SCE-AC5100B120VSS	5100	1000 W	50/60	120V	12.80	32.00	IS20	5,509.38
SCE-AC5100B230VSS	5100	1000 W	50/60	230V	6.40	16.00	IS20	5,278.13
SCE-AC5100B460VSS	5100	1000 W	50/60	460V	3.20	8.00	IS20	5,718.75

Stainless Steel Type 316

SCE-AC5100B120VSS6	5100	1000 W	50/60	120V	12.80	32.00	IS20	6,563.53
SCE-AC5100B230VSS6	5100	1000 W	50/60	230V	6.40	16.00	IS20	6,311.93
SCE-AC5100B460VSS6	5100	1000 W	50/60	460V	3.20	8.00	IS20	6,789.99



AIR CONDITIONER PRODUCT CODE P1								
Catalog No.	BTU 95°F @ 95°F	Enclosure Heating Capacity (W)	Hz	Voltage	Line Amps	Startup Amps	Industry Standard	List Price

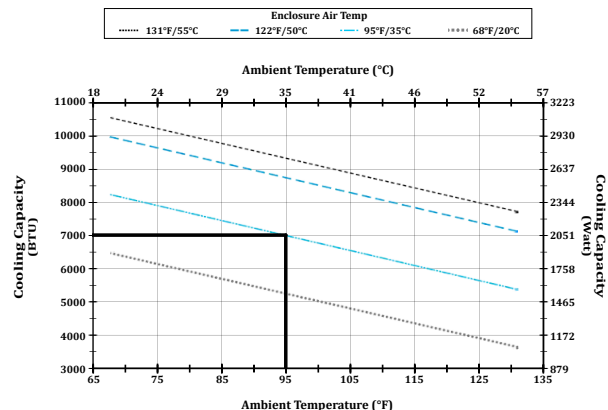
SCE-AC6800B120V	6800	1000 W	50/60	120V	15.80	60.00	IS19	4,781.25
SCE-AC6800B230V	6800	1000 W	50/60	230V	7.90	30.00	IS19	4,396.88
SCE-AC6800B460V3	6800	1000 W	50/60	380 / 460V (3~)	4.00	15.00	IS19	4,668.75

Stainless Steel Type 304

SCE-AC6800B120VSS	6800	1000 W	50/60	120V	15.80	60.00	IS20	6,290.63
SCE-AC6800B230VSS	6800	1000 W	50/60	230V	7.90	30.00	IS20	5,934.38
SCE-AC6800B460V3SS	6800	1000 W	50/60	380 / 460V (3~)	4.00	15.00	IS20	6,231.25

Stainless Steel Type 316

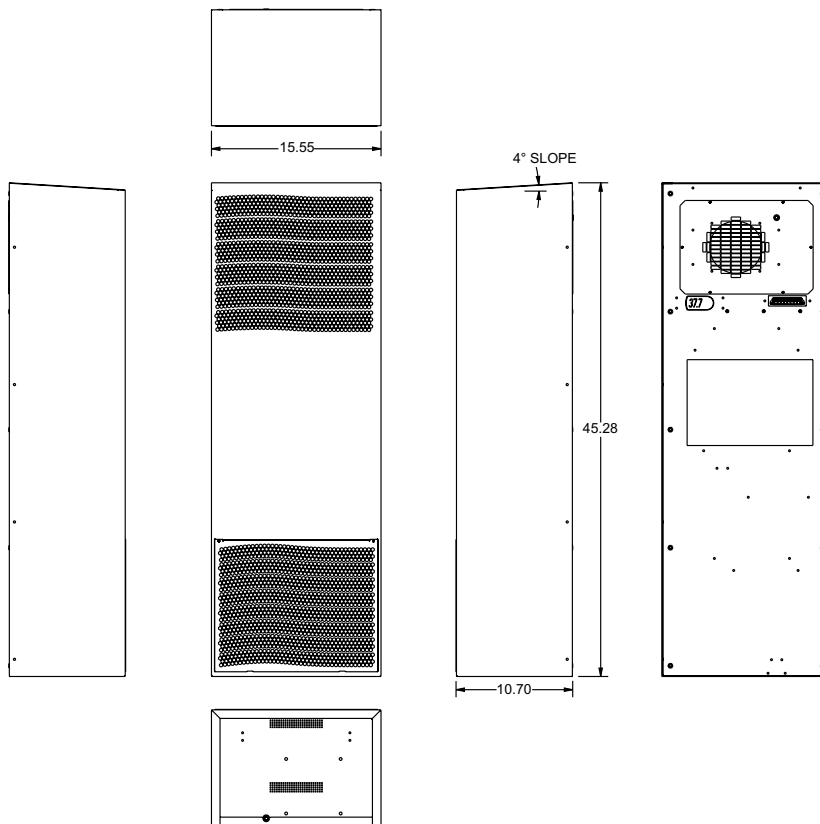
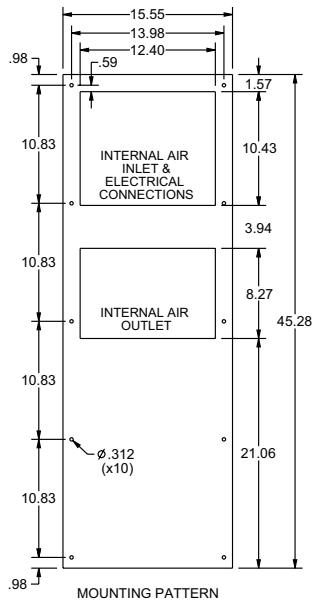
SCE-AC6800B120VSS6	6800	1000 W	50/60	120V	15.80	60.00	IS20	7,577.45
SCE-AC6800B230VSS6	6800	1000 W	50/60	230V	7.90	30.00	IS20	7,191.01
SCE-AC6800B460V3SS6	6800	1000 W	50/60	380 / 460V (3~)	4.00	15.00	IS20	7,512.41



1 Operator System Enclosures
2 Wall-Mount Enclosures
3 Free-Standing & Floor-Mounted Enclosures
4 Modular Enclosures
5 Operator System Enclosures (Stainless Steel)
6 Wall-Mount Enclosures (Stainless Steel)
7 Free-Standing & Floor-Mounted Enclosures (Stainless Steel)
8 Non-Metallic Enclosures
9 Enviro-Therm® Thermal Management
10 Technical Information
11 Index

ENVIRO-THERM® AIR CONDITIONERS

TECHNICAL DATA



ENVIRO-THERM® THERMAL MANAGEMENT

Air Conditioners

Enviro-Therm® Air Conditioners are designed with an internal closed loop system to provide protection from dust, oil and water. For indoor and outdoor application. Rugged, energy efficient, and reliable cooling system. For more details and Installation Information, consult our Installation Manual at www.saginawcontrol.com.

Construction -

- Heavy gauge steel/stainless steel.
- Internal components are corrosion resistant.
- Coils are designed as filterless units, fin spacing and hydrophobic Nano coating to help reduce chance of clogging.
- Washable, Reusable 8 layer aluminum mesh filters included.
- Captive screw fastened filter cover.
- Compressor Heater.
- Enclosure Heater for low ambient temperatures.
- Easy Mounting Flange hangers for installation included.
- High temp alarm.
- High performance ball bearing fans.
- Door activated switch wiring provisions.
- Cage clamp terminal connector.
- Oil and water resistant gaskets installed.

Electrical -

- cULus Listed
- CE
- Surge protected and EMI compliant - IEC61000 and CE requirement

Finish -

Powder coated steel cover RAL 7035 River Texture over Aluzinc coated steel.
SS units: #4 brushed finish 304 Stainless Steel cover and frame.
SS6 units: #4 brushed finish 316 Stainless Steel cover.

IS19 - Industry Standards -

UL Recognized Type 3, 3R, 4 & 12
IEC 60529 IP56

IS20 - Industry Standards -

UL Recognized Type 3, 3R, 4, 4X & 12
IEC 60529 IP56



AIR CONDITIONER PRODUCT CODE P1								
Catalog No.	BTU 95°F @ 95°F	Enclosure Heating Capacity (W)	Hz	Voltage	Line Amps	Startup Amps	Industry Standard	List Price

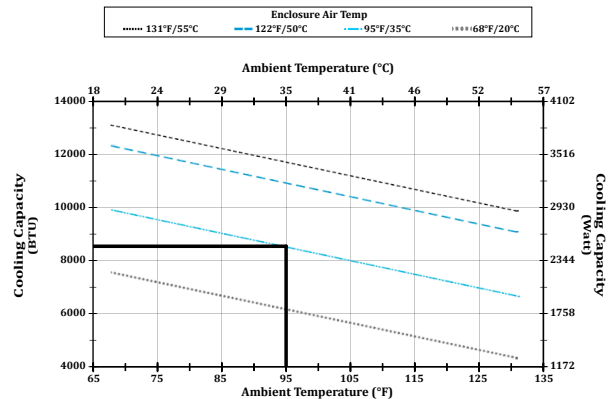
SCE-AC8500B120V	8500	1500 W	50/60	120V	16.80	45.00	IS19	5,265.63
SCE-AC8500B230V	8500	1500 W	50/60	230V	8.40	22.50	IS19	5,000.00
SCE-AC8500B460V	8500	1500 W	50/60	460V	4.20	11.20	IS19	5,368.75

Stainless Steel Type 304

SCE-AC8500B120VSS	8500	1500 W	50/60	120V	16.80	45.00	IS20	7,312.50
SCE-AC8500B230VSS	8500	1500 W	50/60	230V	8.40	22.50	IS20	7,018.75
SCE-AC8500B460VSS	8500	1500 W	50/60	460V	4.20	11.20	IS20	7,496.88

Stainless Steel Type 316

SCE-AC8500B120VSS6	8500	1500 W	50/60	120V	16.80	45.00	IS20	9,190.40
SCE-AC8500B230VSS6	8500	1500 W	50/60	230V	8.40	22.50	IS20	8,830.99
SCE-AC8500B460VSS6	8500	1500 W	50/60	460V	4.20	11.20	IS20	9,390.99



AIR CONDITIONER PRODUCT CODE P1								
Catalog No.	BTU 95°F @ 95°F	Enclosure Heating Capacity (W)	Hz	Voltage	Line Amps	Startup Amps	Industry Standard	List Price

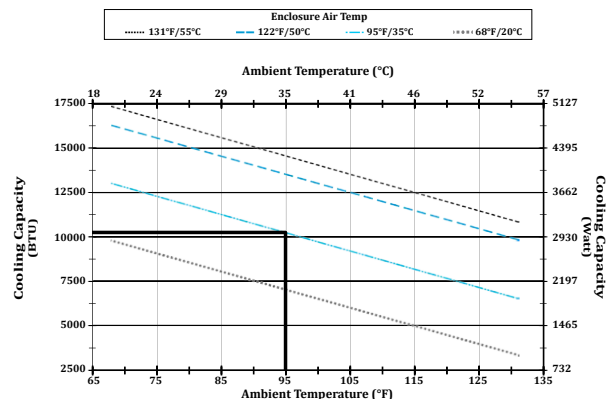
SCE-AC10200B230V	10200	1500 W	50/60	230V	7.00	60.00	IS19	5,831.25
SCE-AC10200B460V3	10200	1500 W	50/60	380 / 460V (3~)	3.50	30.00	IS19	6,462.50

Stainless Steel Type 304

SCE-AC10200B230VSS	10200	1500 W	50/60	230V	7.00	60.00	IS20	8,265.63
SCE-AC10200B460V3SS	10200	1500 W	50/60	380 / 460V (3~)	3.50	30.00	IS20	8,925.00

Stainless Steel Type 316

SCE-AC10200B230VSS6	10200	1500 W	50/60	230V	7.00	60.00	IS20	10,179.30
SCE-AC10200B460V3SS6	10200	1500 W	50/60	380 / 460V (3~)	3.50	30.00	IS20	10,890.11



1 Operator System Enclosures
 2 Wall-Mount Enclosures
 3 Free-Standing & Floor-Mounted Enclosures
 4 Modular Enclosures
 5 Operator System Enclosures (Stainless Steel)
 6 Wall-Mount Enclosures (Stainless Steel)
 7 Free-Standing & Floor-Mounted Enclosures (Stainless Steel)
 8 Non-Metallic Enclosures
 9 Enviro-Therm® Thermal Management
 10 Technical Information
 11 Index

AIR CONDITIONER PRODUCT CODE P1

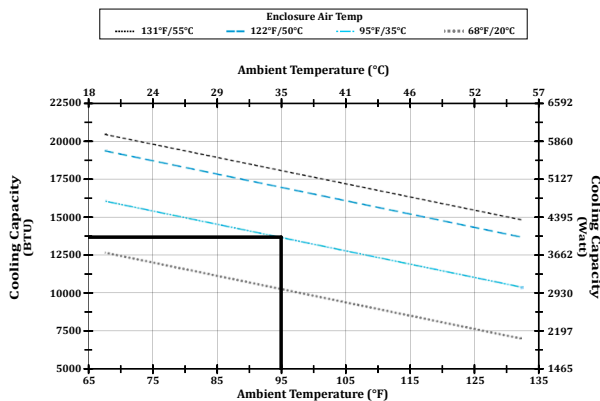
Catalog No.	BTU 95°F @ 95°F	Enclosure Heating Capacity (W)	Hz	Voltage	Line Amps	Startup Amps	Industry Standard	List Price
SCE-AC13650B230V	13650	2000 W	50/60	230V	8.30	50.00	IS19	6,268.75
SCE-AC13650B460V3	13650	2000 W	50/60	460V (3~)	5.60	25.00	IS19	7,309.38

Stainless Steel Type 304

SCE-AC13650B230VSS	13650	2000 W	50/60	230V	8.30	50.00	IS20	9,059.38
SCE-AC13650B460V3SS	13650	2000 W	50/60	460V (3~)	5.60	25.00	IS20	10,168.75

Stainless Steel Type 316

SCE-AC13650B230VSS6	13650	2000 W	50/60	230V	8.30	50.00	IS20	11,037.13
SCE-AC13650B460V3SS6	13650	2000 W	50/60	460V (3~)	5.60	25.00	IS20	12,235.73



ENVIRO-THERM® THERMAL MANAGEMENT

Air Conditioners

Enviro-Therm® Air Conditioners are designed with an internal closed loop system to provide protection from dust, oil and water. For indoor and outdoor application. Rugged, energy efficient, and reliable cooling system. For more details and Installation Information, consult our Installation Manual at www.saginawcontrol.com.

Construction -

- Heavy gauge steel/stainless steel.
- Internal components are corrosion resistant.
- Coils are designed as filterless units, fin spacing and hydrophobic Nano coating to help reduce chance of clogging.
- Washable, Reusable 8 layer aluminum mesh filters included.
- Captive screw fastened filter cover.
- Compressor Heater.
- Enclosure Heater for low ambient temperatures.
- Easy Mounting Flange hangers for installation included.
- High temp alarm.
- High performance ball bearing fans.
- Door activated switch wiring provisions .
- Cage clamp terminal connector.
- Oil and water resistant gaskets installed.

Electrical -

- cULus
- CE
- Surge protected and EMI compliant - IEC61000 and CE requirement

Finish -

Powder coated steel cover RAL 7035 River Texture over Aluzinc coated steel.
SS units: #4 brushed finish 304 Stainless Steel cover and frame.
SS6 units: #4 brushed finish 316 Stainless Steel cover.

IS19 - Industry Standards -

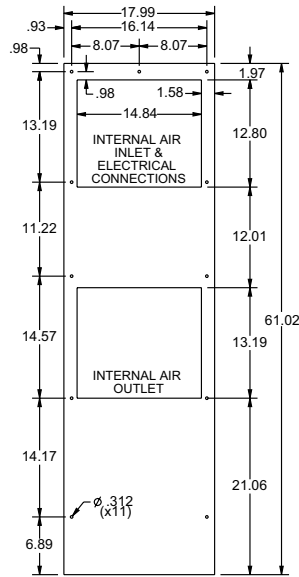
UL Recognized Type 3, 3R, 4 & 12
IEC 60529 IP56

IS20 - Industry Standards -

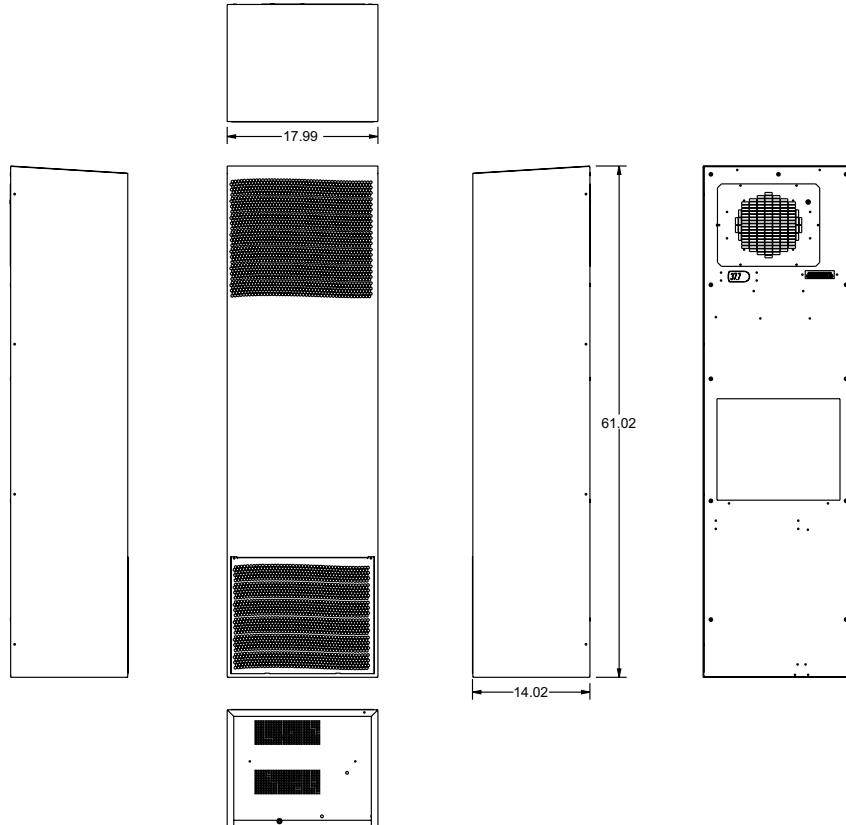
UL Recognized Type 3, 3R, 4, 4X & 12
IEC 60529 IP56



ENVIRO-THERM® AIR CONDITIONERS TECHNICAL DATA



MOUNTING PATTERN



Phone (989) 799-6871
Fax (989) 799-4524



- 1 Operator System Enclosures
- 2 Wall-Mount Enclosures
- 3 Free-Standing & Floor-Mounted Enclosures
- 4 Modular Enclosures
- 5 Operator System Enclosures (Stainless Steel)
- 6 Wall-Mount Enclosures (Stainless Steel)
- 7 Free-Standing & Floor-Mounted Enclosures (Stainless Steel)
- 8 Non-Metallic Enclosures
- 9 Enviro-Therm® Thermal Management
- 10 Technical Information
- 11 Index

ENVIRO-THERM® AIR CONDITIONERS

Powder coated steel cover RAL 7035 River Texture over Aluzinc coated steel

Type 4X units have #4 brushed finish 304 Stainless Steel cover and frame

Internal components are corrosion resistant

Closed Loop Cooling System

Hermetically sealed Reciprocating Compressor on units up to 5,100 BTU/hr

Hermetically sealed Rotary Compressor on units greater than 5,100 BTU/hr

Specially designed Active Condensate System using PTC heater element

Coils are designed as filterless units, fin spacing and Hydrophobic Nano Coating to help reduce chance of clogging

Washable, Reusable 8 layer aluminum mesh filters included

Captive screw fastened filter cover

Integrated compressor heater for low ambient temperatures and up to 2000 watts of enclosure heat

R134a Refrigerant – Chlorine-free and harmless to the environment

Easy Mounting Flange hangers for installation included

Digital Touchpad Programmable Controller, viewable and accessible from inside enclosure

Controller preset 95°F to cool – adjustable 68°F to 122°F

Preset at 41°F to heat – adjustable -4°F to 122°F

Temperature differential hysteresis 5.4°F

High temp alarm preset 131°F

High performance ball bearing fans

Door activated switch wiring provisions provided for easy installation

Cage clamp terminal connector

Oil and water resistant gaskets installed

NOTES

- 11 Index
- 10 Technical Information
- 9 Enviro-Therm® Thermal Management
- 8 Non-Metallic Enclosures
- 7 Free-Standing & Floor-Mounted Enclosures (Stainless Steel)
- 6 Wall-Mount Enclosures (Stainless Steel)
- 5 Operator System Enclosures (Stainless Steel)
- 4 Modular Enclosures
- 3 Free-Standing & Floor-Mounted Enclosures
- 2 Wall-Mount Enclosures
- 1 Operator System Enclosures

Phone (989) 799-6871
 Fax (989) 799-4524



NOTES



Phone (989) 799-6871
Fax (989) 799-4524

- 1 Operator System Enclosures
- 2 Wall-Mount Enclosures
- 3 Free-Standing & Floor-Mounted Enclosures
- 4 Modular Enclosures
- 5 Operator System Enclosures (Stainless Steel)
- 6 Wall-Mount Enclosures (Stainless Steel)
- 7 Free-Standing & Floor-Mounted Enclosures (Stainless Steel)
- 8 Non-Metallic Enclosures
- 9 Enviro-Therm® Thermal Management
- 10 Technical Information
- 11 Index

ENVIRO-THERM® THERMAL MANAGEMENT

Thermoelectric Coolers

Enviro-Therm® Thermoelectric Coolers also known as Peltier units. Designed with an internal closed loop system, Thermoelectric coolers have very few moving parts and no piping, leaving less room for failure. The compact design is great for small enclosures. For indoor and outdoor applications. Protects from dust, oil and water. Rugged, energy efficient, and reliable cooling system minimizing downtime. For more details and Installation Information, consult our Installation Manual at www.saginawcontrol.com.

Construction -

- Heavy gauge stainless steel.
- DC Powered for 24V applications.
- Mount vertically or horizontally.
- Filterless design reduces maintenance requirements.
- Contains no compressor or refrigerant, making it earth friendly.
- Pre-wired with simple terminal block for easy wiring connections.
- Operates on the Peltier effect for cooling or heating.
- Terminal block connection.
- Operating temperature range from -4°F to 149°F.

Electrical -

- cULus Listed
- CE

Finish -

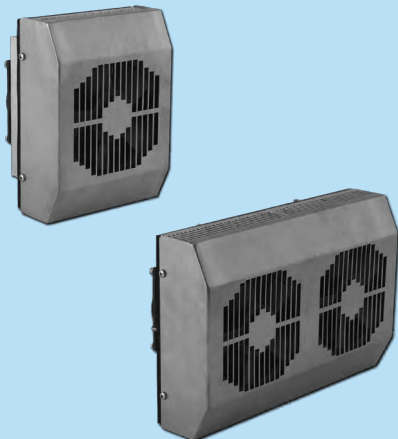
#4 brushed finish 304 Stainless Steel

Accessories -

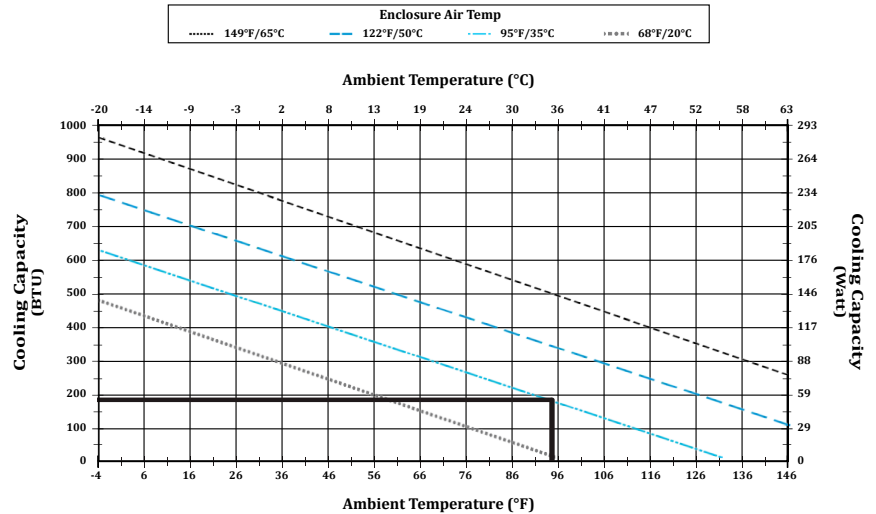
Electronic variable temperature thermostat
SCE-TEMEVDC

IS20 - Industry Standards -

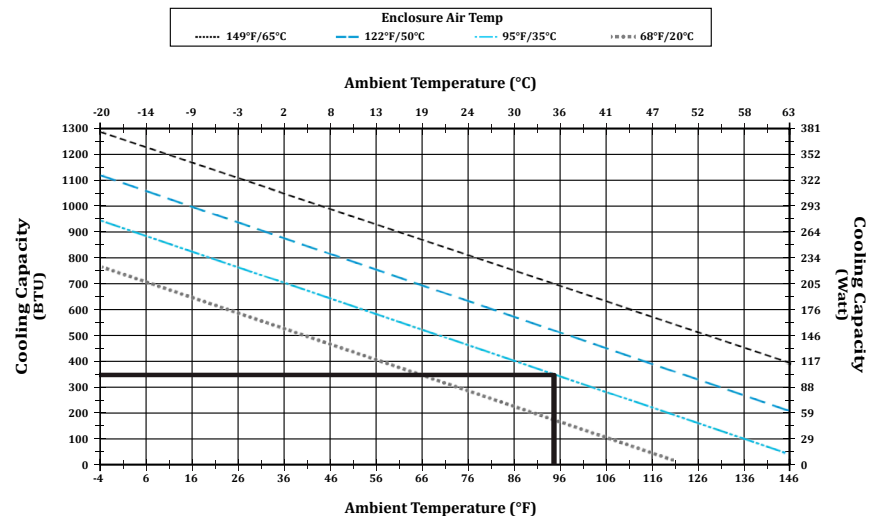
UL Recognized Type 3, 3R, 4, 4X & 12
IEC 60529 IP56



Catalog No.	Height (A)	Width (B)	Depth (C)	BTU 95°F @ 95°F	Voltage	Line Amps	Startup Amps	List Price
SCE-TE170B24VSS	8.11	6.06	5.32	170	24 VDC	2.4	3.7	1,020.50



Catalog No.	Height (A)	Width (B)	Depth (C)	BTU 95°F @ 95°F	Voltage	Line Amps	Startup Amps	List Price
SCE-TE340B24VSS	7.87	11.97	5.43	340	24 VDC	4.8	7.4	1,794.00

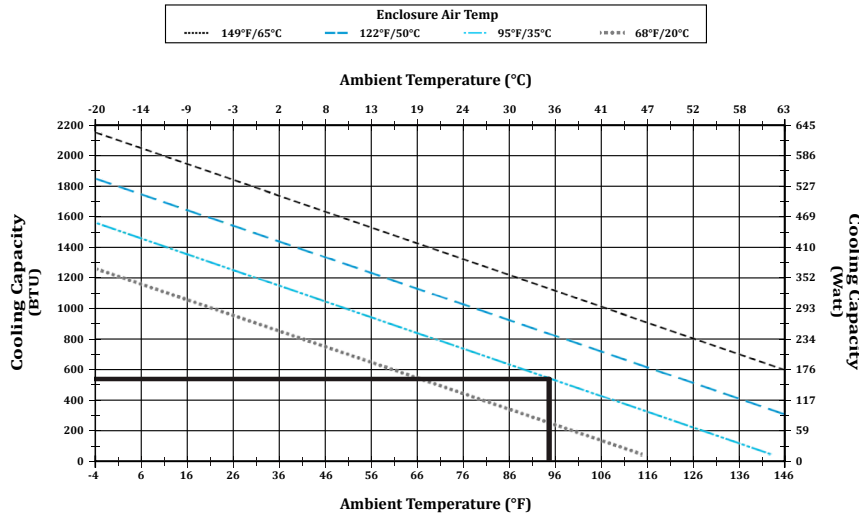


Phone (989) 799-6871
Fax (989) 799-4524

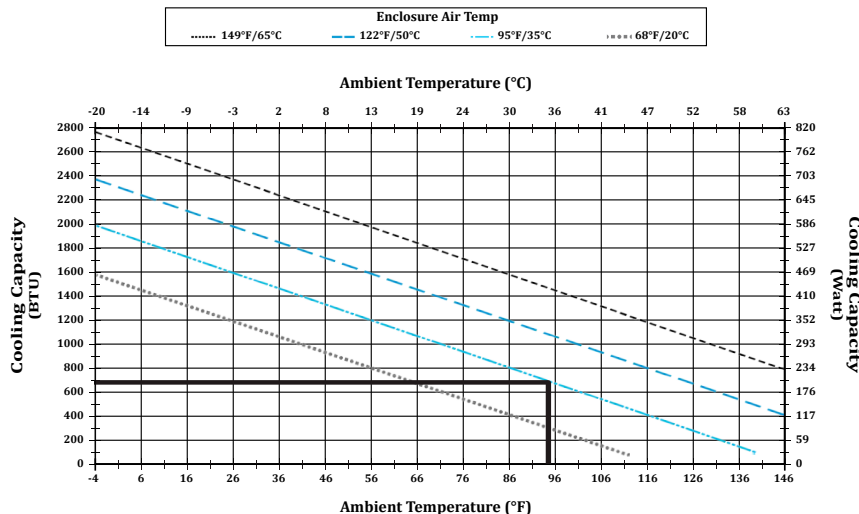


1 Operator System Enclosures
 2 Wall-Mount Enclosures
 3 Free-Standing & Floor-Mounted Enclosures
 4 Modular Enclosures
 5 Operator System Enclosures (Stainless Steel)
 6 Wall-Mount Enclosures (Stainless Steel)
 7 Free-Standing & Floor-Mounted Enclosures (Stainless Steel)
 8 Non-Metallic Enclosures
 9 Enviro-Therm® Thermal Management
 10 Technical Information
 11 Index

Catalog No.	Height (A)	Width (B)	Depth (C)	BTU		Line Amps	Startup Amps	List Price
				95°F @ 95°F	Voltage			
SCE-TE510B24VSS	15.75	7.09	6.73	510	24 VDC	7.0	11.0	2,340.00



Catalog No.	Height (A)	Width (B)	Depth (C)	BTU		Line Amps	Startup Amps	List Price
				95°F @ 95°F	Voltage			
SCE-TE680B24VSS	15.75	7.09	6.73	680	24 VDC	10.8	17.0	2,632.50



ENVIRO-THERM® THERMAL MANAGEMENT

Thermoelectric Coolers

Enviro-Therm® Thermoelectric Coolers also known as Peltier units. Designed with an internal closed loop system, Thermoelectric coolers have very few moving parts and no piping, leaving less room for failure. The compact design is great for small enclosures. For indoor and outdoor applications. Protects from dust, oil and water. Rugged, energy efficient, and reliable cooling system minimizing downtime. For more details and Installation Information, consult our Installation Manual at www.saginawcontrol.com.

Construction -

- Heavy gauge stainless steel.
- DC Powered for 24V applications.
- Mount vertically or horizontally.
- Filterless design reduces maintenance requirements.
- Contains no compressor or refrigerant, making it earth friendly.
- Pre-wired with simple terminal block for easy wiring connections.
- Operates on the Peltier effect for cooling or heating.
- Terminal block connection.
- Operating temperature range from -4°F to 149°F.

Electrical -

- cULus Listed
- CE

Finish -

#4 brushed finish 304 Stainless Steel

Accessories -

Electronic variable temperature thermostat
SCE-TEMEVDC

IS20 - Industry Standards -

UL Recognized Type 3, 3R, 4, 4X & 12
IEC 60529 IP56

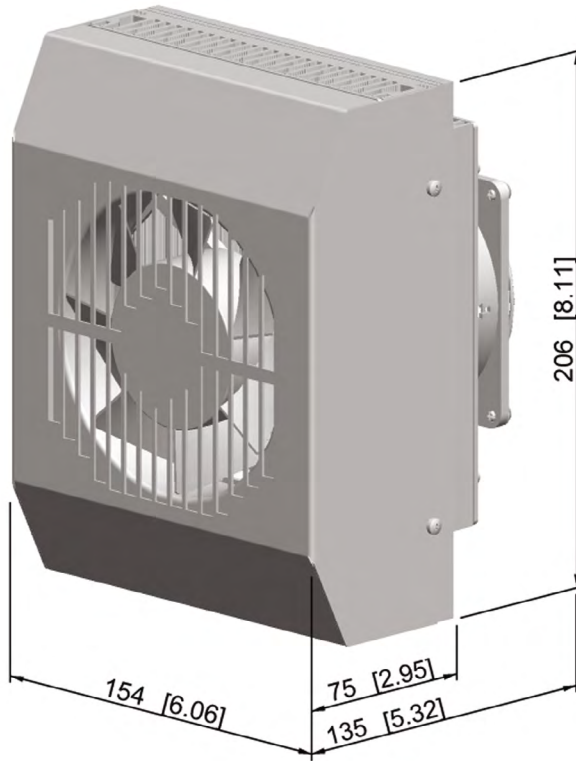


Phone (989) 799-6871
Fax (989) 799-4524

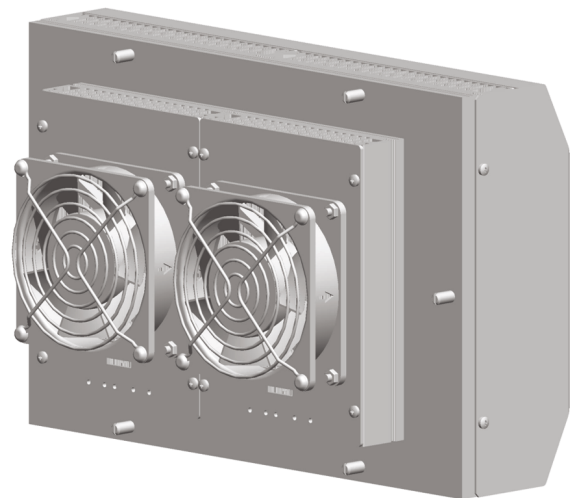
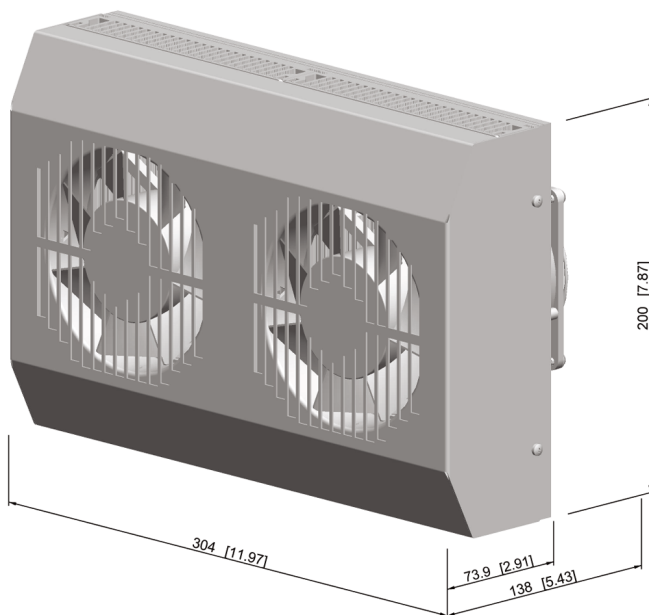
THERMOELECTRIC COOLERS

TECHNICAL DATA

SCE-TE170B24VSS

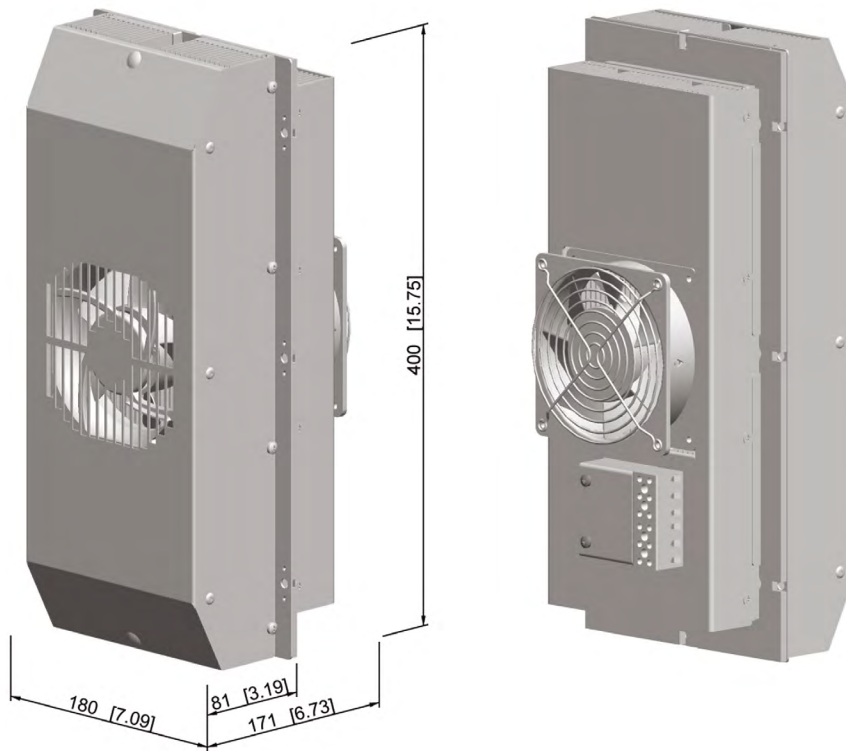


SCE-TE340B24VSS

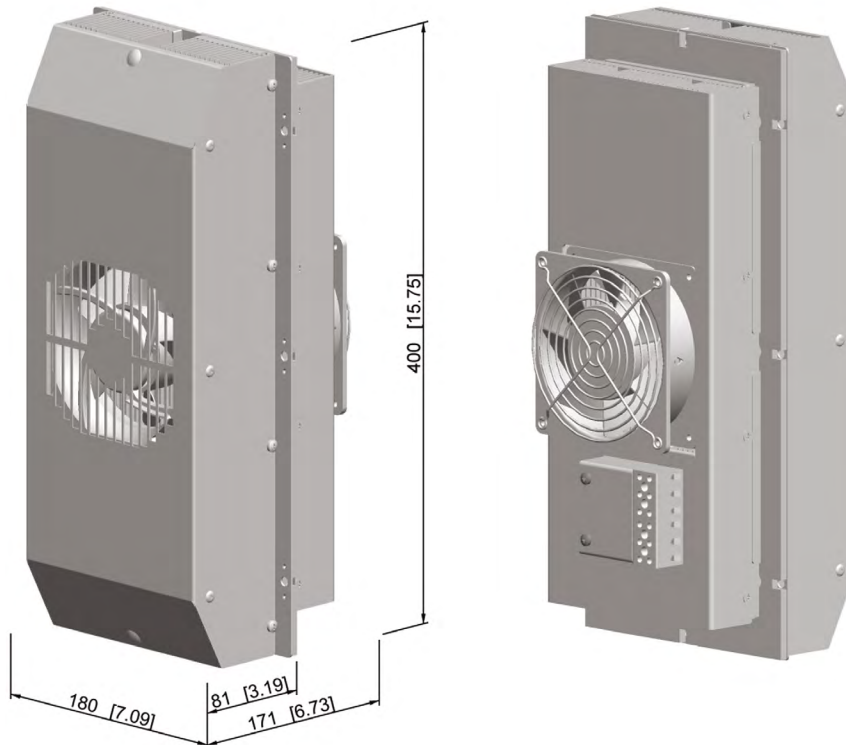


THERMOELECTRIC COOLERS TECHNICAL DATA

SCE-TE510B24VSS



SCE-TE680B24VSS



NOTES

- 11 Index
- 10 Technical Information
- 9 Enviro-Therm® Thermal Management
- 8 Non-Metallic Enclosures
- 7 Free-Standing & Floor-Mounted Enclosures (Stainless Steel)
- 6 Wall-Mount Enclosures (Stainless Steel)
- 5 Operator System Enclosures (Stainless Steel)
- 4 Modular Enclosures
- 3 Free-Standing & Floor-Mounted Enclosures
- 2 Wall-Mount Enclosures
- 1 Operator System Enclosures

Phone (989) 799-6871
 Fax (989) 799-4524



NOTES



Your Enclosure Source®

Phone (989) 799-6871
Fax (989) 799-4524

- 1 Operator System Enclosures
- 2 Wall-Mount Enclosures
- 3 Free-Standing & Floor-Mounted Enclosures
- 4 Modular Enclosures
- 5 Operator System Enclosures (Stainless Steel)
- 6 Wall-Mount Enclosures (Stainless Steel)
- 7 Free-Standing & Floor-Mounted Enclosures (Stainless Steel)
- 8 Non-Metallic Enclosures
- 9 Enviro-Therm® Thermal Management
- 10 Technical Information
- 11 Index

ENVIRO-THERM® THERMAL MANAGEMENT

Heat Exchangers

Enviro-Therm® Heat Exchangers are designed for High-Efficiency and High-Performance Air-to-Air Heat Transfer. Designed with an internal closed loop system to provide protection from dust, oil and water. For indoor and outdoor application. Rugged, energy efficient, and reliable cooling system. For more details and Installation Information, consult our Installation Manual at www.saginawcontrol.com.

Construction -

- Powder coated steel Cover RAL 7035 River Texture over Aluzinc coated steel.
- Aluzinc coated steel internal parts.
- Counter-flow core.
- Filter-less design – low maintenance Counterflow heat exchangers are finless, reducing the chances of clogging, and are easy to clean.
- Threaded mounting studs provided for simple installation.
- Digital Touchpad Programmable Controller.
- Controller preset 95°F to cool – adjustable 68°F to 122°F.
- Temperature differential hysteresis 5.4°F.
- High temp alarm preset 131°F.
- High performance ball bearing fans.
- Door activated switch wiring provisions provided for easy installation.
- Cage clamp terminal connector.

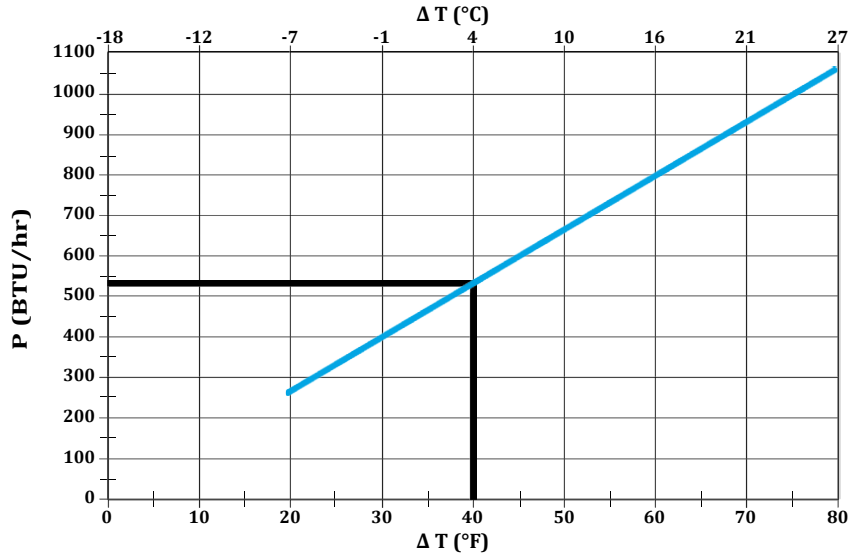
Electrical -

- Frequency: 50/60 Hz
- cULus Listed
- CE
- Surge protected and EMI compliant - IEC61000 and CE requirement

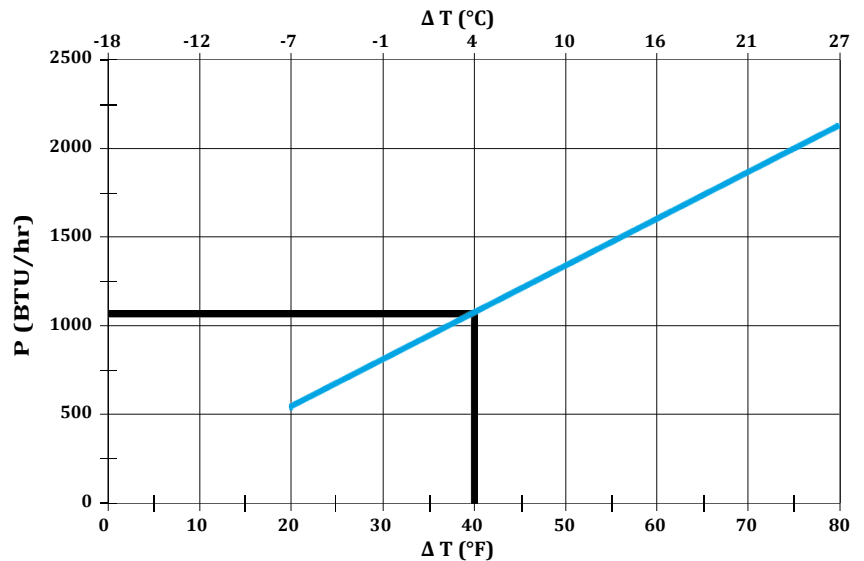
IS22 - Industry Standards -
UL Recognized Type 3R & 12
IEC 60529 IP54



Catalog No.	Height (A)	Width (B)	Depth (C)	Cooling Capacity	Voltage	Line Amps	Startup Amps	List Price
SCE-HE04W120V	20.00	7.50	5.95	4 (W/F°)	115V	0.48	0.70	1,162.50



Catalog No.	Height (A)	Width (B)	Depth (C)	Cooling Capacity	Voltage	Line Amps	Startup Amps	List Price
SCE-HE08W120V	29.50	10.00	5.95	8 (W/F°)	115V	0.48	0.70	1,525.00

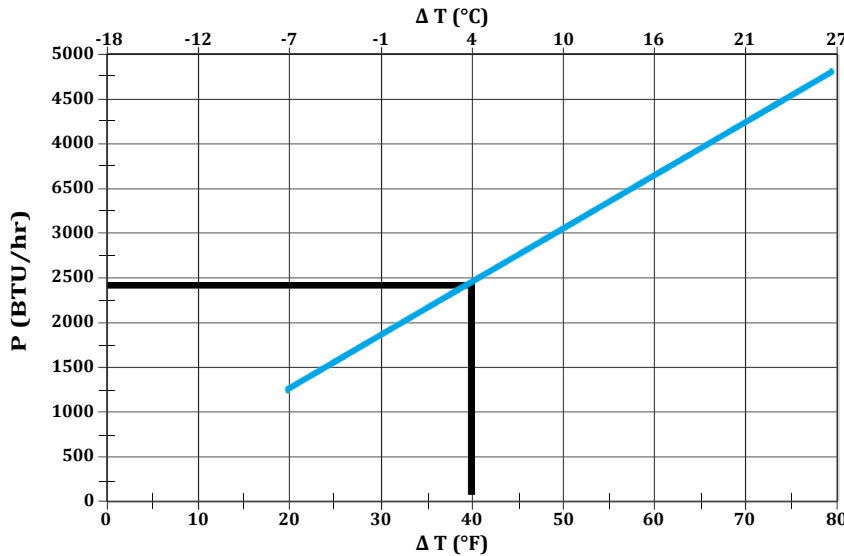


Phone (989) 799-6871
Fax (989) 799-4524

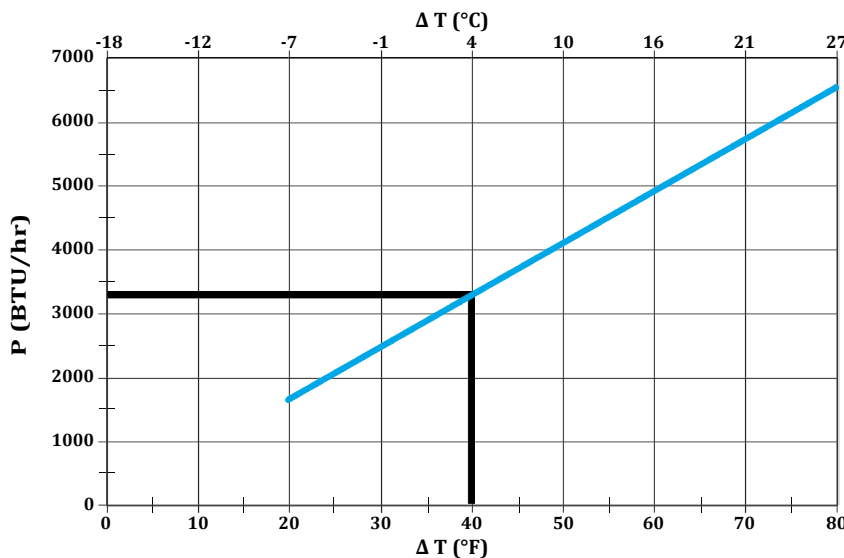


1 Operator System Enclosures
 2 Wall-Mount Enclosures
 3 Free-Standing & Floor-Mounted Enclosures
 4 Modular Enclosures
 5 Operator System Enclosures (Stainless Steel)
 6 Wall-Mount Enclosures (Stainless Steel)
 7 Free-Standing & Floor-Mounted Enclosures (Stainless Steel)
 8 Non-Metallic Enclosures
 9 Enviro-Therm® Thermal Management
 10 Technical Information
 11 Index

Catalog No.	Height (A)	Width (B)	Depth (C)	Cooling Capacity	Voltage	Line Amps	Startup Amps	List Price
SCE-HE18W120V	29.66	10.24	5.95	18 (W/F°)	115V	1.40	1.60	1,731.25



Catalog No.	Height (A)	Width (B)	Depth (C)	Cooling Capacity	Voltage	Line Amps	Startup Amps	List Price
SCE-HE24W120V	47.16	10.24	5.95	24 (W/F°)	115V	1.80	2.20	1,987.50



ENVIRO-THERM® THERMAL MANAGEMENT

Heat Exchangers

Enviro-Therm® Heat Exchangers are designed for High-Efficiency and High-Performance Air-to-Air Heat Transfer. Designed with an internal closed loop system to provide protection from dust, oil and water. For indoor and outdoor application. Rugged, energy efficient, and reliable cooling system. For more details and Installation Information, consult our Installation Manual at www.saginawcontrol.com.

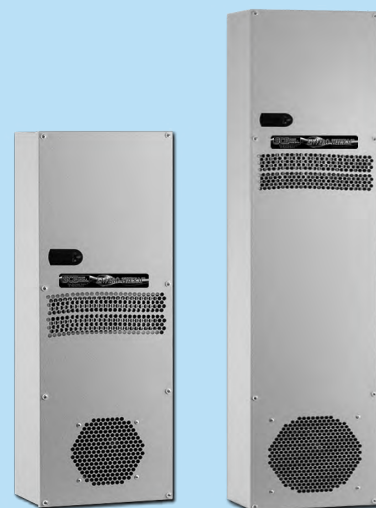
Construction -

- Powder coated steel Cover RAL 7035 River Texture over Aluzinc coated steel.
- Aluzinc coated steel internal parts.
- Counter-flow Core.
- Filter-less design, low maintenance Counterflow heat exchangers are finless, reducing the chances of clogging, and easy to clean.
- Threaded mounting studs provided for simple installation.
- Digital Touchpad Programmable Controller.
- Controller preset 95°F to cool – adjustable 68°F to 122°F.
- Temperature differential hysteresis 5.4°F.
- High temp alarm preset 131°F.
- High performance ball bearing fans.
- Door activated switch wiring provisions provided for easy installation.
- Cage clamp terminal connector.

Electrical -

- Frequency: 50/60 Hz
- cULus Listed
- CE
- Surge protected and EMI compliant - IEC61000 and CE requirement

IS22 - Industry Standards -
UL Recognized Type 3R & 12
IEC 60529 IP54

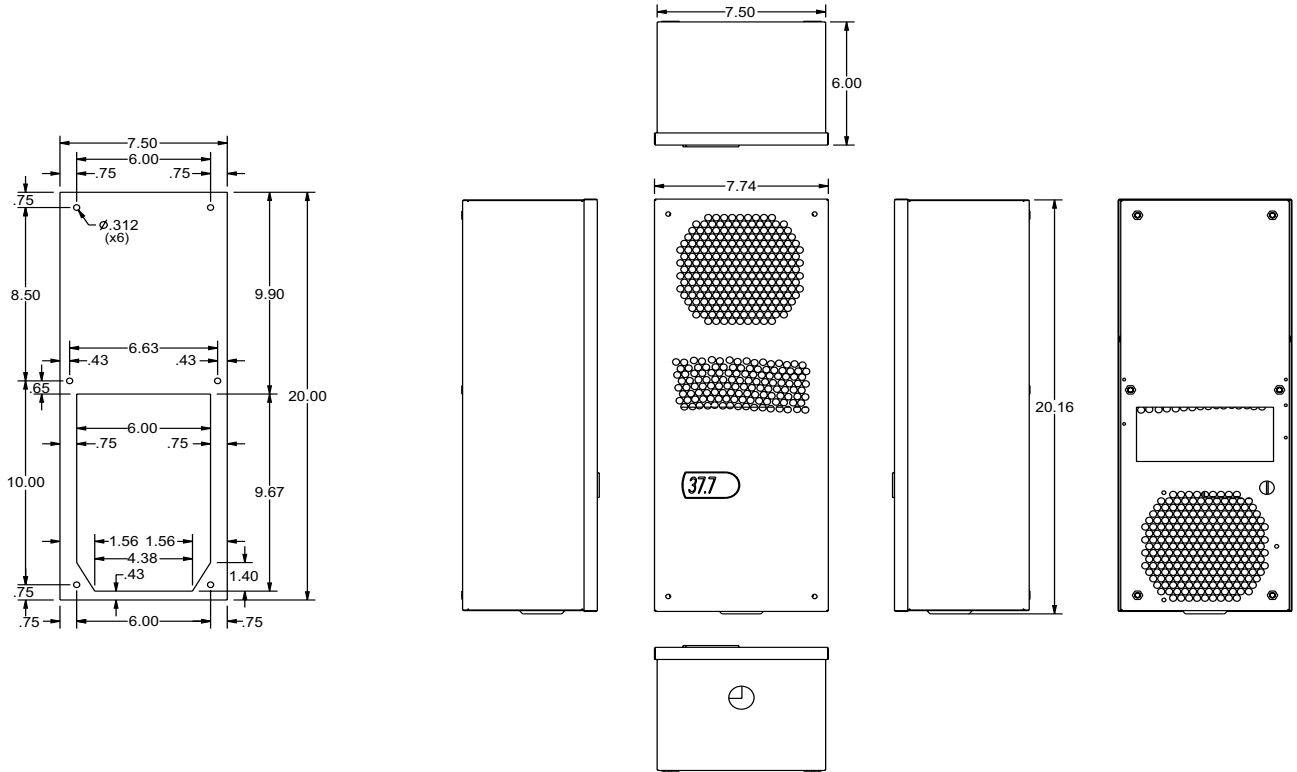


Phone (989) 799-6871
Fax (989) 799-4524

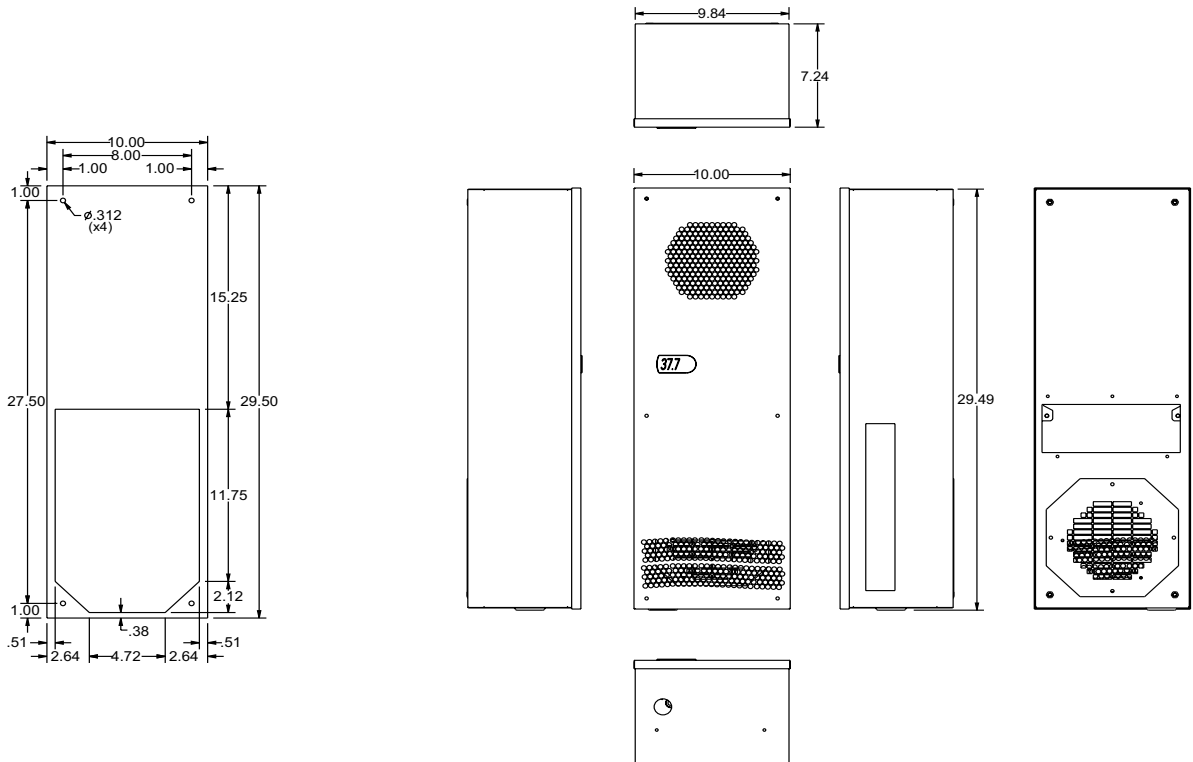
1 Operator System Enclosures
 2 Wall-Mount Enclosures
 3 Free-Standing & Floor-Mounted Enclosures
 4 Modular Enclosures
 5 Operator System Enclosures (Stainless Steel)
 6 Wall-Mount Enclosures (Stainless Steel)
 7 Free-Standing & Floor-Mounted Enclosures (Stainless Steel)
 8 Non-Metallic Enclosures
 9 Enviro-Therm® Thermal Management
 10 Technical Information
 11 Index

ENVIRO-THERM® HEAT EXCHANGERS TECHNICAL DATA

SCE-HE04W120V



SCE-HE08W120V

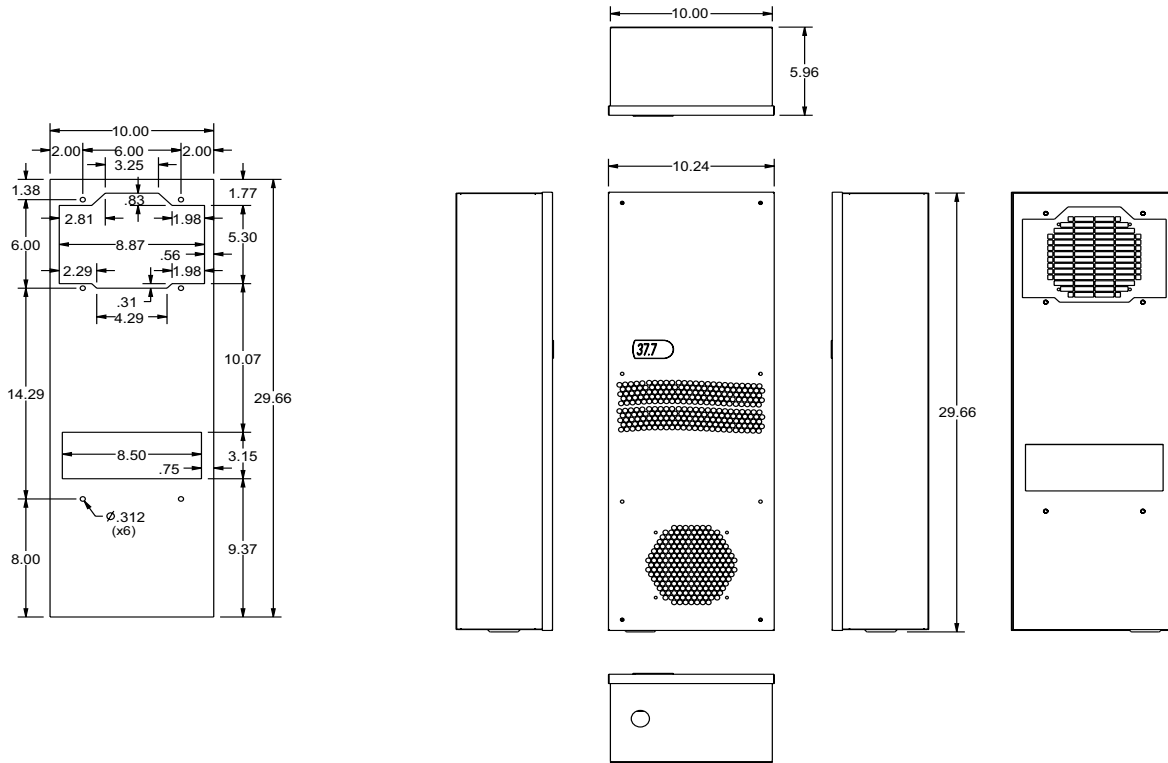


1 Operator System Enclosures
 2 Wall-Mount Enclosures
 3 Free-Standing & Floor-Mounted Enclosures
 4 Modular Enclosures
 5 Operator System Enclosures (Stainless Steel)
 6 Wall-Mount Enclosures (Stainless Steel)
 7 Free-Standing & Floor-Mounted Enclosures (Stainless Steel)
 8 Non-Metallic Enclosures
 9 Enviro-Therm® Thermal Management
 10 Technical Information
 11 Index

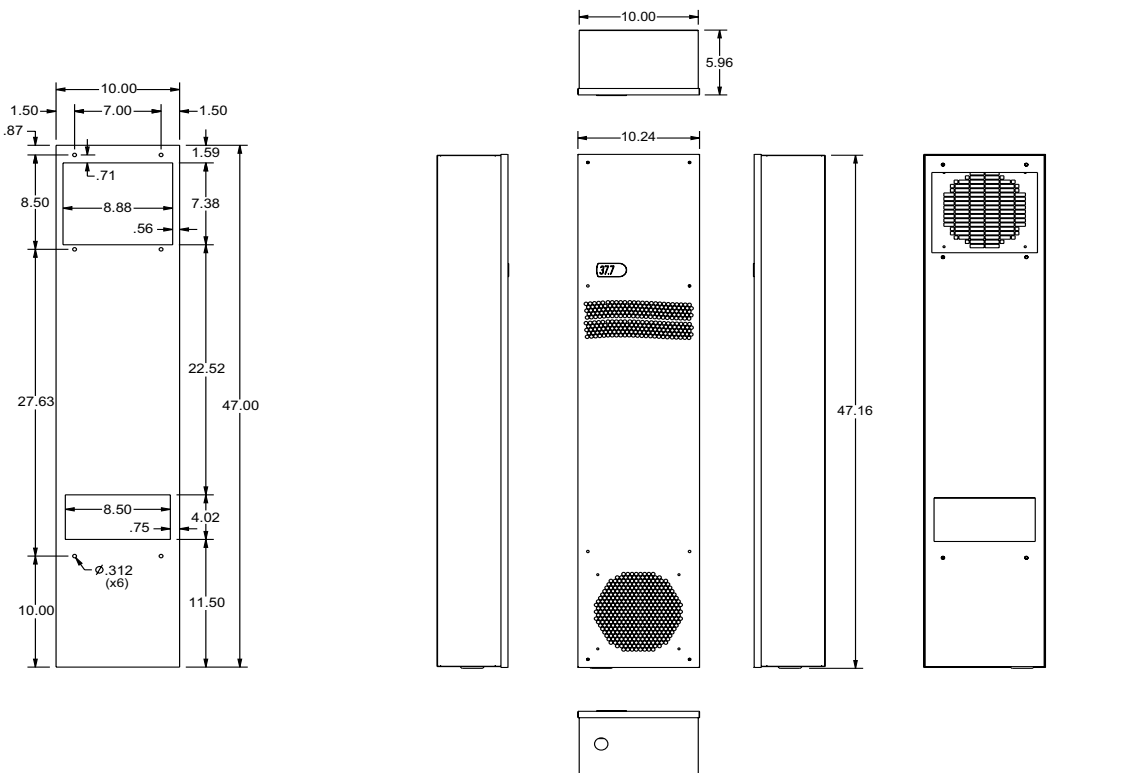
ENVIRO-THERM® HEAT EXCHANGERS

TECHNICAL DATA

SCE-HE18W120V



SCE-HE24W120V



ENVIRO-THERM® THERMAL MANAGEMENT

Thermostat

Designed to regulate air temperature in enclosures that operate with heaters or fans. This mechanical bi-metallic thermostat has a set point range of 30° to 140°F and is easily installed on 35 mm mounting rail. (NC) Contact normally closed, or (NO) Contact normally open, switch capacity 10 amp 120-250 VAC Resistive load and 1 amp 120-250V AC Inductive load, 1.25 amp 24V DC.

IS24 - Industry Standards

UL Component Recognized

Dual Thermostat

Designed to regulate air temperature in enclosures that operate with heaters and fans. This mechanical bi-metallic thermostat has a set point range of 30° to 140°F and is easily installed on 35 mm mounting rail. Dual functions as (NC) contact normally closed, or (NO) contact normally open, switch capacity 10 amp 120-250 VAC Resistive load and 1 amp 120-250V AC Inductive load, 1.25 amp 24V DC.

IS24 - Industry Standards

UL Component Recognized

Changeover Thermostat

Designed to regulate air temperature in enclosures, can operate with heaters, fans or warning lights. Used to switch from heating to cooling. Switches one common contact immediately from one state (NC) to the other (NO) and vice versa. Has a set point range of 32°F to 140°F.

IS24 - Industry Standards

UL Component Recognized

Electronic Thermostat 24VDC

Designed to regulate air temperature in enclosures and operate with the Thermoelectric Coolers. This electronic thermostat has a set point range of 14° to 176°F and is easily installed on 35 mm mounting rail. 24V DC 16A.

IS24 - Industry Standards

UL Component Recognized

Catalog No.	Used With	Height (A)	Width (B)	Depth (C)	Contact	Product Code	List Price
SCE-TEMNC	Heater	2.40	1.26	1.42	NC	P1	50.05
SCE-TEMNO	Fan	2.40	1.26	1.42	NO	P1	50.05



Catalog No.	Used With	Height (A)	Width (B)	Depth (C)	Contact	Product Code	List Price
SCE-TEM2	Heater & Fan	2.00	2.00	2.00	NC & NO	P1	82.55



Catalog No.	Used With	Height (A)	Width (B)	Depth (C)	Contact	Product Code	List Price
SCE-CTEM	Heater, Fan, Light	2.36	1.54	2.10	NC & NO	P1	140.40



Catalog No.	Used With	Height (A)	Width (B)	Depth (C)	Product Code	List Price
SCE-TEMEVDC	Thermoelectric Coolers	2.36	1.54	1.53	P1	188.50



1 Operator System Enclosures
2 Wall-Mount Enclosures
3 Free-Standing & Floor-Mounted Enclosures
4 Modular Enclosures
5 Operator System Enclosures (Stainless Steel)
6 Wall-Mount Enclosures (Stainless Steel)
7 Free-Standing & Floor-Mounted Enclosures (Stainless Steel)
8 Non-Metallic Enclosures
9 Enviro-Therm® Thermal Management
10 Technical Information
11 Index

Catalog No.	Used With	Height (A)	Width (B)	Depth (C)	Product Code	List Price
SCE-HYGRO	Heater, Fan, Light	3.00	2.00	2.00	P1	286.00



ENVIRO-THERM® THERMAL MANAGEMENT

Mechanical Hygostat

Designed to regulate relative air humidity in enclosures. Mechanical hygrostats can operate with heaters, fans, or warning lights. Adjustable set point range of 40% to 90% humidity, maximum switch capacity 250V AC.

IS24 - Industry Standards
UL Component Recognized

Catalog No.	Height (A)	Width (B)	Depth (C)	Product Code	List Price
SCE-BVK	2.75	2.00	1.50	P2	20.75

Front View



Rear View



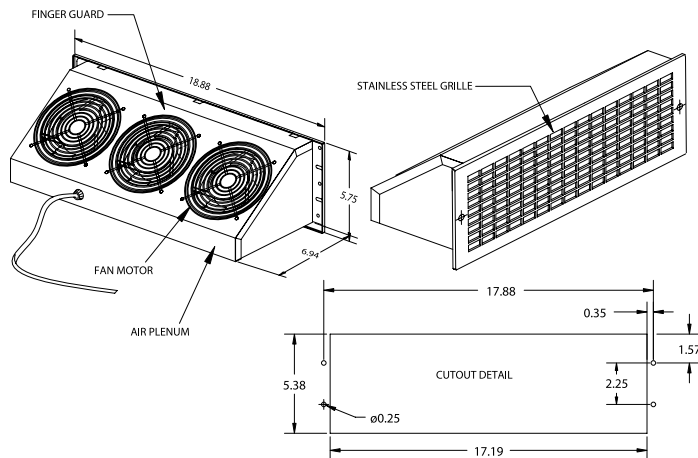
Breather Vent

Designed for indoor or outdoor applications to handle the large negative pressure differential caused in a tightly sealed enclosure in extreme weather conditions or wash down applications that draw water into the enclosure. Adding a Breather Vent will equalize this pressure differential. Installed on the side of your enclosure as a breather or installed on the bottom as a drain and vent.

Made of corrosion and UV resistant Polycarbonate material.

UL Recognized 1, 2, 3, 3R, 3RX, 3S, 4, 4X & 12

Catalog No.	Height (A)	Width (B)	Depth (C)	CFM	Product Code	List Price
SCE-BP115	5.75	18.88	6.95	190/230	P1	743.75
SCE-BP230	5.75	18.88	6.95	190/230	P1	743.75



Blower Package

Designed for use in enclosures that require cooling but have limited space. Consists of a washable aluminum air filter, steel air plenum, removable stainless steel grille. Grille has captivated thumb nuts for easy access to the filter from the outside. Fan is 115 or 230 volt AC 50/60 Hertz (Hz). The 125 degree angled design provides greater air movement within the enclosure. Air plenum is ANSI 61 gray powder coated. UL listed motor.

IS24 - Industry Standards
UL Component Recognized

Catalog No.	Height (A)	Width (B)	Depth (C)	Product Code	List Price
SCE-FGABP	5.75	18.88	0.22	P1	156.48

Blower Package (Filter and Grille)

Designed for use with SCE Fan Packages and Filter and Grille Package. Aluminum washable filters provide good air filtration.

ENVIRO-THERM® THERMAL MANAGEMENT

Type 12 Fans & Filters - Black

Easy to install snap fit design for use in enclosures that require cooling but have limited space in NEMA 1 and 12 applications. Housing and grill are made of black heat resistant (ABS-FR), self-extinguishing material. Fans are available in 115, 230 or 460 volt AC, 50/60 Hertz (Hz) single phase or 24 volt DC.

UL Recognized Type 12

Type 12 Exhaust Filters - Black

Easy to install snap fit design for use on air discharge side of cooling fan package for Type 1 & 12 applications. Housing and grille are made of black heat resistant (ABS-FR), self-extinguishing material with a Type 12 filter.

UL Recognized Type 12

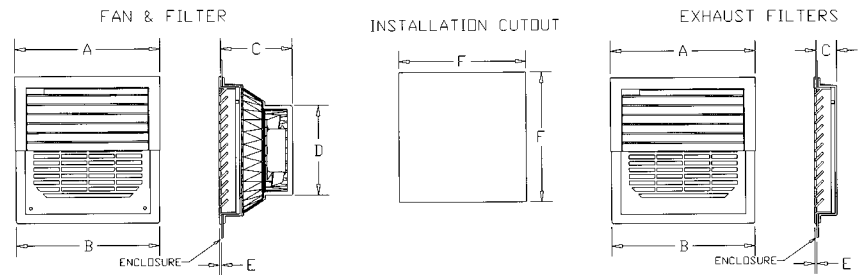
Rain Hood with Access Cover

Designed for use with Type 12 fan and filter kits to prevent rain, sleet, snow, dropping water or fluids from being drawn into the enclosure. Removable cover for easy access to fan and filter kits. Made of heavy gauge galvanized steel and powder coated ANSI-61 gray. "SS" kits are made of Type 304 stainless steel with #4 brushed finish. UL Recognized. For installation information, please consult our Installation Manual at www.saginawcontrol.com.

Note: Fan and Filter Kit are sold separately.

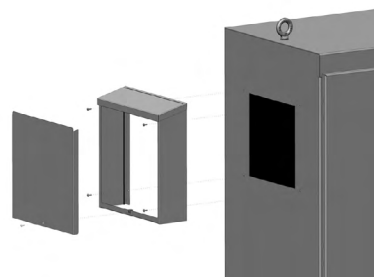
UL Recognized Type 3R

Catalog No.	Height (A)	Width (B)	Depth (C)	CFM	Cutout Size (F)	Product Code	List Price
SCE-N12FA44	5.91	5.91	2.88	26/29	5.03 sq.	P1	166.07
SCE-N12FA66	9.84	9.84	4.91	135/159	8.91 sq.	P1	233.04
SCE-N12FA1010	12.80	12.80	6.30	306/341	11.57 sq.	P1	578.57
SCE-N12FA44-230	5.91	5.91	2.88	39/47	5.03 sq.	P1	358.93
SCE-N12FA66-230	9.84	9.84	4.40	135/159	8.91 sq.	P1	364.29
SCE-N12FA1010-230	12.80	12.80	6.30	306/341	11.57 sq.	P1	792.86
SCE-N12FA44-24VDC	5.91	5.91	2.88	28	5.03 sq.	P1	347.69
SCE-N12FA66-24VDC	9.84	9.84	4.40	86	8.91 sq.	P1	530.36
SCE-N12FA10HF	12.80	12.80	6.24	483/547	11.45 sq.	P1	845.68
SCE-N12FA10HF-230	12.80	12.80	6.27	483/547	11.45 sq.	P1	845.68
SCE-N12FA10HF-460	12.80	12.80	6.24	483/547	11.45 sq.	P1	1,080.05



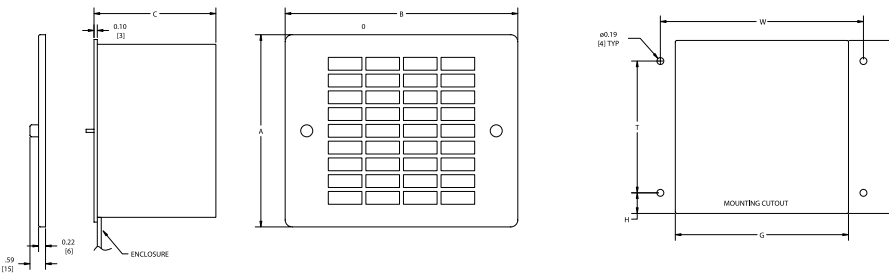
Catalog No.	Height (A)	Width (B)	Depth (C)	Cutout Size (F)	Product Code	List Price
SCE-N12FGA44	5.91	5.91	1.15	5.03 Sq.	P1	53.57
SCE-N12FGA66	9.84	9.84	1.33	8.91 Sq.	P1	71.43
SCE-N12FGA1010	12.80	12.80	1.34	11.57 Sq.	P1	89.29

Catalog No.	Height (A)	Width (B)	Depth (C)	Product Code	List Price
SCE-RH4N12	9.44	8.25	4.50	P1	76.67
SCE-RH6N12	13.44	12.25	4.50	P1	81.79
SCE-RH10N12	16.44	15.25	4.50	P1	92.02
Stainless Steel					
SCE-RH4N12SS	9.44	8.25	4.50	P1	107.33
SCE-RH6N12SS	13.44	12.25	4.50	P1	114.48
SCE-RH10N12SS	16.44	15.25	4.50	P1	128.81



1 Operator System Enclosures
 2 Wall-Mount Enclosures
 3 Free-Standing & Floor-Mounted Enclosures
 4 Modular Enclosures
 5 Operator System Enclosures (Stainless Steel)
 6 Wall-Mount Enclosures (Stainless Steel)
 7 Free-Standing & Floor-Mounted Enclosures (Stainless Steel)
 8 Non-Metallic Enclosures
 9 Enviro-Therm® Thermal Management
 10 Technical Information
 11 Index

Catalog No.	Height (A)	Width (B)	Depth (C)	Cutout Size (F)	Cutout Size (G)	CFM	Product Code	List Price
SCE-FA44	6.11	7.38	3.28	5.66	5.91	63/75	P1	225.02
SCE-FA66	7.61	8.88	3.75	7.16	7.41	135/158	P1	400.48
SCE-FA1010	11.62	12.88	5.25	11.16	11.41	400/440	P1	533.98
SCE-FA44-230	6.11	7.38	3.28	5.66	5.91	63/75	P1	268.64
SCE-FA66-230	7.61	8.88	3.75	7.16	7.41	135/158	P1	440.52
SCE-FA1010-230	11.62	12.88	5.25	11.16	11.41	400/440	P1	587.36
SCE-FA66-24VDC	7.61	8.88	3.75	7.16	7.41	155	P1	557.52
SCE-FA1010-24VDC	11.62	12.88	5.25	11.16	11.41	425	P1	754.50



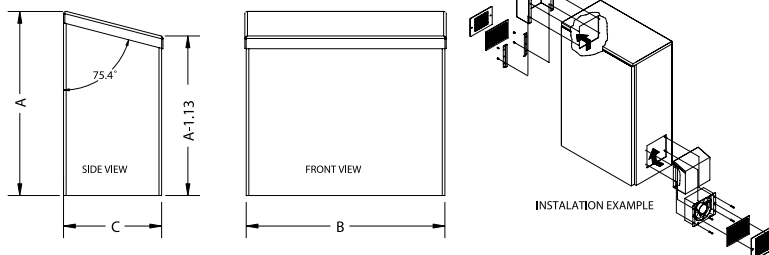
Catalog No.	Height (A)	Width (B)	Cutout Size (F)	Cutout Size (G)	Product Code	List Price
SCE-FGA44	6.11	7.38	5.66	5.91	P1	104.40
SCE-FGA66	7.61	8.88	7.16	7.41	P1	106.79
SCE-FGA1010	11.62	12.88	11.16	11.41	P1	141.12



Catalog No.	Height (A)	Width (B)	Depth (C)	Finish	Product Code	List Price
SCE-RH44	8.09	7.62	4.50	ANSI-61 Gray	P1	61.33
SCE-RH66	8.46	9.24	4.56	ANSI-61 Gray	P1	65.43
SCE-RH1010	12.34	13.12	4.50	ANSI-61 Gray	P1	73.60
SCE-RH66-05	8.46	9.24	4.56	SCE-05 White	P1	65.43
SCE-RH1010-05	12.34	13.12	4.50	SCE-05 White	P1	73.60

Stainless Steel

SCE-RH44SS	8.09	7.62	4.50	#4 Brushed Finish	P1	85.86
SCE-RH66SS	8.46	9.24	4.56	#4 Brushed Finish	P1	91.60
SCE-RH1010SS	12.34	13.12	4.50	#4 Brushed Finish	P1	103.05



ENVIRO-THERM® THERMAL MANAGEMENT

Fan Package

Designed for use in enclosures that require cooling but have limited space. Consists of a washable aluminum filter, steel air plenum, removable stainless steel grille, single phase fan, and approximately 14 inches of lead wire. Grille has captivated thumb nuts for easy access to the filter from the outside. Fans are available in 115 or 230 volt AC or 24 volt DC, 50/60 Hertz (Hz) single phase. Air plenum is ANSI-61 gray powder coated. For installation information, please consult our Installation Manual at www.saginawcontrol.com. UL listed motor.

IS24 - Industry Standards
UL Component Recognized

Filter and Grille Package

Designed for use on air discharge side of cooling fan package. Stainless steel grille with captivated thumb screws. Aluminum mounting brackets and aluminum filter. Mounting hardware is furnished.

Rain Hood

Designed for use with standard fan and filter kits to prevent rain, sleet, snow, dropping water or fluids from being drawn into the enclosure. Made of heavy gauge galvanized steel and powder coated. "SS" kits are made of Type 304 stainless steel with #4 brushed finish. UL Recognized. For installation information, please consult our Installation Manual at www.saginawcontrol.com.

Note: Fan and Filter Kit are sold separately.

UL Recognized Type 3R

ENVIRO-THERM® THERMAL MANAGEMENT

Type 12 Fans & Filters - RAL 7035 Gray

Easy to install snap fit design for use in enclosures that require cooling but have limited space in NEMA 1 and 12 applications. Housing and grill are made of gray heat resistant (ABS-FR), self-extinguishing material. Fans are available in 115, 50/60 Hertz (Hz) single phase or 24 volt DC.

UL Recognized Type 12

Type 12 Exhaust Filters - RAL 7035 Gray

Easy to install snap fit design for use on air discharge side of cooling fan package for Type 1 & 12 applications. Housing and grille are made of gray heat resistant (ABS-FR), self-extinguishing material with a Type 12 filter.

UL Recognized Type 12

Type 3R Fans & Filters

Easy to install snap fit design for use in enclosures that require cooling but have limited space in NEMA 3R applications. Grille is made of black UV and water resistant, self-extinguishing PVC material, housing is ABS material with steel inner guard for increased impact resistance. Fans are available in 115, 230 volt AC, 50/60 (Hz).

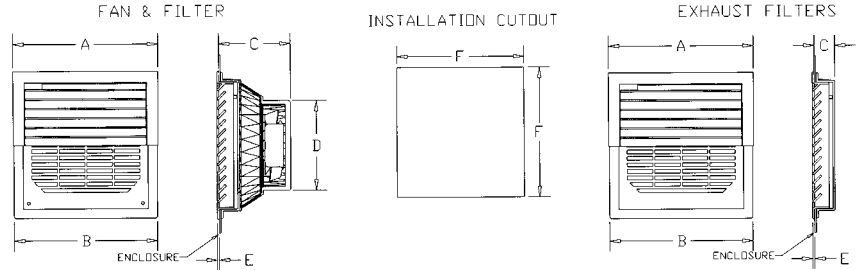
UL Recognized Type 3R

Type 3R Exhaust Filters

Easy to install snap fit design for use on air discharge side of cooling fan package for Type 3R applications. Grille is made of black UV and water resistant, self-extinguishing PVC material, housing is ABS material with steel inner guard for increased impact resistance.

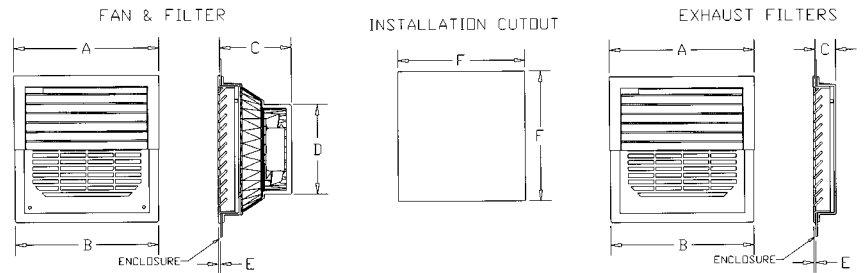
UL Recognized Type 3R

Catalog No.	Height (A)	Width (B)	Depth (C)	CFM	Cutout Size (F)	Product Code	List Price
SCE-N12FA44LG	5.90	5.90	2.90	26/29	5.03 sq.	P1	182.69
SCE-N12FA66LG	9.80	9.80	4.90	135/159	8.91 sq.	P1	258.93
SCE-N12FA1010LG	12.80	12.80	6.30	306/341	11.57 sq.	P1	636.43
SCE-N12FA44-24VLG	5.90	5.90	2.90	28	5.03 sq.	P1	316.07
SCE-N12FA66-24VLG	9.80	9.80	4.90	86	8.91 sq.	P1	482.14



Catalog No.	Height (A)	Width (B)	Depth (C)	Cutout Size (F)	Product Code	List Price
SCE-N12FGA44LG	5.91	5.91	1.15	5.03 Sq.	P1	58.93
SCE-N12FGA66LG	9.84	9.84	1.33	8.91 Sq.	P1	78.57
SCE-N12FGA1010LG	12.80	12.80	1.34	11.57 Sq.	P1	98.21

Catalog No.	Height (A)	Width (B)	Depth (C)	CFM	Cutout Size (F)	Product Code	List Price
SCE-N3RFA44	5.90	5.90	2.90	39/47	5.03 sq.	P1	369.05
SCE-N3RFA66	9.80	9.80	4.90	133/158	8.91 sq.	P1	500.00
SCE-N3RFA1010	12.80	12.80	6.30	306/341	11.57 sq.	P1	928.57
SCE-N3RFA44-230	5.90	5.90	2.90	39/47	5.03 sq.	P1	488.10
SCE-N3RFA66-230	9.80	9.80	4.90	133/158	8.91 sq.	P1	529.76
SCE-N3RFA1010-230	12.80	12.80	6.30	306/359	11.57 sq.	P1	1,023.81
SCE-N3RFA10HF	12.80	12.80	6.30	435/494	11.57 sq.	P1	1,226.19
SCE-N3RFA10HF-230	12.80	12.80	6.30	435/494	11.57 sq.	P1	1,380.95



Catalog No.	Height (A)	Width (B)	Depth (C)	Cutout Size (F)	Product Code	List Price
SCE-N3RFGA44	5.90	5.90	1.20	5.03 Sq.	P1	142.86
SCE-N3RFGA66	9.80	9.80	1.30	8.91 Sq.	P1	202.38
SCE-N3RFGA1010	12.80	12.80	1.30	11.57 Sq.	P1	244.05

Phone (989) 799-6871
Fax (989) 799-4524

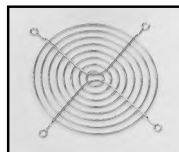
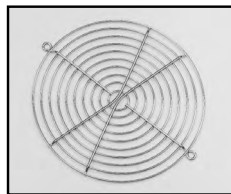
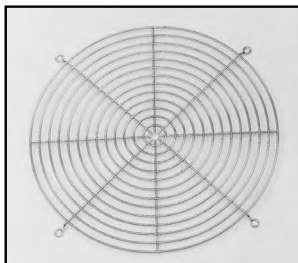


1 Operator System Enclosures
 2 Wall-Mount Enclosures
 3 Free-Standing & Floor-Mounted Enclosures
 4 Modular Enclosures
 5 Operator System Enclosures (Stainless Steel)
 6 Wall-Mount Enclosures (Stainless Steel)
 7 Free-Standing & Floor-Mounted Enclosures (Stainless Steel)
 8 Non-Metallic Enclosures
 9 Enviro-Therm® Thermal Management
 10 Technical Information
 11 Index

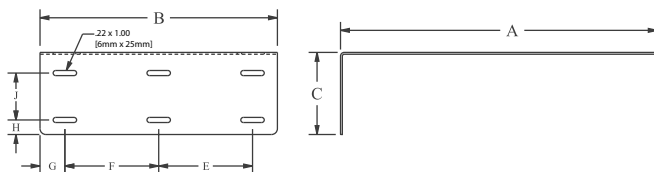
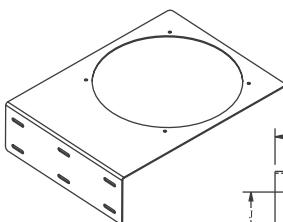
Catalog No.	Air Flow CU Feet Per Min.	Diameter	Fan Dim. Square	Depth	Product Code	List Price
SCE-CF4	95/115		4.69	1.52	P1	93.43
SCE-CF6	203/238	6.72		2.00	P1	234.96
SCE-CF10	600/665	10.00		3.50	P1	247.91
SCE-CF4-230	95/115		4.69	1.52	P1	150.50
SCE-CF6-230	203/238	6.72		2.00	P1	261.92
SCE-CF10-230	600/665	10.00		3.50	P1	272.71



Catalog No.	Use on Cooling Fan Cat. No.	Product Code	List Price
SCE-GARD4	SCE-CF4	P2	17.38
SCE-GARD6	SCE-CF6	P2	21.11
SCE-GARD10	SCE-CF10	P2	26.08



Catalog No.	Description	Height (A)	Width (B)	Depth (C)	(E)	(F)	(J)	Product Code	List Price
SCE-112399	4" Fan Bracket	6.00	5.00	1.50	-	3.00	0.62	P2	20.52
SCE-111252	6" Fan Bracket	10.00	6.88	2.00	-	5.00	1.00	P2	24.31
SCE-110551	10" Fan Bracket	13.50	10.12	3.50	4.00	4.00	2.00	P2	44.52



ENVIRO-THERM® THERMAL MANAGEMENT

Cooling Fans

Designed for use in enclosures where space is limited and reliable cooling is required. 115 or 230 volt AC 50/60 Hz. Single phase motor. A finger guard is included. UL listed motor.

IS24 - Industry Standards

UL Component Recognized

Finger Guards

A finger guard is included with each cooling fan. An additional finger guard can be mounted on either of the fans for maximum safety. Chrome plated.

Cooling Fan Bracket

Cooling fan brackets are designed for general circulation or to direct air in a problem area. Brackets are made of heavy gauge steel and powder coated white. Fans and finger guards are ordered separately.

ENVIRO-THERM® THERMAL MANAGEMENT

Fan Heater with Thermostat

Designed to protect electrical controls, instruments and sensitive components from low temperatures and the effects of condensation and corrosion by maintaining a stable temperature within the electrical enclosure. These heaters are not intended for use in hazardous, wet, dusty or dirty locations. For installation information, consult our Installation Manual at www.saginawcontrol.com.

IS24 - Industry Standards
UL Component Recognized

Fan Heater

Compact design that heats up dynamically and is quiet during operation. Din rail clip design for 15mm, 35mm and C-Din Rail. 14" heater cable, 10" fan cable. 100 - 240V 50/60 Hz Heater and 24 V Integrated fan. For installation information, consult our Installation Manual at www.saginawcontrol.com.

IS24 - Industry Standards
UL Component Recognized

Touch Safe Heater

PTC (Positive Temperature Coefficient) Din rail clip design for 35mm Din Rail. Designed for protection from low temperatures, condensation and corrosion. Touch Safe with 2 screw terminal for standard AWG 14 wire. 110 - 240V AC or DC. For installation information, consult our Installation Manual at www.saginawcontrol.com.

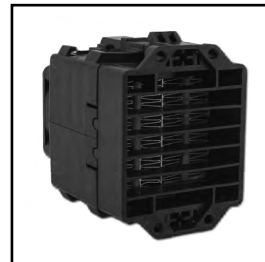
IS24 - Industry Standards
UL Component Recognized

Catalog No.	Watt @ 60 Hz	Volt	Height	Width	Depth	Product Code	List Price
SCE-HF1251A	125	115	5.50	4.00	4.50	P1	366.67
SCE-HF1252A	125	230	5.50	4.00	4.50	P1	396.00
SCE-HF2001A	200	115	5.50	4.00	4.50	P1	432.67
SCE-HF2002A	200	230	5.50	4.00	4.50	P1	469.33
SCE-HF4001B	400	115	7.50	4.00	4.50	P1	506.00
SCE-HF4002B	400	230	7.50	4.00	4.50	P1	539.00
SCE-HF8001B	800	115	7.50	4.00	4.50	P1	590.65
SCE-HF8002B	800	230	7.50	4.00	4.50	P1	627.00



- Brushed Aluminum Housing
- Thermostat Range 0° to 100°F (-18° to 38°C)
- Heat discharge at the top of the heater
- Panel mount
- Air volume of 16 CFM on 125 & 200 Watt heaters, 26 CFM on 400 & 800 Watt heaters
- Heat indicator light
- Switch for Auto or Fan
- UL Recognized
- CSA Approved
- CE

Catalog No.	Watts	Max Current	Height	Width	Depth	Product Code	List Price
SCE-H350	350	3.0 A	3.10	2.10	3.30	P1	161.33



Catalog No.	Watts	Max Current	Height	Width	Depth	Product Code	List Price
SCE-TSH25	25	2.5 A	4.92	1.61	1.61	P1	91.67
SCE-TSH50	50	3.5 A	4.92	1.61	1.61	P1	117.33
SCE-TSH75	75	4.0 A	5.51	2.76	2.48	P1	150.33
SCE-TSH100	100	5.0 A	5.51	2.76	2.48	P1	179.67
SCE-TSH150	150	9.5 A	8.66	2.76	2.48	P1	242.00



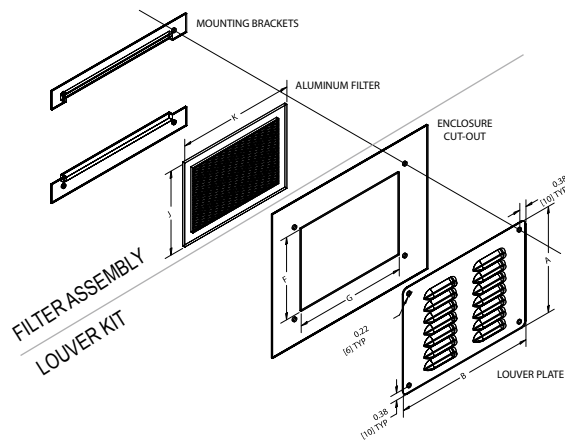
Phone (989) 799-6871
Fax (989) 799-4524



Catalog No.	Height (A)	Width (B)	Cutout Size (F)	Cutout Size (G)	Product Code	List Price
SCE-AVK23	3.25	3.25	2.00	1.75	P2	16.64
SCE-AVK33	3.88	4.50	2.62	3.00	P2	17.38
SCE-AVK34	4.75	4.50	3.50	3.00	P2	18.38
SCE-AVK43	4.50	5.50	3.25	4.00	P2	18.87
SCE-AVK44	5.63	5.50	4.38	4.00	P2	19.87
SCE-AVK64	5.63	7.50	4.38	6.00	P2	21.85
SCE-AVK66	7.88	7.50	6.62	6.00	P2	22.60
SCE-AVK84	5.81	9.50	14.06	8.00	P2	23.34
SCE-AVK86	8.18	9.50	4.56	8.00	P2	26.33
SCE-AVK88	10.56	9.50	6.94	8.00	P2	29.31
SCE-AVK812	15.31	9.50	9.31	8.00	P2	34.77

Stainless Steel

SCE-AVK23SS	3.25	3.25	2.00	1.75	P2	41.60
SCE-AVK33SS	3.88	4.50	2.62	3.00	P2	43.46
SCE-AVK34SS	4.80	4.50	3.50	3.00	P2	45.94
SCE-AVK43SS	4.50	5.50	3.25	4.00	P2	47.19
SCE-AVK44SS	5.63	5.50	4.38	4.00	P2	49.67
SCE-AVK64SS	5.63	7.50	4.48	6.00	P2	54.63
SCE-AVK66SS	7.88	7.50	6.62	6.00	P2	55.88
SCE-AVK84SS	5.81	9.50	14.06	8.00	P2	57.13
SCE-AVK86SS	8.19	9.50	4.56	8.00	P2	58.36
SCE-AVK88SS	10.56	9.50	6.94	8.00	P2	65.82
SCE-AVK812SS	15.31	9.50	9.31	8.00	P2	86.93



Catalog No.	Filter Size (J)	Filter Size (K)	Product Code	List Price
SCE-FLT33	3.22	3.25	P2	22.35
SCE-FLT34	4.09	3.25	P2	22.35
SCE-FLT43	3.84	4.25	P2	22.35
SCE-FLT44	4.97	4.25	P2	22.35
SCE-FLT64	4.45	6.25	P2	24.84
SCE-FLT66	6.72	6.25	P2	24.84
SCE-FLT84	4.64	8.25	P2	27.32
SCE-FLT86	7.02	8.25	P2	27.32
SCE-FLT88	9.39	8.25	P2	27.32
SCE-FLT812	14.14	8.25	P2	29.80

ENVIRO-THERM® THERMAL MANAGEMENT

Louver Kit

Designed for ventilation in enclosures where excessive heat or moisture is a problem. Kits may be installed in the field by making a cutout of the proper size. Louver plates are made of heavy gauge steel and powder coated ANSI-61 gray. "SS" parts are made of Type 304 stainless with #4 brushed finish.

Filter Assembly

Designed for use with louver kit. Consists of aluminum filter brackets with mounting holes to align with louver mounting holes and a washable aluminum air filter to provide good air filtration. For installation information, please consult our Installation Manual at www.saginawcontrol.com.

DOOR HARDWARE

1/4 Turn Door Latch Inserts

Designed to replace black quarter turn latches when additional security is required.

Slotted 2 x 4 Door Latch
 (28mm cam included)

Catalog No.	Qty. Per Kit	Finish	Product Code	List Price
SCE-DLSB	1	Chrome	P2	17.38
SCE-DLSBB	1	Black	P2	17.38
SCE-DLSSB	1	Stainless	P2	42.22


Wing Knob Door Latch
 (28mm cam included)

Catalog No.	Qty. Per Kit	Finish	Product Code	List Price
SCE-DLWKC	1	Chrome	P2	17.38
SCE-DLWKF	1	Black	P2	17.38
SCE-DLWKF-25	25	Black	V1	284.83

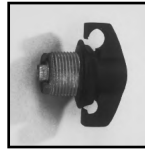

Keylocking Wing Knob Latch
 (28mm cam included)

(Key: SCE-K333)

Catalog No.	Qty. Per Kit	Finish	Product Code	List Price
SCE-KLWN	1	Chrome	P2	34.77
SCE-KLWNB	1	Black	P2	34.77


Padlocking Wing Knob Latch
 (28mm cam included)

Catalog No.	Qty. Per Kit	Finish	Product Code	List Price
SCE-PLWKB	1	Black	P2	19.87
SCE-PLWKB-50	50	Black	V1	651.65


Padlocking Housing Latch
 (28mm cam included)

Catalog No.	Qty. Per Kit	Finish	Product Code	List Price
SCE-PLHG	1	Black	P2	17.38


Non-Locking "T" Handle
 (28mm cam included)

Catalog No.	Qty. Per Kit	Finish	Product Code	List Price
SCE-NLTH	1	Chrome	P2	24.84


Keylocking "T" Handle
 (28mm cam included)

(Key: SCE-K333)

Catalog No.	Qty. Per Kit	Finish	Product Code	List Price
SCE-ELKLT	1	Chrome	P2	39.19


Coinproof Door Latch
 (28mm cam included)

Catalog No.	Qty. Per Kit	Finish	Product Code	List Price
SCE-DLCA	1	Chrome	P2	14.90

Sanitary Quarter Turn Latch
 (28mm cam and (1) Key included)

Catalog No.	Qty. Per Kit	Finish	Product Code	List Price
SCE-SSQT	1	Stainless	P2	127.30


Keylocking Door Latch
 (28mm cam included)

(Key: SCE-K333)

Catalog No.	Qty. Per Kit	Finish	Product Code	List Price
SCE-DLKLD	1	Chrome	P2	27.32
SCE-DLKLDB	1	Black	P2	27.99
SCE-DLKLDB-25	25	Black	V1	543.12


7mm Square Door Latch with Key
 (28mm cam included)

(Key: SCE-101695)

Catalog No.	Qty. Per Kit	Finish	Product Code	List Price
SCE-DL7SC	1	Chrome	P2	17.38


8mm Square Door Latch with Key
 (28mm cam included)

(Key: SCE-101697)

Catalog No.	Qty. Per Kit	Finish	Product Code	List Price
SCE-DL8SB	1	Black	P2	12.91
SCE-DL8SC	1	Chrome	P2	12.91


7mm Triangular Latch with Key
 (28mm cam included)

(Key: SCE-107930)

Catalog No.	Qty. Per Kit	Finish	Product Code	List Price
SCE-DL7TE	1	Chrome	P2	17.38


5mm Double Bit Door Latch with Key
 (28mm cam included)

(Key: SCE-110047)

Catalog No.	Qty. Per Kit	Finish	Product Code	List Price
SCE-DL5MDB	1	Chrome	P2	17.38
SCE-DL5MDBB	1	Black	P2	17.38


6 mm External Stop Cam, Plated Steel for use with Quarter Turn Latch

Catalog No.	Qty. Per Kit	Product Code	List Price
SCE-100814	10	P2	24.00


28 mm External Stop Cam, Plated Steel for use with Quarter Turn Latch

Catalog No.	Qty. Per Kit	Product Code	List Price
SCE-102804	10	P2	24.00



1 Operator System Enclosures
 2 Wall-Mount Enclosures
 3 Free-Standing & Floor-Mounted Enclosures
 4 Modular Enclosures
 5 Operator System Enclosures (Stainless Steel)
 6 Wall-Mount Enclosures (Stainless Steel)
 7 Free-Standing & Floor-Mounted Enclosures (Stainless Steel)
 8 Non-Metallic Enclosures
 9 Door Hardware
 10 Technical Information
 11 Index

DOOR HARDWARE

Mini Quarter Turn Latch Options

Mini Quarter Turn Latches

Designed for use on ELJ enclosures and window kits. (35° cam included)

Catalog No.	Qty. Per Kit	Finish	Product Code	List Price
SCE-MINQ	1	Chrome	P2	9.94
SCE-MINQB	1	Black	P2	9.94
SCE-MINQSS	1	Stainless	P2	23.36



304 Stainless Steel Padlock Bracket for Miniature Quarter Turn. (ELJ & HWK)

Catalog No.	Qty. Per Kit	Product Code	List Price
SCE-MINQPL	1	P2	8.52



Black Keylocking Lever Knob for Miniature Quarter Turn. (ELJ & HWK) (No cam included)

Catalog No.	Qty. Per Kit	Product Code	List Price
SCE-MINQKLB	1	P2	49.52



Key: SCE-2233X

Black Non-Locking Lever Knob for Miniature Quarter Turn. (ELJ & HWK) (No cam included)

Catalog No.	Qty. Per Kit	Product Code	List Price
SCE-MINQLB	1	P2	28.56
SCE-MINQLB-25	25	V1	571.20



Black 6 mm Square Miniature Quarter Turn with Key. (ELJ & HWK) (No cam included)

Catalog No.	Qty. Per Kit	Product Code	List Price
SCE-MINQ6MS	1	P2	34.19



28 mm Cam, Plated Steel for use with Miniature Quarter Turns

Catalog No.	Qty. Per Kit	Product Code	List Price
SCE-105419	1	P2	2.04



35° Cam, Plated Steel for use with Miniature Quarter Turns. (ELJ, HWK & HA)

Catalog No.	Qty. Per Kit	Product Code	List Price
SCE-112984	1	P2	1.73



“SCE” Handle

Designed for use on custom and stock SCE enclosures. Can be used as replacements for installed SCE hardware when a different locking mechanism is desired. 7” and 5” lengths for different size enclosures. Black zinc die cast. For 2 or 3-point latch, use SCE-ARK36 Door Rod Kit.

Catalog No.	Description	Length	Qty. Per Kit	Product Code	List Price
SCE-PCH5	Coinproof/Padlocking	5 in.	1	P2	86.93
SCE-PH5	Padlocking	5 in.	1	P2	86.93
SCE-PKH5	Keylocking/Padlocking	5 in.	1	P2	86.93
SCE-PCH5-7SC	7 mm Square Insert	5 in.	1	P2	86.93
SCE-PCH7	Coinproof/Padlocking	7 in.	1	P2	99.34
SCE-PH7	Padlocking	7 in.	1	P2	99.34
SCE-PKH7	Keylocking/Padlocking	7 in.	1	P2	99.34
SCE-PCH7-7SC	7 mm Square Insert	7 in.	1	P2	99.34



SCE-PCH5
SCE-PCH7



SCE-PH5
SCE-PH7



SCE-PKH5
SCE-PKH7
Key: SCE-KC101



SCE-PCH5-7SC
SCE-PCH7-7SC
Key: SCE-101695

“SCE” Stainless Handle

Designed for use on custom and stock SCE enclosures. Can be used as replacements for installed SCE hardware when a different locking mechanism is desired. Stainless Steel, 5” length. For 2 or 3-point latch, use SCE-ARK36 or SCE-103370 Door Rod Kit.

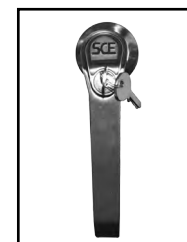
Catalog No.	Description	Length	Qty. Per Kit	Product Code	List Price
SCE-PCH5SS	Coinproof/Padlocking	5 in.	1	P2	117.25
SCE-PH5SS	Padlocking	5 in.	1	P2	107.44
SCE-PKH5SS	Keylocking/Padlocking	5 in.	1	P2	114.69



SCE-PCH5SS



SCE-PH5SS



SCE-PKH5SS

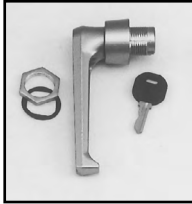
DOOR HARDWARE

EnviroLine® Series Handles

(Key: SCE-K333)

Designed for use in the EnviroLine® Series enclosures, for a quick and easy conversion from the standard quarter turn latch, with no added holes or cutouts necessary for installation. Single Point Cam Included. Not recommended for use on enclosures greater than 36" in height.

Catalog No.	Description	Qty. Per Kit	Product Code	List Price
SCE-ELKL	Keylocking Handle	1	P2	62.09
SCE-ELPL	Padlocking Handle	1	P2	62.09



Flush Swing Handles

Designed for use on custom and stock SCE enclosures. Can be used as replacements on SCE work stations when a different locking mechanism is required. Zinc die cast metal powder coated black.

Catalog No.	Description	Qty. Per Kit	Product Code	List Price
SCE-FSH2	Keylocking	1	P2	63.34
SCE-FSH4	8mm Square Lock	1	P2	63.34
SCE-FSH6	Keylocking/Padlocking	1	P2	81.96
SCE-FSH8	Padlocking	1	P2	72.03



SCE-FSH2
Key: SCE-K333



SCE-FSH4
Key: SCE-101697



SCE-FSH6
Key: SCE-K333



SCE-FSH8

EnviroLine® Three-Point Latch Kit

Designed for use with all EnviroLine Series enclosures. This simple to install latch kit will add a two or three point latching system to the enclosure. The kit includes easy to cut 5/16 inch round rods with rollers and rod guides for a strong functioning latching system. No added holes or cutouts in the enclosure necessary for installation.

Catalog No.	Qty. Per Kit	Product Code	List Price
SCE-3PTL	1	P2	62.09



KeyLocking Door Latch for use with Nema-1 Enclosures with Knockouts (cam and keys included)

Catalog No.	Qty. Per Kit	Product Code	List Price
SCE-L	1	P2	11.41



Small Three Point Cam, Plated Steel for use with SCE 5" Handles.

Catalog No.	Qty. Per Kit	Product Code	List Price
SCE-3PTSMC	1	P2	13.12



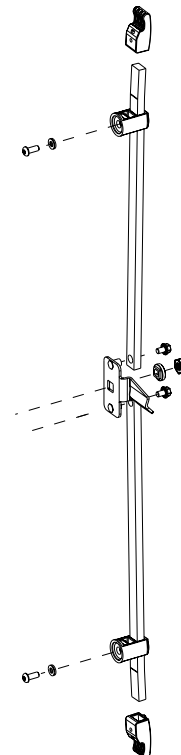
Large Cam for Door Hinged on Left, Plated Steel for use with SCE 7" Handles.

Catalog No.	Qty. Per Kit	Product Code	List Price
SCE-102237	1	P2	12.50



Aluminum Rod Kit With Ramp Shoes

Catalog No.	Rod Size	Qty. Per Kit	Product Code	List Price
SCE-ARK36	0.375 x 0.625	1	P2	115.23
SCE-103370	0.25 x 0.50	1	P2	57.80



1 Operator System Enclosures
 2 Wall-Mount Enclosures
 3 Free-Standing & Floor-Mounted Enclosures
 4 Modular Enclosures
 5 Operator System Enclosures (Stainless Steel)
 6 Wall-Mount Enclosures (Stainless Steel)
 7 Free-Standing & Floor-Mounted Enclosures (Stainless Steel)
 8 Non-Metallic Enclosures
 9 Door Hardware
 10 Technical Information
 11 Index

DOOR HARDWARE

Quick Release Clamp Assembly

Designed for quick access to an enclosure with standard screw clamps. Black zinc die cast with stainless steel fasteners.

Catalog No.	Enclosure Type	Thread Type	Qty. Per Kit	Product Code	List Price
SCE-LPQR	"LP"	1/4-20	1	P2	8.10
SCE-QRCH	"CHNF"	10-24	1	P2	7.62



Replacement Clamps

Designed as replacement clamps for SCE enclosures.

Catalog No.	Enclosure Type	Thread Type	Finish	Qty. Per Kit	Product Code	List Price
SCE-LPCLAMP	"LP"	1/4-20	Chrome	2	P2	17.38
SCE-LPCLAMPSS	"LP"	1/4-20	Stainless	2	P2	21.87
SCE-CHCLAMP	"CHNF"	10-24	Chrome	2	P2	16.38
SCE-CHCLAMPSS	"CHNF"	10-24	Stainless	2	P2	20.08



SCE-LPCLAMP/SS

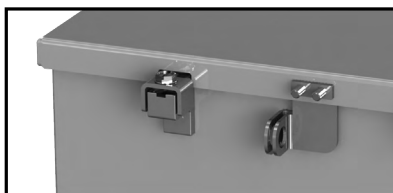


SCE-CHCLAMP/SS

Padlock Kit For Junction Boxes

Designed for "CHNF" enclosures. Maintains water-tight and dust-tight seal. Made of plated steel.

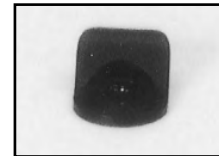
Catalog No.	Qty. Per Kit	Product Code	List Price
SCE-PLKJIC	1	P2	9.94



Finger Pull

Designed for use as pull latch for the removable wireway.

Catalog No.	Description	Qty. Per Kit	Product Code	List Price
SCE-ELFP	Aluminum	1	P2	9.94



Pull Handle

Designed for use as a handle on enclosures. Handle is a steel tube plastic coated black with black molded polyamide plastic end stays.

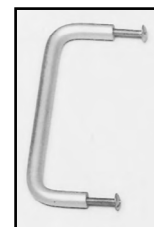
Catalog No.	Qty. Per Kit	Size	Product Code	List Price
SCE-UHK13	1	3.15 x 13.00	P2	39.74



Pull Handle - 4"

Designed for use on keyboard drawers, swing out panels, etc. Mounting hardware is included.

Catalog No.	Finish	Hole Center	Qty. Per Kit	Product Code	List Price
SCE-APH	Aluminum	4.00	1	P2	22.35



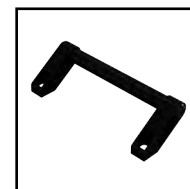
HMI Pull Handles

Designed for use on HMI enclosures. Handle is a steel tube plastic coated black with black molded polyamide plastic end stays. Mounting hardware is included.

Catalog No.	Length	Qty. Per Kit	Product Code	List Price
SCE-HMIPH5	5 in.	1	P2	25.16
SCE-AUHK	12 in.	1	P2	35.94



SCE-HMIPH5



SCE-AUHK

PROGRAM PORTS

Application -

This product line is designed to help increase your compliance with NFPA 70E and reduce the risk of personal exposure of arc flash by reducing the need to access the enclosure, by bringing utility outlets and data interface ports outside the enclosures.

Construction -

- Transparent polycarbonate sealed cover.
- Quick release padlocking latch.
- 120 VAC Simplex Outside.
- Available with Ethernet, Control Net, Serial or Device Net data interface ports

Options -

- Contact the factory for availability of any other data interface ports or type 4X designs.

Finish -

Powder coated light gray.

Industry Standards -

- UL Recognized Type 1, 12 or 4
- CSA Approved Type 1, 12 or 4
- NFPA 70E Compliant
- Ports with "foreign" Outlets are CE Compliant

Catalog No.	Qty. Per Kit	Interface	Type	Product Code	List Price
P-R2-F3R3-U450	1	(Ethernet)	4	P4	127.28

RJ-45 CAT5 F/F connector with 120 VAC Simplex outlet & 3 Amp circuit breaker



Catalog No.	Qty. Per Kit	Interface	Type	Product Code	List Price
P-B15-F3R3-U450	1	(Control Net)	4	P4	144.64

RJ-45 CAT5 F/F connector with 120 VAC Simplex outlet & 3 Amp circuit breaker



Catalog No.	Qty. Per Kit	Interface	Type	Product Code	List Price
P-Q7-F3R3-U450	1	(Serial)	4	P4	148.77

DB9 F/M connector with 120 VAC Simplex outlet & 3 Amp circuit breaker



Catalog No.	Qty. Per Kit	Interface	Type	Product Code	List Price
P-Q9-F3R3-U450	1	(Serial)	4	P4	148.77

DB9 M/F connector with 120 VAC Simplex outlet & 3 Amp circuit breaker



Catalog No.	Qty. Per Kit	Interface	Type	Product Code	List Price
P-B15-K3RF3-U450	1	(Control Net)	4	P4	166.13



RJ-45 CAT5 F/F connector with 120 VAC
Duplex GFCI with internal Simplex GFCI & 3 Amp circuit breaker

Catalog No.	Qty. Per Kit	Interface	Type	Product Code	List Price
P-Q7-K3RF3-U450	1	(Serial)	4	P4	159.51



DB9 F/M connector with 120 VAC
Duplex GFCI with internal Simplex GFCI & 3 Amp circuit breaker

Catalog No.	Qty. Per Kit	Interface	Type	Product Code	List Price
P-R2-K2RF3-U450	1	(Ethernet)	4X	P4	206.91
P-R2-K3RF3-U450	1	(Ethernet)	4	P4	151.25
P-R2-K4RF3-U450	1	(Ethernet)	12	P4	168.61



RJ-45 CAT5 F/F connector with 120 VAC
Duplex GFCI with internal Simplex GFCI & 3 Amp circuit breaker

Catalog No.	Qty. Per Kit	Interface	Type	Product Code	List Price
P-P11R2-K3RF0-U450	1	(Ethernet/USB)	4	P4	149.46



RJ-45 CAT5 F/F connector with 120 VAC
Duplex GFCI with internal Simplex GFCI. No circuit breaker

PROGRAM PORTS

Application -

This product line is designed to help increase your compliance with NFPA 70E and reduce the risk of personal exposure of arc flash by reducing the need to access the enclosure, by bringing GFCI utility outlets and data interface ports outside the enclosures.

Construction -

- Transparent polycarbonate sealed cover.
- Quick release padlocking latch.
- GFCI Ground fault circuit interrupters with exclusive three outlet design, GFCI Duplex outside the enclosure with GFCI Simplex inside.
- Available with Ethernet, USB, Control Net, Serial or Device Net data interface ports

Options -

- Contact the factory for availability of any other data interface ports or additional type 4X designs.

Finish -

Powder coated light gray.

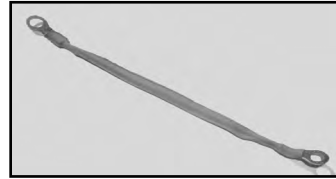
Industry Standards -

- UL Recognized Type 1, 12, 4 or 4X
- CSA Approved Type 1, 12, 4 or 4X
- NFPA 70E Compliant
- Ports with "foreign" Outlets are CE Compliant

GENERAL ACCESSORIES

Grounding Straps

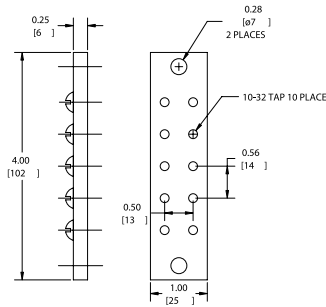
Grounding straps can be used to provide electrical continuity between metal parts which must be electrically connected. Consists of braided copper with a ring terminal at both ends. Braid is insulated with green and yellow striped plastic.



Grounding Bars

Designed to provide a grounding area for controls and equipment. Has ten 10-32 tapped conductor holes and two mounting holes. Made of copper.

Catalog No.	Height (A)	Width (B)	Depth (C)	Product Code	List Price
SCE-GB10	1.00	4.00	0.25	P2	86.93



Door Stop Kit

For use on most SCE Type 4, 4X and 12 enclosures to lock door in the open position. Door opening must be at least 12 inches and must open horizontally. Designed to be installed at the bottom of the door opening. For installation information, consult our Installation Manual at www.saginawcontrol.com.



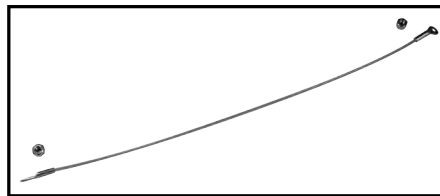
Provided with UL Recognized sealing washer to maintain Environmental Rating of the enclosure.

Catalog No.	Finish	Product Code	List Price
SCE-DSTOPK	Zinc Plated	P2	67.05

Cable Door Stop

Cable door stops designed for use with Consolet Enclosures to limit door travel on upward or downward traveling doors.

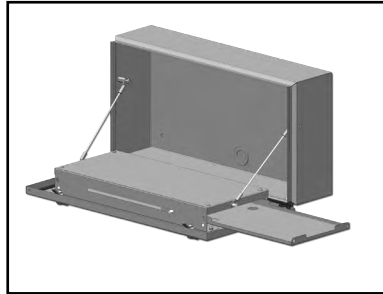
Catalog No.	Length	Product Code	List Price
SCE-CBL15	15.00	P2	13.75
SCE-CBL20	20.00	P2	14.25



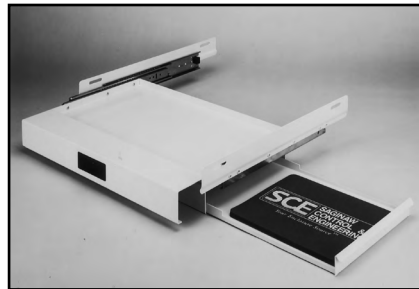
Phone (989) 799-6871
Fax (989) 799-4524



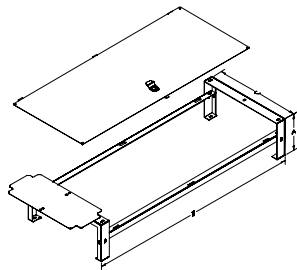
Catalog No.	Height (A)	Width (B)	Depth (C)	Product Code	List Price
SCE-24KB	12.25	24.00	6.00	P2	447.04



Catalog No.	Height (A)	Width (B)	Depth (C)	Enclosure Depth	Product Code	List Price
SCE-KBS	3.00	20.00	14.00	24.25	P2	372.54
SCE-KBS32	3.00	20.00	14.00	32.25	P2	372.54



Catalog No.	Length (A)	Width (B)	Depth (C)	Enclosure Depth	Product Code	List Price
SCE-14RMW	6.00	35.00	14.00	18.00	P2	198.69
SCE-20RMW	6.00	35.00	20.00	24.00	P2	223.52



GENERAL ACCESSORIES

Keyboard Kit

Designed to house a keyboard input. Mounted on the outside of an enclosure. Envirolite® type construction with ELJ hinge and mini quarter turn lever knob. Mouse drawer. Made of heavy gauge steel and powder coated ANSI-61 gray. For installation information, consult our Installation Manual at www.saginawcontrol.com.

Provided with UL Recognized sealing washer to maintain Environmental Rating of the enclosure.

Pullout Keyboard Drawer

Designed to hold a keyboard and mouse on a separate pullout shelf. Mounts between mounting channels. Made of heavy gauge steel with a white powder coat finish. A mouse pad is included.

Removable Wire Cover

Designed to provide a "false" bottom in an enclosure with a bottom flange larger than 7 inches. Cover is bolted to a frame made of heavy gauge steel. Opens with a finger pull latch. A plate is provided to connect wire covers for a continuous bottom. Made of steel and powder coated white. For installation information, consult our Installation Manual at www.saginawcontrol.com.

GENERAL ACCESSORIES

Drip Shield Kit For Type 12 & 4 Enclosures

Protects door against dripping water and settling dust. Stainless steel screws and sealing washers are supplied with each kit. Made of steel and powder coated.

Provided with UL Recognized sealing washer to maintain Environmental Rating of the enclosure.

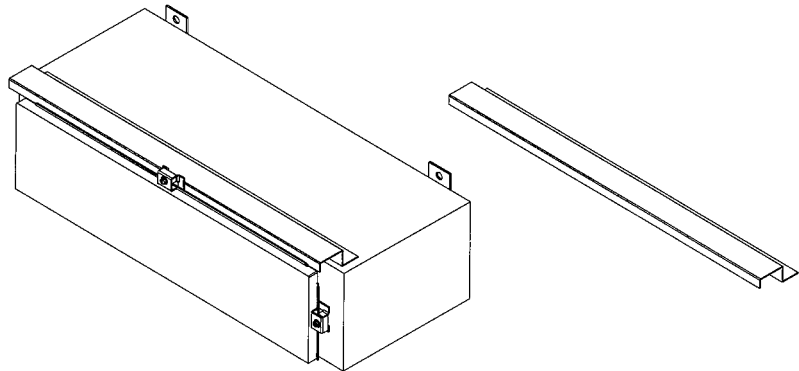
Stainless Steel Drip Shield Kit For Type 4X Enclosures

Protects door against dripping water and settling dust. Furnished with stainless steel screws and sealing washers. Kit made of stainless steel Type 304.

Provided with UL Recognized sealing washer to maintain Environmental Rating of the enclosure.

*Also available in stainless steel Type 316/316L.

Catalog No.	Fits Enclosure Width (B)	Finish	Product Code	List Price
SCE-DS12N4	12.00	ANSI-61 Gray	P2	35.83
SCE-DS16N4	16.00	ANSI-61 Gray	P2	40.80
SCE-DS20N4	20.00	ANSI-61 Gray	P2	43.28
SCE-DS24N4	24.00	ANSI-61 Gray	P2	50.74
SCE-DS30N4	30.00	ANSI-61 Gray	P2	53.22
SCE-DS36N4	36.00	ANSI-61 Gray	P2	56.40
SCE-DS42N4	42.00	ANSI-61 Gray	P2	60.31
SCE-DS48N4	48.00	ANSI-61 Gray	P2	68.82
SCE-DS60N4	60.00	ANSI-61 Gray	P2	80.17
SCE-DS72N4	72.00	ANSI-61 Gray	P2	90.43
SCE-DS12N4LG	12.00	RAL 7035 Gray	P2	35.83
SCE-DS16N4LG	16.00	RAL 7035 Gray	P2	40.80
SCE-DS20N4LG	20.00	RAL 7035 Gray	P2	43.28
SCE-DS24N4LG	24.00	RAL 7035 Gray	P2	50.74
SCE-DS30N4LG	30.00	RAL 7035 Gray	P2	53.22
SCE-DS36N4LG	36.00	RAL 7035 Gray	P2	56.40



Catalog No.	Fits Enclosure Width (B)	Product Code	List Price
SCE-DS12SS	12.00	P2	81.96
SCE-DS16SS	16.00	P2	89.41
SCE-DS20SS	20.00	P2	96.86
SCE-DS24SS	24.00	P2	104.31
SCE-DS30SS	30.00	P2	116.72
SCE-DS36SS	36.00	P2	129.14
SCE-DS42SS	42.00	P2	141.56
SCE-DS48SS	48.00	P2	158.95
SCE-DS60SS	60.00	P2	181.31
SCE-DS72SS	72.00	P2	216.07

Phone (989) 799-6871
Fax (989) 799-4524



Catalog No.	Height	Width	Finish	Product Code	List Price
SCE-FS1212	12.00	12.00	SCE-05 White	P2	146.53
SCE-FS1818	18.00	18.00	SCE-05 White	P2	183.79
SCE-FS2424	24.00	24.00	SCE-05 White	P2	221.04
SCE-FS1212-09	12.00	12.00	ANSI-61 Gray	P2	146.53
SCE-FS1818-09	18.00	18.00	ANSI-61 Gray	P2	183.79
SCE-FS2424-09	24.00	24.00	ANSI-61 Gray	P2	221.04

Stainless Steel

SCE-FS1212SS	12.00	12.00	#4 Brushed Finish	P2	418.00
SCE-FS1818SS	18.00	18.00	#4 Brushed Finish	P2	476.22
SCE-FS2424SS	24.00	24.00	#4 Brushed Finish	P2	496.72



GENERAL ACCESSORIES

Folding Shelf

Folding shelves can be installed on the inside or outside of large enclosures. They are designed to support test equipment and programmers. Locks in the horizontal position. When not in use, shelf can be folded down. Made of heavy gauge steel and powder coated. "SS" parts are stainless steel Type 304 with #4 brush finish. For installation information, consult our Installation Manual at www.saginawcontrol.com.

Provided with UL Recognized sealing washer to maintain Environmental Rating of the enclosure.

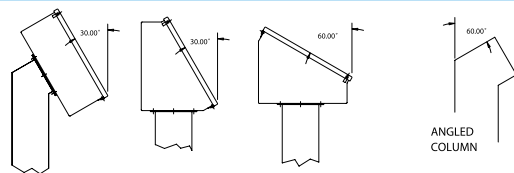
Accessory Columns and Bases

Designed to allow enclosures to be floor mounted. Columns can be mounted to either size base. Columns have flanges at each end and a gasketed access plate. Bases are to be bolted to the floor. Gasket and mounting hardware included. For technical information, consult the Installation Manual at www.saginawcontrol.com. Pedestals and bases are ANSI-61 gray powder coated. "SS" parts are stainless steel Type 304 with #4 brush finish.

Catalog No.	Description	Depth	Width	Product Code	List Price
SCE-18SBASE	Pedestal Base	18.00	18.00	P2	111.76
SCE-24SBASE	Pedestal Base	24.00	24.00	P2	253.32
SCE-44CCOL	Straight Column	4.00	4.00	P2	183.79
SCE-44PBCOL	Angled Column	4.00	4.00	P2	218.56
SCE-66CCOL	Straight Column	6.00	6.00	P2	275.68
SCE-66PBCOL	Angled Column	6.00	6.00	P2	327.83

Stainless Steel

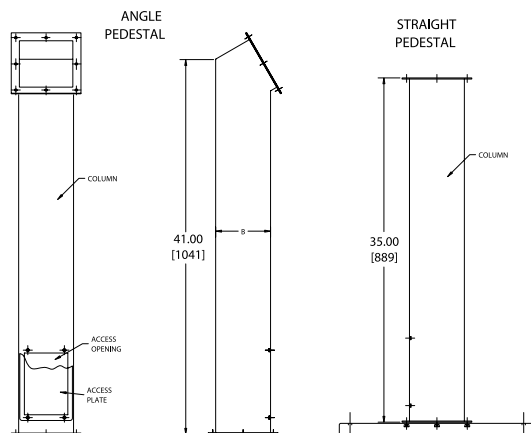
SCE-18SBASESS	Pedestal Base, Stainless Steel	18.00	18.00	P2	424.63
SCE-24SBASESS	Pedestal Base, Stainless Steel	24.00	24.00	P2	451.45
SCE-44CCOLSS	Straight Column, Stainless Steel	4.00	4.00	P2	524.13
SCE-44PBCOLSS	Angled Column, Stainless Steel	4.00	4.00	P2	624.00
SCE-66CCOLSS	Straight Column, Stainless Steel	6.00	6.00	P2	554.52
SCE-66PBCOLSS	Angled Column, Stainless Steel	6.00	6.00	P2	654.00



SCE-SA451A



SCE-44CCOL



GENERAL ACCESSORIES

LED Light Fixture

Application -

LED light fixture is designed to provide interior lighting for an enclosure. Can be mounted to light channels in the top of an enclosure or on the front flange of most enclosures.

Construction -

- Door activated adjustable switch, switch can be removed and relocated.
- Terminal block on each end of fixture, making it easy to wire and daisy chain multiple lights continuously.
- LED bulb with PVC frosted white protective light diffuser included.
- Housing made from steel and powder coated white.
- Units with convenience receptacle outlet are 120 VAC with ground 50/60 Hz. Without convenience receptacle outlet 100 to 240 VAC 50/60 Hz.
- 4000K Frosted White
- 18 inch 750 Lumens
- 24 inch 900 Lumens
- 18 inch 24VDC 500 Lumens

IS24 - Industry Standards -

UL Component Recognized

*Replacements Bulb see page 405

Light Switch Mounting Bracket

Designed to remote mount the door activated light switch when space is limited. Light Switch Mounting Bracket may be used with SCE-LF18, SCE-LF18NO, SCE-LF24 & SCE-LF24NO. For installation information, consult our Installation Manual at www.saginawcontrol.com.

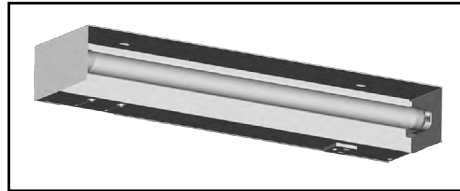
IS24 - Industry Standards -

UL Component Recognized

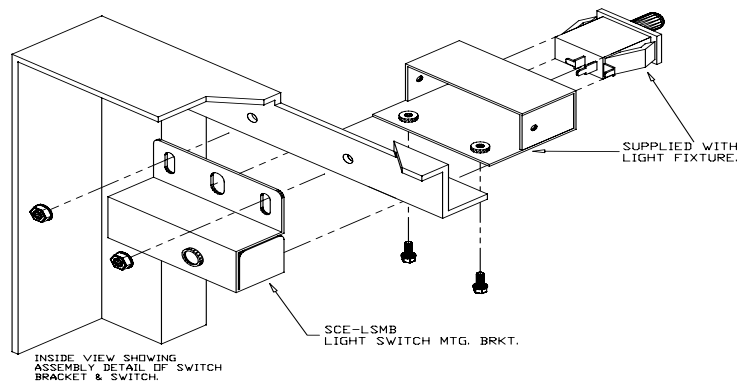
Full Light Switch Assembly

Designed to remote mount the light switch when space is limited.

Catalog No.	Height (A)	Width (B)	Depth (C)	AMP	VAC	Hz	Product Code	List Price
SCE-LF18	2.75	18.18	4.00	0.105	100-125	50/60	P2	206.55
SCE-LF24	2.75	24.18	4.00	0.105	100-125	50/60	P2	218.03
SCE-LF18NO (No Outlet)	2.75	18.18	4.00	0.105	100-240	50/60	P2	185.90
SCE-LF24NO (No Outlet)	2.75	24.18	4.00	0.105	100-240	50/60	P2	196.72
SCE-LF1824VDC (No Outlet)	2.75	18.18	4.00	0.300	24VDC	----	P2	195.90



Catalog No.	Height (A)	Width (B)	Depth (C)	Product Code	List Price
SCE-LSMB	2.00	2.68	1.00	P2	25.56



Catalog No.	Product Code	List Price
SCE-LSA	P2	38.34



Phone (989) 799-6871
Fax (989) 799-4524

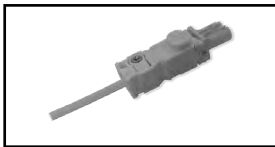


1 Operator System Enclosures
 2 Wall-Mount Enclosures
 3 Free-Standing & Floor-Mounted Enclosures
 4 Modular Enclosures
 5 Operator System Enclosures (Stainless Steel)
 6 Wall-Mount Enclosures (Stainless Steel)
 7 Free-Standing & Floor-Mounted Enclosures (Stainless Steel)
 8 Non-Metallic Enclosures
 9 General Accessories
 10 Technical Information
 11 Index

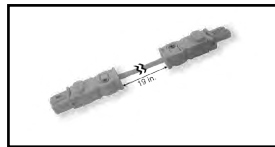
Catalog No.	Description	Height (A)	Width (B)	Depth (C)	Volt AC/DC	Hz	Product Code	List Price
SCE-SLMS	w/ Motion Sensor	13.80	1.38	1.25	24 - 265	50/60	P2	200.00
SCE-SLOF	w/ On/Off Switch	13.80	1.38	1.25	24 - 265	50/60	P2	162.79



Catalog No.	Description	Length	Product Code	List Price
SCE-SLCC	LED Strip Light Connection Cord	118 inch	P2	32.87
SCE-SLDCC	LED Strip Light Daisy Chain Cord	19 inch	P2	36.98



SCE-SLCC



SCE-SLDCC

GENERAL ACCESSORIES

LED Strip Light

Application -

LED Strip Lights have a compact design to provide interior lighting for smaller enclosures.

Construction -

- Magnets provided for quick installation to any surface inside the enclosure, also provided with clips that can be mechanically fastened.
- Wire connector for direct power supply wiring.
- Feed in / Feed out Push Fit Connector on each end of fixture.
- Daisy chain multiple lights continuously up to 16 lights AC or 8 lights DC.
- Combined AC and DV voltage range in one light 24 VDC to 265 VAC 50/60 Hz.
- ON/OFF switch or motion sensor available.
- 6500K Cool White
- 400 Lumens

IS24 - Industry Standards -
UL Component Recognized

GENERAL ACCESSORIES

Mechanical Interlock

Designed for use with Enviroline® two-door enclosures to interlock the master door to the slave door.

***For use on enclosures greater than 30" in height with a center channel.**

Mechanical Interlock

Designed for use with two-door enclosures with SCE concealed hinges and with both doors hinged on the left to interlock the master door to the slave door.

***For use on enclosures greater than 30" in height with a center channel.**

Electrical Interlock

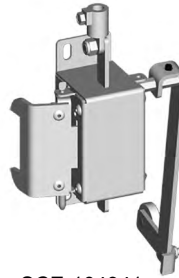
Designed to provide a safety lockout on an enclosure when the circuits are energized. UL recognized. Works with SCE hardware. For installation information, consult our Installation Manual at www.saginawcontrol.com.

Electrical Interlock Defeater

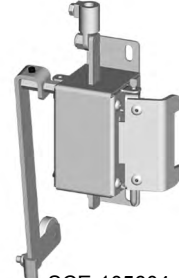
Designed to provide a key operated momentary contact switch with the contacts normally closed. Turning the key disengages the circuit to the electrical interlock, allowing access to the enclosure. May be used with SCE-E1151 Electrical Interlock. 4 amp, 125 vac.

IS24 - Industry Standards -
UL Component Recognized

Catalog No.	Description	Quantity Per Kit	Product Code	List Price
SCE-104941	Interlock for Left Door as Main	1	P2	143.31
SCE-105604	Interlock for Right Door as Main	1	P2	143.31

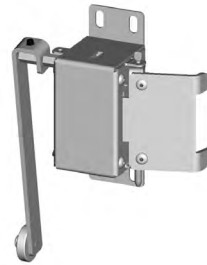


SCE-104941

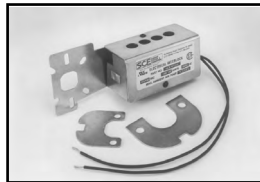


SCE-105604

Catalog No.	Quantity Per Kit	Product Code	List Price
SCE-103758	1	P2	143.31



Catalog No.	AMPS	Hz	Volt	Product Code	List Price
SCE-E1151	.100 / .63	50/60	115	P2	144.68



Catalog No.	AMPS	Hz	Volt	Product Code	List Price
SCE-EKDF	10	60	120	P2	36.21

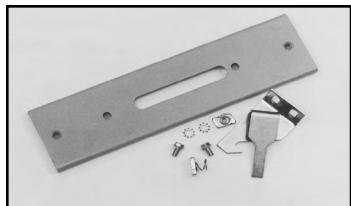


Phone (989) 799-6871
Fax (989) 799-4524



Your Enclosure Source®

Catalog No.	Description	Product Code	List Price
SCE-UA400V	"U" Style to 400 Amp Style	P2	47.19
SCE-UAV	"U" Style to V Style	P2	47.19



Catalog No.	Description	Product Code	List Price
SCE-ABDCP	Carbon Steel for Allen-Bradley F/D Cutout	P2	42.22
SCE-DCP	Carbon Steel for Standard SCE Cutout	P2	42.22
SCE-DCPSS	Stainless Steel for Standard SCE Cutout	P2	53.40

GENERAL ACCESSORIES

Disconnect Adapter Kit

Designed to convert a SCE - (U) style enclosure to a (V) style. Will accept the following: Allen-Bradley 1494V; Culter-Hammer C361/C371; General Electric Type TDA; ITE Max-Flex FHOH; Square D Class 9422. For Installation information consult our Installation Manual at www.saginawcontrol.com. Made of heavy gauge steel and powder coated ANSI-61 gray.

Blank Disconnect Cover Plate

Designed to cover disconnect cutouts in the flange of the enclosure and has an oil-resistant gasket to seal against oil, dust, dirt, and water. Made of heavy gauge steel and powder coated ANSI-61 gray. Stainless plate is made of Type 304 stainless with #4 brushed finish.

GENERAL ACCESSORIES

Oil Tight Hole Seals

Extra push button holes can be sealed against dust, dirt, oil, and water with a SCE hole seal. Seals will cover most pushbutton hole sizes. Hole seals come with oil-resistant gasket, #10-32 x 3/8" stud, zinc plated wing nut and plated steel back plate. Available in stainless steel or powder coated finish.

IS20 - Industry Standard

UL Recognized 3, 3R, 4, 4X & 12
IEC 60529 IP56

Hole Seals

Extra pushbutton holes can be sealed against dust, dirt, oil and water. Hole seals are made of corrosion and UV resistant fiberglass, and supplied with gasket and backing nut.

UL recognized 3R, 4, 4X, 12, 6P
IEC tested to IP66 and IP68

Hole Seal

Designed to seal 2 inch square opening against dust, dirt, oil, and water. Hole seals are made of corrosion and UV resistant Polycarbonate material, supplied with adhesive gasket backing for quick, simple installation.

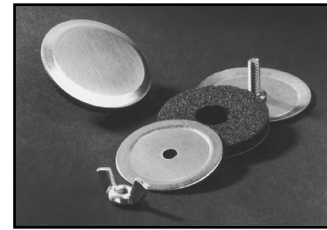
IS20 - Industry Standard

UL Recognized 3, 3R, 4, 4X & 12
IEC 60529 IP56

Catalog No.	Description	Diameter Inch	Diameter mm	Max. Hole Diameter Inch	Max. Hole Diameter mm	Quantity Per Kit	Product Code	List Price
SCE-ASPB-09	Steel - ANSI-61 Gray	1.75	44	1.25	30	1	P2	5.13
SCE-ASPBG-09	Steel - ANSI-61 Gray	1.22	31	.875	22	1	P2	3.63
SCE-ASPBG-RAL7035	Steel - RAL 7035 Gray	1.75	44	1.25	30	1	P2	3.63
SCE-ASPB-RAL7035	Steel - RAL 7035 Gray	1.22	31	.875	22	1	P2	5.13
SCE-ASPB-05	Steel - SCE-05 White	1.75	44	1.25	30	1	P2	5.13
SCE-ASPBG-05	Steel - SCE-05 White	1.22	31	.875	22	1	P2	3.63
SCE-ASPB-SS	Stainless Steel	1.75	44	1.25	30	1	P2	19.13
SCE-ASPBG-SS	Stainless Steel	1.22	31	.875	22	1	P2	17.88

Bulk Parts - 25 Kits per Package

SCE-ASPB-09-25	Steel - ANSI-61 Gray	1.75	44	1.25	30	25	V1	102.60
SCE-ASPBG-09-25	Steel - ANSI-61 Gray	1.22	31	.875	22	25	V1	72.60



Catalog No.	Outside Diameter	Min. Hole Size	Max. Hole Size	Product Code	List Price
SCE-HPSERIES1	1.00	0.50	0.81	P2	9.27
SCE-HPSERIES15	1.20	0.88	0.88	P2	10.29
SCE-HPSERIES2	1.50	1.00	1.28	P2	10.67
SCE-HPSERIES3	2.00	1.38	1.75	P2	18.60
SCE-HPSERIES4	2.75	2.00	2.56	P2	23.62

Bulk Parts - 25 Kits per Package

SCE-HPSERIES2-25	1.50	1.00	1.28	V1	208.20
------------------	------	------	------	----	--------



Catalog No.	Height (A)	Width (B)	Depth (C)	For Hole Dimension	Product Code	List Price
SCE-HS2S	3.00	3.00	0.19	2 inch Square	P2	5.66



Phone (989) 799-6871
Fax (989) 799-4524



NOTES



Your Enclosure Source®

Phone (989) 799-6871
Fax (989) 799-4524

- 1 Operator System Enclosures
- 2 Wall-Mount Enclosures
- 3 Free-Standing & Floor-Mounted Enclosures
- 4 Modular Enclosures
- 5 Operator System Enclosures (Stainless Steel)
- 6 Wall-Mount Enclosures (Stainless Steel)
- 7 Free-Standing & Floor-Mounted Enclosures (Stainless Steel)
- 8 Non-Metallic Enclosures
- 9 General Accessories
- 10 Technical Information
- 11 Index

Suspension System

Application -

Designed for use with the SCE HMI enclosures, allows operators to easily move or position an HMI to an ergonomic and comfortable working position. Heavy duty and reliable construction. Suspension Systems can be assembled in a multitude of configurations that allow for machine mount, wall mount, top mount, and floor mount options. For Installation instructions consult our installation manual at www.saginawcontrol.com.

Construction -

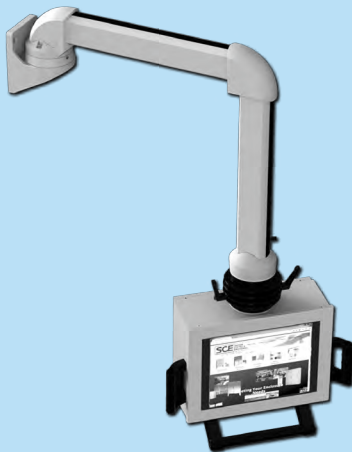
- Cast aluminum couplings.
- Extruded aluminum tubes (6060T66).
- Rotating couplings have adjustable tensioner brakes to control movement while in use.
- Rigid, durable bearings in all rotating couplings withstand the stress of continuous use.
- Open or closed tube design.
- Open tube allows for easy access to lay in wiring, with easy to install push fit rubber cover.
- Closed tube acts as conduit for feeding wiring.
- Removable access covers on all couplings with 90 degree turn.
- Hardware and gasket included for installation of coupling to tube.

Finish -

RAL 7035 powder coated finish.

Industry Standards -

NEMA Type 12
IEC 60529 IP55



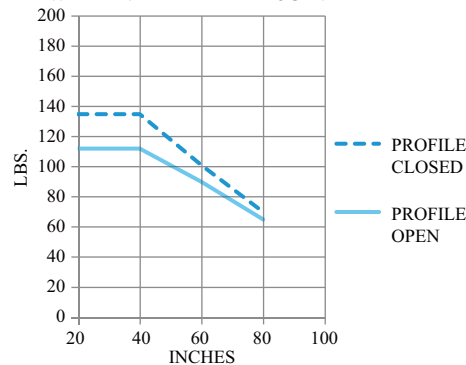
SUSPENSION SYSTEM

Catalog No.	Description	Height (A)	Width (B)	Depth (C)	Price Code	List Price
SCE-SA45IA	Inclining Adapter 45 deg	4.33	9.29	6.38	C3	467.74
SCE-SA320AC	Angle Coupling, 320 Swivel	5.89	5.08	5.08	C3	259.87
SCE-SAFC	Fixed Coupling	1.85	5.08	5.08	C3	108.38
SCE-SA360C	Coupling, 360 Swivel	4.00	6.00	6.00	C3	201.12
SCE-SATFS	Turnable Foot Stand, 360 Swivel	1.34	5.75	5.75	C3	199.30
SCE-SAFFS	Floor Stand Fixed	1.93	7.68	5.71	C3	103.97
SCE-SA90A	Angle 90 deg	6.00	6.00	4.00	C3	129.98
SCE-SA230WH	Wall Hinge, 230 Swivel	9.94	5.43	6.83	C3	422.96
SCE-SA310IJ	Intermediate Joint, 310 Swivel	11.46	5.35	6.34	C3	508.61
SCE-SA310IJD	Intermediate Joint, 310 Swivel Down Drop	11.46	5.35	6.34	C3	508.61
SCE-SA310TMJ	Top Mounted Joint, 310 Swivel	7.17	5.71	7.68	C3	371.04
SCE-SA79TC	Closed Tube Suspension Profile	78.74	2.56	3.54	C3	334.40
SCE-SA39TC	Closed Tube Suspension Profile	39.37	2.56	3.54	C3	184.86
SCE-SA20TC	Closed Tube Suspension Profile	19.69	2.56	3.54	C3	116.19
SCE-SA79T	Open Tube Suspension Profile	78.74	2.56	3.54	C3	429.50
SCE-SA39T	Open Tube Suspension Profile	39.37	2.56	3.54	C3	226.05
SCE-SA20T	Open Tube Suspension Profile	19.69	2.56	3.54	C3	143.33

Suspension Systems parts cannot be custom painted

LOAD DIAGRAMS

WITH INTERMEDIATE JOINT



With Intermediate Joint - Max. Tube Length:

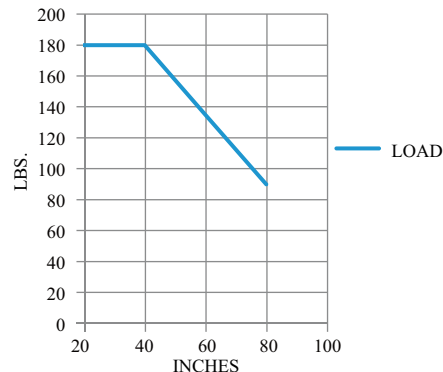
Profile Closed:

- 60" distance between wall hinge, top mounted joint and intermediate joint - or -
 - 60" distance between angle and intermediate joint
- Complete length max. 80"

Profile Open:

- 40" distance between wall hinge, top mounted joint and intermediate joint - or -
 - 40" distance between angle and intermediate joint
- Complete length max. 80"

WITHOUT INTERMEDIATE JOINT



Phone (989) 799-6871
Fax (989) 799-4524

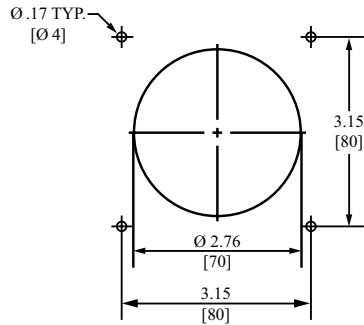


SUSPENSION SYSTEM TECHNICAL DATA

SCE-S AFC



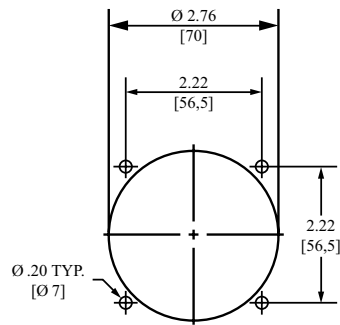
ENCLOSURE MOUNTING
HOLE PATTERN



SCE-SA360C



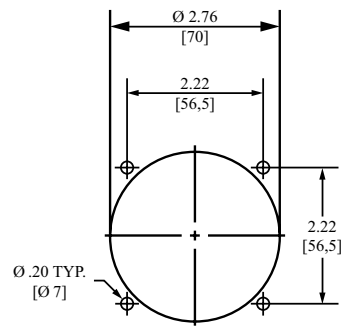
ENCLOSURE MOUNTING
HOLE PATTERN



SCE-SA45IA



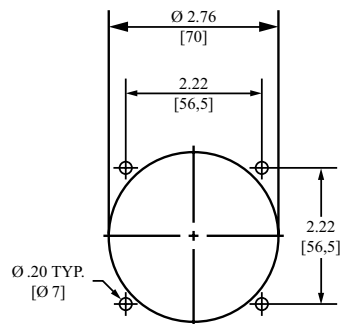
ENCLOSURE MOUNTING
HOLE PATTERN



SCE-SA320AC

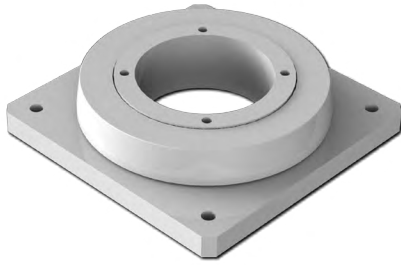


ENCLOSURE MOUNTING
HOLE PATTERN

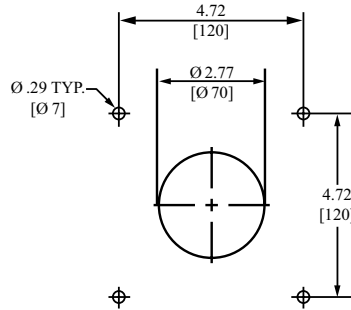


SUSPENSION SYSTEM TECHNICAL DATA

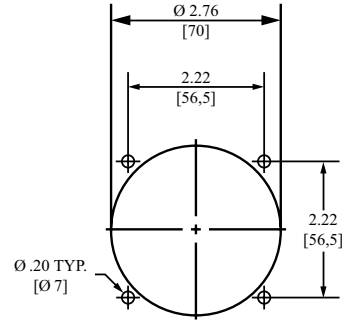
SCE-SATFS



**BASE MOUNTING
HOLE PATTERN**



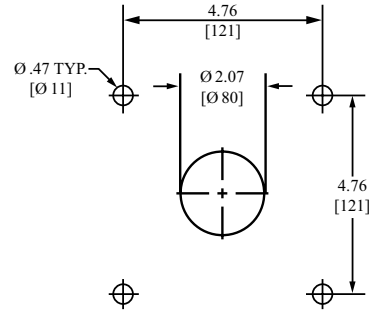
**ENCLOSURE MOUNTING
HOLE PATTERN**



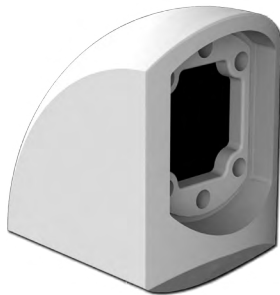
SCE-SAFFS



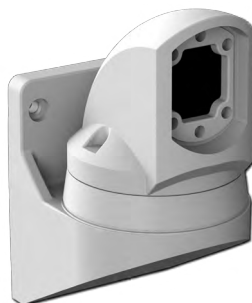
**BASE MOUNTING
HOLE PATTERN**



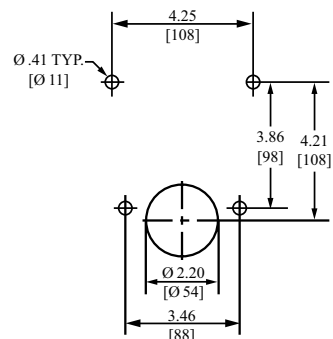
SCE-SA90A



SCE-SA230WH

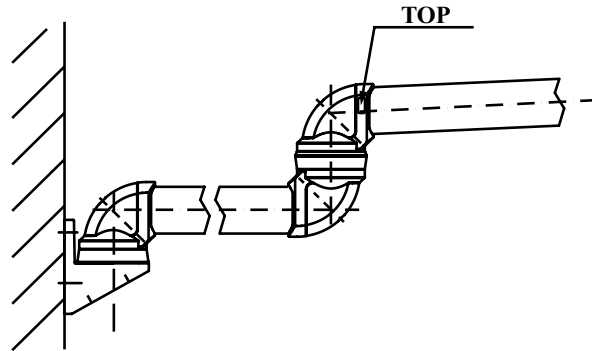


**BASE MOUNTING
HOLE PATTERN**

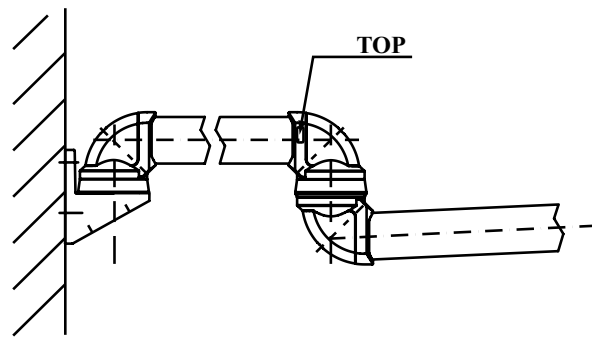
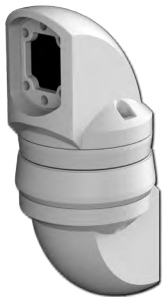


SUSPENSION SYSTEM TECHNICAL DATA

SCE-SA310IJ



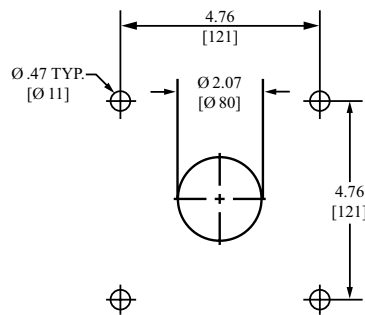
SCE-SA310IJD



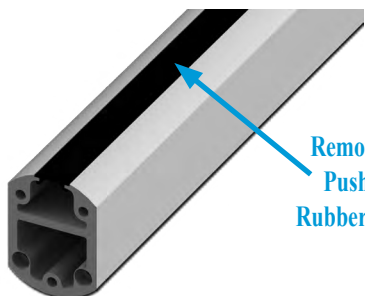
SCE-SA310TMJ



**BASE MOUNTING
HOLE PATTERN**



SCE-SA**T



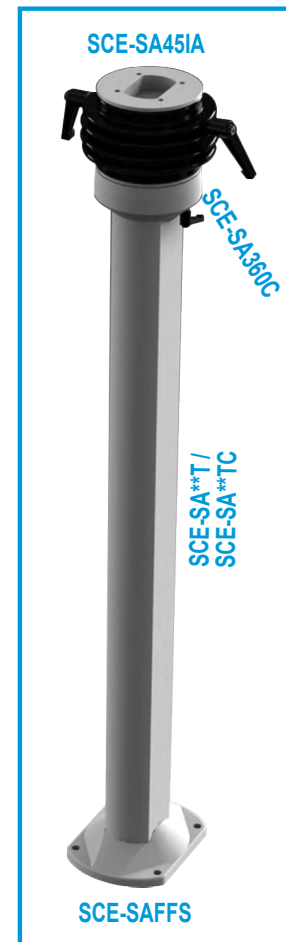
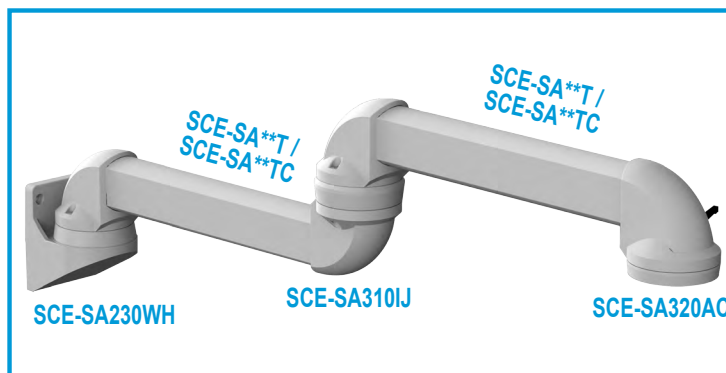
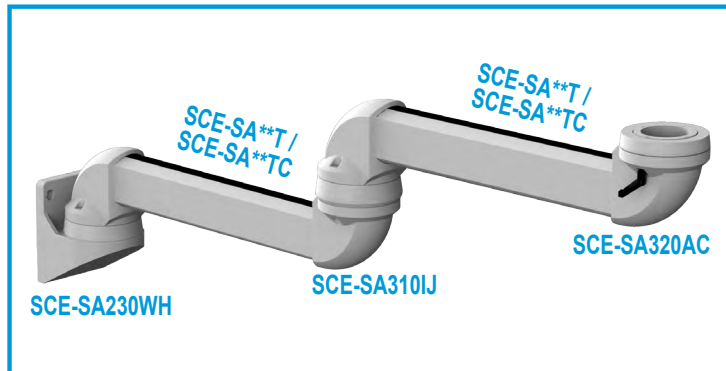
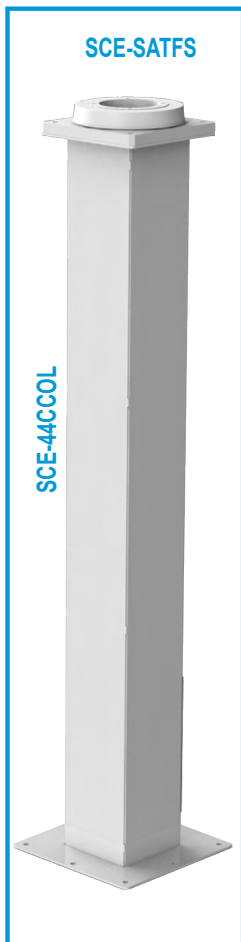
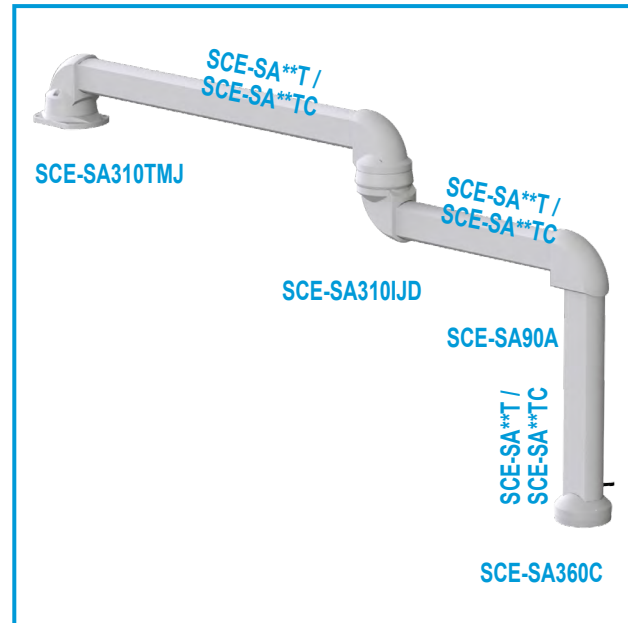
Removable
Push Fit
Rubber Cover

SCE-SA**TC



M8 Threaded
Holes (x4)

POSSIBLE SUSPENSION SYSTEM CONFIGURATIONS



MOUNTING OPTIONS

EL Flush Mount Frame

Flush Mount Frames are designed for use with the Enviroline® Series Wall-Mount Enclosures, quickly converting the wall-mount enclosure to a flush mount enclosure.

Two part numbers are required to complete the assembly: one part number for the height of the enclosure and one part number for the width of the enclosure.

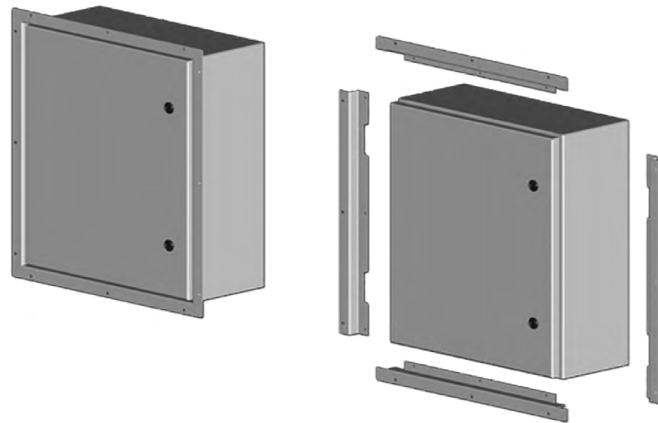
All kits are provided with hardware to assemble the frame to the enclosure and maintain the environmental rating of the enclosure. For technical information, consult our Installation Manual at www.saginawcontrol.com.

Frame is made of heavy gauge steel and finished with ANSI-61 gray powder coat. "SS" parts are made of heavy gauge Type 316/316L stainless steel with #4 brushed finish.

Wall Mount Standoffs

Wall mount standoffs are intended to provide space between a wall-mount enclosure and the wall for better wash down accessibility that is required in some applications. Provided with silicone seals to maintain seal between the standoff and the mounting surfaces. Maintains Type 4X rating. Four standoffs and eight silicone seals per kit.

Catalog No.	Enclosure Height	Enclosure Width	Product Code	List Price
SCE-ELFM12H	12.00		P2	51.20
SCE-ELFM16H	16.00		P2	54.47
SCE-ELFM20H	20.00		P2	56.85
SCE-ELFM24H	24.00		P2	60.89
SCE-ELFM30H	30.00		P2	64.95
SCE-ELFM36H	36.00		P2	70.16
SCE-ELFM12HSS	12.00		P2	122.88
SCE-ELFM16HSS	16.00		P2	130.73
SCE-ELFM20HSS	20.00		P2	136.44
SCE-ELFM24HSS	24.00		P2	146.14
SCE-ELFM30HSS	30.00		P2	155.88
SCE-ELFM36HSS	36.00		P2	168.38
SCE-ELFM12W		12.00	P2	47.10
SCE-ELFM16W		16.00	P2	50.33
SCE-ELFM20W		20.00	P2	52.75
SCE-ELFM24W		24.00	P2	56.79
SCE-ELFM30W		30.00	P2	60.85
SCE-ELFM36W		36.00	P2	66.10
SCE-ELFM12WSS		12.00	P2	113.04
SCE-ELFM16WSS		16.00	P2	120.79
SCE-ELFM20WSS		20.00	P2	126.60
SCE-ELFM24WSS		24.00	P2	136.60
SCE-ELFM30WSS		30.00	P2	146.04
SCE-ELFM36WSS		36.00	P2	158.64



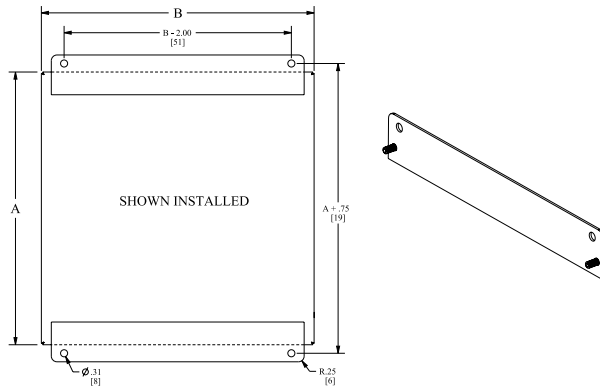
Catalog No.	Length	Product Code	List Price
SCE-WMS1SS	1.00	P2	77.81
SCE-WMS2SS	2.00	P2	104.51
SCE-WMS3SS	3.00	P2	131.21
SCE-WMS4SS	4.00	P2	157.91



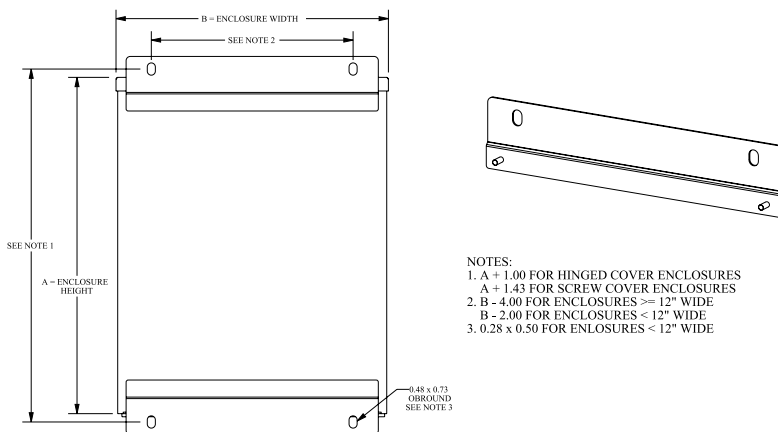
Phone (989) 799-6871
Fax (989) 799-4524



Catalog No.	For Use With	Product Code	List Price
SCE-NMST6	6 Inch Wide NEMA 1 Enclosure	P2	15.98
SCE-NMST8	8 Inch Wide NEMA 1 Enclosure	P2	17.04
SCE-NMST10	10 Inch Wide NEMA 1 Enclosure	P2	18.10
SCE-NMST12	12 Inch Wide NEMA 1 Enclosure	P2	19.17
SCE-NMST16	16 Inch Wide NEMA 1 Enclosure	P2	21.30
SCE-NMST20	20 Inch Wide NEMA 1 Enclosure	P2	23.42
SCE-NMST24	24 Inch Wide NEMA 1 Enclosure	P2	25.56



Catalog No.	For Use With	Product Code	List Price
SCE-MST4	4 Inch Wide 3R Enclosure	P2	17.04
SCE-MST6	6 Inch Wide 3R Enclosure	P2	18.10
SCE-MST8	8 Inch Wide 3R Enclosure	P2	19.17
SCE-MST10	10 Inch Wide 3R Enclosure	P2	20.24
SCE-MST12	12 Inch Wide 3R Enclosure	P2	21.30
SCE-MST16	16 Inch Wide 3R Enclosure	P2	23.42
SCE-MST20	20 Inch Wide 3R Enclosure	P2	25.56
SCE-MST24	24 Inch Wide 3R Enclosure	P2	27.69



Catalog No.	For Use With	Product Code	List Price
SCE-VRMS24	24 Inch Wide Vented 3R Enclosure	P2	42.67
SCE-VRMS36	36 Inch Wide Vented 3R Enclosure	P2	53.21

MOUNTING OPTIONS

Type 1 Mounting Straps

Designed to install on wall-mount Type 1 enclosures. Two mounting straps per kit. Made of heavy gauge carbon steel, powder coated ANSI-61 gray. Hardware is included to fasten mounting strap kit to the enclosure. For installation information, consult our Installation Manual at www.saginawcontrol.com.

Provided with UL Recognized sealing washer to maintain Environmental Rating of the enclosure.

Type 3R Mounting Straps

Designed to install on wall-mount Type 3R enclosures. Two mounting straps per kit. Made of heavy gauge carbon steel, powder coated ANSI-61 gray. Hardware is included to fasten mounting strap kit to the enclosure. For installation information, consult our Installation Manual at www.saginawcontrol.com.

Provided with UL Recognized sealing washer to maintain Environmental Rating of the enclosure.

Mounting Straps For Vented 3R Enclosures

Designed to install on wall-mount Vented 3R enclosures. Two mounting straps per kit. Made of heavy gauge carbon steel, powder coated white. Hardware is included to fasten mounting strap kit to the enclosure.

Provided with UL Recognized sealing washer to maintain Environmental Rating of the enclosure.

MOUNTING OPTIONS

Lifting Lugs

Lifting lugs are designed to be mounted to the left and right side of a standard wall-mount type enclosure for easy handling of fully wired enclosures. Mounting hardware is included. UL Recognized sealing washers supplied to maintain UL ratings of Type 3R, 4, 4X and 12.

Casters

Set of 4 casters. Swivel casters have ball bearing pivots and brakes. Load rating 250 lbs for each caster. For technical information, consult our Installation Manual at www.saginawcontrol.com.

Leveling Pads

Designed to attach to the bottom of the enclosure to allow for adjustments for uneven floors. Pads are zinc plated with a plastic base.

Angle Iron Mounting Feet

Designed for use with free-standing type enclosures when the enclosure must be secured to a concrete floor or base. Two angle iron-mounting feet per kit. Made of heavy gauge carbon steel powder coated ANSI-61 gray. Hardware is included to fasten mounting foot kit to the enclosure.

Provided with UL Recognized sealing washer to maintain Environmental Rating of the enclosure.

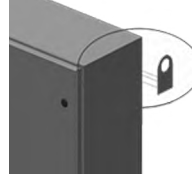
Heavy Duty Mounting Kit for Free-Standing / Wall-Mount Enclosures

Designed for use on SCE Multi-Door Free-Standing/Wall-Mount enclosures. Four mounting feet per kit, made of heavy gauge carbon steel with a black textured finish. Hardware is included to fasten mounting kit to the enclosure.

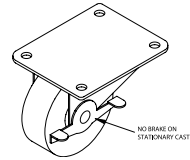
Catalog No.	Description	Quantity Per Kit	Product Code	List Price
SCE-LLB5	Steel, Zinc Plated	2	P2	26.55
SCE-LLB5SS	316 Stainless Steel, #4 Brush Finish	2	P2	39.86
SCE-LLB7	For Use with Vented 3R Enclosures Steel, Powder Coated White	2	P2	30.32

Bulk Parts

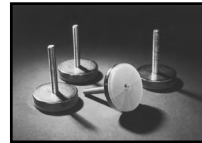
SCE-LLB5-25	Steel Zinc Plated	25 sets of 2	V1	457.78
-------------	-------------------	--------------	----	--------



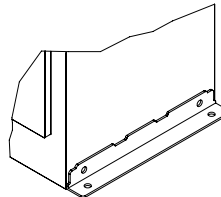
Catalog No.	Description	Size of Wheel	Product Code	List Price
SCE-CAKR	Set of 4 - 2 Rigid, 2 Swivel	3"	P2	109.28
SCE-CAKS	Set of 4 Swivel Casters	3"	P2	136.60
SCE-CAKR4	Set of 4 - 2 Rigid, 2 Swivel	4"	P2	163.91
SCE-CAKS4	Set of 4 Swivel Casters	4"	P2	191.23



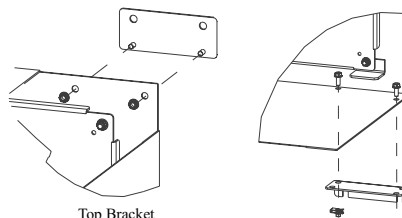
Catalog No.	Quantity Per Kit	Thread Size	Height	Product Code	List Price
SCE-LPD2	4	3/8 - 16	2.00	P2	37.25



Catalog No.	Used on Enclosure Depth	Product Code	List Price
SCE-XMAIMF18	18"	P2	38.34
SCE-XMAIMF20	20"	P2	42.60
SCE-XMAIMF24	24"	P2	51.12



Catalog No.	Description	Quantity Per Kit	Product Code	List Price
SCE-HDWMK	Mounting Kit for use with Multi-Door Free-Standing / Wall-Mount Enclosures	4	P2	78.54



Phone (989) 799-6871
Fax (989) 799-4524



MOUNTING OPTIONS

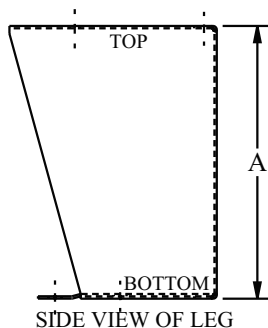
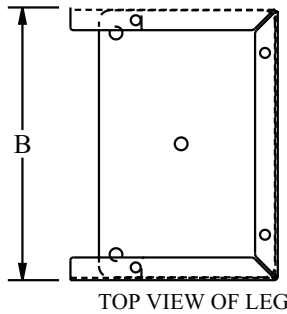
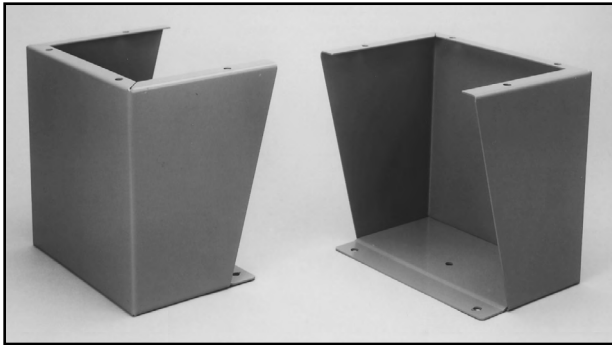
Floor Stand Kit

Can be installed on most wall-mounted enclosures with a width of 20 inches or more. Can also be installed on SCE free-standing enclosures. Kits include two stands. This configuration can be ordered in special sizes. Consult a factory representative for price and delivery. For specifications, consult our Installation Manual at www.saginawcontrol.com.

Made of carbon steel and finished with ANSI-61 recoatable gray finish. "LG" parts finished RAL 7035 Gray.

Catalog No.	Height (A)	Width (B)	Finish	Product Code	List Price
SCE-FK0418	4.00	18.00	ANSI-61 Gray	P2	147.90
SCE-FK0608	6.00	8.00	ANSI-61 Gray	P2	111.76
SCE-FK0610	6.00	10.00	ANSI-61 Gray	P2	116.72
SCE-FK0612	6.00	12.00	ANSI-61 Gray	P2	131.63
SCE-FK0618	6.00	18.00	ANSI-61 Gray	P2	153.98
SCE-FK0624	6.00	24.00	ANSI-61 Gray	P2	178.81
SCE-FK1208	12.00	8.00	ANSI-61 Gray	P2	139.08
SCE-FK1210	12.00	10.00	ANSI-61 Gray	P2	146.53
SCE-FK1212	12.00	12.00	ANSI-61 Gray	P2	153.98
SCE-FK1216	12.00	16.00	ANSI-61 Gray	P2	178.81
SCE-FK1218	12.00	18.00	ANSI-61 Gray	P2	186.27
SCE-FK1220	12.00	20.00	ANSI-61 Gray	P2	196.20
SCE-FK1224	12.00	24.00	ANSI-61 Gray	P2	201.17
SCE-FK1512	15.00	12.00	ANSI-61 Gray	P2	178.81
SCE-FK1516	15.00	16.00	ANSI-61 Gray	P2	186.27
SCE-FK1518	15.00	18.00	ANSI-61 Gray	P2	202.77
SCE-FK1524	15.00	24.00	ANSI-61 Gray	P2	221.04
SCE-FK1808	18.00	8.00	ANSI-61 Gray	P2	168.89
SCE-FK1810	18.00	10.00	ANSI-61 Gray	P2	178.81
SCE-FK1812	18.00	12.00	ANSI-61 Gray	P2	186.27
SCE-FK1816	18.00	16.00	ANSI-61 Gray	P2	206.14
SCE-FK1824	18.00	24.00	ANSI-61 Gray	P2	260.78
SCE-FK2412	24.00	12.00	ANSI-61 Gray	P2	196.93
SCE-FK0418LG	4.00	18.00	RAL 7035 Gray	P2	147.90
SCE-FK0608LG	6.00	8.00	RAL 7035 Gray	P2	111.76
SCE-FK0610LG	6.00	10.00	RAL 7035 Gray	P2	116.72
SCE-FK0612LG	6.00	12.00	RAL 7035 Gray	P2	131.63
SCE-FK0618LG	6.00	18.00	RAL 7035 Gray	P2	153.98
SCE-FK0624LG	6.00	24.00	RAL 7035 Gray	P2	178.81
SCE-FK1208LG	12.00	8.00	RAL 7035 Gray	P2	139.08
SCE-FK1210LG	12.00	10.00	RAL 7035 Gray	P2	146.53
SCE-FK1212LG	12.00	12.00	RAL 7035 Gray	P2	153.98
SCE-FK1216LG	12.00	16.00	RAL 7035 Gray	P2	178.81
SCE-FK1218LG	12.00	18.00	RAL 7035 Gray	P2	186.27
SCE-FK1220LG	12.00	20.00	RAL 7035 Gray	P2	196.20
SCE-FK1224LG	12.00	24.00	RAL 7035 Gray	P2	201.17
SCE-FK1512LG	15.00	12.00	RAL 7035 Gray	P2	178.81
SCE-FK1516LG	15.00	16.00	RAL 7035 Gray	P2	186.27
SCE-FK1518LG	15.00	18.00	RAL 7035 Gray	P2	202.77
SCE-FK1524LG	15.00	24.00	RAL 7035 Gray	P2	221.04
SCE-FK1808LG	18.00	8.00	RAL 7035 Gray	P2	168.89
SCE-FK1810LG	18.00	10.00	RAL 7035 Gray	P2	178.81
SCE-FK1812LG	18.00	12.00	RAL 7035 Gray	P2	186.27
SCE-FK1816LG	18.00	16.00	RAL 7035 Gray	P2	206.14
SCE-FK1824LG	18.00	24.00	RAL 7035 Gray	P2	260.78
SCE-FK2412LG	24.00	12.00	RAL 7035 Gray	P2	196.93

Catalog No.	Height (A)	Width (B)	Finish	Product Code	List Price
SCE-FK1208SS	12.00	8.00	#4 Brushed Finish	P2	379.99
SCE-FK1210SS	12.00	10.00	#4 Brushed Finish	P2	409.79
SCE-FK1212SS	12.00	12.00	#4 Brushed Finish	P2	437.11
SCE-FK1216SS	12.00	16.00	#4 Brushed Finish	P2	496.72
SCE-FK1218SS	12.00	18.00	#4 Brushed Finish	P2	524.03
SCE-FK1224SS	12.00	24.00	#4 Brushed Finish	P2	552.60
SCE-FK1512SS	15.00	12.00	#4 Brushed Finish	P2	536.45
SCE-FK1518SS	15.00	18.00	#4 Brushed Finish	P2	584.89
SCE-FK1524SS	15.00	24.00	#4 Brushed Finish	P2	618.41
SCE-FK1818SS	18.00	18.00	#4 Brushed Finish	P2	600.38
SCE-FK2410SS	24.00	10.00	#4 Brushed Finish	P2	581.16
SCE-FK2412SS	24.00	12.00	#4 Brushed Finish	P2	608.48
SCE-FK1212SS6	12.00	12.00	#4 Brushed Finish	P2	524.53
SCE-FK1218SS6	12.00	18.00	#4 Brushed Finish	P2	628.84
SCE-FK1224SS6	12.00	24.00	#4 Brushed Finish	P2	663.12
SCE-FK1512SS6	15.00	12.00	#4 Brushed Finish	P2	643.74
SCE-FK1518SS6	15.00	18.00	#4 Brushed Finish	P2	701.87
SCE-FK1524SS6	15.00	24.00	#4 Brushed Finish	P2	742.09
SCE-FK2412SS6	24.00	12.00	#4 Brushed Finish	P2	730.18



MOUNTING OPTIONS

Floor Stand Kit – Stainless Steel

Can be installed on most wall-mounted enclosures with a width of 20 inches or more. Can also be installed on SCE free-standing enclosures. Kits include two stands. This configuration can be ordered in special sizes. Consult a factory representative for price and delivery. For specifications, consult our Installation Manual at www.saginawcontrol.com.

“SS” parts are made of stainless steel Type 304 with #4 brushed finish. “SS6” parts are made of stainless steel Type 316/316L with #4 brushed finish

MOUNTING OPTIONS

Skirt Panels

Application -

Designed for use with standard floor stand kits, to restrict access or conceal the area under the enclosure. Louvered skirts available to conceal transformers or other devices in this area while allowing air circulation. Heavy gauge construction. Each skirt panel will fit a range of enclosure widths. Installed by drilling holes in floor stand kit (not included). Skirt Kit includes two panels and mounting hardware. For technical information, consult our Installation Manual at www.saginawcontrol.com

Material -

Carbon Steel, Powder Coated ANSI-61 Gray "SS" - Type 304 Stainless Steel, #4 Brushed Finish on all exterior surfaces



Catalog No.	Height (A)	Width (B)	Min Enclosure Width	Max Enclosure Width	Product Code	List Price
SCE-SK123644	12.00	35.75	36.00	44.00	P2	177.96
SCE-SK124856	12.00	47.75	48.00	56.00	P2	212.52
SCE-SK126068	12.00	59.75	60.00	68.00	P2	247.08
SCE-SK127280	12.00	71.75	72.00	80.00	P2	281.64
SCE-SK153644	15.00	35.75	36.00	44.00	P2	203.70
SCE-SK154856	15.00	47.75	48.00	56.00	P2	246.90
SCE-SK156068	15.00	59.75	60.00	68.00	P2	290.10
SCE-SK157280	15.00	71.75	72.00	80.00	P2	333.30

Louvered

SCE-SKL123644	12.00	35.75	36.00	44.00	P2	227.96
SCE-SKL124856	12.00	47.75	48.00	56.00	P2	262.52
SCE-SKL126068	12.00	59.75	60.00	68.00	P2	297.08
SCE-SKL127280	12.00	71.75	72.00	80.00	P2	331.64
SCE-SKL153644	15.00	35.75	36.00	44.00	P2	253.70
SCE-SKL154856	15.00	47.75	48.00	56.00	P2	296.90
SCE-SKL156068	15.00	59.75	60.00	68.00	P2	340.10
SCE-SKL157280	15.00	71.75	72.00	80.00	P2	383.30

Stainless Steel

SCE-SK123644SS	12.00	35.75	36.00	44.00	P2	332.40
SCE-SK124856SS	12.00	47.75	48.00	56.00	P2	418.80
SCE-SK126068SS	12.00	59.75	60.00	68.00	P2	505.20
SCE-SK127280SS	12.00	71.75	72.00	80.00	P2	591.60
SCE-SK153644SS	15.00	35.75	36.00	44.00	P2	396.75
SCE-SK154856SS	15.00	47.75	48.00	56.00	P2	504.75
SCE-SK156068SS	15.00	59.75	60.00	68.00	P2	612.75
SCE-SK157280SS	15.00	71.75	72.00	80.00	P2	770.75

Louvered

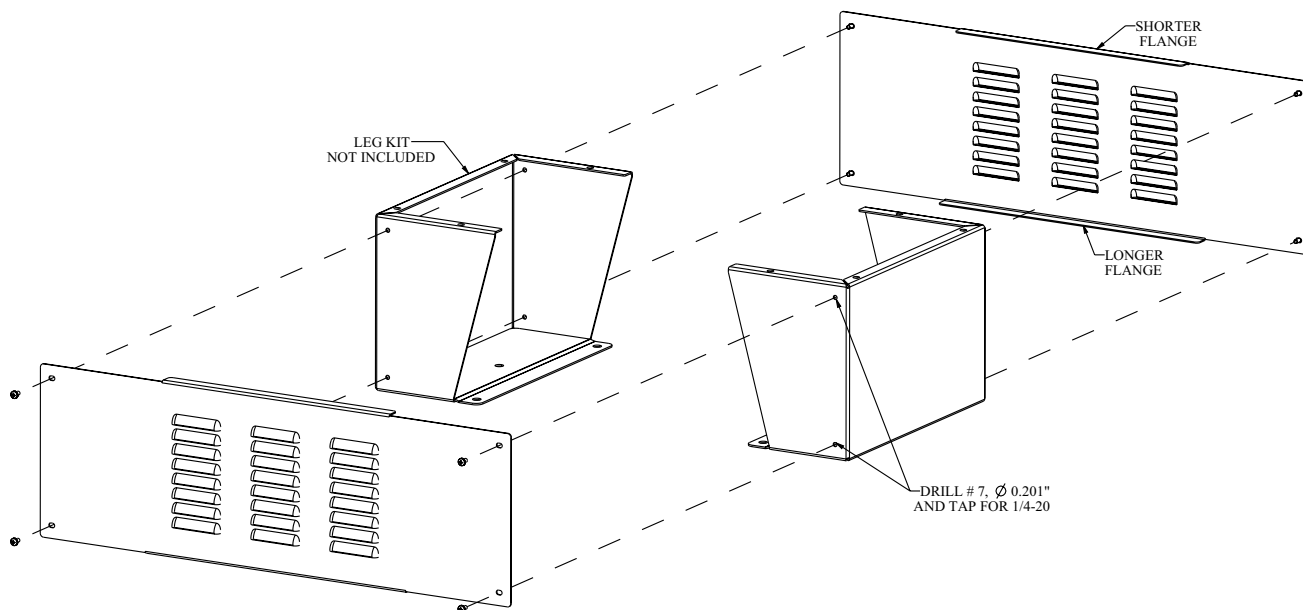
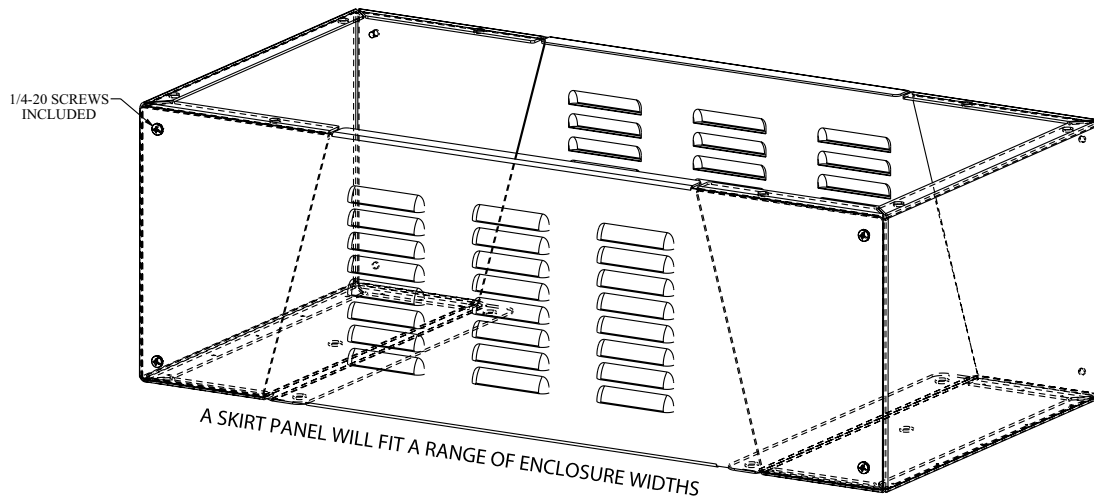
SCE-SKL123644SS	12.00	35.75	36.00	44.00	P2	382.40
SCE-SKL124856SS	12.00	47.75	48.00	56.00	P2	468.80
SCE-SKL126068SS	12.00	59.75	60.00	68.00	P2	555.20
SCE-SKL127280SS	12.00	71.75	72.00	80.00	P2	641.60
SCE-SKL153644SS	15.00	35.75	36.00	44.00	P2	446.75
SCE-SKL154856SS	15.00	47.75	48.00	56.00	P2	554.75
SCE-SKL156068SS	15.00	59.75	60.00	68.00	P2	662.75
SCE-SKL157280SS	15.00	71.75	72.00	80.00	P2	770.75

Phone (989) 799-6871
Fax (989) 799-4524



SKIRT PANEL INSTALLATION INFORMATION

1. INSTALL LEG KIT ON ENCLOSURE.
2. CENTER SKIRT PANEL BETWEEN LEGS WITH THE SHORTER FLANGE ON TOP.
3. USING THE SKIRT PANEL AS A TEMPLATE, DRILL A # 7 HOLE, $\varnothing 0.201$ " AND TAP FOR A 1/4-20 SCREW.



MOUNTING PANELS

Sub-Panels

Construction -

Sub-panels are constructed from carbon steel. Size determines steel thickness.

Finish -

Powder coated white.

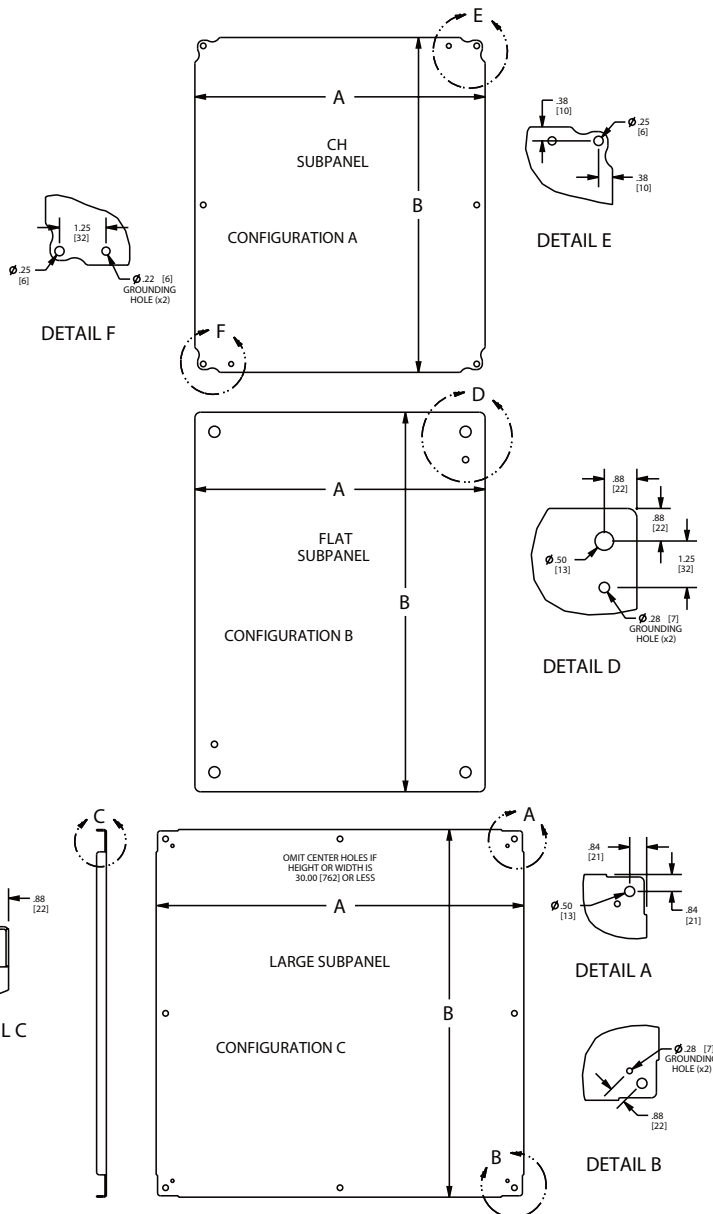
Options -

Configuration A - Add (SS) to the end of the sub-panel part number. (Example: SCE-12P10SS). Sub-panels are made of 316/316L stainless steel.

Configuration B & C - Add (SS) to the end of the sub-panel part number for 304 stainless steel (Example: SCE-30P30SS). Add (SS6) to the end of the sub-panel part number for 316/316L stainless steel (Example: SCE-30P30SS6).

Catalog No.	Height (A)	Width (B)	Configuration	Edge Flanges	Product Code	List Price
SCE-6P4	5.00	3.00	A	Flat	P3	3.01
SCE-6P6	5.00	5.00	A	Flat	P3	3.61
SCE-8P6	7.00	5.00	A	Flat	P3	4.17
SCE-8P8	7.00	7.00	A	Flat	P3	4.89
SCE-10P6	9.00	5.00	A	Flat	P3	4.89
SCE-10P8	9.00	7.00	A	Flat	P3	5.70
SCE-10P10	9.00	9.00	A	Flat	P3	6.73
SCE-12P6	11.00	5.00	A	Flat	P3	5.35
SCE-12P10	11.00	9.00	A	Flat	P3	7.72
SCE-12DLP12	9.00	9.00	B	Flat	P3	13.67
SCE-12P12	11.00	11.00	A	Flat	P3	9.08
SCE-12P24	9.00	21.00	C	Four	P3	27.86
SCE-14P6	13.00	5.00	A	Flat	P3	5.98
SCE-14P8	13.00	7.00	A	Flat	P3	7.39
SCE-14P12	13.00	11.00	A	Flat	P3	10.13
SCE-16P10	15.00	9.00	A	Flat	P3	9.90
SCE-16P12	13.00	9.00	B	Flat	P3	14.81
SCE-16PB12	15.00	11.00	A	Flat	P3	13.84
SCE-16DLP14	13.00	11.00	B	Flat	P3	17.72
SCE-16P14	15.00	13.00	A	Flat	P3	19.95
SCE-16P16	13.00	13.00	B	Flat	P3	24.57
SCE-18P16PC	16.88	14.88	A	Flat	P3	26.84
SCE-20P12	17.00	9.00	B	Flat	P3	23.14
SCE-20P16	17.00	13.00	B	Flat	P3	30.37
SCE-20P16JGALV	19.00	15.00	A	Flat	P3	29.18
SCE-20P18HMI	19.00	17.00	B	Flat	P3	33.23
SCE-20P20	17.00	17.00	C	Four	P3	35.44
SCE-20P20J	19.00	19.00	C	Four	P3	35.44
SCE-24P16	21.00	13.00	C	Four	P3	32.92
SCE-24P20	21.00	17.00	A	Flat	P3	45.57
SCE-24P24	21.00	21.00	C	Four	P3	53.18
SCE-24P24PC	22.75	22.75	C	Four	P3	39.97
SCE-30P16	27.00	13.00	C	Four	P3	45.57
SCE-30P20	27.00	17.00	C	Four	P3	55.70
SCE-30P24	27.00	21.00	C	Four	P3	63.29
SCE-30P30	27.00	27.00	C	Four	P3	83.55
SCE-36P16	33.00	13.00	C	Four	P3	53.18
SCE-36P24	33.00	21.00	C	Four	P3	75.96
SCE-36P30	33.00	27.00	C	Four	P3	101.27
SCE-36P36	33.00	33.00	C	Four	P3	118.99
SCE-36P52	32.00	48.00	C	Four	P3	161.54
SCE-40P24	37.00	21.00	C	Four	P3	86.08
SCE-42P24	39.00	21.00	C	Four	P3	91.14
SCE-42P30	39.00	27.00	C	Four	P3	116.47
SCE-42P36	39.00	33.00	C	Four	P3	136.72
SCE-42P42	39.00	39.00	C	Four	P3	156.97
SCE-42P52	38.00	48.00	C	Four	P3	209.39
SCE-48P24	45.00	21.00	C	Four	P3	98.74
SCE-48P30	45.00	27.00	C	Four	P3	129.13
SCE-48P36	45.00	33.00	C	Four	P3	154.46
SCE-48P37	44.00	34.00	C	Four	P3	148.54
SCE-48P42	45.00	39.00	C	Four	P3	177.24
SCE-48P48	44.00	44.00	C	Four	P3	212.67
SCE-48P76	44.00	72.00	C	Four	P3	351.48
SCE-60P24	57.00	21.00	C	Four	P3	129.13
SCE-60P30	57.00	27.00	C	Four	P3	159.52
SCE-60P36	57.00	33.00	C	Four	P3	189.89
SCE-60PC36	55.63	33.00	C	Four	P3	181.41

Catalog No.	Height (A)	Width (B)	Configuration	Edge Flanges	Product Code	List Price
SCE-60P42	57.00	39.00	C	Four	P3	265.85
SCE-60BFP42	56.00	38.00	C	Four	P3	230.41
SCE-60P48	56.00	44.00	C	Four	P3	268.38
SCE-60P60	56.00	56.00	C	Four	P3	331.68
SCE-60P76	56.00	72.00	C	Four	P3	411.28
SCE-64P25	60.00	21.75	C	Four	P3	159.52
SCE-64P31	60.00	27.75	C	Four	P3	167.11
SCE-64P37	60.00	33.75	C	Four	P3	182.30
SCE-64P52	60.00	48.00	C	Four	P3	334.21
SCE-64P64	60.00	60.00	C	Four	P3	362.06
SCE-64P76	60.00	72.00	C	Four	P3	425.36
SCE-72P30	69.00	27.00	C	Four	P3	210.15
SCE-72P36	69.00	33.00	C	Four	P3	225.33
SCE-72P48	68.00	44.00	C	Four	P3	348.54
SCE-72P60	68.00	56.00	C	Four	P3	394.98
SCE-72P72	68.00	68.00	C	Four	P3	470.93
SCE-76P37	72.00	33.75	C	Four	P3	250.65
SCE-76P76	72.00	72.00	C	Four	P3	498.78



MOUNTING PANELS

Sub-Panels

Construction -

Sub-panels are constructed from carbon steel. Size determines steel thickness.

Finish -

Powder coated white.

Options -

Configuration A - Add (SS) to the end of the sub-panel part number. (Example: SCE-12P10SS). Sub-panels are made of 316/316L stainless steel.

Configuration B & C - Add (SS) to the end of the sub-panel part number for 304 stainless steel (Example: SCE-30P30SS). Add (SS6) to the end of the sub-panel part number for 316/316L stainless steel (Example: SCE-30P30SS6).

MOUNTING PANELS

Stainless Steel Sub-Panels

Construction -

Sub-panels are constructed from stainless steel. Size determines steel thickness.

Finish -

Configuration A - (Example: SCE-12P10SS). Sub-panels are made of 316/316L stainless steel with #4 brushed finish.

Configuration B & C - (Example: SCE-30P30SS) Sub-panels are made of 304 stainless steel with #4 brushed finish.

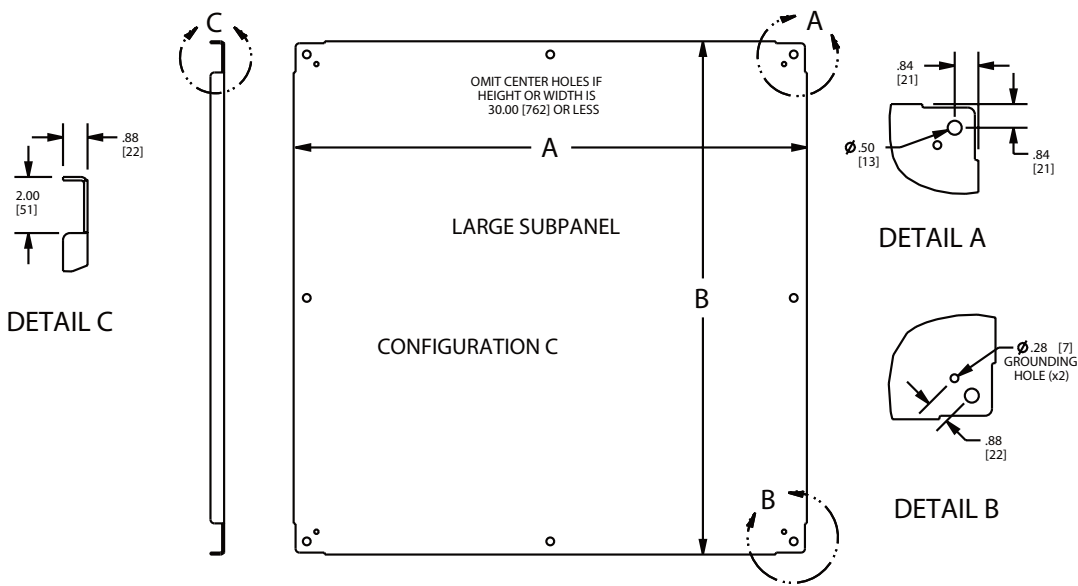
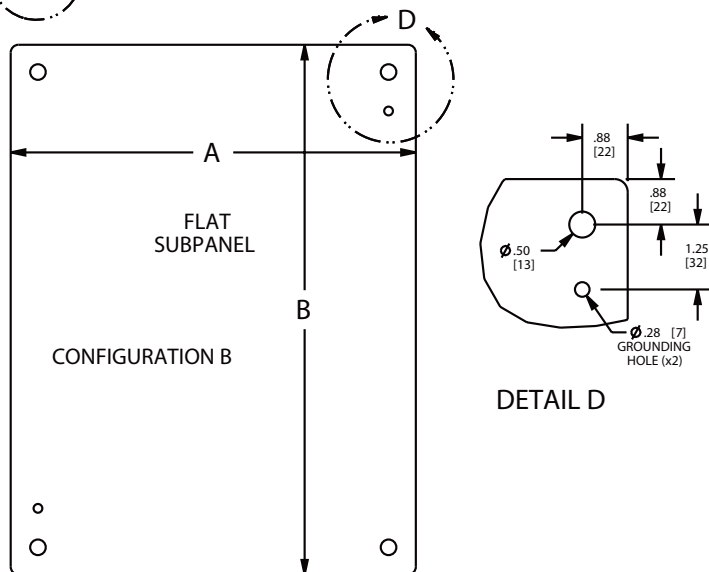
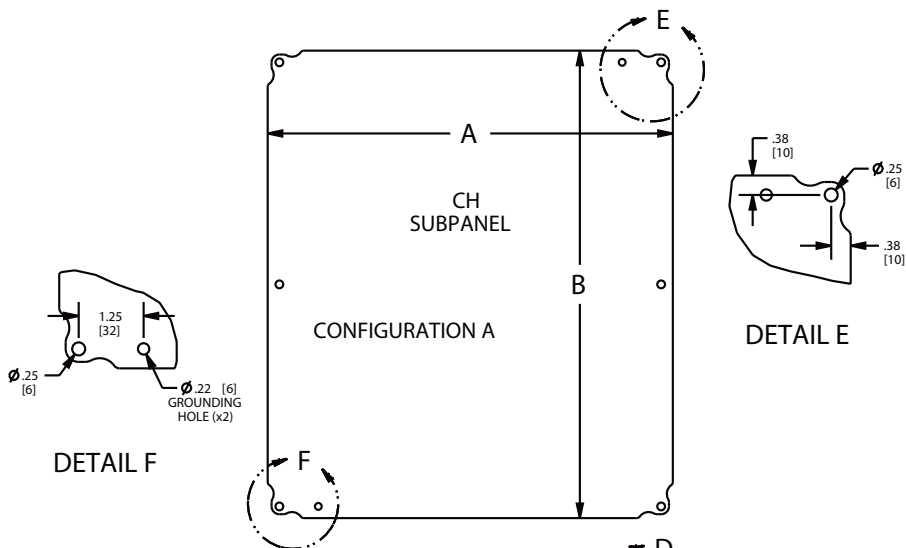
Options -

Configuration B & C - Add (6) to the end of the sub-panel part number for 316/316L stainless steel (Example: SCE-30P30SS6).

Catalog No.	Height (A)	Width (B)	Configuration	Edge Flanges	Product Code	List Price
SCE-82P37	78.00	33.75	A	Flat	P3	278.51
SCE-82P76	78.00	72.00	A	Flat	P3	501.32
SCE-6P4SS	5.00	3.00	A	Flat	P3	7.54
SCE-6P6SS	5.00	5.00	A	Flat	P3	9.01
SCE-8P6SS	7.00	5.00	A	Flat	P3	10.43
SCE-10P8SS	9.00	7.00	A	Flat	P3	14.27
SCE-10P10SS	9.00	9.00	A	Flat	P3	16.81
SCE-12P10SS	11.00	9.00	A	Flat	P3	19.31
SCE-12P12SS	11.00	11.00	A	Flat	P3	22.72
SCE-14P12SS	13.00	11.00	A	Flat	P3	25.34
SCE-16P12SS	13.00	9.00	B	Flat	P3	37.03
SCE-16P14SS	15.00	13.00	B	Flat	P3	49.87
SCE-16P16SS	13.00	13.00	B	Flat	P3	68.73
SCE-20P16SS	17.00	13.00	C	Four	P3	75.91
SCE-20P20SS	17.00	17.00	C	Four	P3	88.62
SCE-24P16SS	21.00	13.00	C	Four	P3	82.28
SCE-24P20SS	21.00	17.00	C	Four	P3	110.77
SCE-24P24SS	21.00	21.00	C	Four	P3	132.93
SCE-30P24SS	27.00	21.00	C	Four	P3	158.23
SCE-30P30SS	27.00	27.00	C	Four	P3	208.88
SCE-36P16SS	33.00	13.00	C	Four	P3	132.93
SCE-36P24SS	33.00	21.00	C	Four	P3	189.91
SCE-36P30SS	33.00	27.00	C	Four	P3	253.19
SCE-36P36SS	33.00	33.00	C	Four	P3	297.46
SCE-42P30SS	39.00	27.00	C	Four	P3	291.16
SCE-42P36SS	39.00	33.00	C	Four	P3	341.81
SCE-48P24SS	45.00	21.00	C	Four	P3	246.85
SCE-48P36SS	45.00	33.00	C	Four	P3	386.16

Phone (989) 799-6871
Fax (989) 799-4524





MOUNTING PANELS

Galvanized Sub-Panels

Construction -

Sub-panels are constructed from galvanized or galvanized steel for direct bonding of electrical components. Size determines steel thickness.

Finish -

Configuration A & B - (Example: SCE-12P10GALV). Sub-panels are made of galvanized steel.

Configuration C & D - (Example: SCE-30P30GALV) Sub-panels are made of galvanized steel.

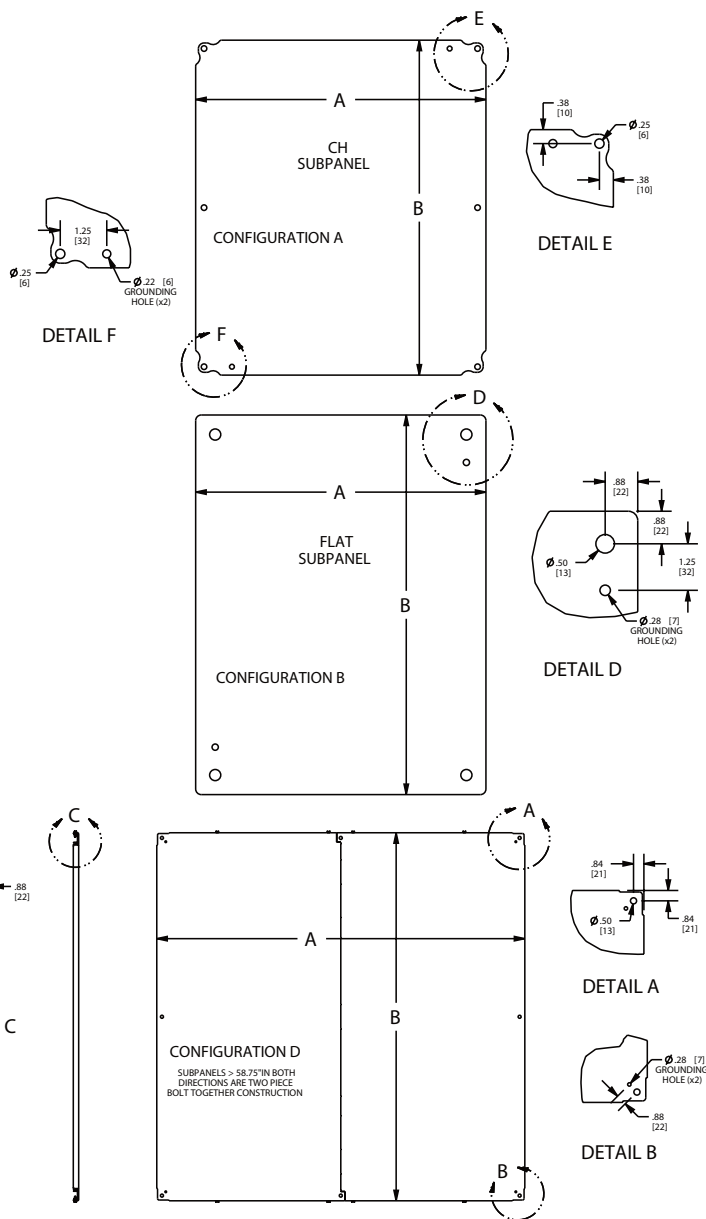
Catalog No.	Height (A)	Width (B)	Configuration	Edge Flanges	Product Code	List Price
SCE-60P30SS	57.00	27.00	A	Flat	P3	398.79
SCE-60P36SS	57.00	33.00	A	Flat	P3	474.74
SCE-6P4GALV	5.00	3.00	A	Flat	P3	2.89
SCE-6P6GALV	5.00	5.00	A	Flat	P3	3.47
SCE-8P6GALV	7.00	5.00	A	Flat	P3	4.00
SCE-8P8GALV	7.00	7.00	A	Flat	P3	4.69
SCE-10P8GALV	9.00	7.00	B	Flat	P3	5.47
SCE-10P10GALV	9.00	9.00	A	Flat	P3	6.46
SCE-12DLP12GALV	9.00	9.00	A	Flat	P3	13.67
SCE-12P6GALV	11.00	5.00	A	Flat	P3	5.14
SCE-12P10GALV	11.00	9.00	C	Four	P3	7.41
SCE-12P12GALV	11.00	11.00	A	Flat	P3	8.72
SCE-12P24GALV	9.00	21.00	A	Flat	P3	27.86
SCE-14P8GALV	13.00	7.00	A	Flat	P3	7.09
SCE-14P12GALV	13.00	11.00	B	Flat	P3	9.72
SCE-16P10GALV	15.00	9.00	B	Flat	P3	9.50
SCE-16P12GALV	13.00	9.00	A	Flat	P3	14.81
SCE-16DLP14GALV	13.00	11.00	B	Flat	P3	17.72
SCE-16P14GALV	15.00	13.00	B	Flat	P3	19.15
SCE-16P16GALV	13.00	13.00	B	Flat	P3	24.57
SCE-20P12GALV	17.00	9.00	B	Flat	P3	23.14
SCE-20P16GALV	17.00	13.00	C	Four	P3	30.37
SCE-20P16JGALV	19.00	15.00	C	Four	P3	29.18
SCE-20P20GALV	17.00	17.00	C	Four	P3	35.44
SCE-24P16GALV	21.00	13.00	C	Four	P3	32.92
SCE-24P20GALV	21.00	17.00	C	Four	P3	47.85
SCE-24P24GALV	21.00	21.00	C	Four	P3	55.84
SCE-30P16GALV	27.00	13.00	C	Four	P3	47.85
SCE-30P20GALV	27.00	17.00	C	Four	P3	58.49
SCE-30P24GALV	27.00	21.00	C	Four	P3	66.45
SCE-30P30GALV	27.00	27.00	C	Four	P3	87.73
SCE-36P16GALV	33.00	13.00	C	Four	P3	55.84
SCE-36P24GALV	33.00	21.00	C	Four	P3	79.76
SCE-36P30GALV	33.00	27.00	C	Four	P3	111.40
SCE-36P36GALV	33.00	33.00	C	Four	P3	130.89
SCE-40P24GALV	37.00	21.00	C	Four	P3	94.69
SCE-42P24GALV	39.00	21.00	C	Four	P3	100.25
SCE-42P30GALV	39.00	27.00	C	Four	P3	128.12
SCE-42P36GALV	39.00	33.00	C	Four	P3	157.23
SCE-42P42GALV	39.00	39.00	C	Four	P3	180.52
SCE-48P24GALV	45.00	21.00	C	Four	P3	108.61
SCE-48P30GALV	45.00	27.00	C	Four	P3	142.04
SCE-48P36GALV	45.00	33.00	C	Four	P3	177.63
SCE-48P42GALV	45.00	39.00	C	Four	P3	203.83
SCE-48P48GALV	44.00	44.00	C	Four	P3	244.57
SCE-60P24GALV	57.00	21.00	C	Four	P3	142.04
SCE-60P30GALV	57.00	27.00	C	Four	P3	183.45
SCE-60P36GALV	57.00	33.00	D	Four	P3	218.37
SCE-60BFP42GALV	56.00	38.00	C	Four	P3	264.97
SCE-60P48GALV	56.00	44.00	C	Four	P3	308.64
SCE-60P60GALV	56.00	56.00	C	Four	P3	381.43

Catalog No.	Height (A)	Width (B)	Configuration	Edge Flanges	Product Code	List Price
SCE-64P25GALV	60.00	21.75	C	Four	P3	183.45
SCE-64P31GALV	60.00	27.75	D	Four	P3	192.18
SCE-64P37GALV	60.00	33.75	D	Four	P3	209.65
SCE-64P52GALV	60.00	48.00	C	Four	P3	384.34
SCE-64P64GALV	60.00	60.00	C	Four	P3	452.58
SCE-64P76GALV	60.00	72.00	C	Four	P3	531.70
SCE-72P30GALV	69.00	27.00	D	Four	P3	241.67
SCE-72P36GALV	69.00	33.00	C	Four	P3	259.13
SCE-72P60GALV	68.00	56.00	D	Four	P3	454.23
SCE-72P72GALV	68.00	68.00	C	Four	P3	588.66
SCE-76P37GALV	72.00	33.75	D	Four	P3	288.25

MOUNTING PANELS

Galvanized Sub-Panels

Sub-panels are constructed from galvanized steel for direct bonding of electrical components. Size determines steel thickness.



MOUNTING PANELS

Aluminum Sub-Panels For Fiberglass Enclosures

Designed to mount in the back of an enclosure. Made of marine grade aluminum.

ELJ Consolet Sub-Panels

Designed to be used with ELJ Consolets. Made of heavy gauge steel and powder coated white.

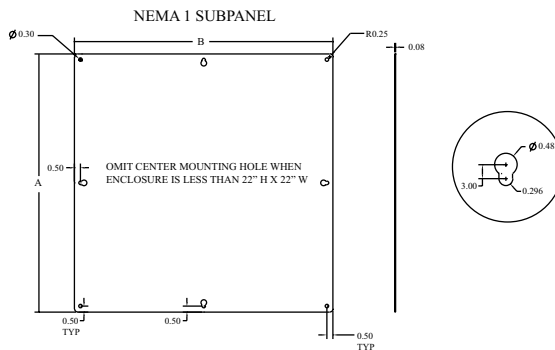
Catalog No.	Height (A)	Width (B)	Edge Flanges	Product Code	List Price
SCE-76P76GALV	72.00	72.00	Flat	P3	623.48
SCE-82P37GALV	78.00	33.75	Flat	P3	320.29
SCE-82P76GALV	78.00	72.00	Flat	P3	626.65
SCE-6P4AL	5.00	3.00	Flat	F2	15.35
SCE-6P6AL	5.00	5.00	Flat	F2	15.58
SCE-8P6AL	7.00	5.00	Flat	F2	18.82
SCE-8P8AL	7.00	7.00	Flat	F2	23.62
SCE-10P8AL	9.00	7.00	Flat	F2	25.38
SCE-12P10AL	11.00	9.00	Flat	F2	25.99
SCE-12P12AL	11.00	11.00	Flat	F2	27.68
SCE-14P8AL	13.00	7.00	Flat	F2	28.39
SCE-14P12AL	13.00	11.00	Flat	F2	36.87
SCE-16P10AL	13.00	8.50	Flat	F2	41.63
SCE-16P14AL	15.00	13.00	Flat	F2	46.72
SCE-18P16AL	16.88	14.88	Flat	F2	55.53
SCE-20P16AL	17.00	13.00	Formed	F2	76.68
SCE-20P16AL	17.00	13.00	Formed	F2	76.68
SCE-20PJ16AL	18.88	14.88	Flat	F2	65.28
SCE-24P12AL	21.00	9.00	Formed	F2	70.69
SCE-24P20AL	21.00	17.00	Formed	F2	106.15
SCE-24P24PCAL	22.75	22.75	Formed	F2	104.98

Catalog No.	Height (A)	Width (B)	Configuration	Edge Flanges	Product Code	List Price
SCE-30P20AL	27.00	17.00	A	Flat	F2	130.68
SCE-30P24AL	27.00	21.00	A	Flat	F2	174.35
SCE-36P30AL	33.00	27.00	A	Flat	F2	252.39
SCE-8P8C	6.00	6.75	A	Flat	P3	5.27
SCE-8P12C	6.00	10.75	A	Flat	P3	8.39
SCE-8P16C	6.00	14.75	A	Flat	P3	11.50
SCE-8P20C	6.00	18.75	A	Flat	P3	14.63
SCE-12P12C	9.50	10.75	A	Flat	P3	13.28
SCE-12P16C	9.50	14.75	A	Flat	P3	18.22
SCE-12P20C	9.50	18.75	A	Flat	P3	23.16
SCE-12P24C	9.50	22.75	A	Flat	P3	28.09
SCE-16P20C	12.88	18.75	A	Flat	P3	31.40
SCE-16P24C	12.88	22.75	A	Flat	P3	38.10
SCE-16P30C	12.88	28.75	A	Flat	P3	44.80

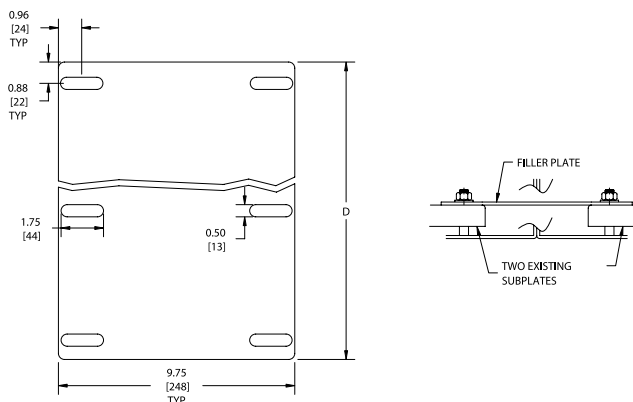
Phone (989) 799-6871
Fax (989) 799-4524



Catalog No.	Height (A)	Width (B)	Product Code	List Price
SCE-20P20C	16.38	18.75	P3	39.00
SCE-20P24C	16.38	22.75	P3	42.30
SCE-20P30C	16.38	28.75	P3	47.32
SCE-6N6MP	4.00	4.00	N1	2.82
SCE-8N6MP	6.00	4.00	N1	3.26
SCE-8N8MP	6.00	6.00	N1	3.82
SCE-10N8MP	8.00	6.00	N1	4.46
SCE-10N10MP	8.00	8.00	N1	5.27
SCE-12N10MP	10.00	8.00	N1	6.03
SCE-12N12MP	10.00	10.00	N1	7.10
SCE-14N12MP	12.00	10.00	N1	7.92
SCE-16N12MP	14.00	10.00	N1	11.58
SCE-16N16MP	14.00	14.00	N1	19.21
SCE-20N16MP	18.00	14.00	N1	21.62
SCE-20N20MP	18.00	18.00	N1	27.84
SCE-24N16MP	22.00	14.00	N1	22.89
SCE-24N20MP	22.00	18.00	N1	31.67
SCE-24N24MP	22.00	22.00	N1	36.97
SCE-30N24MP	28.00	22.00	N1	43.99



Catalog No.	Height (D)	Width	Enclosure Height	Product Code	List Price
SCE-30N30MP	28.00	28.00	72.00	N1	58.07
SCE-36N24MP	34.00	22.00	84.00	N1	52.80
SCE-36N30MP	34.00	28.00	90.00	N1	70.39



MOUNTING PANELS

Type 1 Sub-Panels

Designed to be used with Nema 1 enclosures. Made of heavy gauge steel and powder coated white.

Filler Plates

Designed to provide additional mounting surface between sub-panels in a large enclosure or between sub-panels or sections of a modular enclosure. Slotted mounting holes allow flexible installation. Panels are powder coated white.

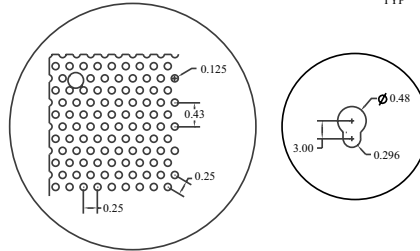
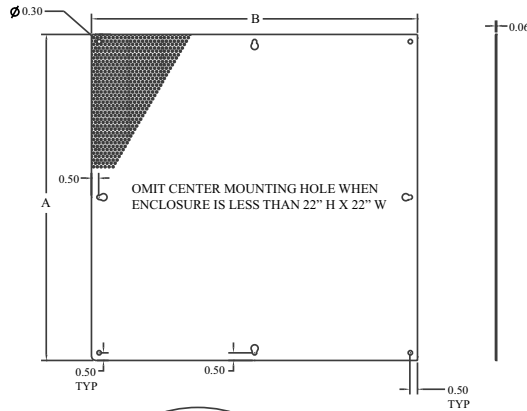
MOUNTING PANELS

Perforated Sub-Panels

Perforated Sub-panels have 0.13 mounting holes with 0.25 staggered patterns for the installation of lightweight control components with #8 self threading screws, for use in small and medium size Type 1 enclosures.

Catalog No.	Height (A)	Width (B)	Product Code	List Price
SCE-72FP	60.00	9.75	P3	78.49
SCE-84FP	72.00	9.75	P3	88.62
SCE-90FP	78.00	9.75	P3	96.21
SCE-6N6MPP	4.00	4.00	N1	7.36
SCE-8N6MPP	6.00	4.00	N1	8.71
SCE-8N8MPP	6.00	6.00	N1	9.83
SCE-10N8MPP	8.00	6.00	N1	11.58
SCE-10N10MPP	8.00	8.00	N1	13.47
SCE-12N10MPP	10.00	8.00	N1	15.11
SCE-12N12MPP	10.00	10.00	N1	15.94
SCE-14N12MPP	12.00	10.00	N1	17.14
SCE-16N12MPP	14.00	10.00	N1	19.25
SCE-16N16MPP	14.00	14.00	N1	22.58
SCE-20N16MPP	18.00	14.00	N1	26.46
SCE-20N20MPP	18.00	18.00	N1	30.55
SCE-24N16MPP	22.00	14.00	N1	30.55
SCE-24N20MPP	22.00	18.00	N1	36.52
SCE-24N24MPP	22.00	22.00	N1	53.44
SCE-30N24MPP	28.00	22.00	N1	68.13

NEMA 1 PERFORATED SUBPANEL



Individual Panel Supports

Individual Panel Supports are available for mounting sub-panels. Packaged in sets with all mounting hardware included. Made of heavy gauge steel and plated. For technical information, consult our Installation Manual at www.saginawcontrol.com.

Catalog No.	Notes	Product Code	List Price
SCE-30N30MPP	28. Set of 4	N1	85.12
SCE-36N24MPP	34. Set of 6	N1	85.12
SCE-36N30MPP	34. Set of 8	N1	100.48



Phone (989) 799-6871
Fax (989) 799-4524

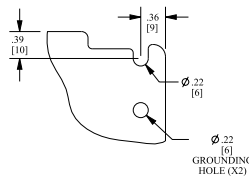
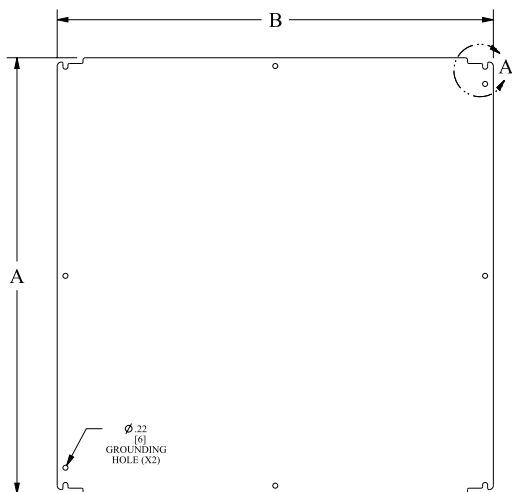


1 Operator System Enclosures
2 Wall-Mount Enclosures
3 Free-Standing & Floor-Mounted Enclosures
4 Modular Enclosures
5 Operator System Enclosures (Stainless Steel)
6 Wall-Mount Enclosures (Stainless Steel)
7 Free-Standing & Floor-Mounted Enclosures (Stainless Steel)
8 Non-Metallic Enclosures
9 Mounting Panels
10 Technical Information
11 Index

Catalog No.	Height (A)	Width (B)	Product Code	List Price
SCE-FSPS4			P2	55.88
SCE-FSPS6			P2	84.44
SCE-FSPS8			P2	126.66
SCE-6P4J			SCE-6P4	
SCE-6P4JGALV			SCE-6P4GALV	
SCE-6P6J			SCE-6P6	
SCE-6P6JGALV			SCE-6P6GALV	
SCE-8P6J			SCE-8P6	
SCE-8P6JGALV			SCE-8P6GALV	
SCE-8P8J			SCE-8P8	
SCE-10P10J			SCE-10P10	
SCE-10P8J			SCE-10P8	
SCE-10P8JGALV			SCE-10P8GALV	
SCE-12P10J			SCE-12P10	
SCE-12P12J			SCE-12P12	
SCE-12P12JGALV			SCE-12P12GALV	
SCE-14P12J			SCE-14P12	
SCE-16P14J			SCE-16P14	

Catalog No.	Height (A)	Width (B)	Product Code	List Price
SCE-20P16J			SCE-20P16J	
SCE-20P16JGALV		S C E -		
SCE-20P20J			SCE-20P20J	
SCE-9P12L	8.00	11.00	P3	18.86
SCE-9P18L	8.00	17.00	P3	26.63

Enclosure Size - 0.75 = Sub-Panel Size



DETAIL A

- MOUNTING HOLE NOTES:
1. Omit center mounting holes top and bottom when sub-panel width is < 15.00
 2. Omit center mounting holes left and right when height is < 15.00

MOUNTING PANELS

Enviroline® Junction Enclosure (ELJ) Sub-Panels

Designed to be used with Enviroline® Series Junction Enclosures. Made of heavy gauge steel and powder coated white. GALV panels made of galvanized steel.

Enviroline® Trough Enclosure (ELJ) Sub-Panels

Designed to be used with Enviroline® Series Trough Enclosures. Made of heavy gauge steel and powder coated white.

1 Operator System Enclosures
 2 Wall-Mount Enclosures
 3 Free-Standing & Floor-Mounted Enclosures
 4 Modular Enclosures
 5 Operator System Enclosures (Stainless Steel)
 6 Wall-Mount Enclosures (Stainless Steel)
 7 Free-Standing & Floor-Mounted Enclosures (Stainless Steel)
 8 Non-Metallic Enclosures
 9 Mounting Panels
 10 Technical Information
 11 Index



Phone (989) 799-6871
 Fax (989) 799-4524

MOUNTING PANELS

Dead Front Panel For Wall-Mount Enclosures

Designed for use in Wall Mount Enclosures with SCE concealed hinges, to be installed in the front of an enclosure and to swing out of the enclosure. Kit consists of heavy gauge brackets, hinges, and mounting hardware. Installed by detaching door hinge from enclosure and installing swing out panel kit to the existing holes. Hinge supplied with the enclosure. Made of steel and powder coated white.

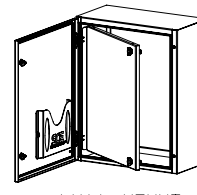
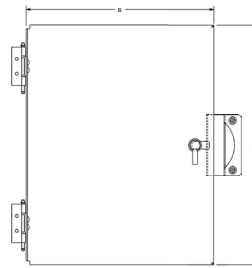
Provided with UL Recognized sealing washer to maintain Environmental Rating of the enclosure.

Dead Front Panel For CHNF & ELJ Enclosures

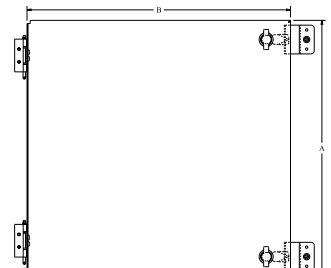
Designed for installation into Enviroline® Series junction enclosures and continuous hinged junction enclosures, to be installed in the front of an enclosure and to swing out of the enclosure. Kit consists of heavy gauge brackets, hinges, and mounting hardware. Installed by drilling hole in the side of the enclosure. Made of steel and powder coated white.

Provided with UL Recognized sealing washer to maintain Environmental Rating of the enclosure.

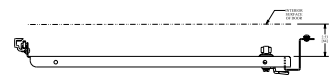
Catalog No.	Height	Width	Product Code	List Price
SCE-DF20EL16LP	16.00	12.63	P2	72.59
SCE-DF20EL20LP	16.00	16.63	P2	77.44
SCE-DF24EL20LP	20.00	16.63	P2	80.84
SCE-DF24EL24LP	20.00	20.63	P2	87.32
SCE-DF30EL20LP	26.00	16.63	P2	92.78
SCE-DF30EL24LP	26.00	20.63	P2	98.27
SCE-DF30EL30LP	26.00	26.63	P2	116.19
SCE-DF36EL20LP	32.00	16.70	P2	105.54
SCE-DF36EL24LP	32.00	20.63	P2	113.74
SCE-DF36EL30LP	32.00	26.63	P2	134.11
SCE-DF36EL36LP	32.00	32.63	P2	152.14
SCE-DF42EL24LP	38.00	20.63	P2	131.34
SCE-DF42EL30LP	38.00	26.63	P2	154.88
SCE-DF42EL36LP	38.00	32.63	P2	170.17
SCE-DF48EL24LP	44.00	20.63	P2	158.72
SCE-DF48EL36LP	44.00	32.63	P2	189.95
SCE-DF60EL36LP	56.00	32.63	P2	224.79
SCE-DF72EL36LP	68.00	32.63	P2	236.75



WALL MOUNT
SCE-DFxxELxxLP

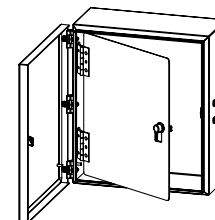
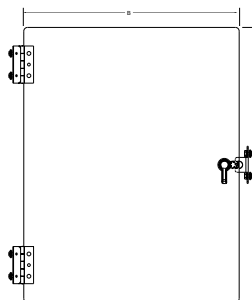


Enclosures 20 Inches High and Less

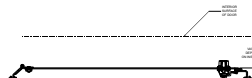


Enclosures Greater than 20 Inches

Catalog No.	Height	Width	Product Code	List Price
SCE-DFJ1008	8.50	6.50	P2	49.54
SCE-DFJ1210	10.50	8.50	P2	53.75
SCE-DFJ1212	10.50	10.50	P2	55.79
SCE-DFJ1412	12.50	10.50	P2	57.83
SCE-DFJ1614	14.50	12.50	P2	62.22
SCE-DFJ2016	18.50	14.50	P2	67.54



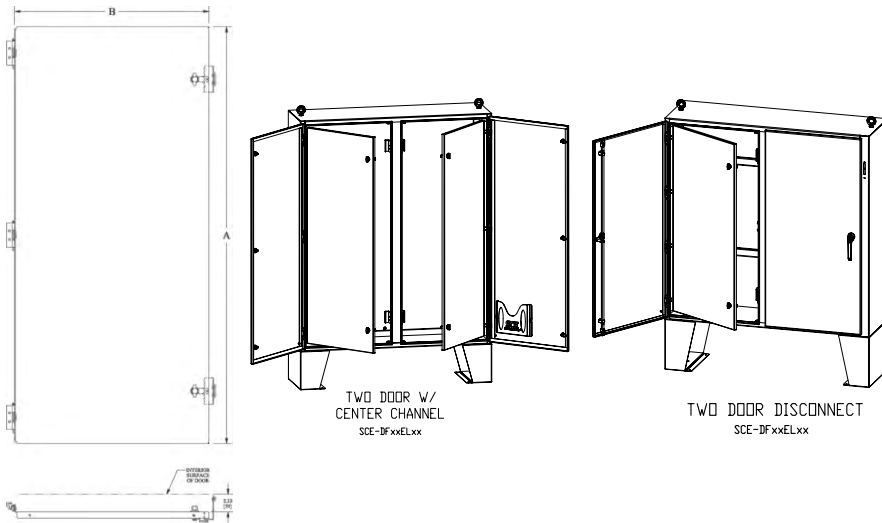
CHNF / ELJ
SCE-DF Jxx



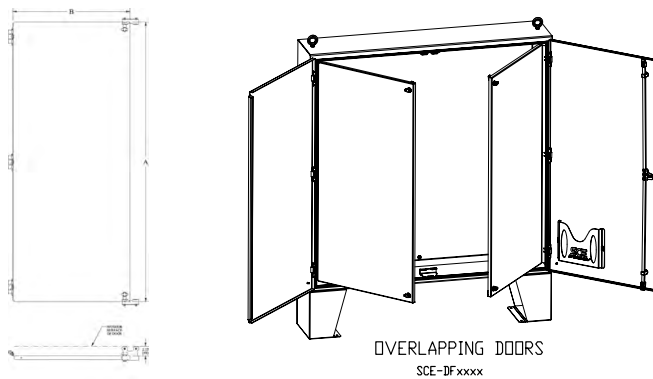
Phone (989) 799-6871
Fax (989) 799-4524



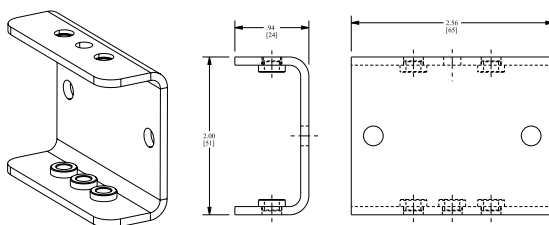
Catalog No.	Height	Width	Qty. Per Kit	Product Code	List Price
SCE-DF48EL48	44.00	19.88	1	P2	261.30
SCE-DF60EL48	60.00	20.00	1	P2	345.67
SCE-DF60EL60	56.00	25.88	1	P2	385.11
SCE-DF72EL60	68.00	25.88	1	P2	425.77
SCE-DF72EL72	68.00	31.88	1	P2	475.40



Catalog No.	Height	Width	Qty. Per Kit	Product Code	List Price
SCE-DF6048	56.00	22.13	1	P2	356.31
SCE-DF6060	55.50	28.13	1	P2	396.74
SCE-DF7260	67.50	28.13	1	P2	438.41
SCE-DF7272	68.00	34.13	1	P2	489.29



Catalog No.	Description	Product Code	List Price
SCE-115259	For use with Wall Mount Enclosures with SCE concealed hinges	P2	34.43



MOUNTING PANELS

Dead Front Panel For Two-Door Enclosures with Center Channel

Designed for installation into Enviroline® Series two-door enclosures with center channel, to be installed in the front of an enclosure and to swing out of the enclosure. Kit consists of heavy gauge brackets, hinges, and mounting hardware. Installed by detaching door hinge from enclosure and installing swing out panel kit to the existing holes. Hinge is supplied with the enclosure. Made of steel and powder coated white. Kit contains one panel and all hardware for one dead front behind one door.

Provided with UL Recognized sealing washer to maintain Environmental Rating of the enclosure.

Dead Front Panel For Two-Door Enclosures with Overlapping Doors

Designed for installation into two-door enclosures with overlapping doors, to be installed in the front of an enclosure and to swing out of the enclosure. Kit consists of heavy gauge brackets, hinges, and mounting hardware. Installed by detaching door hinge from enclosure and installing swing out panel kit to the existing holes. Hinge is supplied with the enclosure. Made of steel and powder coated white. Kit contains one panel and all hardware for one dead front behind one door.

Provided with UL Recognized sealing washer to maintain Environmental Rating of the enclosure.

Dead Front Extension Brackets for Wall Mount Enclosures

Designed to increase the distance from the door to the dead front. Brackets can be used when additional space is required when mounting parts to the dead front. Five brackets provided per kit.

MOUNTING PANELS

Swing Out Panel Kits For Type 4 & 12 Enclosures

Designed to allow a standard sub-panel to be installed in the front of an enclosure and to swing out of the enclosure. Kits consist of heavy gauge brackets and hinges. Installed by drilling small hole in the side of the enclosure and bolting the bracket in place. Sealing washers are provided to insure that the enclosure will meet original standards after installation. For use in any Type 4 & 12 LP style wall mount enclosure where A x B dimensions are 12" x 12" or larger.

Provided with UL Recognized sealing washer to maintain Environmental Rating of the enclosure.

Swing Out Panel Kits For Envirolite®, Wall-mount, 3R Hinged Enclosures

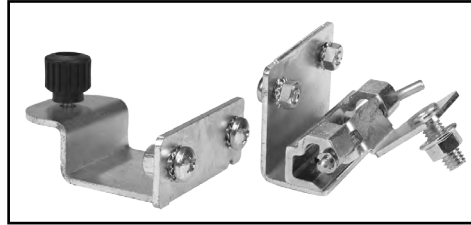
Designed to allow a standard sub-panel to be installed in the front of an enclosure and to swing out of the enclosure. Kit consists of heavy gauge brackets, hinges, and mounting hardware. Installed by detaching door hinge from enclosure and installing swing out panel kit to the existing holes and hinge supplied with the enclosure. Made of steel and zinc plated.

Provided with UL Recognized sealing washer to maintain Environmental Rating of the enclosure.

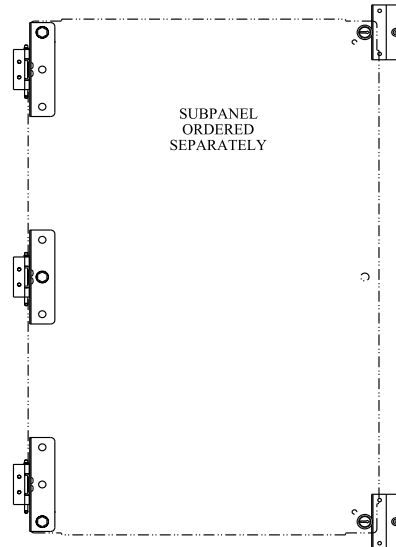
Swing Out Panel Kit For Polycarbonate Enclosures

Designed to allow a standard sub-panel to be installed in the front of an enclosure and to swing out of the enclosure. Kits consist of polycarbonate hinged mounting brackets. Installed on internal enclosure channels and adjustable to depth of enclosure.

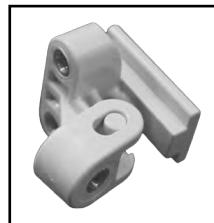
Catalog No.	Description	Product Code	List Price
SCE-NADFK	Swing Panel Kit (used with panels 30 inches and under)	P2	44.71
SCE-NADFK-3	Swing Panel Kit (used with panels over 30 inches)	P2	55.89
SCE-NADFKSS	Swing Panel Kit - Stainless Steel	P2	159.02



Catalog No.	Enclosure Height	Product Code	List Price
SCE-ELSP	12 to 16	P2	45.00
SCE-ELSP3	20 to 60	P2	56.00



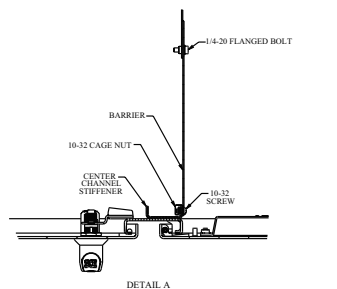
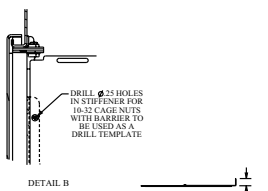
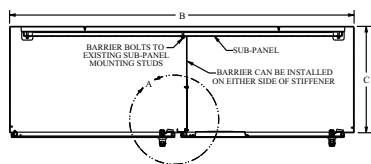
Catalog No.	Qty Per Kit	Product Code	List Price
SCE-PCSP	4	F1	26.67



Phone (989) 799-6871
Fax (989) 799-4524

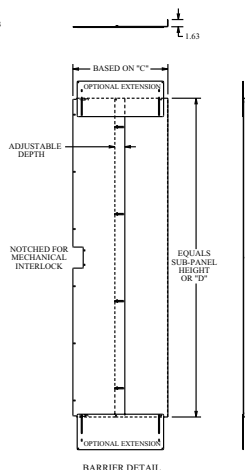
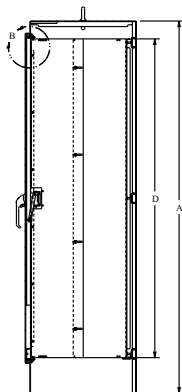


Catalog No.	Height (A)	Width (B)	Use with Subpanel Height	Use with Enclosure Depth	Product Code	List Price
SCE-BP5612	55.94	10.44	56	12	P2	217.45
SCE-BP5618	55.94	16.44	56	18	P2	238.70
SCE-BP5624	55.94	22.44	56	24	P2	259.80
SCE-BP6018	59.94	15.44	60	18	P2	239.58
SCE-BP6024	59.94	21.44	60	24	P2	260.66
SCE-BP6812	67.94	10.44	68	12	P2	269.90
SCE-BP6818	67.94	16.44	68	18	P2	245.54
SCE-BP6824	67.94	22.44	68	24	P2	245.54
SCE-BP7218	71.94	15.44	72	18	P2	254.10
SCE-BP7224	71.94	21.44	72	24	P2	277.23
SCE-BP7818	77.94	15.44	78	18	P2	270.84
SCE-BP7824	77.94	21.44	78	24	P2	294.94



PART NUMBER CONFIGURATION:
EXAMPLE: SCE-BP7818

SUB-PANEL HEIGHT ENCLOSURE DEPTH



Catalog No.	For Use With	Length	Product Code	List Price
SCE-BPEX18	18 Inch Wide Barrier Plates	13.50	P2	91.48
SCE-BPEX24	24 Inch Wide Barrier Plates	19.50	P2	101.52

MOUNTING PANELS

Barrier Plates

Designed to be installed on the back panel of enclosures to provide protection against Arc Flash the height of the sub-plate, and allowing separation of the high voltage and low voltage within the enclosure. Made of heavy gauge carbon steel and powder coated white. Mounting hardware included.

Barrier Extension for Barrier Plates

Designed to be used with the Barrier Plates to extend the barrier, closing up the space between barrier plate and top or bottom of enclosure. Made of heavy gauge carbon steel and powder coated white.

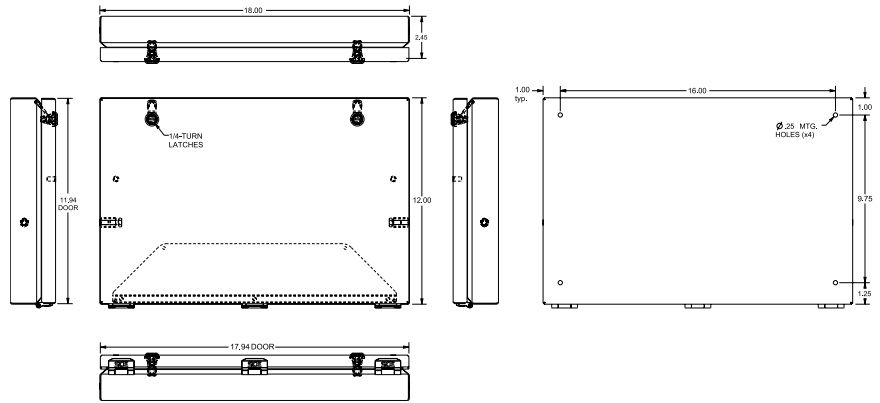
MEDIA POCKETS & WINDOWS

Exterior Print Pocket

Designed for use on the exterior of an enclosure or door to keep prints clean and easy to access. Exterior print pockets have a hinged cover with cable stops to hold the door at 90 degrees open position and black quarter turn latches. Made of steel and powder coated RAL 7035 gray.

Provided with UL Recognized sealing washer to maintain Environmental Rating of the enclosure.

Catalog No.	Height	Width	Depth	Product Code	List Price
SCE-13ELJEXPP	13.00	19.00	2.45	P2	152.23
SCE-19ELJEXPP	19.00	13.00	2.45	P2	152.23



Media Storage Pockets

Designed to provide storage for electronic media. Padlockable. This pocket is not fire proof. Made of steel and powder coated white. For technical information, consult our Installation Manual at www.saginawcontrol.com.

Catalog No.	Description	Height	Width	Depth	Product Code	List Price
SCE-CDPK	CD Pocket	6.00	6.00	2.00	P2	124.18
SCE-DISKPK	Disk Pocket	4.31	5.50	1.50	P2	124.18



Print Pockets

Designed to provide storage for prints on the interior of an enclosure. Intended for use as a replacement or as an additional pocket.

Catalog No.	Description	Height	Width	Depth	Product Code	List Price
SCE-PP7701	Small Standard Print Pocket White Polypropylene material	7.00	7.00	1.00	P2	22.35
SCE-PP101201	Large Standard Print Pocket White Polypropylene material	10.00	11.50	1.00	P2	24.84
SCE-PP101203	Extra Deep Print Pocket Heavy gauge steel powder coated white	10.00	11.50	3.00	P2	27.32
SCE-PP1212	Print Pocket for 11 x 14 Binder Cover Heavy gauge steel powder coated white	12.00	11.72	1.55	P2	37.86



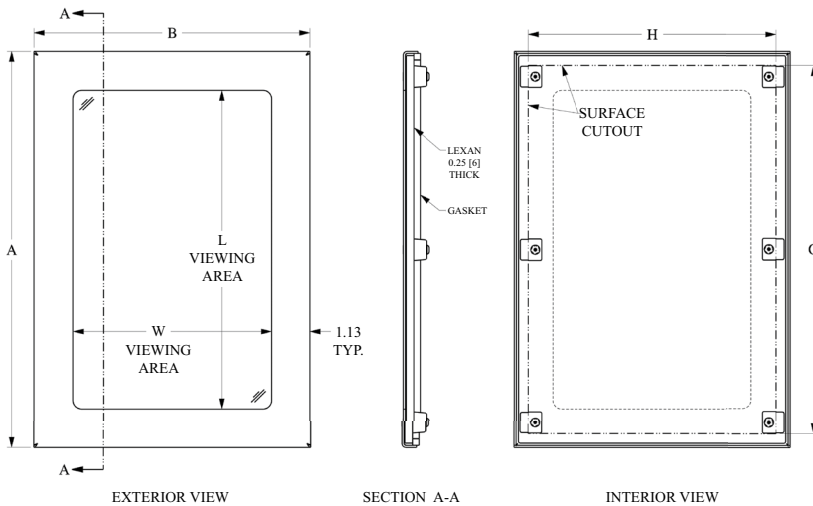
Phone (989) 799-6871
Fax (989) 799-4524



Catalog No.	Viewing Area (L)	Viewing Area (W)	Cut-Out Size (G)	Cut-Out Size (H)	Height (A)	Width (B)	Product Code	List Price
SCE-PWK53NF	5.25	3.25	6.69	4.69	7.50	5.50	P2	99.34
SCE-PWK63NF	6.55	2.85	7.99	4.29	8.80	5.10	P2	109.28
SCE-PWK95NF	9.25	5.75	10.69	7.19	11.50	8.00	P2	119.22
SCE-PWK138NF	13.25	8.25	14.69	9.69	15.50	10.50	P2	151.50
SCE-PWK1711NF	17.25	11.25	18.69	12.69	19.50	13.50	P2	208.62
SCE-PWK2315NF	23.25	15.25	24.69	16.69	25.50	17.50	P2	257.05
SCE-PWK2919NF	29.25	19.25	30.69	20.69	31.50	21.50	P2	382.47

Stainless Steel

SCE-PWK53NFSS	5.25	3.25	6.69	4.69	7.50	5.50	P2	149.01
SCE-PWK95NFSS	9.25	5.75	10.69	7.19	11.50	8.00	P2	180.06
SCE-PWK138NFSS	13.25	8.25	14.69	9.69	15.50	10.50	P2	228.49
SCE-PWK1711NFSS	17.25	11.25	18.69	12.69	19.50	13.50	P2	300.51
SCE-PWK2315NFSS	23.25	15.25	24.69	16.69	25.50	17.50	P2	388.68
SCE-PWK2919NFSS	29.25	19.25	30.69	20.69	31.50	21.50	P2	576.19



MEDIA POCKETS & WINDOWS

Window Kits

Designed for use on most SCE Type 4, 4X and 12 enclosures. Consists of frame, window, oil-resistant gasket, and mounting hardware. Installed by making a cutout in the enclosure and fastening the window and frame in place. For technical information, consult our Installation Manual at www.saginawcontrol.com. The window is 0.25" UV stable polycarbonate material. Made of heavy gauge steel and powder coated ANSI-61 gray. "SS" kits are made of Type 304 stainless with #4 brushed finish.

Recommend use as Type 3R rating in full outdoor exposure and extreme weather environments.

For more details see *Design Considerations When Specifying Your Enclosure* on our website.

Nema Type 1, 3R, 4, 4X & 12
UL Recognized Type 1, 3R & 12

PROTECTIVE ACCESS ENCLOSURES

Hinged Window Enclosure

Designed to mount on the exterior of an enclosure to provide protection for controls with easy access. ELJ hinges. Black mini quarter turn latches. UV stable Polycarbonate viewing window. Gasket and hardware included. Made of heavy gauge carbon steel and powder coated. "SS" parts made of heavy gauge stainless steel Type 304 with #4 brushed finish.

Recommend use as Type 3R rating in full outdoor exposure and extreme weather environments – the addition of ventilation is necessary to handle the large negative pressure differential caused in a tightly sealed enclosure in extreme weather conditions. Temperatures that may exceed 140°F, such as outdoor in direct sunlight should be evaluated, shading or sun shield may be necessary.

For more details see *Design Considerations When Specifying Your Enclosure* on our website.

IS3 - Industry Standards -

NEMA Type 3R, 12 & Type 13
UL Listed Type 3R & 12
CSA Type 3R & 12
IEC 60529 IP55

IS4 - Industry Standards -

NEMA Type 3R, 4, 12 & Type 13
UL Listed Type 3R, 4 & 12
CSA Type 3R, 4 & 12
IEC 60529 IP66

IS6 - Industry Standards -

NEMA Type 3R, 4, 4X, 12 & Type 13
UL Listed Type 3R, 4, 4X & 12
CSA Type 3R, 4, 4X & 12
IEC 60529 IP66

Hinged Access Enclosure

Designed to house electrical controls, instruments and components used in an indoor or outdoor environment to provide a degree of protection for the equipment inside the enclosure against ingress of solid foreign objects (falling dirt); and provide a degree of protection with respect to the harmful effects on the equipment due to the ingress of water (rain, sleet, snow). ELJ hinges. Black mini quarter turn latches. Gasket and hardware included.

IS4 - Industry Standards -

NEMA Type 3R, 4, 12 & Type 13
UL Listed Type 3R, 4 & 12
CSA Type 3R, 4 & 12
IEC 60529 IP66

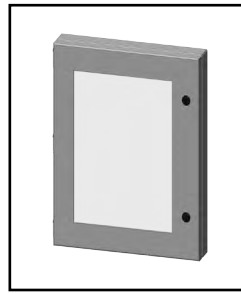
IS6 - Industry Standards -

NEMA Type 3R, 4, 4X, 12 & Type 13
UL Listed Type 3R, 4, 4X & 12
CSA Type 3R, 4, 4X & 12
IEC 60529 IP66

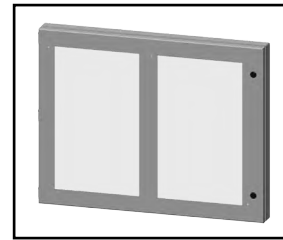
Catalog No.	Height (A)	Width (B)	Depth (C)	Number Windows	Viewing Area Height x Width	Industry Standard	Product Code	List Price
SCE-HWK1212	12.00	12.00	1.50	1	8.00 x 7.38	IS4	P6	310.45
SCE-HWK1814	18.00	14.00	1.50	1	14.00 x 9.38	IS4	P6	360.12
SCE-HWK2218	22.00	18.00	1.50	1	18.00 x 13.38	IS3	P6	434.63
SCE-HWK2228	22.00	28.00	1.50	2	18.00 x 10.56	IS3	P6	496.72
SCE-HWK2822	28.00	22.00	1.50	2	10.88 x 17.38	IS3	P6	496.72
SCE-HWK1212LG	12.00	12.00	1.50	1	8.00 x 7.38	IS4	P6	310.45
SCE-HWK1814LG	18.00	14.00	1.50	1	14.00 x 9.38	IS4	P6	360.12
SCE-HWK2218LG	22.00	18.00	1.50	1	18.00 x 13.38	IS3	P6	434.63
SCE-HWK2228LG	22.00	28.00	1.50	2	18.00 x 10.56	IS3	P6	496.72
SCE-HWK2822LG	28.00	22.00	1.50	2	10.88 x 17.38	IS3	P6	496.72

Stainless Steel

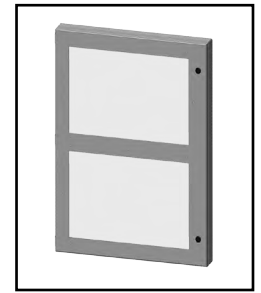
SCE-HWK1212SS	12.00	12.00	1.50	1	8.00 x 7.38	IS6	P6	640.77
SCE-HWK1814SS	18.00	14.00	1.50	1	14.00 x 9.38	IS6	P6	869.25
SCE-HWK2218SS	22.00	18.00	1.50	1	18.00 x 13.38	IS3	P6	1,048.07
SCE-HWK2228SS	22.00	28.00	1.50	2	18.00 x 10.56	IS3	P6	1,296.42
SCE-HWK2822SS	28.00	22.00	1.50	2	10.88 x 17.38	IS3	P6	1,296.42



SCE-HWK1212(SS)
SCE-HWK1814(SS)
SCE-HWK2218(SS)



SCE-HWK2228(SS)



SCE-HWK2822(SS)

Catalog No.	Height (A)	Width (B)	Depth (C)	Finish	Industry Standard	Product Code	List Price
SCE-HA1010	10.00	10.00	1.50	ANSI-61 Gray	IS4	P6	247.95
SCE-HA1212	12.00	12.00	1.50	ANSI-61 Gray	IS4	P6	268.92
SCE-HA1814	18.00	14.00	1.50	ANSI-61 Gray	IS4	P6	318.22
SCE-HA1010-05	10.00	10.00	1.50	SCE-05 White	IS4	P6	247.95
SCE-HA1212-05	12.00	12.00	1.50	SCE-05 White	IS4	P6	268.92
SCE-HA1010LG	10.00	10.00	1.50	RAL 7035 Gray	IS4	P6	247.95
SCE-HA1212LG	12.00	12.00	1.50	RAL 7035 Gray	IS4	P6	268.92
SCE-HA1814LG	18.00	14.00	1.50	RAL 7035 Gray	IS4	P6	318.22

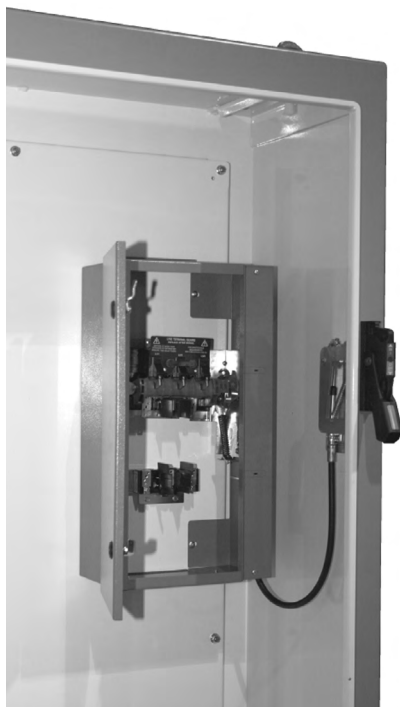
Stainless Steel

SCE-HA1010SS	10.00	10.00	1.50	#4 Brushed Finish	IS6	P6	566.45
SCE-HA1212SS	12.00	12.00	1.50	#4 Brushed Finish	IS6	P6	592.52
SCE-HA1814SS	18.00	14.00	1.50	#4 Brushed Finish	IS6	P6	811.61



TYPE 1 INTERNAL DISCONNECT ENCLOSURE

Catalog No.	Height	Width	Depth	Min Depth of Enclosure	Product Code	List Price
SCE-60AFSD	13.50	12.00	6.50	12 inches	P2	171.23
SCE-100AFSD	22.00	12.00	6.50	12 inches	P2	183.20
SCE-400AFSD	32.00	15.00	9.75	16 inches	P2	208.76



PROTECTIVE ACCESS ENCLOSURES

Internal Disconnect Enclosure

Application -

Designed for use with enclosures that require additional protection against Arc Flash. This enclosure can be used within an environmentally rated enclosure to isolate the main power supply. Increasing personal protection by preventing incidental contact or exposure to the high voltage arc flash and shock hazard, and potentially reducing the PPE level for the lower risk components when the Internal Disconnect Enclosure cover is closed. The Internal Disconnect Enclosure can be easily incorporated into a new system or added to a pre-existing system on variable depth or cable operated disconnects. Aids in achieving compliance with NFPA 70E by concealing main power supply. For installation information, consult our Installation Manual at www.saginawcontrol.com.

Construction -

- 0.060" carbon steel
- Enclosures are symmetrical for use with left or right hand disconnects.
- Removable continuous hinges.
- 110 degree door stop prevents incidental contact with other components.
- Black quarter turn latch.
- Black spring loaded quarter turn latch with 7mm square insert and key.
- Latches automatically when door is closed.
- Gland plate top and bottom provides easy installation of wires.
- Mounting holes provided in back for securing to the sub-panel.
- Ground stud on door and body.

Note -

The proper size of the Internal Disconnect enclosure is limited only space occupied by the disconnect or circuit breaker, minimum spacing requirements provided by the disconnect manufacture and wiring code requirements.

***For use with Saginaw Control enclosures only.**

Finish -

Orange Texture powder coated inside and out.

IS8 - Industry Standards -

Nema Type 1
UL Listed Type 1
CSA Type 1
IEC 60529 IP30

PROTECTIVE ACCESS ENCLOSURES

External Disconnect Enclosure

Application -

Designed for use with enclosures that require additional protection against Arc Flash. This enclosure can be used with an environmentally rated enclosure to isolate the main power supply. Increasing personal protection by preventing incidental contact or exposure to the high voltage arc flash and shock hazard, and potentially reducing the PPE level for the lower risk components of the main enclosure. The External Disconnect Enclosure bolts to the exterior right side of a single or multi door primary enclosure. Aids in achieving compliance with NFPA 70E by concealing main power supply. For Installation Information, consult our Installation Manual at www.saginawcontrol.com.

Construction -

- 0.075" carbon steel/type 304 stainless steel.
- Seams continuously welded and ground smooth.
- Flange trough collar around all sides of door opening.
- Oil-resistant gasket.
- Black quarter turn latch.
- Collar studs provided for mounting panels.
- 31"H x 12"W galvanized sub-panel installed.
- Concealed hinges.
- Latches are opened or closed with a screwdriver.
- Mounting hardware included.
- Mechanical interlock and mounting hardware included.
- Mechanical defeater to bypass and open main enclosure requires Square 7 mm Key.

Finish -

ANSI-61 gray powder coated inside and out.
SS: #4 brushed finish on all exterior surfaces.

IS4 - Industry Standards -

NEMA Type 3R, 4, 12 & Type 13
UL Listed Type 3R, 4 & 12
CSA Type 3R, 4 & 12
IEC 60529 IP66

IS6 - Industry Standards -

NEMA Type 3R, 4, 4X, 12 & Type 13
UL Listed Type 3R, 4, 4X & 12
CSA Type 3R, 4, 4X & 12
IEC 60529 IP66

Catalog No.	Height	Width	Depth	Industry Standard	Product Code	List Price
SCE-EXD18	34.50	15.00	18.00	IS4	P2	606.55
SCE-EXD18SS	34.50	15.00	18.00	IS6	P2	1,713.18

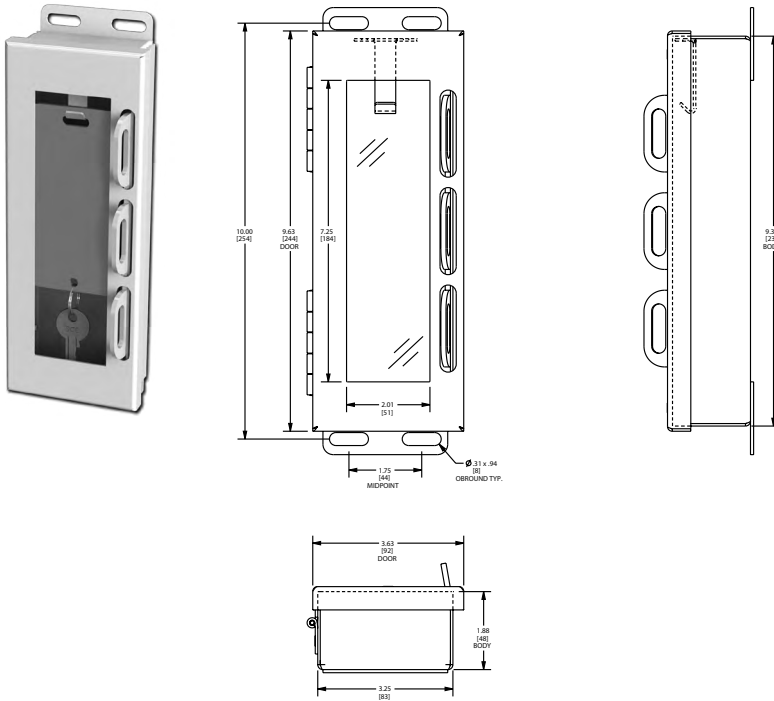


Phone (989) 799-6871
Fax (989) 799-4524



PROTECTIVE ACCESS ENCLOSURES

Catalog No.	Height (A)	Width (B)	Depth (C)	Product Code	List Price
SCE-KLB	9.38	3.25	1.88	P2	195.90



Keylock Box

The keylock box is used to hold and secure a common key for a given set of equipment in the plant. This key is secured in the keylock box allowing for up to 6 locks for security to access.

Large viewing window in the cover provides clear visibility of the key inside.

Large key tag with key ring included with the keylock box.

Catalog No.	Height	Width	Qty. Per Package	Product Code	List Price
SCE-OCL12	12.00	12.00	5	P2	34.88
SCE-OCL24	24.00	24.00	5	P2	96.90



Orange Caution Labels

Safety Orange vinyl Caution Label with Warning Symbols designed for use on interior door for high visibility and warning of potential hazard. Made of high quality durable vinyl, water and oil resistant, with adhesive back for quick easy installation. The vivid safety orange and yellow with the standard Hazard Safety Symbols make them extremely effective in any application.

SERVICE PARTS

Gasket Rolls

Oil-resistant gasket made of a urethane closed cell sponge material. Self adhesive backing. For installation information, consult our Installation Manual at www.saginawcontrol.com. UL, CSA recognized.

IS9 - Industry Standards -
UL Component Recognized
CSA Component Recognized

EMI/RFI Shielded Gasket

Specifically designed to combine outstanding attenuation characteristics and environmental protection against dust, dirt, moisture, and severe temperature variations. For Technical Information, consult our Installation Manual at www.saginawcontrol.com. Made of urethane foam wrapped in nickel plated copper fabric with adhesive backing.

Conductive Tape

Copper foil tape with conductive adhesive backing. Makes it unnecessary to plate an enclosure in preparation for shielding protection. Apply the tape over unprotected steel in a small free area around the perimeter of the door. Provides protection to the steel against corrosion and rusting as well as grounding protection necessary in shielding protection.

Mechanical Defeater for V-Style Disconnects

Designed to prevent the disconnect from being turned to the on position, until the master door is shut and the handle or latch is in the closed/latched position. Works with most standard enclosures with SCE three-point door hardware or quarter turn latches. For Technical Information, consult our Installation Manual at www.saginawcontrol.com.

Defeater Kit

This Defeater Kit is required for use with the Mechanical Defeater when using Siemens and ABB Flange Mounted Disconnect.

Catalog No.	Length	Size	Product Code	List Price
SCE-GA14X1	40 Feet	0.25 x 1.00	P2	29.80
SCE-GA14X75	50 Feet	0.25 x 0.75	P2	28.56
SCE-GA18X50	50 Feet	0.13 x 0.50	P2	21.11

Catalog No.	Length	Size	Product Code	List Price
SCE-EMIG	7 Feet	0.25 x 1.00	P2	119.22

Catalog No.	Length	Size	Product Code	List Price
SCE-SLT	50 Feet	3 MILS x 1.00	P2	144.05

Catalog No.	Description	Product Code	List Price
SCE-MDV	Mechanical Defeater	P2	181.05



Catalog No.	Description	Product Code	List Price
SCE-125738	Mechanical Defeater Kit	P2	9.60

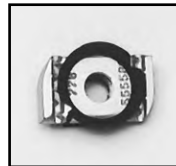
Catalog No.	Suitable For Use With	Qty. Per Kit	Product Code	List Price
SCE-BSW19SS	10-32	50	P2	20.43
SCE-BSW25SS	1/4-20	50	P2	21.69
SCE-BSW31SS	5/16	50	P2	22.38
SCE-BSW38SS	3/8	50	P2	29.95



Catalog No.	Description	Qty. Per Kit	Product Code	List Price
SCE-PS3816CN	3/8 - 16 Strut Nut	20	P2	42.22
SCE-PS1420CN	1/4-20 Strut Nut	20	P2	42.22



SCE-PS1420CN



SCE-PS3816CN

Catalog No.	Description	Qty. Per Kit	Product Code	List Price
SCE-PS1032CN	10-32 for Small Channel	20	P2	36.02



Catalog No.	Description	Qty. Per Kit	Product Code	List Price
SCE-CN1032	10-32 for Rack Angles	20	P2	32.31



SERVICE PARTS

Sealing Washers

Designed for use on the flat surface of environmentally rated enclosures to maintain the rating of type 2, 3, 3R, 3S, 4, 4X & 12 when holes for fastener must be provided for the installation of mounting brackets, drip shields and other accessories on the inside or outside of the enclosure body or doors.

IS10 - Industry Standards -
UL Component Recognized

Channel Nuts

Designed for use in free-standing enclosures to allow mounting of additional equipment.

Channel Nuts

Designed for use with the SCE light channels on the inside top of larger enclosures. For quick easy installation of lights.

Clamping Nuts

Clamping nuts with a #10-32 retained nut to fit all rack mounting angles and rack mounting frames to provide tapped holes. Nuts are zinc plated.

SERVICE PARTS

Touch Up Paint

Available in spray can or paint pen for small scuffs and scratches.

*Consult factory for pricing of custom colors.

Replacement Keys

Standard keys for standard and optional door hardware.

Replacement Hinges

Standard hinges for standard SCE enclosures. Includes hinge, pin and clip.

Captive Screws

Standard captive screw for use on screw cover enclosures. Stainless steel with nylon retainer.

Catalog No.	Description	Color	Product Code	List Price
SCE-TU05	Spray Can	SCE-05 White	P2	45.16
SCE-TU09	Spray Can	ANSI-61 Gray	P2	45.16
SCE-PEN05	Paint Pen	SCE-05 White	P2	10.42
SCE-PEN09	Paint Pen	ANSI-61 Gray	P2	10.42
SCE-PEN7035	Paint Pen	RAL 7035 Gray	P2	10.42

Catalog No.	Description	Qty. Per Package	Product Code	List Price
SCE-K333	Standard Key for Quarter Turn	2	P2	6.56
SCE-KC101	Standard Key for SCE L-Handle	2	P2	6.56
SCE-2233X	Standard Key for Mini Quarter Turn	1	P2	11.50
SCE-110047	5mm Double Bit	1	P2	11.50
SCE-101695	7mm Square	1	P2	11.50
SCE-101697	8mm Square	1	P2	11.50
SCE-107930	7mm Triangular	1	P2	11.50

Catalog No.	Description	Qty. Per Package	Product Code	List Price
SCE-3916	Large Concealed Hinge	1	P2	10.27
SCE-3916SS	Large Concealed Stainless Steel Hinge	1	P2	21.69
SCE-3918	Small Concealed Hinge	2	P2	16.62
SCE-3918SS	Small Concealed Stainless Steel Hinge	2	P2	39.84
SCE-ELJHINGE	ELJ Hinge	1	P2	5.60
SCE-101670	Retaining Clip for Concealed Hinge	20	P2	10.57
SCE-101226	Small Hinge Pin	20	P2	50.40
SCE-101221	Large Hinge Pin	20	P2	26.80

Catalog No.	Description	Qty. Per Package	Product Code	List Price
SCE-102534	10-32 X 5/8 Captive Screw for PB & Screw Cover Enclosure	12	P2	19.03



Phone (989) 799-6871
Fax (989) 799-4524



Catalog No.	Fits Fan Package No.	Fits Filter Assembly No.	Qty. Per Package	Product Code	List Price
SCE-RF44	SCE-FA44/230	SCE-FGA44	1	P2	8.07
SCE-RF66	SCE-FA66/230	SCE-FGA66	1	P2	9.32
SCE-RF1010	SCE-FA1010/230	SCE-FGA1010	1	P2	17.38
SCE-RF517	SCE-BP115/230	SCE-FGABP	1	P2	12.78

Catalog No.	Fits Fan Package No.	Fits Filter Assembly No.	Qty. Per Package	Product Code	List Price
SCE-113947	SCE-N12FA44	SCE-N12FGA44	6	P2	65.57
SCE-113188	SCE-N12FA66	SCE-N12FGA66	6	P2	91.80
SCE-108401	SCE-N12FA1010	SCE-N12FGA1010	6	P2	117.05

Catalog No.	Description	Qty. Per Package	Product Code	List Price
SCE-113282	Dead Front Four Hinge Bolt Pack	1	P2	87.54
SCE-102018	Floor Stand Kit Bolt Pack	8	P2	9.73
SCE-114318	Grounding Kit, 1/4-20	1	P2	7.63
SCE-101966	Grounding Kit, 10-32	1	P2	2.50
SCE-102297	Grounding Kit, 3/8-16	1	P2	2.50
SCE-108619	IMS End Plate Bolt Pack	1	P5	55.42
SCE-102023	Side Mount Subpanel Bolt Pack, 3/8-16	6	P2	16.00
SCE-102022	Standard Defeater Hook Bolt Pack	1	P2	36.82
SCE-102225	Subpanel Bolt Pack, 1/4-20	8	P2	2.50
SCE-102302	Subpanel Bolt Pack, 10-32	4	P2	2.50
SCE-102298	Subpanel Bolt Pack, 3/8-16	4	P2	4.98
SCE-102300	SubPanel Bolt Pack, 3/8-16	8	P2	8.61
SCE-101974	Wall Mount Bolt Pack, EL 3/8-16	4	P2	5.00
SCE-102686	Wall Mount Bolt Pack, ELJ	4	P2	4.98

Catalog No.	Used in Light Fixture	Product Code	List Price
SCE-LEDB18	SCE-LF18 & SCE-LF18NO	P2	55.41
SCE-LEDB24	SCE-LF24 & SCE-LF24NO	P2	70.33
SCE-LEDB18DC	SCE-LF1824VDC	P2	60.41

Catalog No.	Product Code	List Price
SCE-SSCLEAN	P2	45.16

SERVICE PARTS

Replacement Filters

Designed for use with SCE Fan Packages and Filter and Grille Package. Aluminum washable filters provide good air filtration.

Type 12 Replacement Filters

Designed for use with SCE Type 12 Fan Packages and Filter and Grille Package. Filters are made of non-woven polyolefin fiber. Washable up to 10 times.

Bolt Packs

Standard bolt packs for wall-mounting, subpanels, and grounding for standard SCE enclosures.

Replacement LED Bulbs

Replacement bulbs for the LED light fixtures.

Stainless Steel Cleaner

20 ounce aerosol can.

AC SERVICE PARTS

Replacement AC Filters

Designed for use with SCE Air Conditioners. Aluminum washable filters provide good air filtration.

Catalog No.	Fits AC BTU	Qty. Per Package	Product Code	List Price
SCE-AC10BF1	1000	4	P2	37.00
SCE-AC18BF1	1870, 2550, 3400	4	P2	39.00
SCE-AC51BF1	5100, 6800	4	P2	42.00
SCE-AC85BF1	8500, 10200, 13650	4	P2	48.00

Phone (989) 799-6871
Fax (989) 799-4524



NOTES



Phone (989) 799-6871
Fax (989) 799-4524

- 1 Operator System Enclosures
- 2 Wall-Mount Enclosures
- 3 Free-Standing & Floor-Mounted Enclosures
- 4 Modular Enclosures
- 5 Operator System Enclosures (Stainless Steel)
- 6 Wall-Mount Enclosures (Stainless Steel)
- 7 Free-Standing & Floor-Mounted Enclosures (Stainless Steel)
- 8 Non-Metallic Enclosures
- 9 AC Service Parts
- 10 Technical Information
- 11 Index

Technical Information

NEMA

NEMA

NEMA

NEMA

NEMA



SAE

SAE

SAE

SAE

SAE



Phone (989) 799-6871
Fax (989) 799-4524



- 1 Operator System Enclosures
- 2 Wall-Mount Enclosures
- 3 Free-Standing & Floor-Mounted Enclosures
- 4 Modular Enclosures
- 5 Operator System Enclosures (Stainless Steel)
- 6 Wall-Mount Enclosures (Stainless Steel)
- 7 Free-Standing & Floor-Mounted Enclosures (Stainless Steel)
- 8 Non-Metallic Enclosures
- 9 Accessories
- 10 Technical Information
- 11 Index

Technical Information

Industry Standards..... 410 – 412

Thermal Management Chart 413

Material Specifications..... 414

Coating Performance 415

Gasket Performance..... 416

Hinge..... 417

General Product Information..... 418 – 419



Phone (989) 799-6871
Fax (989) 799-4524



1 Operator System Enclosures
2 Wall-Mount Enclosures
3 Free-Standing & Floor-Mounted Enclosures
4 Modular Enclosures
5 Operator System Enclosures (Stainless Steel)
6 Wall-Mount Enclosures (Stainless Steel)
7 Free-Standing & Floor-Mounted Enclosures (Stainless Steel)
8 Non-Metallic Enclosures
9 Accessories
10 Technical Information
11 Index

INDUSTRY STANDARDS / SOURCES OF STANDARDS

These ratings are intended as a guide to help you select the proper enclosure for the environments where it will be installed, when completely and properly installed in **Non-Hazardous Locations**. These rating descriptions are not complete representations of NEMA or IEC standards.

Type 1

For indoor use. To provide a degree of protection to prevent accidental contact with enclosure equipment, in areas where unusual conditions do not exist and to provide a degree of protection against falling dirt.

Type 3

For indoor or outdoor use. To provide a degree of protection against falling dirt, rain, sleet, snow, windblown dust, and external formation of ice.

Type 3R

For indoor or outdoor use. To provide a degree of protection against windblown rain, snow, sleet, and external formation of ice.

Type 3S

For outdoor use. To provide a degree of protection against wind blown dust, windblown rain and sleet; external mechanisms remain operable, while ice laden.

Type 4

For indoor or outdoor use. To provide a degree of protection against windblown rain and dust, splashing or hose directed water, and external formation of ice.

Type 4X

For indoor or outdoor use. To provide a degree of protection against windblown rain and dust, splashing or hose directed water, and external formation of ice. Corrosion resistant.

Type 6P

For indoor or outdoor use. To provide a degree of protection against falling dirt, hose directed water, entry of water during prolonged submersion at a limited depth, and external formation of ice.

Type 12

For indoor use. To provide a degree of protection against dust, falling dirt, dripping non-corrosive liquids, lint, fibers, external condensation of non-corrosive liquids, and light splashing of water.

Type 13

For indoor use primarily. To provide a degree of protection against dust, spraying of water, oil, and noncorrosive coolant.

IP 30*

Protects against incidental contact with wiring and components.

IP 32*

Protects against incidental contact with wiring and components and spraying water 60 degrees from vertical.

IP 54*

Protected against the penetration of dust. Limited ingress with no harmful penetration of dust. Protected against water spray from all directions. Limited ingress permitted.

IP 66*

Totally protected against the penetration of dust. Protected against strong jets of water.

*IEC Publication 60529 Classification of degrees of protection by enclosures from surrounding environment.

NEMA NATIONAL ELECTRICAL MANUFACTURERS ASSOCIATION

2101 L. Street Northwest • Washington, D.C. 20037

NEMA Standards Publication No. 250 - Enclosures for Electrical Equipment (1000 Volts Maximum)

NEMA Standards Publication No. ICS6 - Enclosures for Industrial Controls and Systems



INTERNATIONAL ELECTROTECHNICAL COMMISSION

3 Rue de Varembe • CH-1211 • Geneva 20, Switzerland

IEC 60529 Classification of Degrees of Protection Provided by Enclosures



UNDERWRITERS LABORATORIES, INC.

333 Plingsten Road • Northbrook, IL 60062-2096

UL50 Cabinets and Boxes

UL508 Industrial Control Equipment

CANADIAN STANDARDS ASSOCIATION

178 Rexdale Blvd. • Rexdale (Toronto), Ontario, Canada M9W 1R3

CSA Standard C22.2 No. 94 Industrial Control Equipment for Use in Ordinary (Non-Hazardous) Locations

NATIONAL FIRE PROTECTION ASSOCIATION

One Battery March Park • Quincy, MA 02269

NFPA 70 National Electrical (1999)

SAE SOCIETY OF AUTOMOTIVE ENGINEERS, INC.

MANUFACTURING STANDARDS OF GENERAL MOTORS, FORD MOTOR COMPANY, AND DAIMLER CHRYSLER CORP.

400 Commonwealth Drive • Warrendale, PA 15096-0001

SAE Supplement to NFPA 79-1991

FORD MANUFACTURING STANDARDS

Ford Motor Company • The American Road • Dearborn, MI 48121

INDUSTRY STANDARDS / CATALOG REFERENCES

On each catalog page you will find the Industry Standards as listed below identifying the industry standards to the series of parts on that page, adjacent to each part number you find a corresponding number IS1 through IS24 indicating the specific Industry Standards that apply to the specific part.

IS1 - Industry Standards -
NEMA Type 12 & Type 13
UL Listed Type 12
CSA Type 12
IEC 60529 IP55

IS2 - Industry Standards -
NEMA Type 4, 12 & Type 13
UL Listed Type 4 & 12
CSA Type 4 & 12
IEC 60529 IP66

IS3 - Industry Standards -
NEMA Type 3R, 12 & Type 13
UL Listed Type 3R & 12
CSA Type 3R & 12
IEC 60529 IP55

IS4 - Industry Standards -
NEMA Type 3R, 4, 12 & Type 13
UL Listed Type 3R, 4, & 12
CSA Type 3R, 4 & 12
IEC 60529 IP66

IS5 - Industry Standards -
NEMA Type 4, 4X, 12 & Type 13
UL Listed Type 4, 4X & 12
CSA Type 4, 4X & 12
IEC 60529 IP66

IS6 - Industry Standards -
NEMA Type 3R, 4, 4X, 12 & Type 13
UL Listed Type 3R, 4, 4X & 12
CSA Type 3R, 4, 4X & 12
IEC 60529 IP66

IS7 - Industry Standards -
NEMA Type 3R
UL Listed Type 3R
CSA Type 3R
IEC 60529 IP32

IS8 - Industry Standards -
NEMA Type 1
UL Listed Type 1
CSA Type 1
IEC 60529 IP30

IS9 - Industry Standards -
UL Component Recognized
CSA Component Recognized

IS10 - Industry Standards -
UL Component Recognized

IS11 - Industry Standards -
UL Component Recognized Type 3R

IS16 - Industry Standards -
NEMA Type 3RX
UL Listed Type 3RX
CSA Type 3RX
IEC 60529 IP32

IS17 - Industry Standards -
NEMA Not Applicable
UL Not Applicable
CSA N/A

IS19 - Industry Standards -
UL Recognized Type 3R, 4 & 12
IEC 60529 IP56

IS20 - Industry Standards -
UL Recognized Type 3R, 4, 4X & 12
IEC 60529 IP56

IS22 - Industry Standards -
UL Recognized Type 3R & 12
IEC 60529 IP54

IS24 - Industry Standards -
UL Component Recognized

Special Instructions apply for IS3, IS4 and IS6 to maintain the environmental rating of Type 3R for these parts. Instructions are included in the enclosure. To maintain Type 3R listing, Drainage is required. Install equally rated drainage device or drill a 1/8 to 1/4 inch hole in the bottom center of the enclosure, approximately 1 inch from the right, and 1 inch from the left for drainage, use listed rain-tight or wet location hubs. Drip shield over the door is recommended for all outdoor applications.

COMPARISON OF IEC AND CSA NEMA, UL AND CUL RATING

NEMA 250 and UL 50 specify requirements and test for the degree of protection against entry as well as environmental conditions such as falling dirt, ice, corrosion, oil and coolants whereas IEC 60529 does not have such requirements. Different rating requirements make comparison difficult and disagreements are common.

The IEC designation consists of the letters IP followed by two numerals. The first number indicates the degree of protection against access to hazardous parts and solid foreign objects entering the enclosure. The second number indicates the degree of protection provided by the enclosure with respect to the harmful ingress of water.

CAUTION IS NECESSARY WHEN ATTEMPTING TO EQUATE IEC AND NEMA ENCLOSURE RATINGS BECAUSE AN EXACT EQUIVALENCE IS NOT POSSIBLE.

IP FIRST CHARACTER	"TYPE" RATED ENCLOSURES														IP SECOND CHARACTER	
	1	2	3	3R	3S	4	4X	5	6	6P	12	12K	13			
IP0_	Shaded	Shaded	Shaded	Shaded	Shaded	Shaded	Shaded	Shaded	Shaded	Shaded	Shaded	Shaded	Shaded	Shaded		IP_0
IP1_		Shaded	Shaded	Shaded	Shaded	Shaded	Shaded	Shaded	Shaded	Shaded	Shaded	Shaded	Shaded	Shaded		IP_1
IP2_	Shaded	Shaded	Shaded	Shaded	Shaded	Shaded	Shaded	Shaded	Shaded	Shaded	Shaded	Shaded	Shaded	Shaded		IP_2
IP3_			Shaded	Shaded	Shaded	Shaded	Shaded	Shaded	Shaded	Shaded	Shaded	Shaded	Shaded	Shaded		IP_3
IP4_				Shaded	Shaded	Shaded	Shaded	Shaded	Shaded	Shaded	Shaded	Shaded	Shaded	Shaded		IP_4
IP5_					Shaded	Shaded	Shaded	Shaded	Shaded	Shaded	Shaded	Shaded	Shaded	Shaded		IP_5
IP6_						Shaded	Shaded	Shaded	Shaded	Shaded	Shaded	Shaded	Shaded	Shaded		IP_6
										Shaded	Shaded	Shaded	Shaded	Shaded		IP_7
																IP_8
	A	B	A	B	A	B	A	B	A	B	A	B	A	B	A	B

A = IP FIRST CHARACTER

A shaded block in the "A" column indicates that the enclosure type exceeds the requirements for the respective IEC 60529 IP first character designation. The IP first character designation is the degree of protection against access to hazardous parts and solid foreign objects.

B = IP SECOND CHARACTER

A shaded block in the "B" column indicates that the NEMA Enclosure type exceeds the requirements for the respective IEC 60529 IP second character designation. The IP second character designation is the degree of protection against the ingress of water.

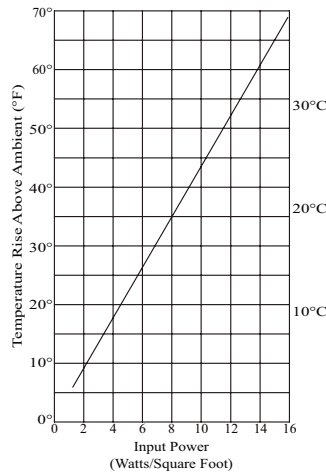
THERMAL MANAGEMENT CHART

Enclosure Temperature Rise Heat Dissipation in Electrical Enclosures

Surface Area = 2[(Height x Width)+(Height x Depth)+(Width x Depth)]÷144
 Input Power = Watts ÷ Total Sq. Ft.

Example:

Surface Area = 2[(48 x 36) + (48 x 16) + (36 x 16)] ÷ 144 = 42 Sq. Ft.
 Input Power = 300 ÷ 42 = 8.1 Watts per Sq. Ft.



EXAMPLE

An enclosure generates 550 Watts of internal heat. Maximum temperature inside the enclosure is 100°F. The maximum temperature outside the enclosure is 85°F.

Step 1: 550 Watts

Step 2: 100°F - 85°F = 15°F
(internal temperature difference)

Step 3: Plot application.

Step 4: Select best combination for filter and fan package(s) and exhaust grille kit(s).

Alternate Method of Selection:

Step 1: Choose a filter fan package.

Step 2: Draw a vertical line from the fan package.

Step 3: Draw a horizontal line from the internal heat load in Watts.

Step 4: The point of intersection is the approximate internal temperature difference using the selected fan package.

- SCE-FA/N12FA (Fan Package)
Filter, Fan & Grille
- SCE-CF (Cooling Fan)
Fan Motor & Finger Guard
- SCE-BP (Blower Package)

Step 1: Determine the internal heat load in Watts.

Step 2: Determine temperature difference between the maximum temperature outside the enclosure and the maximum allowable temperature inside the enclosure.

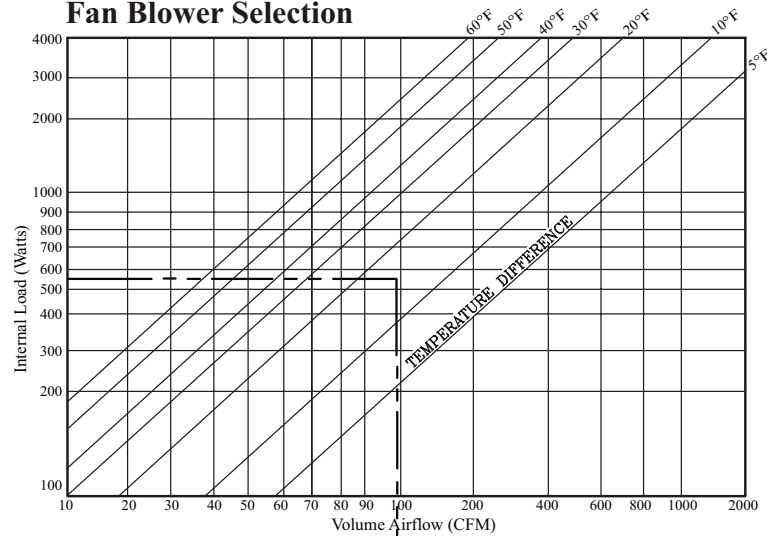
Step 3: Plot your application on the chart.

- a) Find the internal heat load in Watts. (vertical scale)
- b) Draw a horizontal line to the point of intersection with the diagonal line representing temperature difference.
- c) From that point, extend a vertical line down to the horizontal scale to determine your CFM requirement.
- d) Continue the vertical line to the table to identify applicable filter fan package(s).

Step 4: Select the filter fan package and exhaust grille kit which best fits the application.

Help Notes - Electronic Conversions:
 1 Watt = 3.413 BTU/hr
 Volts x Amps = Watts

Fan Blower Selection



SCE-CF4	95/115 CFM
SCE-CF4-230	
SCE-CF6	203/238 CFM
SCE-CF6-230	
SCE-CF10	600/665 CFM
SCE-CF10-230	
SCE-FA44	63/75 CFM
SCE-FA44-230	
SCE-FA66	135/158 CFM
SCE-FA66-230	
SCE-FA1010	400/440 CFM
SCE-FA1010-230	
SCE-FA66-24VDC	155 CFM
SCE-FA1010-24VDC	425 CFM
SCE-BP115	190/230 CFM
SCE-BP230	
SCE-N12FA44	
SCE-N12FA44-230	26/29 CFM
SCE-N12FA44LG	
SCE-N3RFA44	
SCE-N3RFA44-230	
SCE-N12FA66	
SCE-N12FA66-230	135/159 CFM
SCE-N3RFA66	
SCE-N3RFA66-230	
SCE-N12FA1010	
SCE-N12FA1010-230	306/341 CFM
SCE-N12FA1010LG	
SCE-N3RFA1010	
SCE-N3RFA1010-230	
SCE-N12FA10HF	
SCE-N12FA10HF-230	483/547 CFM
SCE-N12FA10HF-460	
SCE-N12FA44-24VDC	27 CFM
SCE-N12FA44-24VDCLG	
SCE-N12FA66-24VDC	
SCE-N12FA66-24VDCLG	132 CFM
SCE-N3RFA10HF	
SCE-N3RFA10HF-230	435/494 CFM

MATERIAL SPECIFICATIONS

Hot Rolled Steel (ASTM A569)

A low carbon, hot finished steel, produced by passing bar stock between a set of rolls at a temperature above the recrystallization temperature. Scale is removed by means of a hot, weak sulfuric acid bath, after which an oil film is applied.

Cold Rolled Steel (ASTM A366)

A low carbon, cold finished steel, produced by passing bar stock between a set of rolls.

Galvanized Steel (ASTM A526)

Steel which is zinc coated to provide corrosion resistance. Hot dip galvanizing is the most common method of applying zinc coating. Other methods include electrodeposition and metal spraying. Galvanizing provides protection against corrosion by serving as a sacrificial barrier and providing cathodic protection.

Galvannealed Steel (ASTM A525)

Steel which is zinc coated on both sides. It is designed to be used in the painted condition. Typically hot dipped to A40 and A60 designations.

Features of galvannealed steel:

- Corrosion resistance.
- Excellent for paint.
- Easy to weld.
- The combination of galvannealed steel and properly selected paint offers resistance to peeling and blistering.

Fiberglass

Thermoset polyester reinforced with glass fiber, processed by injection molding, compression molding, pultrusion, and open molding.

Features of fiberglass:

- High impact resistance.
- A superior range of temperature limits.
- Excellent dimensional stability.
- Excellent electrical properties.
- Excellent chemical resistance.
- Excellent moisture resistance.

Polyamide (Nylon)

A high performance thermoplastic processed by injection molding.

Features of polyamide:

- High impact resistance.
- Wide temperature limits.
- Excellent wear resistance.
- Excellent chemical resistance.

Stainless Steel (Type 304)

Stainless steel is a highly corrosion resistant iron based alloy containing between 18% and 20% chromium. Stainless steel is a good corrosion resistant material which is generally considered non-magnetic. It exhibits many of the same resistances attributed to fiberglass material and resistance to highly polar solvents such as acetone.

Stainless Steel (Type 316/316L)

Type 316/316L provides improved corrosion resistance to that of other chrome nickel steels. It is used when exposed to chemical corrodents, as well as marine atmospheres. It provides improved resistance to salt, some acids and high temperature. Resistance to sulfates and chlorine is less than type 304.

Aluminum (Type 5052)

A lightweight metal that forms a natural oxide layer which shields its surface from most corrosive elements. Type 5052 is the strongest non-heat treatable aluminum alloy.

Polycarbonate

A high performance thermoplastic resin that is processed by injection molding or sheet extrusion.

Features of polycarbonate:

- High impact resistance.
- A wide range of temperature limits.
- Good dimensional stability.
- Good electrical properties.

Polyester (PBT)

A high performance thermoplastic resin that is processed by injection molding.

Features of polyester:

- High impact resistance.
- A wide range of temperature limits.
- Good dimensional stability.
- Excellent electrical properties.
- Excellent chemical resistance.
- Excellent moisture resistance.

Zinc Die Casting (Zamak #5)

A zinc die cast is formed when a molten zinc alloy is forced under high pressure into a steel die. SCE uses zinc die casting application Zamak #5, which is the addition of approx. 1% copper to the #3 alloy. This increases the tensile strength of the casting approx. 15%.

Features of Zinc die casting:

- Zinc die castings are strong, economical and often cast to the exact shape needed without additional machining.
- Zinc is a non-ferrous metal, it will not rust.
- Zinc is an abundant natural element which is mined and used in many applications.

COATING PERFORMANCE CHARACTERISTICS

	POWDER COAT				HIGH SOLIDS	
	SCE STANDARD	FOR REFERENCE ONLY				
	Polyester TGIC	Urethane	Hybrid	Epoxy	Monobake	Permaclad
Pencil Hardness	2H - 3H	H - 2H	H - 2H	3H - 5H	H - 2H	H - 2H
Stain Resistance	EXCELLENT	GOOD	GOOD	EXCELLENT	GOOD	GOOD
Adhesion to C.R.S.	EXCELLENT	EXCELLENT	EXCELLENT	EXCELLENT	GOOD	EXCELLENT
Mar Resistance	EXCELLENT	GOOD	GOOD	EXCELLENT	GOOD	EXCELLENT
Chip Resistance	EXCELLENT	EXCELLENT	EXCELLENT	EXCELLENT	GOOD	EXCELLENT
Flexibility	PASS 1/8"	PASS 1/8"	PASS 1/8"	PASS 1/8"	PASS 1/8"	PASS 1/8"
Direct Impact	60-160 IN-LBS	60-160 IN-LBS	60-160 IN-LBS	60-160 IN-LBS	60-160 IN-LBS	60-160 IN-LBS
Salt Spray	>800 HRS	>600 HRS	>600 HRS	>800 HRS	>600 HRS	>600 HRS
UV Resistance	EXCELLENT	EXCELLENT	POOR	POOR	POOR	EXCELLENT
Heat Resistance	300°F	250°F	250°F	300°F	250°F	250°F
Humidity	>1200 HRS	>1000 HRS	>1000 HRS	>1200 HRS	>1000 HRS	>1000 HRS
Solvent Resistance	GOOD	GOOD	GOOD	EXCELLENT	GOOD	GOOD
MEK	LITTLE EFFECT	DULLS GLOSS	DULLS GLOSS	NO EFFECT	DULLS GLOSS	DULLS GLOSS
Xylene	NO EFFECT	NO EFFECT	NO EFFECT	NO EFFECT	LITTLE EFFECT	NO EFFECT

Automotive Fluid Resistance 16 Hour Immersion

Gasohol	NO EFFECT	SWELLS	LITTLE EFFECT	NO EFFECT	LITTLE EFFECT	NO EFFECT
Brake Fluid	DULLS GLOSS	BLISTERS	BLISTERS	DULLS GLOSS	BLISTERS	DULLS GLOSS
Antifreeze	NO EFFECT	NO EFFECT	NO EFFECT	NO EFFECT	NO EFFECT	NO EFFECT
Motor Oil	NO EFFECT	SWELLS	NO EFFECT	NO EFFECT	NO EFFECT	NO EFFECT

Environmental Benefits of Using Powder Coat Products

Solvent-free coatings enable us to comply with changing environmental regulation by dramatically reducing emissions that occur when using solvent-based coatings, while at the same time providing a more dependable and durable product.

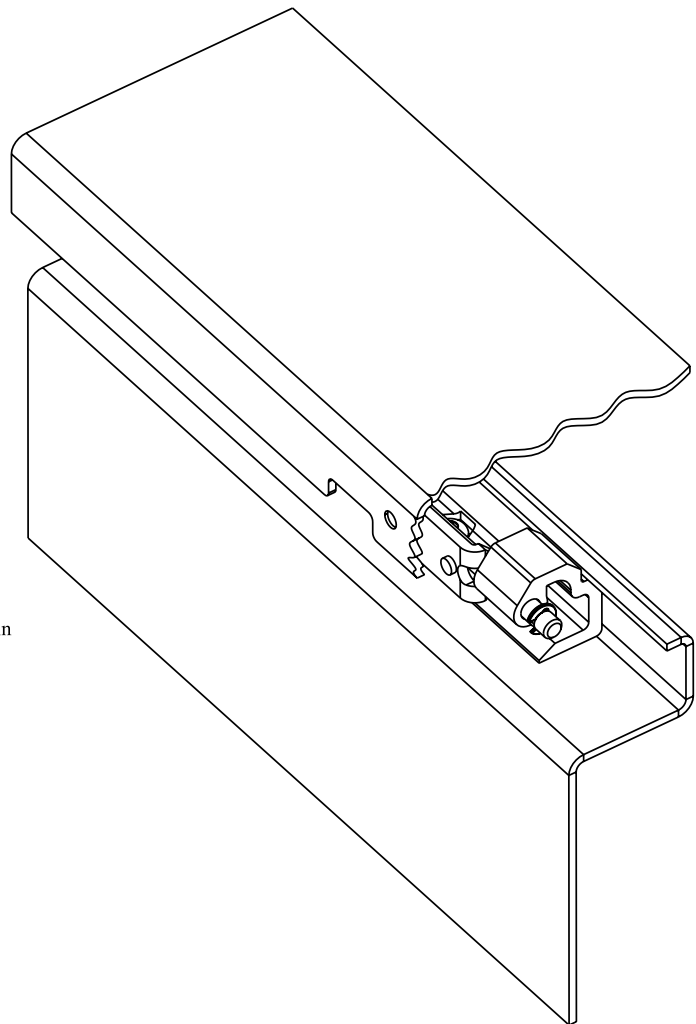
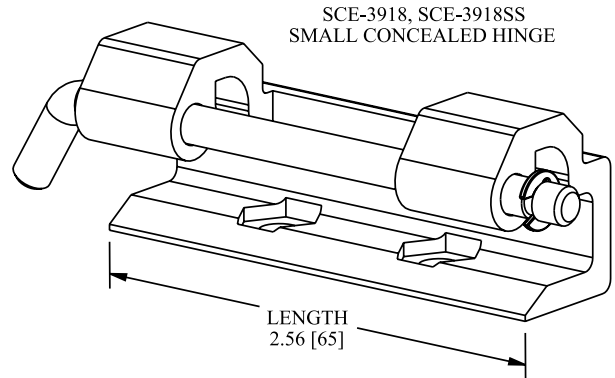
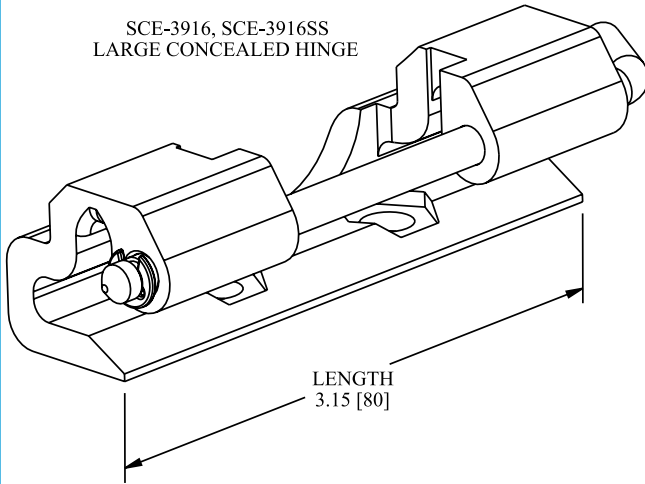
GASKET PERFORMANCE CHARACTERISTICS

	SCE STANDARD		FOR REFERENCE ONLY		
	Strip Gasket Urethane Sponge Rubber	Pour-In-Place Gasket Urethane Sponge Rubber	Neoprene Sponge Rubber	Silicone Sponge Rubber	Viton Sponge Rubber
	10 LBS / 15LBS	10 LBS / 15LBS	10 LBS / 15LBS	10 LBS / 15LBS	10 LBS / 15LBS
Cold Flexability	EXCELLENT	EXCELLENT	EXCELLENT	EXCELLENT	EXCELLENT
Stain Resistance	GOOD	GOOD	POOR	EXCELLENT	GOOD
Compression Set	EXCELLENT	EXCELLENT	POOR	EXCELLENT	EXCELLENT
Heat Resistance 220°	GOOD	GOOD	POOR	EXCELLENT	EXCELLENT
Uv Resistance	EXCELLENT	EXCELLENT	GOOD	EXCELLENT	GOOD
Corrosion Resistance	EXCELLENT	EXCELLENT	GOOD	EXCELLENT	EXCELLENT
Water Resistance	GOOD	GOOD	GOOD	EXCELLENT	EXCELLENT
Fungal Resistance	GOOD	GOOD	POOR	GOOD	GOOD
Sea Water	EXCELLENT	EXCELLENT	EXCELLENT	EXCELLENT	EXCELLENT
Chlorine Water	EXCELLENT	EXCELLENT	GOOD	EXCELLENT	EXCELLENT
Dark Cutting Oil	EXCELLENT	EXCELLENT	POOR	POOR	EXCELLENT
Cutting Fluid	EXCELLENT	EXCELLENT	POOR	EXCELLENT	POOR
Mek	GOOD	GOOD	POOR	POOR	POOR
Xylene	GOOD	GOOD	POOR	POOR	POOR
Surfuric Acid	POOR	POOR	EXCELLENT	EXCELLENT	EXCELLENT
Phosphoric Acid	POOR	POOR	EXCELLENT	EXCELLENT	EXCELLENT
Citric Acid	POOR	POOR	POOR	EXCELLENT	EXCELLENT

AUTOMOTIVE FLUID RESISTANCE

Unleaded Gasoline	EXCELLENT	EXCELLENT	POOR	POOR	POOR
Brake Fluid	GOOD	GOOD	POOR	POOR	EXCELLENT
Antifreeze	GOOD	GOOD	GOOD	GOOD	GOOD
Motor Oil	EXCELLENT	EXCELLENT	POOR	POOR	EXCELLENT

SCE CONCEALED HINGES



SCE Concealed Hinge
 SCE Concealed Hinges are made of Zinc (Zamak #5) Stainless Steel.
 Doors easily removed for field replacements or to make modifications and add your cutouts, without being concerned with hinge alignment.
 Hinges are concealed for increased cosmetic appearance and makes the hinge pin tamper resistant.
 Increased corrosion protection because the hinges are installed after the coating operation.
 Hinge pins are Stainless Steel.
 Doors open 180 degrees.

SCE-3916 Large Concealed Hinge.
 SCE-3916SS Large Concealed Hinge Stainless Steel.

Maximum Recommended Weight Added to the door.
 Two Hinge 100 lbs
 Three Hinge 250 lbs
 Four Hinge 350 lbs

SCE-3918 Small Concealed Hinge.
 SCE-3918SS Small Concealed Hinge Stainless Steel.

Maximum Recommended Weight Added to the door.
 Two Hinge 75 lbs
 Three Hinge 175 lbs
 Four Hinge 250 lbs

Note: It is always recommended that the weight is distributed equally through out the door or nearest the hinge side of the door with any type of hinge. Maximum recommended door width 40 in.

GENERAL PRODUCT INFORMATION

Ordering Information

Orders can be placed with Saginaw Control directly through the sales department at our factory or with an authorized sales representative. All items which must be added to the enclosure must be ordered separately. Prices printed in this catalog supersede all previously published lists. Prices are subject to change without notice, and any errors in this publication will be corrected on the succeeding price list. Prices do not include sub-panels unless the sub-panel has been specified as included with the enclosure.

Installation Instructions

For the convenience of our customers, SCE has an Installation Manual available at www.saginawcontrol.com. These instructions cover a wide range of topics from disconnect information to detailed drawings of parts.

Cooling and Air Conditioning

A variety of air conditioning and cooling options are available for stock and custom ordered enclosures. Please contact a sales representative to solve your air conditioning needs.

Application

Saginaw Control & Engineering products are designed primarily for industrial or commercial electrical applications. Utilization of the products shown in this catalog for this purpose should be done only by qualified electrical technicians or professional electricians. Design, selection, installation and use of SCE products must conform to all applicable local, state and federal laws, regulations and ordinances.

Shipping, Storage, Assembly and Mounting

Enclosures are designed and manufactured for permanent floor or wall mounting. Until securely mounted, many enclosures require stabilizing support. Care should be taken during storage, handling, and assembly to avoid severe impacts or shocks. Enclosures must be mounted securely to structures which can completely support the weight of the enclosure and components. SCE is not responsible for damage to enclosures due to improper packaging after installation of equipment and components.

Dimensions, Specifications and Weights

Dimensions, specifications and weights are intended as representations of the size, function, appearance and weight of our products. They are not intended to show details of construction, design, or to be used as engineering specifications. Shipping weights included in this catalog do not include the weight of the sub-panel or any other accessories unless specified as included with the enclosure. Because technical details of construction and design are subject to change without notice, we recommend that you consult Saginaw Control and Engineering for current technical data.

Environmental Protection and Finish

SCE enclosures, unless otherwise specified, are finished with a polyester powder coat recoatable finish over 7-stage pretreatment process. These finishes will provide ordinary protection against corrosion in average industrial indoor areas. Special materials and finishes are available for outdoor use or special environments, and must be specified at the time of the order.

Additions, Alterations, Connections and Wiring

SCE enclosures are designed to meet the specifications as described in this catalog. The safety or effectiveness of any additions or alterations cannot be assured if they are not made in the plant. Accessory items are designed to function with SCE enclosures. Accessories are for use only as described in this catalog. Before any circuits are energized, all internal and external electrical and mechanical clearances must be checked to assure proper functioning. Due to the variety of installed equipment, applications, and location, SCE cannot anticipate all possible interferences. Designers, assemblers and installers must consult with equipment manufacturers and observe all safe practices and procedures.

Phone (989) 799-6871
Fax (989) 799-4524



GENERAL PRODUCT INFORMATION

Materials

Saginaw Control & Engineering is using laser technology in production of our enclosures. This technology requires that the steel used meet exacting specifications. In order to reflect this change, we have changed our material specifications for the enclosures. The use of actual dimensions is more accurate than stating an enclosure is made of a certain gauge of steel. For example, we list our Enviroline® Enclosures as being made of 0.075" carbon steel. Previously, this would have been listed as a 14 gauge steel. 14 gauge steel can range from .0677" to .0817" thick. Therefore, by specifying the thickness, SCE can produce a more consistent product.

carbon steel – For interior or exterior applications. This steel must have a corrosion resistant finish applied.

Type 304 Stainless – For interior or exterior applications, especially dairies, breweries, food processing areas, or areas that are wet or regularly hosed down. No additional finish is necessary.

Type 316/316L Stainless – For interior or exterior applications, especially marine environments with increased exposure to salt, or areas with extremely high temperatures. No additional finish is necessary. Most SCE enclosures can be custom built from Type 316/316L material.

Fiberglass – For interior or exterior applications, especially for exposure to salt, corrosive agents, chemicals, or extremely wet areas. No additional finish is necessary.

Design Support

Saginaw Control has a skilled, experienced design team ready to help you design your enclosure to fit your specific requirements. Simply fax your sketch and/or specifications, and our staff will design your enclosure, console, or precision sheet metal fabrication. If you prefer, you can send your own drawings to SCE via electronic mail or fax and let SCE handle the rest.

For your convenience, CAD drawings of stock SCE enclosures are now available from our Internet web site. Simply move the CAD drawings of a stock enclosure to your system, make the desired modifications, and send it to SCE!

Finishes

Finish Types include both high solids and powder coat finishes.

Polyester Powder – A powder finish with an irregular surface. Suitable for interior or exterior applications. Offers superior corrosion resistance, chemical resistance, weather protection, and resistance to scrapes and scratches.

Recoating – All SCE stock enclosures can be easily recoated. To ensure good adhesion, sand all surfaces with 220 to 400 grit sandpaper. Wet wipe all surfaces with Aliphatic Solvent or detergent wash. (Always follow instructions provided by your paint manufacturer). Surface must be dry and free of oil, dust, dirt or any other foreign substances before recoating. To avoid discoloration of Alkyd finishes, do not bake over 250 degree F.

Compatible paints are:

1. All Industrial Enamel
2. Acrylic Enamel
3. Epoxy
4. Polyurethane
5. Polyester

For any other type of paint, check with your paint manufacturer to be sure that the paint you are applying is compatible with the paint on your SCE product.

Custom Orders

Contact your local Sales Representative or a factory representative. They will assist you in quoting price and delivery for your needs.

Your purchase order should include:

- Quantity
- Size (Height x Width x Depth)
- Sub-panel Size (Height x Width)
- Sub-panel Location
- Finish Specifications
- Lead Time / Delivery Deadline
- Material
- Special Instructions
- Drawing Numbers (If Applicable)

NOTES

- 11 Index
- 10 Technical Information
- 9 Accessories
- 8 Non-Metallic Enclosures
- 7 Free-Standing & Floor-Mounted Enclosures (Stainless Steel)
- 6 Wall-Mount Enclosures (Stainless Steel)
- 5 Operator System Enclosures (Stainless Steel)
- 4 Modular Enclosures
- 3 Free-Standing & Floor-Mounted Enclosures
- 2 Wall-Mount Enclosures
- 1 Operator System Enclosures

Phone (989) 799-6871
 Fax (989) 799-4524



NOTES



Phone (989) 799-6871
Fax (989) 799-4524

- 1 Operator System Enclosures
- 2 Wall-Mount Enclosures
- 3 Free-Standing & Floor-Mounted Enclosures
- 4 Modular Enclosures
- 5 Operator System Enclosures (Stainless Steel)
- 6 Wall-Mount Enclosures (Stainless Steel)
- 7 Free-Standing & Floor-Mounted Enclosures (Stainless Steel)
- 8 Non-Metallic Enclosures
- 9 Accessories
- 10 Technical Information
- 11 Index

PRODUCT NAME INDEX

PRODUCT NAME	PAGE NO.	PRODUCT NAME	PAGE NO.
A		D	
AC Replacement Filters	406	Continuous Hinge Junction Enclosures, Stainless Steel	244
AC Service Parts	406	Convenience Receptacles	356
Accessories, Free-Standing	132	Coolers, Thermoelectric	334
Accessories, Industrial Modular System (IMS)	182	Cooling Fans	349
Accessories, Modular Enclosures	169	CSE Program	4
Accessories, Work Station	26	D	
Air Conditioners, 1000 BTU	320	Dead Front Extension Bracket	392
Air Conditioners, 10200 BTU	328	Dead Front Panels	392
Air Conditioners, 13650 BTU	329	Desk Consoles	16
Air Conditioners, 1870 BTU	322	Desk Consoles, Stainless Steel	200
Air Conditioners, 2550 BTU	322	Desktop Work Station	22
Air Conditioners, 3400 BTU	324	Desktop Work Station, Stainless Steel	206
Air Conditioners, 5100 BTU	326	Disconnect Adapters	365
Air Conditioners, 6800 BTU	326	Disconnect Cover Plates	365
Air Conditioners, 8500 BTU	328	Disconnect Enclosures, Clamp Fastened Single-Door	100
Air Conditioners, Enviro-Therm	320	Disconnect Enclosures, Clamp Fastened Single-Door Stainless Steel	266
Aluminum Sub-Panels	388	Disconnect Enclosures, Enviroline Single-Door	94
Angle Iron Mounting Feet	376	Disconnect Enclosures, Enviroline Single-Door Stainless Steel	260
B		Disconnect Enclosures, Enviroline Sloping Top Single-Door Stainless Steel	264
Barrier Extension	395	Disconnect Enclosures, Enviroline Sloping Top Two-Door Stainless Steel	284
Barrier Plates	395	Disconnect Enclosures, Enviroline Two-Door	150
Bases	361	Disconnect Enclosures, Enviroline Two-Door Stainless Steel	282
Blower Packages	345	Disconnect Enclosures, Free-Standing / Wall-Mount Multi-Door	144
Bolt Packs	405	Disconnect Enclosures, Heavy Duty Free-Standing	152
Breather Vent	345	Disconnect Enclosures, Heavy Duty Free-Standing Stainless Steel	286
C		Disconnect Enclosures, Heavy Duty w/ External Disconnect Installed	160
Cable Door Stops	358	Disconnect Enclosures, Heavy Duty w/ External Disconnect Installed S.S.	294
Captive Screws	404	Disconnect Enclosures, Single-Door w/ SCE Hardware	98
Caster Kit	376	Disconnect Enclosures, Two-Door Floor-Mounted	150
CD Pocket	396	Disconnect Enclosures, Vented Type 3R	102
Changeover Thermostat	344	Disk Pocket	396
Channel Nuts	403	Door Gasket	402
Clamp Cover Enclosures, Fiberglass	314	Door Hardware	352
Clamp Fastened Single-Door Disconnect Enclosures	100	Door Stop Kit	358
Clamp Fastened Single-Door Disconnect Enclosures, Stainless Steel	266	Drain Vent	345
Clamp Fastened Single-Door Enclosures	86	Drip Shield Kits	360
Clamp Fastened Single-Door Enclosures, Stainless Steel	254	Dual Access, Single-Door Free-Standing Enclosures	128
Clamping Nuts	403	Dual Access, Two-Door Free-Standing Enclosures	130
Clamps	355	Dual Thermostat	344
Cleaner, Stainless Steel	405	E	
Columns	361	EL Flush Mount Frames	374
Conductive Tape	402	Electrical Interlock	364
Consoles, Desk	16	Electrical Interlock Defeater	364
Consoles, Desk Stainless Steel	200	ELJ Consolets	8
Consoles, Series 14	12	ELJ Consolets, Stainless Steel	198
Consoles, Series 9	10	EMI Gasket	402
Consolets, ELJ	8	Enviroline Junction Enclosures	64
Consolets, ELJ Stainless Steel	198	Enviroline Junction Enclosures w/ Viewing Window	68
Continuous Hinge Junction Enclosures	74		

Phone (989) 799-6871
Fax (989) 799-4524



1 Operator System Enclosures
2 Wall-Mount Enclosures
3 Free-Standing & Floor-Mounted Enclosures
4 Modular Enclosures
5 Operator System Enclosures (Stainless Steel)
6 Wall-Mount Enclosures (Stainless Steel)
7 Free-Standing & Floor-Mounted Enclosures (Stainless Steel)
8 Non-Metallic Enclosures
9 Accessories
10 Technical Information
11 Index

PRODUCT NAME	PAGE NO.
Enviroline Junction Enclosures w/ Viewing Window, Stainless Steel	238
Enviroline Junction Enclosures, Stainless Steel	236
Enviroline Junction Trough Enclosures	70
Enviroline Junction Trough Enclosures w/ Viewing Window	72
Enviroline Junction Trough Enclosures w/ Viewing Window, Stainless Steel	242
Enviroline Junction Trough Enclosures, Stainless Steel	240
Enviroline Single-Door Disconnect Enclosures	94
Enviroline Single-Door Disconnect Enclosures, Stainless Steel	260
Enviroline Single-Door Enclosures	78
Enviroline Single-Door Enclosures w/ 3-Point Hardware	84
Enviroline Single-Door Enclosures w/ 3-Point Hardware, Stainless Steel	246
Enviroline Single-Door Enclosures, Free-Standing Stainless Steel	276
Enviroline Single-Door Enclosures, Stainless Steel	248
Enviroline Sloping Top Single-Door Disconnect Enclosures, Stainless Steel	264
Enviroline Sloping Top Single-Door Enclosures, Stainless Steel	252
Enviroline Sloping Top Two-Door Disconnect Enclosures, Stainless Steel	284
Enviroline Sloping Top Two-Door Enclosures, Stainless Steel	274
Enviroline Two-Door Disconnect Enclosures	150
Enviroline Two-Door Disconnect Enclosures, Stainless Steel	282
Enviroline Two-Door Enclosures, Floor-Mounted	118
Enviroline Two-Door Enclosures, Floor-Mounted Stainless Steel	272
Enviroline Two-Door Enclosures, Free-Standing	126
Enviroline Two-Door Enclosures, Free-Standing Stainless Steel	278
Enviroline Two-Door Enclosures, Wall-Mount	90
Enviroline Two-Door Enclosures, Wall-Mount Stainless Steel	258
Enviro-Therm Air Conditioners	320
Enviro-Therm Heat Exchangers	340
Exterior Print Pockets	396
External Disconnect Enclosures	400
F	
Fan Heaters	350
Fan Heaters w/ Thermostat	350
Fans & Filter Packages	347
Fans & Filter Packages, Type 12	346
Fans & Filter Packages, Type 3R	348
Fans, Cooling	349
Fiberglass Clamp Cover Enclosures	314
Fiberglass Junction Enclosures	310
Fiberglass Junction Enclosures w/ Viewing Window	312
Fiberglass Pushbutton Enclosures	306
Fiberglass Screw Cover Enclosures	308
Filler Plates	389
Filter Assembly	351
Filters, Replacement	405
Finger Guards	349
Floor Stand Kits	378
Floor-Mounted, Enviroline Two-Door Disconnect Enclosures	150
Floor-Mounted, Enviroline Two-Door Disconnect Enclosures Stainless Steel	282
Floor-Mounted, Enviroline Two-Door Enclosures	118
Floor-Mounted, Enviroline Two-Door Enclosures Stainless Steel	272
Floor-Mounted, Overlapping Two-Door Enclosures	120

PRODUCT NAME	PAGE NO.
Floor-Mounted, Two-Door Disconnect Enclosures	150
Flush Mount Frames for Enviroline Wall-Mount Enclosures	374
Flush Swing Handles	354
Folding Shelves	361
Free-Standing / Wall-Mount Multi-Door Disconnect Enclosures	144
Free-Standing Enclosures Accessories	132
Free-Standing Enviroline Single-Door Enclosures, Stainless Steel	276
Free-Standing Enviroline Two-Door Enclosures, Stainless Steel	278
Free-Standing Enviroline Two-Door Single Access Enclosures	124
Free-Standing Heavy Duty Disconnect Enclosures	152
Free-Standing Heavy Duty Disconnect Enclosures, Stainless Steel	286
Free-Standing Heavy Duty Enclosures w/ External Disconnect Installed	160
Free-Standing Heavy Duty Enclosures w/ External Disconnect Installed, S.S.	294
Free-Standing Multi-Door Enclosures	140
Free-Standing Single-Door, Dual Access Enclosures	128
Free-Standing Single-Door, Single Access Enclosures	122
Free-Standing Two-Door, Dual Access Enclosures	130
Free-Standing Two-Door, Single Access Enclosures	124
Free-Standing Two-Door, Single Access Enclosures Stainless Steel	280

G

Galvanized Sub-Panels	386
Gasket	402
General Purpose Type 1 Enclosures	110
General Purpose Type 1 Enclosures w/ Knockouts	112
Grounding Bars	358
Grounding Straps	358

H

Handles, Flush Swing	354
Handles, SCE	353
Handles, Stainless Steel	353
Heat Exchangers, Enviro-Therm	340
Heaters w/ Thermostat	350
Heaters, Touch Safe	350
Heavy Duty Free-Standing Disconnect Enclosures	152
Heavy Duty Free-Standing Disconnect Enclosures, Stainless Steel	286
Heavy Duty Free-Standing Enclosures w/ External Disconnect Installed	160
Heavy Duty Free-Standing Enclosures w/ External Disconnect Installed, S.S.	294
Heavy Duty Mounting Kit	376
Hinged Access Enclosures	398
Hinged Cover 3R Enclosures	106
Hinged Pushbutton Enclosures	56
Hinged Window Enclosures	398
Hinges	404
HMI Enclosures	34
HMI Enclosures, Stainless Steel	218
HMI Keyboard Shelf	36
HMI Keyboard Shelf, Stainless Steel	220
HMI Pull Handles	37
Hole Plugs	366
Hole Seals	366
Hygrostat	345



Phone (989) 799-6871
 Fax (989) 799-4524

1 Operator System Enclosures
 2 Wall-Mount Enclosures
 3 Free-Standing & Floor-Mounted Enclosures
 4 Modular Enclosures
 5 Operator System Enclosures (Stainless Steel)
 6 Wall-Mount Enclosures (Stainless Steel)
 7 Free-Standing & Floor-Mounted Enclosures (Stainless Steel)
 8 Non-Metallic Enclosures
 9 Accessories
 10 Technical Information
 11 Index

PRODUCT NAME	PAGE NO.
I	
Individual Panel Supports	390
Industrial Modular System (IMS) Accessories	182
Industrial Modular System (IMS) Enclosures	174
Interlock, Electrical	364
Interlock, Mechanical	364
Internal Disconnect Enclosures	399
J	
Junction Enclosures, Continuous Hinge	74
Junction Enclosures, Continuous Hinge Stainless Steel	244
Junction Enclosures, Enviroline	64
Junction Enclosures, Enviroline Stainless Steel	236
Junction Enclosures, Enviroline Trough	70
Junction Enclosures, Enviroline Trough Stainless Steel	240
Junction Enclosures, Enviroline Trough w/ Viewing Window	72
Junction Enclosures, Enviroline Trough w/ Viewing Window Stainless Steel	242
Junction Enclosures, Enviroline w/ Viewing Window	68
Junction Enclosures, Enviroline w/ Viewing Window Stainless Steel	238
Junction Enclosures, Fiberglass	310
Junction Enclosures, Fiberglass w/ Viewing Window	312
Junction Enclosures, Screw Cover	76
K	
Keyboard Drawer, Pullout	359
Keyboard Kit	359
Keyboard Shelf, HMI	36
Keys	404
L	
Latches, Mini Quarter Turn	353
Latches, Quarter Turn	352
LED Light Kits	362
LED Replacement Bulbs	405
LED Strip Light Cords	363
LED Strip Lights	363
Leveling Pads	376
Lifting Lugs	376
Light Kits	362
Light Switch Assembly	362
Light Switch Mounting Bracket	362
Louver & Filter Kits	351
Louvered Skirt Kits	380
M	
Mechanical Defeater	402
Mechanical Hygrostat	345
Mechanical Interlocks	364
Media Storage Pockets	396
Mini Quarter Turn Latches	353
Modular Enclosures	168
Modular Enclosures Accessories	169
Monitor Mounting Bracket	28
Mounting Feet, Angle Iron	376

PRODUCT NAME	PAGE NO.
Mounting Foot Kits for ELJ Enviroline Enclosures	377
Mounting Foot Kits for Enviroline Enclosures	377
Mounting Foot Kits for Type 3R Enclosures	377
Mounting Strap for Type 1 Enclosures	375
Mounting Strap for Type 3R Enclosures	375
Multi-Door Free-Standing / Wall-Mount Disconnect Enclosures	144
Multi-Door Free-Standing Enclosures	140
N	
Nema 1 General Purpose Enclosures	110
Nema 1 General Purpose Enclosures w/ Knockouts	112
O	
Orange Safety Label	401
Overlapping Two-Door Floor-Mounted Enclosures	120
Overlapping Two-Door Wall-Mount Enclosures	92
P	
Padlock Kit for Junction Boxes	355
Paint Pens, Touch Up	404
Paint, Touch Up	404
Pedestal Mount Work Station	22
Pedestal Mount Work Station, Stainless Steel	206
Perforated Sub-Panels, Type 1	390
Polycarbonate Enclosures	302
Polycarbonate Enclosures with Window	304
Print Pockets	396
Program Ports	356
Pull Handles	355
Pull Handles, HMI	37
Pullout Keyboard Drawer	359
Pushbutton Enclosures	46
Pushbutton Enclosures, Fiberglass	306
Pushbutton Enclosures, Hinged	56
Pushbutton Enclosures, Hinged Stainless Steel	232
Pushbutton Enclosures, Sloping Front	60
Pushbutton Enclosures, Stainless Steel	228
Q	
Quarter Turn Latches	352
Quick Release Clamps	355
R	
Rain Hoods	347
Rain Hoods w/ Access Cover	346
Removable Wire Covers	358
Replacement Filters	405
Replacement Filters, AC	406
Replacement LED Bulbs	405
S	
Safety Label, Orange	401
SCE Handles	353
SCE Handles, Stainless Steel	353

Phone (989) 799-6871
Fax (989) 799-4524



1 Operator System Enclosures
 2 Wall-Mount Enclosures
 3 Free-Standing & Floor-Mounted Enclosures
 4 Modular Enclosures
 5 Operator System Enclosures (Stainless Steel)
 6 Wall-Mount Enclosures (Stainless Steel)
 7 Free-Standing & Floor-Mounted Enclosures (Stainless Steel)
 8 Non-Metallic Enclosures
 9 Accessories
 10 Technical Information
 11 Index

PRODUCT NAME	PAGE NO.
Screw Cover Enclosures	76
Screw Cover Fiberglass Enclosures	308
Screw Cover Type 3R Enclosures	108
Sealing Washers	403
Series 14 Consoles	12
Series 9 Consoles	10
Shelves, Folding	361
Single Access, Single-Door Free-Standing Enclosures	122
Single Access, Single-Door Free-Standing Enclosures Stainless Steel	276
Single Access, Two-Door Free-Standing Enclosures	124
Single Access, Two-Door Free-Standing Enclosures Stainless Steel	278
Skirt Kits	380
Slope Top Work Station	24
Slope Top Work Station, Stainless Steel	208
Sloping Front Pushbutton Enclosures	60
Sloping Top Single-Door Stainless Steel Enviroline Disconnect Enclosures	264
Sloping Top Single-Door Stainless Steel Enviroline Enclosures	252
Sloping Top Two-Door Stainless Steel Disconnect Enviroline Enclosures	284
Sloping Top Two-Door Stainless Steel Enviroline Enclosures	274
Stainless Steel Air Conditioners, 1000 BTU	320
Stainless Steel Air Conditioners, 10200 BTU	328
Stainless Steel Air Conditioners, 13650 BTU	329
Stainless Steel Air Conditioners, 1870 BTU	322
Stainless Steel Air Conditioners, 2550 BTU	322
Stainless Steel Air Conditioners, 3400 BTU	324
Stainless Steel Air Conditioners, 5100 BTU	326
Stainless Steel Air Conditioners, 6800 BTU	326
Stainless Steel Air Conditioners, 8500 BTU	328
Stainless Steel Clamp Fastened Single-Door Enclosures	254
Stainless Steel Cleaner	405
Stainless Steel Columns & Bases	361
Stainless Steel Continuous Hinge Junction Enclosures	244
Stainless Steel Desk Consoles	200
Stainless Steel Desktop Work Station	206
Stainless Steel Disconnect Enclosures, Clamp Fastened Single-Door	266
Stainless Steel Disconnect Enclosures, Enviroline Single-Door	260
Stainless Steel Disconnect Enclosures, Enviroline Sloping Top Single-Door	264
Stainless Steel Disconnect Enclosures, Enviroline Sloping Top Two-Door	284
Stainless Steel Disconnect Enclosures, Enviroline Two-Door	282
Stainless Steel Disconnect Enclosures, Heavy Duty Free-Standing	286
Stainless Steel Disconnect Enclosures, Heavy Duty w/ External Disconnect Installed	294
Stainless Steel ELJ Consoles	198
Stainless Steel Enviroline Free-Standing Single-Door Enclosures	276
Stainless Steel Enviroline Free-Standing Two-Door Enclosures	278
Stainless Steel Enviroline Junction Enclosures	236
Stainless Steel Enviroline Junction Enclosures w/ Viewing Window	238
Stainless Steel Enviroline Junction Trough Enclosures	240
Stainless Steel Enviroline Junction Trough Enclosures w/Viewing Window	242
Stainless Steel Enviroline Single-Door Enclosures	248
Stainless Steel Enviroline Single-Door Enclosures w/ 3-Point Hardware	246
Stainless Steel Enviroline Sloping Top Single-Door Enclosures	252
Stainless Steel Enviroline Sloping Top Two-Door Enclosures	274

PRODUCT NAME	PAGE NO.
Stainless Steel Enviroline Two-Door Floor-Mounted Enclosures	272
Stainless Steel Enviroline Two-Door Wall-Mount Enclosures	258
Stainless Steel Free-Standing Two-Door Single Access Enclosures	280
Stainless Steel Handles	353
Stainless Steel Heavy Duty Free-Standing Disconnect Enclosures	286
Stainless Steel Heavy Duty Enclosures w/ External Disconnect Installed	294
Stainless Steel Hinged Pushbutton Enclosures	232
Stainless Steel HMI Enclosures	218
Stainless Steel HMI Keyboard Shelf	220
Stainless Steel Pedestal Mount Work Station	206
Stainless Steel Pushbutton Enclosures	228
Stainless Steel Skirt Kits	380
Stainless Steel Slope Top Work Station	208
Stainless Steel Work Station	204
Strip Light Cords	363
Strip Lights, LED	363
Sub-Panels, Aluminum	388
Sub-Panels, ELJ Console	388
Sub-Panels, Enviroline Junction Enclosures	391
Sub-Panels, Enviroline Trough Junction Enclosures	391
Sub-Panels, Galvanized	386
Sub-Panels, Stainless Steel	384
Sub-Panels, Steel	382
Sub-Panels, Type 1	389
Sub-Panels, Type 1 Perforated	390
Suspension System	368
Swing Out Panel Assembly for Enviroline Enclosures	394
Swing Out Panel Assembly for LP Enclosures	394

T

Terms & Conditions of Sale	2
Thermoelectric Coolers	334
Thermostats	344
Three-Point Door Rod Kits	354
Touch Safe Heaters	350
Touch Up Paint	404
Touch Up Paint Pens	404
Trough Enclosures, Enviroline	70
Trough Enclosures, Enviroline Stainless Steel	240
Trough Enclosures, Enviroline w/ Viewing Window	72
Trough Enclosures, Enviroline w/ Viewing Window Stainless Steel	242
Type 1 Enclosures w/ Knockouts	112
Type 1 General Purpose Enclosures	110
Type 1 Perforated Sub-Panels	390
Type 12 Fans & Filter Packages	346
Type 3R Enclosures, Hinged Cover	106
Type 3R Enclosures, Screw Cover	108
Type 3R Enclosures, Vented	104
Type 3R Enclosures, Vented Disconnect	102
Type 3R Fans & Filter Packages	348
Type 3R Enclosures, Vented Disconnect	102



Phone (989) 799-6871
 Fax (989) 799-4524

1 Operator System Enclosures
 2 Wall-Mount Enclosures
 3 Free-Standing & Floor-Mounted Enclosures
 4 Modular Enclosures
 5 Operator System Enclosures (Stainless Steel)
 6 Wall-Mount Enclosures (Stainless Steel)
 7 Free-Standing & Floor-Mounted Enclosures (Stainless Steel)
 8 Non-Metallic Enclosures
 9 Accessories
 10 Technical Information
 11 Index

PRODUCT NAME	PAGE NO.
U	
V	
Vent, Breather	345
Vent, Drain	345
Vented Type 3R Disconnect Enclosures	102
Vented Type 3R Enclosures	104
W	
Wall-Mount, Clamp Fastened Single-Door Disconnect Enclosures	100
Wall-Mount, Clamp Fastened Single-Door Enclosures	86
Wall-Mount, Enviroline Single-Door Disconnect Enclosures	94
Wall-Mount, Enviroline Single-Door Disconnect Enclosures Stainless Steel	260
Wall-Mount, Enviroline Single-Door Enclosures	78
Wall-Mount, Enviroline Single-Door Enclosures Stainless Steel	248
Wall-Mount, Enviroline Single-Door Enclosures w/ 3-Point Hardware	84
Wall-Mount, Enviroline Single-Door Enclosures w/ 3-Pt Hardware Stainless Steel	246
Wall-Mount, Enviroline Single-Door Sloping Top Disconnect Enclosures S.S.	264
Wall-Mount, Enviroline Single-Door Sloping Top Enclosures Stainless Steel	252
Wall-Mount, Enviroline Two-Door Enclosures	90
Wall-Mount, Enviroline Two-Door Enclosures Stainless Steel	258
Wall-Mount, Overlapping Two-Door Enclosures	92
Wall-Mount, Single-Door Disconnect Enclosures w/ SCE Hardware	98
Wall-Mount Standoff	375
Window Kits, Type 4	397
Wire Covers, Removable	358
Work Station	20
Work Station Accessories	26
Work Station, Desktop	22
Work Station, Desktop Stainless Steel	206
Work Station, Pedestal Mount	22
Work Station, Pedestal Mount Stainless Steel	206
Work Station, Slope Top	24
Work Station, Slope Top Stainless Steel	208
Work Station, Stainless Steel	204
X	
XD Heavy Duty Free-Standing Enclosures w/ External Disconnect Installed	160
XD Heavy Duty Free-Standing Enclosures w/ External Disconnect Installed, S.S.	294
Y	
Z	

NUMERICAL INDEX

PART NUMBER	PRICE CODE	ESTIMATED SHIPPING WT.	LIST PRICE	PAGE NUMBER
P-B15-F3R3-U450	P4	1	144.64	356
P-B15-K3RF3-U450	P4	1	166.13	357
P-P11R2-K3RF0-U450	P4	2	149.46	357
P-Q7-F3R3-U450	P4	1	148.77	356
P-Q7-K3RF3-U450	P4	1	159.51	357
P-Q9-F3R3-U450	P4	1	148.77	356
P-R2-F3R3-U450	P4	1	127.28	356
P-R2-K2RF3-U450	P4	2	206.91	357
P-R2-K3RF3-U450	P4	1	151.25	357
P-R2-K4RF3-U450	P4	1	168.61	357
SCE-100814	P2	1	24.00	352
SCE-10085CHQRFG	F1	5	183.26	310
SCE-10086CHNF	A1	10	79.24	74
SCE-10086CHNFSS	S1	11	364.04	244
SCE-10086CHNFSS6	S7	11	425.88	244
SCE-10086ELJ	E1	7	79.12	64
SCE-10086ELJLG	E1	7	79.12	66
SCE-10086ELJSS	S6	8	290.44	236
SCE-10086ELJSS6	S7	8	348.53	236
SCE-10086ELJW	E1	8	126.12	68
SCE-10086ELJWSS	S6	9	378.97	238
SCE-10086ELJWSS6	S7	8	454.77	238
SCE-10086FG	F1	5	159.75	308
SCE-10086FW	F1	5	289.96	312
SCE-10086SC	A1	10	73.99	76
SCE-1008CHNF	A1	9	69.39	74
SCE-1008CHNFSS	S1	9	332.84	244
SCE-1008CHNFSS6	S7	9	389.42	244
SCE-1008CHSNF	A1	9	73.30	74
SCE-1008ELJ	E1	6	70.76	64
SCE-1008ELJLG	E1	6	70.76	66
SCE-1008ELJSS	S6	6	260.94	236
SCE-1008ELJSS6	S7	7	313.13	236
SCE-1008ELJW	E1	6	119.76	68
SCE-1008ELJWSS	S6	7	359.33	238
SCE-1008ELJWSS6	S7	7	431.20	238
SCE-1008FG	F1	5	154.47	308
SCE-1008FW	F1	5	276.21	312
SCE-1008PC	F1	4	126.06	302
SCE-1008PCW	F1	4	176.19	304
SCE-1008SC	A1	9	65.22	76
SCE-100AFSD	P2	17	183.20	399
SCE-10106CHNF	A1	12	80.55	74
SCE-10106ELJ	E1	9	83.56	64
SCE-10106ELJLG	E1	9	83.56	66
SCE-10106SC	A1	11	81.51	76
SCE-1010SC	A1	10	72.73	76
SCE-101221	P2	1	26.80	404
SCE-101226	P2	1	50.40	404
SCE-101670	P2	1	10.57	404
SCE-101695	P2	1	11.50	404
SCE-101697	P2	1	11.50	404

PART NUMBER	PRICE CODE	ESTIMATED SHIPPING WT.	LIST PRICE	PAGE NUMBER
SCE-101966	P2	1	2.50	405
SCE-101974	P2	1	5.00	405
SCE-102018	P2	1	9.73	405
SCE-102022	P2	1	36.82	405
SCE-102023	P2	1	16.00	405
SCE-102225	P2	1	2.50	405
SCE-102237	P2	1	12.50	354
SCE-102297	P2	1	2.50	405
SCE-102298	P2	1	4.98	405
SCE-102300	P2	1	8.61	405
SCE-102302	P2	1	2.50	405
SCE-102534	P2	1	19.03	404
SCE-102686	P2	1	4.98	405
SCE-102804	P2	1	24.00	352
SCE-103370	P2	3	57.80	354
SCE-103758	P2	2	143.31	364
SCE-104941	P2	2	143.31	364
SCE-105419	P2	1	2.04	353
SCE-105604	P2	2	143.31	364
SCE-107930	P2	1	11.50	404
SCE-108401	P2	1	117.05	405
SCE-108619	P5	1	55.42	405
SCE-10N1004LP	N1	9	40.92	110
SCE-10N1006LP	N1	9	50.23	110
SCE-10N10MP	N1	1	5.27	389
SCE-10N10MPP	N1	1	13.47	390
SCE-10N804LP	N1	7	40.29	110
SCE-10N806LP	N1	8	45.52	110
SCE-10N8MP	N1	2	4.46	389
SCE-10N8MPP	N1	1	11.58	390
SCE-10P10	P3	2	6.73	382
SCE-10P10GALV	P3	2	6.46	386
SCE-10P10J	P3	4	6.73	391
SCE-10P10SS	P3	2	16.81	384
SCE-10P6	P3	1	4.89	382
SCE-10P8	P3	1	5.70	382
SCE-10P8AL	F2	2	25.38	388
SCE-10P8GALV	P3	1	5.47	386
SCE-10P8J	P3	2	5.70	391
SCE-10P8JGALV	P3	2	5.47	391
SCE-10P8SS	P3	2	14.27	384
SCE-10PBA	A1	11	158.02	60
SCE-10PBAI	A1	11	158.02	62
SCE-10PBX	A1	11	117.88	50
SCE-10PBXI	A1	11	117.88	52
SCE-10R104	N3	8	95.08	108
SCE-10R106	N3	10	111.58	108
SCE-10R84	N3	6	79.20	108
SCE-10R86	N3	8	84.11	108
SCE-110047	P2	1	11.50	404
SCE-110551	P2	1	44.52	349
SCE-111252	P2	1	24.31	349
SCE-112399	P2	1	20.52	349
SCE-112984	P2	1	1.73	353



Phone (989) 799-6871
Fax (989) 799-4524

Your Enclosure Source®

1 Operator System Enclosures
 2 Wall-Mount Enclosures
 3 Free-Standing & Floor-Mounted Enclosures
 4 Modular Enclosures
 5 Operator System Enclosures (Stainless Steel)
 6 Wall-Mount Enclosures (Stainless Steel)
 7 Free-Standing & Floor-Mounted Enclosures (Stainless Steel)
 8 Non-Metallic Enclosures
 9 Accessories
 10 Technical Information
 11 Index

PART NUMBER	PRICE CODE	ESTIMATED SHIPPING WT.	LIST PRICE	PAGE NUMBER	PART NUMBER	PRICE CODE	ESTIMATED SHIPPING WT.	LIST PRICE	PAGE NUMBER
SCE-113188	P2	1	91.80	405	SCE-12DLP12GALV	P3	4	13.67	386
SCE-113282	P2	3	87.54	405	SCE-12EL1206LP	E3	16	183.29	78
SCE-113947	P2	1	65.57	405	SCE-12EL1206PLG	E3	16	183.29	80
SCE-114318	P2	1	7.63	405	SCE-12EL1206SS6LP	S7	17	643.39	250
SCE-115259	P2	2	34.43	393	SCE-12EL1206SSLP	S5	16	536.16	248
SCE-12064CHNF	A1	8	63.66	74	SCE-12EL2406LP	E3	26	218.97	78
SCE-121010SC	A1	17	125.41	76	SCE-12EL2406PLG	E3	26	218.97	80
SCE-12105CHQRFG	F1	6	209.45	310	SCE-12EL2406SS6LP	S7	24	855.14	250
SCE-12106CHNF	A1	14	91.96	74	SCE-12EL2406SSLP	S5	27	712.62	248
SCE-12106CHNFSS	S1	14	411.42	244	SCE-12EL2408LP	E3	31	239.11	78
SCE-12106CHNFSS6	S7	14	457.71	244	SCE-12EL2408PLG	E3	31	239.11	80
SCE-12108CHNF	A1	15	98.74	74	SCE-12H2406LP	A3	28	238.27	86
SCE-12108CHNFSS	S1	16	438.43	244	SCE-12H2408LP	A3	28	253.33	86
SCE-12108CHNFSS6	S7	16	526.12	244	SCE-12HMI1606LP	C2	22	357.90	34
SCE-12108ELJ	E1	11	98.72	64	SCE-12HMI1606SSLP	C2	23	679.77	218
SCE-12108ELJLG	E1	11	98.72	66	SCE-12HMI1610LP	C2	22	380.23	34
SCE-12108ELJSS	S6	11	352.80	236	SCE-12HMI1610SSLP	C2	27	736.37	218
SCE-12108ELJSS6	S7	12	423.36	236	SCE-12N1004LP	N1	5	48.44	110
SCE-12108ELJW	E1	11	150.72	68	SCE-12N1006LP	N1	10	54.80	110
SCE-12108ELJWSS	S6	11	432.12	238	SCE-12N10MP	N1	3	6.03	389
SCE-12108ELJWSS6	S7	12	518.54	238	SCE-12N10MPP	N1	1	15.11	390
SCE-1210CHNF	A1	13	87.29	74	SCE-12N1204LP	N1	10	53.05	110
SCE-1210CHSNF	A1	13	89.33	74	SCE-12N1206LP	N1	9	60.13	110
SCE-1210ELJ	E1	10	86.48	64	SCE-12N1208LP	N1	12	67.14	110
SCE-1210ELJLG	E1	10	86.48	66	SCE-12N12MP	N1	4	7.10	389
SCE-1210ELJSS	S6	10	328.93	236	SCE-12N12MPP	N1	2	15.94	390
SCE-1210ELJSS6	S7	10	394.72	236	SCE-12P10	P3	2	7.72	382
SCE-1210ELJW	E1	10	138.48	68	SCE-12P10AL	F2	2	25.99	388
SCE-1210ELJWSS	S6	10	418.25	238	SCE-12P10GALV	P3	3	7.41	386
SCE-1210ELJWSS6	S7	10	501.91	238	SCE-12P10J	P3	2	7.72	391
SCE-1210FG	F1	6	164.72	308	SCE-12P10SS	P3	2	19.31	384
SCE-1210FW	F1	7	320.36	312	SCE-12P12	P3	3	9.08	382
SCE-1210PC	F1	6	144.06	302	SCE-12P12AL	F2	2	27.68	388
SCE-1210PCW	F1	6	194.64	304	SCE-12P12C	P3	2	13.28	388
SCE-1210SC	A1	12	82.76	76	SCE-12P12GALV	P3	4	8.72	386
SCE-1212CHNF	A1	15	101.32	74	SCE-12P12J	P3	3	9.08	391
SCE-1212CHNFSS	S1	15	440.78	244	SCE-12P12JGALV	P3	3	8.72	391
SCE-1212CHNFSS6	S7	16	504.94	244	SCE-12P12SS	P3	3	22.72	384
SCE-1212CHQRFG	F1	7	242.97	310	SCE-12P16C	P3	3	18.22	388
SCE-1212ELJ	E1	11	100.96	64	SCE-12P20C	P3	4	23.16	388
SCE-1212ELJLG	E1	11	100.96	66	SCE-12P24	P3	8	27.86	382
SCE-1212ELJSS	S6	11	355.50	236	SCE-12P24C	P3	5	28.09	388
SCE-1212ELJSS6	S7	11	426.60	236	SCE-12P24GALV	P3	8	27.86	386
SCE-1212FG	F1	8	197.63	308	SCE-12P6	P3	1	5.35	382
SCE-1212FW	F1	7	307.76	312	SCE-12P6GALV	P3	2	5.14	386
SCE-1212SC	A1	15	96.56	76	SCE-12PB	A1	8	104.08	46
SCE-125738	P2	1	9.60	402	SCE-12PBA	A1	13	171.82	60
SCE-12C12ELJ	A1	14	132.93	8	SCE-12PBAI	A1	13	171.82	62
SCE-12C12ELJSS	S1	14	771.99	198	SCE-12PBGX	A1	8	106.60	54
SCE-12C16ELJ	A1	17	147.97	8	SCE-12PBH	A1	16	162.14	56
SCE-12C16ELJSS	S1	14	796.98	198	SCE-12PBHI	A1	17	162.14	58
SCE-12C20ELJ	A1	21	163.03	8	SCE-12PBI	A1	9	104.08	48
SCE-12C20ELJSS	S1	18	817.75	198	SCE-12PBSS	S1	8	351.56	228
SCE-12C24ELJ	A1	24	175.57	8	SCE-12PBSS6	S1	9	421.87	228
SCE-12C24ELJSS	S1	22	888.79	198					
SCE-12DLP12	P3	3	13.67	382					

Phone (989) 799-6871
Fax (989) 799-4524



11 Index
10 Technical Information
9 Accessories
8 Non-Metallic Enclosures
7 Free-Standing & Floor-Mounted Enclosures (Stainless Steel)
6 Wall-Mount Enclosures (Stainless Steel)
5 Operator System Enclosures (Stainless Steel)
4 Modular Enclosures
3 Free-Standing & Floor-Mounted Enclosures
2 Wall-Mount Enclosures
1 Operator System Enclosures

PART NUMBER	PRICE CODE	ESTIMATED SHIPPING WT.	LIST PRICE	PAGE NUMBER
SCE-12PBSS6I	S1	9	421.87	230
SCE-12PBSSI	S1	8	351.56	230
SCE-12PBX	A1	11	124.15	50
SCE-12PBXI	A1	11	124.15	52
SCE-12R104	N3	9	119.50	108
SCE-12R106	N3	10	124.41	108
SCE-12R1206LP	N3	15	76.66	106
SCE-12R1208LP	N3	16	80.71	106
SCE-12R124	N3	9	130.75	108
SCE-12R126	N3	12	139.17	108
SCE-12SPBA	A1	12	164.28	60
SCE-12SPBAI	A1	12	164.28	62
SCE-13ELJEXPP	P2	12	152.23	396
SCE-1407FG	F1	5	212.88	308
SCE-1407FW	F1	5	448.59	312
SCE-14086CHNF	A1	13	87.06	74
SCE-14087CHQRFG	F1	6	279.46	310
SCE-14127CHQRFG	F1	10	264.92	310
SCE-14128CHNF	A1	19	119.01	74
SCE-14128ELJ	E1	14	118.44	64
SCE-14128ELJLG	E1	14	118.44	66
SCE-14128ELJSS	S6	15	400.92	236
SCE-14128ELJSS6	S7	15	481.10	236
SCE-1412CHNF	A1	17	112.50	74
SCE-1412CHNFSS	S1	17	465.15	244
SCE-1412CHNFSS6	S7	17	552.19	244
SCE-1412CHSNF	A1	17	118.13	74
SCE-1412ELJ	E1	13	111.20	64
SCE-1412ELJLG	E1	13	111.20	66
SCE-1412ELJSS	S6	13	378.21	236
SCE-1412ELJSS6	S7	13	453.85	236
SCE-1412FG	F1	9	209.77	308
SCE-1412FW	F1	9	441.58	312
SCE-1412PC	F1	8	182.22	302
SCE-1412PCW	F1	8	268.28	304
SCE-1412SC	A1	16	105.34	76
SCE-1436B	C1	323	2,078.69	12
SCE-1436P1	P2	37	209.78	12
SCE-1436P2	P3	24	177.24	12
SCE-1436P3	P3	45	273.44	12
SCE-1436T	C1	97	562.08	12
SCE-1436W	P2	13	173.62	12
SCE-1448BD	C1	405	2,673.68	14
SCE-1448P2	P3	38	212.67	14
SCE-1448P3	P3	64	336.74	14
SCE-1448T	C1	126	670.95	14
SCE-1448W	P2	14	214.61	14
SCE-1460BD	C1	462	2,767.36	14
SCE-1460P2	P3	44	245.59	14
SCE-1460P3	P3	80	402.57	14
SCE-1460T	C1	150	777.29	14
SCE-1460W	C2	21	253.19	14
SCE-1472BD	C1	581	3,030.68	14
SCE-1472P3	P3	97	465.86	14

PART NUMBER	PRICE CODE	ESTIMATED SHIPPING WT.	LIST PRICE	PAGE NUMBER
SCE-1472T	C1	182	886.17	14
SCE-1472W	P2	23	291.78	14
SCE-14B	C1	255	1,777.39	12
SCE-14HMI1806LP	C2	27	389.31	34
SCE-14HMI1806SSLP	C2	27	756.19	218
SCE-14HMI1810LP	C2	33	412.33	34
SCE-14HMI1810SSLP	C2	33	800.76	218
SCE-14N1204LP	N1	11	57.79	110
SCE-14N1206LP	N1	10	65.46	110
SCE-14N1208LP	N1	14	73.08	110
SCE-14N12MP	N1	3	7.92	389
SCE-14N12MPP	N1	2	17.14	390
SCE-14P1	P2	31	168.79	12
SCE-14P12	P3	3	10.13	382
SCE-14P12AL	F2	2	36.87	388
SCE-14P12GALV	P3	5	9.72	386
SCE-14P12J	P3	3	10.13	391
SCE-14P12SS	P3	3	25.34	384
SCE-14P2	P3	15	144.32	12
SCE-14P3	P3	27	207.61	12
SCE-14P6	P3	1	5.98	382
SCE-14P8	P3	2	7.39	382
SCE-14P8AL	F2	2	28.39	388
SCE-14P8GALV	P3	4	7.09	386
SCE-14R	P2	8	149.50	12
SCE-14RMW	P2	16	198.69	137
SCE-14T	C1	72	453.21	12
SCE-14W	P2	9	135.04	12
SCE-16106CHNF	A1	17	102.65	74
SCE-161410CHNF	A1	26	150.70	74
SCE-16147CHQRFG	F1	11	287.72	310
SCE-16148CHNF	A1	23	143.66	74
SCE-16148CHNFSS	S1	31	608.14	244
SCE-16148CHNFSS6	S1	24	680.46	244
SCE-16148ELJ	E1	18	143.42	64
SCE-16148ELJLG	E1	18	143.42	66
SCE-16148ELJSS	S6	18	508.38	236
SCE-16148ELJSS6	S7	18	610.06	236
SCE-16148ELJW	E1	18	204.42	68
SCE-16148ELJWSS	S6	18	597.34	238
SCE-16148ELJWSS6	S7	18	716.81	238
SCE-1614CHNF	A1	20	131.71	74
SCE-1614CHNFSS	S1	21	548.38	244
SCE-1614CHNFSS6	S7	20	658.05	244
SCE-1614CHSNF	A1	20	138.30	74
SCE-1614ELJ	E1	16	130.82	64
SCE-1614ELJLG	E1	16	130.82	66
SCE-1614ELJSS	S6	16	444.87	236
SCE-1614ELJSS6	S7	16	533.84	236
SCE-1614ELJW	E1	16	193.82	68
SCE-1614ELJWSS	S6	16	563.84	238
SCE-1614ELJWSS6	S7	16	676.60	238
SCE-1614FG	F1	12	241.00	308
SCE-1614FW	F1	12	505.54	312
SCE-1614PC	F1	10	197.91	302
SCE-1614PCW	F1	10	326.73	304



Phone (989) 799-6871
 Fax (989) 799-4524

1 Operator System Enclosures
 2 Wall-Mount Enclosures
 3 Free-Standing & Floor-Mounted Enclosures
 4 Modular Enclosures
 5 Operator System Enclosures (Stainless Steel)
 6 Wall-Mount Enclosures (Stainless Steel)
 7 Free-Standing & Floor-Mounted Enclosures (Stainless Steel)
 8 Non-Metallic Enclosures
 9 Accessories
 10 Technical Information
 11 Index

PART NUMBER	PRICE CODE	ESTIMATED SHIPPING WT.	LIST PRICE	PAGE NUMBER	PART NUMBER	PRICE CODE	ESTIMATED SHIPPING WT.	LIST PRICE	PAGE NUMBER
SCE-1614SC	A1	17	122.89	76	SCE-16N1206LP	N1	11	98.04	110
SCE-16C16ELJ	A1	23	173.05	8	SCE-16N1208LP	N1	17	106.84	110
SCE-16C16ELJSS	S1	24	817.75	198	SCE-16N12MP	N1	3	11.58	389
SCE-16C20ELJ	A1	25	190.63	8	SCE-16N12MPP	N1	2	19.25	390
SCE-16C20ELJSS	S1	28	888.79	198	SCE-16N1606LP	N1	16	109.57	110
SCE-16C24ELJ	A1	30	208.17	8	SCE-16N1608LP	N1	20	119.19	110
SCE-16C24ELJSS	S1	32	957.18	198	SCE-16N16MP	N1	4	19.21	389
SCE-16C30ELJ	A1	53	238.27	8	SCE-16N16MPP	N1	2	22.58	390
SCE-16DLP14	P3	4	17.72	382	SCE-16N2006LP	N1	21	121.09	110
SCE-16DLP14GALV	P3	5	17.72	386	SCE-16P10	P3	3	9.90	382
SCE-16EL1206LP	E3	20	194.36	78	SCE-16P10AL	F2	2	41.63	388
SCE-16EL1206LPLG	E3	20	194.36	80	SCE-16P10GALV	P3	5	9.50	386
SCE-16EL1206SS6LP	S7	17	708.54	250	SCE-16P12	P3	4	14.81	382
SCE-16EL1206SSLP	S5	17	590.45	248	SCE-16P12GALV	P3	6	14.81	386
SCE-16EL1208LP	E3	21	205.44	78	SCE-16P12SS	P3	4	37.03	384
SCE-16EL1208LPLG	E3	21	205.44	80	SCE-16P14	P3	4	19.95	382
SCE-16EL1208SS6LP	S7	26	757.41	250	SCE-16P14AL	F2	2	46.72	388
SCE-16EL1208SSLP	S5	26	631.18	248	SCE-16P14GALV	P3	6	19.15	386
SCE-16EL1208SSST	S8	18	883.65	252	SCE-16P14J	P3	4	19.96	391
SCE-16EL1408LP	E3	25	211.59	78	SCE-16P14SS	P3	4	49.87	384
SCE-16EL1408LPLG	E3	25	211.59	80	SCE-16P16	P3	6	24.57	382
SCE-16EL1606LP	E3	24	210.37	78	SCE-16P16GALV	P3	6	24.57	386
SCE-16EL1606LPLG	E3	24	210.37	80	SCE-16P16SS	P3	5	68.73	384
SCE-16EL1606SS6LP	S7	21	785.11	250	SCE-16P20C	P3	5	31.40	388
SCE-16EL1606SSLP	S5	21	654.26	248	SCE-16P24C	P3	6	38.10	388
SCE-16EL1608LP	E3	27	234.97	78	SCE-16P30C	P3	8	44.80	388
SCE-16EL1608LPLG	E3	27	234.97	80	SCE-16PB12	P3	5	13.84	382
SCE-16EL1608SS6LP	S7	28	825.83	250	SCE-16PBA	A1	13	183.10	60
SCE-16EL1608SSLP	S5	28	688.19	248	SCE-16PBAI	A1	13	183.10	62
SCE-16EL1608SSST	S8	22	963.47	252	SCE-16PBH	A1	19	184.70	56
SCE-16EL2006LP	E3	28	236.19	78	SCE-16PBHI	A1	19	184.70	58
SCE-16EL2006LPLG	E3	28	236.19	80	SCE-16PBHSS	S1	12	491.20	232
SCE-16EL2008LP	E3	31	237.42	78	SCE-16PBHSS6	S1	10	589.44	232
SCE-16EL2008LPLG	E3	31	237.42	80	SCE-16PBHSS6I	S1	10	589.44	234
SCE-16EL2008SS6LP	S7	29	925.17	250	SCE-16PBHSSI	S1	12	491.20	234
SCE-16EL2008SSLP	S5	30	770.98	248	SCE-16R1206LP	N3	16	99.88	106
SCE-16H1009QFGLP	F1	10	878.30	314	SCE-16R1208LP	N3	19	104.67	106
SCE-16H1206LP	A3	21	213.19	86	SCE-18169CHQRFG	F1	19	373.97	310
SCE-16H1206SS6LP	S7	23	752.53	256	SCE-1816FG	F1	20	319.30	308
SCE-16H1206SSLP	S3	23	627.11	254	SCE-1816FW	F1	20	620.64	312
SCE-16H1208LP	A3	22	223.22	86	SCE-1816PC	F1	11	254.82	302
SCE-16H1208SS6LP	S7	24	806.28	256	SCE-1816PCW	F1	11	407.00	304
SCE-16H1208SSLP	S3	24	671.90	254	SCE-18N1606NK-B	N1	22	128.86	112
SCE-16H1210LP	A3	26	233.25	86	SCE-18N1606NK-O	N1	22	128.86	112
SCE-16H1606LP	A3	27	228.25	86	SCE-18N1606NK-T	N1	22	128.86	112
SCE-16H1606SS6LP	S7	26	835.59	256	SCE-18P16AL	F2	3	55.53	388
SCE-16H1606SSLP	S3	26	696.32	254	SCE-18P16PC	P3	6	26.84	382
SCE-16H1608LP	A3	27	240.78	86	SCE-18SBASE	P2	21	111.76	8
SCE-16H2006LP	A3	30	245.80	86	SCE-18SBASESS	P2	16	424.63	361
SCE-16H2006SS6LP	S7	30	918.65	256	SCE-19-1U	P2	1	9.32	138
SCE-16H2006SSLP	S3	30	765.54	254	SCE-19-2U	P2	1	15.52	138
SCE-16H2008LP	A3	33	258.34	86	SCE-19-3U	P2	2	21.71	138
SCE-16HMI2006LP	C2	31	421.93	34	SCE-19ELJEXPP	P2	13	152.23	396
SCE-16HMI2006SSLP	C2	31	811.58	218	SCE-1PB	A1	2	43.90	46
SCE-16HMI2010LP	C2	38	445.70	34					
SCE-16HMI2010SSLP	C2	38	892.39	218					

Phone (989) 799-6871
Fax (989) 799-4524



1 Operator System Enclosures
2 Wall-Mount Enclosures
3 Free-Standing & Floor-Mounted Enclosures
4 Modular Enclosures
5 Operator System Enclosures (Stainless Steel)
6 Wall-Mount Enclosures (Stainless Steel)
7 Free-Standing & Floor-Mounted Enclosures (Stainless Steel)
8 Non-Metallic Enclosures
9 Accessories
10 Technical Information
11 Index

PART NUMBER	PRICE CODE	ESTIMATED SHIPPING WT.	LIST PRICE	PAGE NUMBER
SCE-1PBA	A1	3	65.22	60
SCE-1PBAI	A1	3	65.22	62
SCE-1PBF	F1	2	78.24	306
SCE-1PBGX	A1	2	50.17	54
SCE-1PBI	A1	2	43.90	48
SCE-1PBSS	S1	2	134.38	228
SCE-1PBSS6	S1	2	161.26	228
SCE-1PBSS6I	S1	2	161.26	230
SCE-1PBSSI	S1	2	134.38	230
SCE-1PBX	A1	3	56.43	50
SCE-1PBXI	A1	3	56.43	52
SCE-1PBXSS	S1	3	179.00	228
SCE-1PBXSS6	S1	4	214.80	228
SCE-1PBXSS6I	S1	3	214.80	230
SCE-1PBXSSI	S1	3	179.00	230
SCE-201610ELJ	E1	26	185.13	64
SCE-201610ELJLG	E1	26	185.13	66
SCE-20166ELJ	E1	22	151.40	64
SCE-20166ELJLG	E1	22	151.40	66
SCE-20168ELJ	E1	23	157.76	64
SCE-20168ELJLG	E1	23	157.76	66
SCE-2016CHQRF	F1	21	592.60	310
SCE-2016FG	F1	21	551.00	308
SCE-2016FW	F1	21	1,002.57	312
SCE-202010ELJ	E1	30	187.50	64
SCE-202010ELJLG	E1	30	187.50	66
SCE-20206ELJ	E1	24	168.36	64
SCE-20206ELJLG	E1	24	168.36	66
SCE-20208ELJ	E1	27	178.20	64
SCE-20208ELJLG	E1	27	178.20	66
SCE-20208ELJW	E1	27	242.20	68
SCE-20C20ELJ	A1	34	218.21	8
SCE-20C20ELJSS	S1	25	957.18	198
SCE-20C24ELJ	A1	42	243.28	8
SCE-20C24ELJSS	S1	31	1,100.25	198
SCE-20C30ELJ	A1	60	278.41	8
SCE-20C30ELJSS	S1	125	1,320.04	198
SCE-20EL1206LP	E3	23	209.13	78
SCE-20EL1206LPLG	E3	23	209.13	80
SCE-20EL1606LP	E3	28	225.12	78
SCE-20EL1606LPLG	E3	28	225.12	80
SCE-20EL1606SS6LP	S7	28	871.43	250
SCE-20EL1606SSLP	S5	28	726.19	248
SCE-20EL1608LP	E3	30	237.42	78
SCE-20EL1608LPLG	E3	30	237.42	80
SCE-20EL1608SS6LP	S7	32	925.17	250
SCE-20EL1608SSLP	S5	30	770.98	248
SCE-20EL1608SSST	S8	30	1,079.37	252
SCE-20EL1610LP	E3	41	252.38	78
SCE-20EL1610LPLG	E3	41	252.38	80
SCE-20EL1610SS6LP	S7	36	987.08	250
SCE-20EL1610SSLP	S5	34	822.57	248
SCE-20EL1612LP	E3	38	263.25	78
SCE-20EL1612LPLG	E3	38	263.25	80

PART NUMBER	PRICE CODE	ESTIMATED SHIPPING WT.	LIST PRICE	PAGE NUMBER
SCE-20EL1612SSST	S8	39	1,210.13	252
SCE-20EL2006LP	E3	33	242.34	78
SCE-20EL2006LPLG	E3	33	242.34	80
SCE-20EL2006SS6LP	S7	33	952.88	250
SCE-20EL2006SSLP	S5	34	794.06	248
SCE-20EL2008LP	E3	36	255.87	78
SCE-20EL2008LPLG	E3	36	255.87	80
SCE-20EL2008SS6LP	S7	38	1,024.54	250
SCE-20EL2008SSLP	S5	37	853.79	248
SCE-20EL2008SSST	S8	38	1,195.31	252
SCE-20EL2010LP	E3	42	270.07	78
SCE-20EL2010LPLG	E3	42	270.07	80
SCE-20EL2010SS6LP	S7	40	1,091.33	250
SCE-20EL2010SSLP	S5	40	909.44	248
SCE-20EL2012LP	E3	43	284.17	78
SCE-20EL2012LPLG	E3	43	284.17	80
SCE-20EL2012SSST	S8	47	1,343.69	252
SCE-20EL2408LP	E3	42	275.56	78
SCE-20EL2408LPLG	E3	42	275.56	80
SCE-20EL2408SS6LP	S7	46	1,120.64	250
SCE-20EL2408SSLP	S5	43	933.87	248
SCE-20H1206LP	A3	24	225.73	86
SCE-20H1208LP	A3	26	238.27	86
SCE-20H1606LP	A3	30	245.80	86
SCE-20H1606SS6LP	S7	30	918.65	256
SCE-20H1606SSLP	S3	30	765.54	254
SCE-20H1608LP	A3	31	258.34	86
SCE-20H1608QFGLP	F1	18	776.59	314
SCE-20H1608SS6LP	S7	34	983.81	256
SCE-20H1608SSLP	S3	33	819.84	254
SCE-20H1610LP	A3	34	270.87	86
SCE-20H1610QFGLP	F1	19	878.30	314
SCE-20H1610SS6LP	S7	36	1,050.60	256
SCE-20H1610SSLP	S3	35	875.50	254
SCE-20H1612LP	A3	37	285.93	86
SCE-20H1612QFGLP	F1	22	972.59	314
SCE-20H2006LP	A3	34	263.35	86
SCE-20H2006SS6LP	S7	36	1,013.14	256
SCE-20H2006SSLP	S3	35	844.28	254
SCE-20H2008LP	A3	33	278.41	86
SCE-20H2010LP	A3	41	293.45	86
SCE-20H2406LP	A3	40	283.43	86
SCE-20H2408LP	A3	44	300.48	86
SCE-20H2408SS6LP	S7	44	1,189.05	256
SCE-20H2408SSLP	S3	45	990.88	254
SCE-20H3006LP	A3	48	341.10	86
SCE-20HMI2406LP	C2	43	461.02	34
SCE-20HMI2406SSLP	C2	43	950.97	218
SCE-20HMI2410LP	C2	50	496.94	34
SCE-20HMI2410SSLP	C2	51	1,038.60	218
SCE-20N1606LP	N1	21	121.09	110
SCE-20N1608LP	N1	24	132.41	110
SCE-20N16MP	N1	6	21.62	389
SCE-20N16MPP	N1	3	26.46	390
SCE-20N2006LP	N1	25	132.99	110
SCE-20N2008LP	N1	28	145.52	110



Phone (989) 799-6871
 Fax (989) 799-4524

1 Operator System Enclosures
 2 Wall-Mount Enclosures
 3 Free-Standing & Floor-Mounted Enclosures
 4 Modular Enclosures
 5 Operator System Enclosures (Stainless Steel)
 6 Wall-Mount Enclosures (Stainless Steel)
 7 Free-Standing & Floor-Mounted Enclosures (Stainless Steel)
 8 Non-Metallic Enclosures
 9 Accessories
 10 Technical Information
 11 Index

PART NUMBER	PRICE CODE	ESTIMATED SHIPPING WT.	LIST PRICE	PAGE NUMBER	PART NUMBER	PRICE CODE	ESTIMATED SHIPPING WT.	LIST PRICE	PAGE NUMBER
SCE-20N2010LP	N1	31	158.06	110	SCE-24EL2008LP	E3	42	275.56	78
SCE-20N20MP	N1	7	27.84	389	SCE-24EL2008PLG	E3	42	275.56	80
SCE-20N20MPP	N1	4	30.55	390	SCE-24EL2008SS6LP	S7	44	1,120.64	250
SCE-20P12	P3	5	23.14	382	SCE-24EL2008SSLP	S5	43	933.87	248
SCE-20P12GALV	P3	6	23.14	386	SCE-24EL2008SSST	S8	40	1,307.56	252
SCE-20P16	P3	8	30.37	382	SCE-24EL2010LP	E3	46	292.78	78
SCE-20P16AL	F2	3	76.68	388	SCE-24EL2010PLG	E3	46	292.78	80
SCE-20P16GALV	P3	7	30.37	386	SCE-24EL2010LPPL	E3	50	403.89	84
SCE-20P16J	P3	5	30.40	391	SCE-24EL2010SS6LP	S7	48	1,197.20	250
SCE-20P16JGALV	P3	8	29.18	382	SCE-24EL2010SS6LPPL	S7	61	1,342.98	246
SCE-20P16SS	P3	7	75.91	384	SCE-24EL2010SSLP	S5	48	997.67	248
SCE-20P18HMI	P3	7	33.23	382	SCE-24EL2010SSLPL	S9	48	1,119.15	246
SCE-20P20	P3	10	35.44	382	SCE-24EL2012LP	E3	50	307.54	78
SCE-20P20C	P3	7	39.00	388	SCE-24EL2012PLG	E3	50	307.54	80
SCE-20P20GALV	P3	10	35.44	386	SCE-24EL2012SS6LP	S7	52	1,270.49	250
SCE-20P20J	P3	8	35.44	382	SCE-24EL2012SSLP	S5	53	1,058.74	248
SCE-20P20SS	P3	10	88.62	384	SCE-24EL2012SSST	S8	56	1,482.24	252
SCE-20P24C	P3	8	42.30	388	SCE-24EL2016LP	E3	63	337.06	78
SCE-20P30C	P3	10	47.32	388	SCE-24EL2016PLG	E3	63	337.06	80
SCE-20PJ16AL	F2	4	65.28	388	SCE-24EL2406LP	E3	45	281.71	78
SCE-20POS	C2	17	247.74	27	SCE-24EL2406PLG	E3	45	281.71	80
SCE-20R1606LP	N3	25	134.15	106	SCE-24EL2408LP	E3	48	297.70	78
SCE-20R1608LP	N3	28	140.54	106	SCE-24EL2408PLG	E3	48	297.70	80
SCE-20RMW	P2	18	223.52	137	SCE-24EL2408SS6LP	S7	51	1,231.40	250
SCE-20SA2208LPPL	A5	42	465.86	98	SCE-24EL2408SSLP	S5	49	1,026.17	248
SCE-20SA2210LPPL	A5	44	483.60	98	SCE-24EL2408SSST	S8	50	1,436.64	252
SCE-20STS	C2	13	70.41	27	SCE-24EL2410LP	E3	60	314.93	78
SCE-20VESTS	C2	13	169.51	27	SCE-24EL2410PLG	E3	60	314.93	80
SCE-20XEL2108LP	E3	40	349.36	94	SCE-24EL2410LPPL	E3	60	426.04	84
SCE-20XEL2108LPLG	E3	40	349.36	96	SCE-24EL2410SS6LP	S7	55	1,316.08	250
SCE-20XEL2108SS6LP	S7	41	1,091.33	262	SCE-24EL2410SS6LPPL	S7	56	1,461.86	246
SCE-20XEL2108SSLP	S5	41	909.44	260	SCE-24EL2410SSLP	S5	54	1,096.74	248
SCE-20XEL2110LP	E3	43	367.82	94	SCE-24EL2410SSLPL	S9	54	1,218.22	246
SCE-20XEL2110LPLG	E3	43	367.82	96	SCE-24EL2412LP	E3	56	329.69	78
SCE-2233X	P2	1	11.50	404	SCE-24EL2412PLG	E3	56	329.69	80
SCE-22POS	C2	18	251.26	27	SCE-24EL2412SS6LP	S7	58	1,400.80	250
SCE-22STS	C2	16	73.82	27	SCE-24EL2412SSLP	S5	58	1,167.34	248
SCE-22VEPOS	C2	18	317.95	27	SCE-24EL2412SSST	S8	66	1,634.28	252
SCE-22VESTS	C2	16	175.04	27	SCE-24EL2416LP	E3	71	362.90	78
SCE-2424PC	F1	23	724.65	302	SCE-24EL2416PLG	E3	71	362.90	80
SCE-2424PCW	F1	23	1,159.44	304	SCE-24EL2416SS6LP	S7	72	1,588.12	250
SCE-244208WFLP	A4	80	531.50	92	SCE-24EL2416SSLP	S5	72	1,323.43	248
SCE-244808WFLP	A4	94	576.22	92	SCE-24EL2416SSST	S8	85	2,179.04	252
SCE-244812WFLP	A4	131	615.84	92	SCE-24EL3008LP	E3	53	329.69	78
SCE-24EL1206LP	E3	28	218.97	78	SCE-24EL3008PLG	E3	53	329.69	80
SCE-24EL1206LPLG	E3	28	218.97	80	SCE-24EL3008SS6LP	S7	58	1,399.17	250
SCE-24EL1606LP	E3	33	239.89	78	SCE-24EL3008SSLP	S5	58	1,165.97	248
SCE-24EL1606LPLG	E3	33	239.89	80	SCE-24EL3010LP	E3	63	355.51	78
SCE-24EL1608LP	E3	36	253.42	78	SCE-24EL3010LPLG	E3	63	355.51	80
SCE-24EL1608LPLG	E3	36	253.42	80	SCE-24EL3010SS6LP	S7	64	1,505.04	250
SCE-24EL1608SS6LP	S7	38	1,008.25	250	SCE-24EL3010SSLP	S5	64	1,254.20	248
SCE-24EL1608SSLP	S5	36	840.20	248	SCE-24EL3012LP	E3	78	380.54	78
SCE-24EL2006LP	E3	38	260.80	78	SCE-24EL3012PLG	E3	78	380.54	80
SCE-24EL2006LPLG	E3	38	260.80	80	SCE-24EL4210SSWFLP	S5	91	2,990.12	258
SCE-24EL2006SS6LP	S7	42	1,068.52	250					
SCE-24EL2006SSLP	S5	40	890.43	248					

Phone (989) 799-6871
Fax (989) 799-4524



1 Operator System Enclosures
2 Wall-Mount Enclosures
3 Free-Standing & Floor-Mounted Enclosures
4 Modular Enclosures
5 Operator System Enclosures (Stainless Steel)
6 Wall-Mount Enclosures (Stainless Steel)
7 Free-Standing & Floor-Mounted Enclosures (Stainless Steel)
8 Non-Metallic Enclosures
9 Accessories
10 Technical Information
11 Index

PART NUMBER	PRICE CODE	ESTIMATED SHIPPING WT.	LIST PRICE	PAGE NUMBER
SCE-24EL4210WFLP	A4	91	821.92	90
SCE-24EL4810SSWFLP	S5	99	3,108.66	258
SCE-24EL4810WFLP	A4	99	854.84	90
SCE-24H1206LP	A3	28	238.10	86
SCE-24H1208LP	A3	32	253.33	86
SCE-24H1210LP	A3	39	265.86	86
SCE-24H1606LP	A3	32	260.85	86
SCE-24H1608LP	A3	36	275.89	86
SCE-24H1608SS6LP	S7	37	1,070.15	256
SCE-24H1608SSLP	S3	39	891.79	254
SCE-24H2006LP	A3	39	283.43	86
SCE-24H2006SS6LP	S7	41	1,109.24	256
SCE-24H2006SSLP	S3	40	924.36	254
SCE-24H2008LP	A3	43	300.98	86
SCE-24H2008SS6LP	S7	45	1,189.05	256
SCE-24H2008SSLP	S3	44	990.88	254
SCE-24H2010LP	A3	46	316.04	86
SCE-24H2010QFGLP	F1	32	1,313.22	314
SCE-24H2010SS6LP	S7	49	1,270.49	256
SCE-24H2010SSLP	S3	48	1,058.74	254
SCE-24H2012LP	A3	50	333.58	86
SCE-24H2016LP	A3	60	366.19	86
SCE-24H2406LP	A3	43	305.99	86
SCE-24H2406SSLP	S3	45	950.00	254
SCE-24H2408LP	A3	50	323.55	86
SCE-24H2408SS6LP	S7	51	1,307.95	256
SCE-24H2408SSLP	S3	50	1,089.96	254
SCE-24H2410LP	A3	55	341.10	86
SCE-24H2412LP	A3	56	358.66	86
SCE-24H2412SS6LP	S7	60	1,485.51	256
SCE-24H2412SSLP	S3	58	1,237.92	254
SCE-24H2416LP	A3	72	393.78	86
SCE-24H3008LP	A3	48	358.66	86
SCE-24H3008SS6LP	S7	61	1,485.51	256
SCE-24H3008SSLP	S3	61	1,237.92	254
SCE-24HS2108LP	A3	45	456.48	100
SCE-24HS2108SS6LP	S7	48	1,338.91	266
SCE-24HS2108SSLP	S3	47	1,115.76	266
SCE-24HS2508LP	A3	52	494.10	100
SCE-24HS2508SS6LP	S7	51	1,472.47	266
SCE-24HS2508SSLP	S3	51	1,227.06	266
SCE-24KB	P2	32	447.04	359
SCE-24N1606LP	N1	27	131.91	110
SCE-24N16MP	N1	7	22.89	389
SCE-24N16MPP	N1	5	30.55	390
SCE-24N2006LP	N1	32	147.17	110
SCE-24N2006NK-B	N1	35	152.30	112
SCE-24N2006NK-O	N1	35	152.30	112
SCE-24N2006NK-T	N1	35	152.30	112
SCE-24N2008LP	N1	33	161.03	110
SCE-24N2010LP	N1	35	174.83	110
SCE-24N20MP	N1	9	31.67	389
SCE-24N20MPP	N1	5	36.52	390
SCE-24N2406LP	N1	41	149.12	110

PART NUMBER	PRICE CODE	ESTIMATED SHIPPING WT.	LIST PRICE	PAGE NUMBER
SCE-24N2408LP	N1	46	164.32	110
SCE-24N2412LP	N1	53	194.33	110
SCE-24N24MP	N1	11	36.97	389
SCE-24N24MPP	N1	8	53.44	390
SCE-24P12AL	F2	4	70.69	388
SCE-24P16	P3	11	32.92	382
SCE-24P16GALV	P3	11	32.92	386
SCE-24P16SS	P3	9	82.28	384
SCE-24P20	P3	14	45.57	382
SCE-24P20AL	F2	4	106.15	388
SCE-24P20GALV	P3	14	47.85	386
SCE-24P20SS	P3	13	110.77	384
SCE-24P24	P3	17	53.18	382
SCE-24P24GALV	P3	17	55.84	386
SCE-24P24PC	P3	17	39.97	382
SCE-24P24PCAL	F2	7	104.98	388
SCE-24P24SS	P3	15	132.93	384
SCE-24PEBASE	C2	21	545.02	31
SCE-24PEBASESS	C2	23	1,363.86	31
SCE-24R2006LP	N3	35	205.54	106
SCE-24R2008LP	N3	32	215.39	106
SCE-24R2012LP	N3	44	231.21	106
SCE-24R2016LP	N3	42	250.38	106
SCE-24R2408LP	N3	58	233.57	106
SCE-24R2412LP	N3	57	249.82	106
SCE-24R2416LP	N3	68	270.42	106
SCE-24SA2208LPPL	A5	49	491.19	98
SCE-24SA2210LPPL	A5	50	511.43	98
SCE-24SA2212LPPL	A5	65	455.45	98
SCE-24SA2608LPPL	A5	54	521.57	98
SCE-24SA2610LPPL	A5	57	541.83	98
SCE-24SBASE	P2	47	253.32	8
SCE-24SBASESS	P2	25	451.45	361
SCE-24XEL2108LP	E3	47	376.43	94
SCE-24XEL2108LPLG	E3	47	376.43	96
SCE-24XEL2108SS6LP	S7	48	1,189.05	262
SCE-24XEL2108SSLP	S5	47	990.88	260
SCE-24XEL2508LP	E3	54	405.95	94
SCE-24XEL2508LPLG	E3	54	405.95	96
SCE-24XEL2508SS6LP	S7	49	1,293.30	262
SCE-24XEL2508SSLP	S5	57	1,077.75	260
SCE-24XEL2510LP	E3	59	425.65	94
SCE-24XEL2510LPLG	E3	59	425.65	96
SCE-24XEL2510SS6LP	S7	60	1,382.87	262
SCE-24XEL2510SSLP	S5	57	1,152.39	260
SCE-24XEL2510SSST	S8	55	1,555.73	264
SCE-26POS	C2	18	254.25	27
SCE-26STS	C2	18	76.92	27
SCE-26VESTS	C2	17	182.54	27
SCE-29VR2412	N3	125	672.08	104
SCE-29VR2416	N3	130	741.77	104
SCE-2PB	A1	2	50.17	46
SCE-2PBA	A1	3	75.24	60
SCE-2PBAI	A1	3	75.24	62
SCE-2PBF	F1	2	80.28	306
SCE-2PBGX	A1	2	55.18	54



Phone (989) 799-6871
Fax (989) 799-4524

1 Operator System Enclosures
2 Wall-Mount Enclosures
3 Free-Standing & Floor-Mounted Enclosures
4 Modular Enclosures
5 Operator System Enclosures (Stainless Steel)
6 Wall-Mount Enclosures (Stainless Steel)
7 Free-Standing & Floor-Mounted Enclosures (Stainless Steel)
8 Non-Metallic Enclosures
9 Accessories
10 Technical Information
11 Index

PART NUMBER	PRICE CODE	ESTIMATED SHIPPING WT.	LIST PRICE	PAGE NUMBER	PART NUMBER	PRICE CODE	ESTIMATED SHIPPING WT.	LIST PRICE	PAGE NUMBER
SCE-2PBI	A1	3	50.17	48	SCE-30EL3008SSST	S8	73	1,871.80	252
SCE-2PBSS	S1	2	168.31	228	SCE-30EL3010LP	E3	82	410.87	78
SCE-2PBSS6	S1	3	201.97	228	SCE-30EL3010PLG	E3	82	410.87	80
SCE-2PBSS6I	S1	3	201.97	230	SCE-30EL3010SS6LP	S7	81	1,702.14	250
SCE-2PBSSI	S1	2	168.31	230	SCE-30EL3010SSLP	S5	81	1,418.45	248
SCE-2PBX	A1	3	65.22	50	SCE-30EL3012LP	E3	82	423.17	78
SCE-2PBXI	A1	4	65.22	52	SCE-30EL3012PLG	E3	82	423.17	80
SCE-2PBXSS	S1	4	224.05	228	SCE-30EL3012LPPL	E3	95	534.28	84
SCE-2PBXSS6	S1	4	268.86	228	SCE-30EL3012SS6LP	S7	89	1,808.01	250
SCE-304210WFLP	A4	113	635.82	92	SCE-30EL3012SS6LPPL	S7	130	1,956.64	246
SCE-304810WFLP	A4	117	690.46	92	SCE-30EL3012SSLP	S5	89	1,506.67	248
SCE-306010WFLP	A4	143	799.74	92	SCE-30EL3012SSLPPL	S9	89	1,630.53	246
SCE-306012WFLP	A4	205	861.12	92	SCE-30EL3012SSST	S8	125	2,327.86	252
SCE-30EL1606LP	E3	37	263.25	78	SCE-30EL3608LP	E3	84	408.42	78
SCE-30EL1606LPLG	E3	37	263.25	80	SCE-30EL3608PLG	E3	84	408.42	80
SCE-30EL1606SS6LP	S7	42	1,172.77	250	SCE-30EL3608SS6LP	S7	84	1,794.98	250
SCE-30EL1606SSLP	S5	41	977.30	248	SCE-30EL3608SSLP	S5	84	1,495.82	248
SCE-30EL2008LP	E3	50	303.85	78	SCE-30EL4210SSWFLP	S5	120	3,168.28	258
SCE-30EL2008LPLG	E3	50	303.85	80	SCE-30EL4210WFLP	A4	120	866.84	90
SCE-30EL2008SS6LP	S7	52	1,270.49	250	SCE-30EL4810SSWFLP	S5	127	3,347.42	258
SCE-30EL2008SSLP	S5	52	1,058.74	248	SCE-30EL4810WFLP	A4	127	954.91	90
SCE-30EL2010LP	E3	53	319.84	78	SCE-30EL6010SSWFLP	S5	187	3,758.21	258
SCE-30EL2010LPLG	E3	53	319.84	80	SCE-30EL6010WFLP	A4	187	1,055.50	90
SCE-30EL2010SS6LP	S7	57	1,376.37	250	SCE-30H1606LP	A3	41	285.93	86
SCE-30EL2010SSLP	S5	56	1,146.97	248	SCE-30H2006LP	A3	48	311.00	86
SCE-30EL2406LP	E3	31	309.63	78	SCE-30H2008LP	A3	50	331.07	86
SCE-30EL2406LPLG	E3	31	309.63	80	SCE-30H2008SS6LP	S7	53	1,345.42	256
SCE-30EL2408LP	E3	55	329.69	78	SCE-30H2008SSLP	S3	52	1,121.18	254
SCE-30EL2408LPLG	E3	55	329.69	80	SCE-30H2010LP	A3	55	348.61	86
SCE-30EL2408SS6LP	S7	53	1,400.80	250	SCE-30H2010QFGLP	F1	37	1,401.46	314
SCE-30EL2408SSLP	S5	53	1,167.34	248	SCE-30H2406LP	A3	56	338.60	86
SCE-30EL2408SSST	S8	90	1,634.28	252	SCE-30H2408LP	A3	61	358.66	86
SCE-30EL2410LP	E3	68	355.51	78	SCE-30H2408SS6LP	S7	61	1,485.51	256
SCE-30EL2410LPLG	E3	68	355.51	80	SCE-30H2408SSLP	S3	60	1,237.92	254
SCE-30EL2410SS6LP	S7	68	1,506.67	250	SCE-30H2409QFGLP	F1	46	1,571.62	314
SCE-30EL2410SSLP	S5	68	1,255.56	248	SCE-30H2410LP	A3	68	378.73	86
SCE-30EL2412LP	E3	63	366.59	78	SCE-30H2412LP	A3	73	398.79	86
SCE-30EL2412LPLG	E3	63	366.59	80	SCE-30H2412QFGLP	F1	51	1,591.02	314
SCE-30EL2412LPPL	E3	80	477.70	84	SCE-30H2412SS6LP	S7	69	1,684.21	256
SCE-30EL2412SS6LP	S7	69	1,596.26	250	SCE-30H2412SSLP	S3	69	1,403.51	254
SCE-30EL2412SS6LPPL	S7	79	1,744.88	246	SCE-30H2414QFGLP	F1	55	1,673.51	314
SCE-30EL2412SSLP	S5	69	1,330.21	248	SCE-30H2416LP	A3	80	438.92	86
SCE-30EL2412SSLPPL	S9	69	1,454.07	246	SCE-30H2416SS6LP	S7	81	1,886.18	256
SCE-30EL2412SSST	S8	71	1,862.29	252	SCE-30H2416SSLP	S3	81	1,571.81	254
SCE-30EL2416LP	E3	80	404.72	78	SCE-30H2420LP	A3	91	479.05	86
SCE-30EL2416LPLG	E3	80	404.72	80	SCE-30H2424LP	A3	99	519.19	86
SCE-30EL2416SS6LP	S7	80	1,759.14	250	SCE-30H3008LP	A3	74	401.30	86
SCE-30EL2416SSLP	S5	80	1,465.95	248	SCE-30H3008SS6LP	S7	74	1,697.26	256
SCE-30EL2420LP	E3	91	441.62	78	SCE-30H3008SSLP	S3	74	1,414.38	254
SCE-30EL2420LPLG	E3	91	441.62	80	SCE-30H3012LP	A3	89	446.44	86
SCE-30EL2424LP	E3	99	478.53	78	SCE-30H3608LP	A3	84	443.93	86
SCE-30EL2424LPLG	E3	99	478.53	80	SCE-30HS2508LP	A3	66	546.77	100
SCE-30EL3008LP	E3	63	369.05	78	SCE-30HS2508SS6LP	S7	61	1,671.19	266
SCE-30EL3008LPLG	E3	63	369.05	80	SCE-30HS2508SSLP	S3	61	1,392.66	266
SCE-30EL3008SS6LP	S7	67	1,604.41	250					
SCE-30EL3008SSLP	S5	67	1,337.00	248					

Phone (989) 799-6871
Fax (989) 799-4524



1 Operator System Enclosures
 2 Wall-Mount Enclosures
 3 Free-Standing & Floor-Mounted Enclosures
 4 Modular Enclosures
 5 Operator System Enclosures (Stainless Steel)
 6 Wall-Mount Enclosures (Stainless Steel)
 7 Free-Standing & Floor-Mounted Enclosures (Stainless Steel)
 8 Non-Metallic Enclosures
 9 Accessories
 10 Technical Information
 11 Index

PART NUMBER	PRICE CODE	ESTIMATED SHIPPING WT.	LIST PRICE	PAGE NUMBER
SCE-30N2406LP	N1	39	165.84	110
SCE-30N2408LP	N1	54	184.23	110
SCE-30N2412LP	N1	61	216.79	110
SCE-30N24MP	N1	13	43.99	389
SCE-30N24MPP	N1	11	68.13	390
SCE-30N3008LP	N1	60	207.99	110
SCE-30N30MP	N1	17	58.07	389
SCE-30N30MPP	N1	14	85.12	390
SCE-30P16	P3	14	45.57	382
SCE-30P16GALV	P3	14	47.85	386
SCE-30P20	P3	18	55.70	382
SCE-30P20AL	F2	5	130.68	388
SCE-30P20GALV	P3	18	58.49	386
SCE-30P24	P3	22	63.29	382
SCE-30P24AL	F2	6	174.35	388
SCE-30P24GALV	P3	22	66.45	386
SCE-30P24SS	P3	19	158.23	384
SCE-30P30	P3	28	83.55	382
SCE-30P30GALV	P3	28	87.73	386
SCE-30P30SS	P3	24	208.88	384
SCE-30R2408LP	N3	60	284.18	106
SCE-30R2412LP	N3	64	300.86	106
SCE-30R2416LP	N3	58	322.06	106
SCE-30SA2208LPPL	A5	96	529.16	98
SCE-30SA2210LPPL	A5	105	554.48	98
SCE-30SA2608LPPL	A5	67	564.62	98
SCE-30SA2610LPPL	A5	70	589.92	98
SCE-30SA2612LPPL	A5	76	615.25	98
SCE-30XEL2108LP	E3	56	431.37	94
SCE-30XEL2108LPLG	E3	56	431.37	96
SCE-30XEL2508LP	E3	63	450.25	94
SCE-30XEL2508LPLG	E3	63	450.25	96
SCE-30XEL2508SS6LP	S7	54	1,515.05	262
SCE-30XEL2508SSLP	S5	54	1,262.54	260
SCE-30XEL2510LP	E3	67	473.62	94
SCE-30XEL2510LPLG	E3	67	473.62	96
SCE-30XEL2510SS6LP	S7	70	1,650.98	262
SCE-30XEL2510SSLP	S5	70	1,375.82	260
SCE-30XEL2510SSST	S8	61	1,759.14	264
SCE-342424SSWS	S3	198	5,768.79	206
SCE-342424WS	C2	193	1,676.11	22
SCE-35VR2412	N3	131	751.88	104
SCE-364212WFLP	A4	135	740.14	92
SCE-364216WFLP	A4	145	805.15	92
SCE-364810WFLP	A4	137	794.78	92
SCE-364812WFLP	A4	140	807.20	92
SCE-364816WFLP	A4	150	881.94	92
SCE-366012WFLP	A4	191	941.31	92
SCE-366016WFLP	A4	208	1,048.69	92
SCE-36EL2408LP	E3	64	362.90	78
SCE-36EL2408LPLG	E3	64	362.90	80
SCE-36EL2408SS6LP	S7	66	1,579.97	250
SCE-36EL2408SSLP	S5	66	1,316.64	248
SCE-36EL2408SSST	S8	71	1,843.30	252

PART NUMBER	PRICE CODE	ESTIMATED SHIPPING WT.	LIST PRICE	PAGE NUMBER
SCE-36EL2410LP	E3	74	392.42	78
SCE-36EL2410PLG	E3	74	394.42	80
SCE-36EL2410SS6LP	S7	74	1,685.86	250
SCE-36EL2410SSLP	S5	74	1,404.88	248
SCE-36EL2412LP	E3	77	404.72	78
SCE-36EL2412PLG	E3	77	404.72	80
SCE-36EL2412LPPL	E3	100	515.83	84
SCE-36EL2412SS6LPPL	S7	86	1,933.78	246
SCE-36EL2412SSLPPL	S9	90	1,611.48	246
SCE-36EL2412SSST	S8	78	2,072.73	252
SCE-36EL2416LP	E3	82	418.25	78
SCE-36EL2416PLG	E3	82	418.25	80
SCE-36EL3008LP	E3	73	408.42	78
SCE-36EL3008LPLG	E3	73	408.42	80
SCE-36EL3008SS6LP	S7	75	1,794.98	250
SCE-36EL3008SSLP	S5	75	1,495.82	248
SCE-36EL3008SSST	S8	77	2,094.15	252
SCE-36EL3010LP	E3	89	435.47	78
SCE-36EL3010PLG	E3	89	435.47	80
SCE-36EL3010SS6LP	S7	89	1,928.54	250
SCE-36EL3010SSLP	S5	89	1,607.12	248
SCE-36EL3012LP	E3	87	452.70	78
SCE-36EL3012LPLG	E3	87	452.70	80
SCE-36EL3012LPPL	E3	115	563.81	84
SCE-36EL3012SS6LP	S7	94	2,044.18	250
SCE-36EL3012SS6LPPL	S7	111	2,195.66	246
SCE-36EL3012SSLP	S5	94	1,703.48	248
SCE-36EL3012SSLPPL	S9	94	1,829.72	246
SCE-36EL3012SSST	S8	99	2,384.87	252
SCE-36EL3016LP	E3	114	498.22	78
SCE-36EL3016LPLG	E3	114	498.22	80
SCE-36EL3016SSLP	S5	141	1,797.36	248
SCE-36EL3016SSST	S8	110	2,528.04	252
SCE-36EL3020LP	E3	123	542.51	78
SCE-36EL3020LPLG	E3	123	542.51	80
SCE-36EL3608LP	E3	102	452.70	78
SCE-36EL3608LPLG	E3	102	452.70	80
SCE-36EL3608SS6LP	S7	102	2,068.63	250
SCE-36EL3608SSLP	S5	102	1,723.86	248
SCE-36EL3610LP	E3	136	488.77	78
SCE-36EL3610LPLG	E3	136	488.77	80
SCE-36EL3612LP	E3	111	501.91	78
SCE-36EL3612LPLG	E3	111	501.91	80
SCE-36EL3612SS6LP	S7	111	2,296.66	250
SCE-36EL3612SSLP	S5	111	1,913.89	248
SCE-36EL3612SSLPPL	S9	123	2,059.70	246
SCE-36EL3612SSST	S8	129	2,435.89	252
SCE-36EL3616LP	E3	122	551.11	78
SCE-36EL3616LPLG	E3	122	551.11	80
SCE-36EL4212SSWFLP	S5	155	3,772.54	258
SCE-36EL4216WFLP	A4	155	1,047.13	90
SCE-36EL4812SSWFLP	S5	134	3,866.89	258
SCE-36EL4812WFLP	A4	134	1,101.45	90
SCE-36EL6012SSWFLP	S5	153	4,269.15	258
SCE-36EL6012WFLP	A4	153	1,223.32	90
SCE-36H1606LP	A3	48	303.48	86



Phone (989) 799-6871
 Fax (989) 799-4524

1 Operator System Enclosures
 2 Wall-Mount Enclosures
 3 Free-Standing & Floor-Mounted Enclosures
 4 Modular Enclosures
 5 Operator System Enclosures (Stainless Steel)
 6 Wall-Mount Enclosures (Stainless Steel)
 7 Free-Standing & Floor-Mounted Enclosures (Stainless Steel)
 8 Non-Metallic Enclosures
 9 Accessories
 10 Technical Information
 11 Index

PART NUMBER	PRICE CODE	ESTIMATED SHIPPING WT.	LIST PRICE	PAGE NUMBER	PART NUMBER	PRICE CODE	ESTIMATED SHIPPING WT.	LIST PRICE	PAGE NUMBER
SCE-36H2406LP	A3	63	371.21	86	SCE-36P30	P3	34	101.27	382
SCE-36H2408LP	A3	65	393.78	86	SCE-36P30AL	F2	9	252.39	388
SCE-36H2408SS6LP	S7	66	1,663.04	256	SCE-36P30GALV	P3	27	111.40	386
SCE-36H2408SSLP	S3	66	1,385.87	254	SCE-36P30SS	P3	27	253.19	384
SCE-36H2410LP	A3	74	416.36	86	SCE-36P36	P3	35	118.99	382
SCE-36H2410SS6LP	S7	72	1,775.43	256	SCE-36P36GALV	P3	35	130.89	386
SCE-36H2410SSLP	S3	72	1,479.52	254	SCE-36P36SS	P3	35	297.46	384
SCE-36H2412LP	A3	77	438.92	86	SCE-36P52	P3	56	161.54	382
SCE-36H2416LP	A3	80	489.09	86	SCE-36R2408LP	N3	62	416.42	106
SCE-36H3006LP	A3	110	418.86	86	SCE-36R2412LP	N3	73	435.69	106
SCE-36H3008LP	A3	84	443.93	86	SCE-36R2416LP	N3	77	454.97	106
SCE-36H3008SS6LP	S7	87	1,907.36	256	SCE-36R3008LP	N3	70	442.40	106
SCE-36H3008SSLP	S3	87	1,589.47	254	SCE-36R3012LP	N3	85	463.04	106
SCE-36H3010LP	A3	89	469.01	86	SCE-36R3016LP	N3	89	482.10	106
SCE-36H3010QFGLP	F1	76	2,038.48	314	SCE-36SA2608LPPL	A5	75	594.99	98
SCE-36H3010SS6LP	S7	89	2,029.53	256	SCE-36SA2610LPPL	A5	80	638.03	98
SCE-36H3010SSLP	S3	89	1,691.28	254	SCE-36SA3208LPPL	A5	92	670.95	98
SCE-36H3012LP	A3	94	491.60	86	SCE-36SA3210LPPL	A5	96	703.87	98
SCE-36H3012QFGLP	F1	79	2,059.81	314	SCE-36SA3212LPPL	A5	100	734.24	98
SCE-36H3012SS6LP	S7	97	2,151.69	256	SCE-36SA3216LPPL	A5	113	792.49	98
SCE-36H3012SSLP	S3	97	1,793.07	254	SCE-36X2D5412	A2	187	1,463.80	144
SCE-36H3014QFGLP	F1	82	2,208.61	314	SCE-36XEL2508LP	E3	75	496.98	94
SCE-36H3016LP	A3	106	541.76	86	SCE-36XEL2508LPPLG	E3	75	496.98	96
SCE-36H3016SS6LP	S7	105	2,394.40	256	SCE-36XEL2508SS6LP	S7	68	1,738.16	262
SCE-36H3016SSLP	S3	105	1,995.33	254	SCE-36XEL2508SSLP	S5	68	1,448.47	260
SCE-36H3020LP	A3	103	589.41	86	SCE-36XEL2510LP	E3	75	521.58	94
SCE-36H3608LP	A3	102	491.60	86	SCE-36XEL2510LPPLG	E3	75	521.58	96
SCE-36H3612LP	A3	114	546.77	86	SCE-36XEL3108LP	E3	92	554.81	94
SCE-36H3612SS6LP	S7	113	2,417.18	256	SCE-36XEL3108LPPLG	E3	92	554.81	96
SCE-36H3612SSLP	S3	113	2,014.32	254	SCE-36XEL3110LP	E3	96	586.79	94
SCE-36H3616LP	A3	126	599.43	86	SCE-36XEL3110LPPLG	E3	96	586.79	96
SCE-36HS2508LP	A3	72	601.95	100	SCE-36XEL3110SS6LP	S7	96	2,045.09	262
SCE-36HS2508SS6LP	S7	69	1,869.90	266	SCE-36XEL3110SSLP	S5	96	1,704.24	260
SCE-36HS2508SSLP	S3	69	1,558.25	266	SCE-36XEL3110SSST	S8	77	1,968.03	264
SCE-36HS3108LP	A3	85	677.19	100	SCE-36XEL3112LP	E3	105	618.78	94
SCE-36HS3108SS6LP	S7	83	2,143.55	266	SCE-36XEL3112LPPLG	E3	105	618.78	96
SCE-36HS3108SSLP	S3	83	1,786.29	266	SCE-36XEL3112SS6LP	S7	84	2,162.90	262
SCE-36HS3112LP	A3	94	749.93	100	SCE-36XEL3112SSLP	S5	84	1,802.42	260
SCE-36N2406LP	N1	55	192.87	110	SCE-36XEL3116LP	E3	113	675.37	94
SCE-36N2406NK-B	N1	69	234.30	112	SCE-36XEL3116LPPLG	E3	113	675.37	96
SCE-36N2406NK-T	N1	69	234.30	112	SCE-3916	P2	1	10.27	404
SCE-36N2408LP	N1	62	211.73	110	SCE-3916SS	P2	1	21.69	404
SCE-36N2412LP	N1	73	245.16	110	SCE-3918	P2	1	16.62	404
SCE-36N24MP	N1	21	52.80	389	SCE-3918SS	P2	1	39.84	404
SCE-36N24MPP	N1	13	85.12	390	SCE-3PB	A1	3	56.43	46
SCE-36N3006LP	N1	68	211.16	110	SCE-3PBA	A1	4	85.28	60
SCE-36N3008LP	N1	69	231.98	110	SCE-3PBAL	A1	4	85.28	62
SCE-36N3012LP	N1	83	273.50	110	SCE-3PBF	F1	2	88.61	306
SCE-36N30MP	N1	21	70.39	389	SCE-3PBGX	A1	4	61.45	54
SCE-36N30MPP	N1	17	100.48	390	SCE-3PBI	A1	3	56.43	48
SCE-36P16	P3	17	53.18	382	SCE-3PBSS	S1	3	183.25	228
SCE-36P16GALV	P3	14	55.84	386	SCE-3PBSS6	S1	4	219.90	228
SCE-36P16SS	P3	14	132.93	384	SCE-3PBSS6I	S1	3	219.90	230
SCE-36P24	P3	27	75.96	382	SCE-3PBSSI	S1	3	183.25	230
SCE-36P24GALV	P3	27	79.76	386					
SCE-36P24SS	P3	23	189.91	384					

Phone (989) 799-6871
Fax (989) 799-4524



1 Operator System Enclosures
 2 Wall-Mount Enclosures
 3 Free-Standing & Floor-Mounted Enclosures
 4 Modular Enclosures
 5 Operator System Enclosures (Stainless Steel)
 6 Wall-Mount Enclosures (Stainless Steel)
 7 Free-Standing & Floor-Mounted Enclosures (Stainless Steel)
 8 Non-Metallic Enclosures
 9 Accessories
 10 Technical Information
 11 Index

PART NUMBER	PRICE CODE	ESTIMATED SHIPPING WT.	LIST PRICE	PAGE NUMBER
SCE-3PBX	A1	3	73.99	50
SCE-3PBXI	A1	4	73.99	52
SCE-3PBXSS	S1	5	238.40	228
SCE-3PTL	P2	5	62.09	354
SCE-3PTSMC	P2	1	13.12	354
SCE-400AFSD	P2	25	208.76	399
SCE-402516SDC	C1	147	942.59	16
SCE-402516SDCSS	S10	89	3,749.87	200
SCE-402516SDCSS6	S7	89	3,899.86	200
SCE-403716SDC	C1	167	1,071.39	16
SCE-403716SDCSS	S10	118	4,262.27	200
SCE-403716SDCSS6	S7	118	4,432.76	200
SCE-4044CHNF	A1	3	38.97	74
SCE-4044SC	A1	3	37.62	76
SCE-404CHNF	A1	3	37.68	74
SCE-404SC	A1	2	37.62	76
SCE-40EL2412LP	E3	89	428.10	78
SCE-40EL2412LPLG	E3	89	428.10	80
SCE-40P24	P3	40	86.08	382
SCE-40P24GALV	P3	40	94.69	386
SCE-41VR2412	N3	144	850.26	104
SCE-424212WFLP	A4	162	817.12	92
SCE-424216WFLP	A4	179	928.01	92
SCE-424812WFLP	A4	171	891.63	92
SCE-424816WFLP	A4	187	1,000.42	92
SCE-426012WFALP	A4	213	1,040.65	92
SCE-426016WFALP	A4	231	1,193.48	92
SCE-42EL2410LP	E3	79	457.63	78
SCE-42EL2410LPLG	E3	79	457.63	80
SCE-42EL2410SS6LP	S7	84	1,954.61	250
SCE-42EL2410SSLP	S5	84	1,628.84	248
SCE-42EL3008LP	E3	101	449.01	78
SCE-42EL3008LPLG	E3	101	449.01	80
SCE-42EL3010LP	E3	105	471.15	78
SCE-42EL3010LPLG	E3	105	471.15	80
SCE-42EL3010SS6LP	S7	105	2,140.28	250
SCE-42EL3010SSLP	S5	105	1,783.57	248
SCE-42EL3012LP	E3	111	496.98	78
SCE-42EL3012LPLG	E3	111	496.98	80
SCE-42EL3012SSLP	S5	147	1,913.57	248
SCE-42EL3016LP	E3	117	528.98	78
SCE-42EL3016LPLG	E3	117	528.98	80
SCE-42EL3608LP	E3	117	499.46	78
SCE-42EL3608LPLG	E3	117	499.46	80
SCE-42EL3610LP	E3	127	524.06	78
SCE-42EL3610LPLG	E3	127	524.06	80
SCE-42EL3612LP	E3	123	551.11	78
SCE-42EL3612LPLG	E3	123	551.11	80
SCE-42EL3612LPPL	E3	150	662.22	84
SCE-42EL3612SS6LP	S7	124	2,527.96	250
SCE-42EL3612SS6LPPL	S7	155	2,673.30	246
SCE-42EL3612SSLP	S5	124	2,106.63	248
SCE-42EL3612SSLPPL	S9	124	2,227.75	246
SCE-42EL3616LP	E3	149	605.24	78

PART NUMBER	PRICE CODE	ESTIMATED SHIPPING WT.	LIST PRICE	PAGE NUMBER
SCE-42EL3616LPLG	E3	149	605.24	80
SCE-42EL3616SS6LP	S7	149	2,684.32	250
SCE-42EL3616SSLP	S5	149	2,236.93	248
SCE-42EL4212SSWFLP	S5	147	3,824.34	258
SCE-42EL4212WFLP	A4	147	1,166.94	90
SCE-42EL4812SSWFLP	S5	148	4,248.08	258
SCE-42EL4812WFLP	A4	148	1,273.68	90
SCE-42EL6012SSWFALP	S5	158	4,460.85	258
SCE-42EL6012WFALP	A4	158	1,420.06	90
SCE-42H2408LP	A3	79	431.40	86
SCE-42H3008LP	A3	101	486.58	86
SCE-42H3010LP	A3	105	511.65	86
SCE-42H3010SS6LP	S7	102	2,251.05	256
SCE-42H3010SSLP	S3	102	1,875.88	254
SCE-42H3012LP	A3	111	539.24	86
SCE-42H3016LP	A3	120	594.42	86
SCE-42H3608LP	A3	117	541.76	86
SCE-42H3608SS6LP	S7	114	2,394.40	256
SCE-42H3608SSLP	S3	114	1,995.33	254
SCE-42H3610LP	A3	127	569.34	86
SCE-42H3612LP	A3	140	599.43	86
SCE-42H3616LP	A3	149	657.13	86
SCE-42HS3112LP	A3	118	822.67	100
SCE-42HS3112SS6LP	S7	111	2,684.32	266
SCE-42HS3112SSLP	S3	111	2,236.93	266
SCE-42HS3712LP	A3	136	915.47	100
SCE-42HS3712SS6LP	S7	132	3,016.60	266
SCE-42HS3712SSLP	S3	132	2,513.83	266
SCE-42P24	P3	31	91.14	382
SCE-42P24GALV	P3	25	100.25	386
SCE-42P30	P3	33	116.47	382
SCE-42P30GALV	P3	33	128.12	386
SCE-42P30SS	P3	33	291.16	384
SCE-42P36	P3	39	136.72	382
SCE-42P36GALV	P3	39	157.23	386
SCE-42P36SS	P3	39	341.81	384
SCE-42P42	P3	50	156.97	382
SCE-42P42GALV	P3	50	180.52	386
SCE-42P52	P3	73	209.39	382
SCE-42R3012LP	N3	114	522.38	106
SCE-42R3016LP	N3	104	549.06	106
SCE-42SA3208LPPL	A5	103	726.65	98
SCE-42SA3210LPPL	A5	108	759.57	98
SCE-42SA3212LPPL	A5	117	792.49	98
SCE-42SA3216LPPL	A5	132	849.45	98
SCE-42SA3808LPPL	A5	122	795.01	98
SCE-42SA3810LPPL	A5	127	830.47	98
SCE-42SA3812LPPL	A5	134	868.44	98
SCE-42SA3816LPPL	A5	150	917.82	98
SCE-42X2D5412	A2	248	1,530.37	144
SCE-42XEL3110LP	E3	108	642.15	94
SCE-42XEL3110LPLG	E3	108	642.15	96
SCE-42XEL3110SS6LP	S7	108	2,329.23	262
SCE-42XEL3110SSLP	S5	108	1,941.03	260
SCE-42XEL3112LP	E3	122	676.59	94
SCE-42XEL3112LPLG	E3	122	676.59	96



Phone (989) 799-6871
 Fax (989) 799-4524

1 Operator System Enclosures
 2 Wall-Mount Enclosures
 3 Free-Standing & Floor-Mounted Enclosures
 4 Modular Enclosures
 5 Operator System Enclosures (Stainless Steel)
 6 Wall-Mount Enclosures (Stainless Steel)
 7 Free-Standing & Floor-Mounted Enclosures (Stainless Steel)
 8 Non-Metallic Enclosures
 9 Accessories
 10 Technical Information
 11 Index

PART NUMBER	PRICE CODE	ESTIMATED SHIPPING WT.	LIST PRICE	PAGE NUMBER	PART NUMBER	PRICE CODE	ESTIMATED SHIPPING WT.	LIST PRICE	PAGE NUMBER
SCE-42XEL3112SS6LP	S7	117	2,459.55	262	SCE-48EL2412LP	E3	99	477.30	78
SCE-42XEL3112SSLP	S5	117	2,049.63	260	SCE-48EL2412PLG	E3	99	477.30	80
SCE-42XEL3116LP	E3	132	735.64	94	SCE-48EL3008LP	E3	125	498.72	78
SCE-42XEL3116LPLG	E3	132	735.64	96	SCE-48EL3008PLG	E3	125	498.72	80
SCE-42XEL3710LP	E3	117	699.97	94	SCE-48EL3010LP	E3	117	512.98	78
SCE-42XEL3710LPLG	E3	117	699.97	96	SCE-48EL3010PLG	E3	117	512.98	80
SCE-42XEL3712LP	E3	136	752.87	94	SCE-48EL3012LP	E3	133	541.30	78
SCE-42XEL3712LP12	0	1	0.00	94	SCE-48EL3016LP	E3	159	574.49	78
SCE-42XEL3712LP12LG	E3	117	908.37	96	SCE-48EL3016PLG	E3	159	574.49	80
SCE-42XEL3712LPLG	E3	136	752.87	96	SCE-48EL3608LP	E3	129	542.51	78
SCE-42XEL3712SS6LP	S7	127	2,671.29	262	SCE-48EL3608PLG	E3	129	542.51	80
SCE-42XEL3712SSLP	S5	127	2,226.07	260	SCE-48EL3610LP	E3	137	573.27	78
SCE-42XEL3716LP	E3	150	826.68	94	SCE-48EL3610PLG	E3	137	573.27	80
SCE-42XEL3716LPLG	E3	150	826.68	96	SCE-48EL3612LP	E3	133	600.33	78
SCE-42XEL3716SS6LP	S7	150	2,988.92	262	SCE-48EL3612PLG	E3	133	600.33	80
SCE-42XEL3716SSLP	S5	150	2,490.77	260	SCE-48EL3612LPPL	E3	173	711.44	84
SCE-44CCOL	P2	15	183.79	8	SCE-48EL3612SS6LP	S7	131	2,801.61	250
SCE-44CCOLSS	P2	15	524.13	361	SCE-48EL3612SSLP	S5	131	2,334.67	248
SCE-44PBCOL	P2	18	218.56	8	SCE-48EL3612SSLPPL	S9	131	2,458.17	246
SCE-44PBCOLSS	P2	18	624.00	361	SCE-48EL3612SSST	S8	185	3,485.65	252
SCE-462519DC	C1	140	1,383.50	16	SCE-48EL3616LP	E3	149	658.14	78
SCE-462519DCSS	S10	109	5,503.92	200	SCE-48EL3616PLG	E3	149	658.14	80
SCE-462519DCSS6	S7	109	5,724.08	200	SCE-48EL3616LPPL	E3	133	769.25	84
SCE-462519SDC	C1	172	1,298.64	16	SCE-48EL3616SS6LP	S7	153	3,054.06	250
SCE-462519SDCSS	S10	109	5,166.34	200	SCE-48EL3616SSLP	S5	153	2,545.05	248
SCE-462519SDCSS6	S7	109	5,372.98	200	SCE-48EL3616SSLPPL	S9	181	2,681.29	246
SCE-463719DC	C1	192	1,522.45	16	SCE-48EL3616SSST	S8	173	3,563.07	252
SCE-463719DCSS	S10	143	6,056.70	200	SCE-48EL3620LP	E3	173	715.97	78
SCE-463719DCSS6	S7	143	6,298.97	200	SCE-48EL3620PLG	E3	173	715.97	80
SCE-463719SDC	C1	200	1,441.43	16	SCE-48EL4812SSWFLP	S5	152	4,359.04	258
SCE-463719SDCSS	S10	143	5,734.38	200	SCE-48EL4812WFLP	A4	152	1,383.23	90
SCE-463719SDCSS6	S7	143	5,963.76	200	SCE-48H2408LP	A3	83	466.51	86
SCE-464919DC	C1	215	1,753.31	16	SCE-48H3008LP	A3	104	529.22	86
SCE-464919DCC	C1	235	2,061.51	16	SCE-48H3010LP	A3	117	556.80	86
SCE-464919DCCSS	S10	177	7,791.16	200	SCE-48H3016LP	A3	134	644.58	86
SCE-464919DCCSS6	S7	177	8,102.81	200	SCE-48H3608LP	A3	129	589.41	86
SCE-464919DCSS	S10	177	6,975.12	200	SCE-48H3608SS6LP	S7	126	2,638.72	256
SCE-464919DCSS6	S7	177	7,254.13	200	SCE-48H3608SSLP	S3	126	2,198.93	254
SCE-464919SDC	C1	225	1,667.18	16	SCE-48H3610LP	A3	137	622.02	86
SCE-464919SDCSS	S10	177	6,632.48	200	SCE-48H3610SSLP	S3	132	2,440.71	254
SCE-464919SDCSS6	S7	177	6,897.78	200	SCE-48H3612LP	A3	145	652.12	86
SCE-466019DC	C1	240	2,330.54	16	SCE-48H3612SS6LP	S7	140	2,948.19	256
SCE-466019DCC	C1	255	2,648.34	16	SCE-48H3612SSLP	S3	140	2,456.83	254
SCE-466019DCCSS	S10	207	10,009.00	200	SCE-48H3616LP	A3	153	714.82	86
SCE-466019DCCSS6	S7	207	10,409.36	200	SCE-48H3616SS6LP	S7	158	3,259.31	256
SCE-466019DCSS	S10	207	9,271.50	200	SCE-48H3616SSLP	S3	158	2,716.09	254
SCE-466019DCSS6	S7	207	9,642.36	200	SCE-48H3620LP	A3	173	777.52	86
SCE-466019SDC	C1	250	2,158.34	16	SCE-48HS3712LP	A3	153	995.72	100
SCE-466019SDCSS	S10	207	8,586.44	200	SCE-48HS3712SS6LP	S7	147	3,316.32	266
SCE-466019SDCSS6	S7	207	8,929.90	200	SCE-48HS3712SSLP	S3	147	2,763.60	266
SCE-47VR2414	N3	160	1,027.03	104	SCE-48P24	P3	36	98.74	382
SCE-47XVR2514	N3	215	1,217.47	102	SCE-48P24GALV	P3	31	108.61	386
SCE-484812WFLP	A4	223	973.60	92	SCE-48P24SS	P3	31	246.85	384
SCE-484816WFLP	A4	248	1,138.64	92	SCE-48P30	P3	45	129.13	382
SCE-48EL2408LP	E3	83	429.32	78					
SCE-48EL2408LPLG	E3	83	429.32	80					

Phone (989) 799-6871
Fax (989) 799-4524



1 Operator System Enclosures
2 Wall-Mount Enclosures
3 Free-Standing & Floor-Mounted Enclosures
4 Modular Enclosures
5 Operator System Enclosures (Stainless Steel)
6 Wall-Mount Enclosures (Stainless Steel)
7 Free-Standing & Floor-Mounted Enclosures (Stainless Steel)
8 Non-Metallic Enclosures
9 Accessories
10 Technical Information
11 Index

PART NUMBER	PRICE CODE	ESTIMATED SHIPPING WT.	LIST PRICE	PAGE NUMBER
SCE-48P30GALV	P3	45	142.04	386
SCE-48P36	P3	55	154.46	382
SCE-48P36GALV	P3	46	177.63	386
SCE-48P36SS	P3	46	386.16	384
SCE-48P37	P3	70	148.54	382
SCE-48P42	P3	56	177.24	382
SCE-48P42GALV	P3	56	203.83	386
SCE-48P48	P3	80	212.67	382
SCE-48P48GALV	P3	80	244.57	386
SCE-48P76	P3	191	351.48	382
SCE-48SA2610LPPL	A5	119	868.44	98
SCE-48SA3808LPPL	A5	131	858.30	98
SCE-48SA3810LPPL	A5	140	896.29	98
SCE-48SA3812LPPL	A5	147	936.81	98
SCE-48SA3816LPPL	A5	169	1,015.30	98
SCE-48X2D7812	A2	460	1,904.94	144
SCE-48X2D7818	A2	478	2,125.52	144
SCE-48X3D11818	A2	738	3,065.56	145
SCE-48X4D15818	A2	965	4,186.87	145
SCE-48XEL3710LP	E3	127	778.70	94
SCE-48XEL3710LPLG	E3	127	778.70	96
SCE-48XEL3710SS6LP	S7	140	2,752.73	262
SCE-48XEL3710SSLP	S5	140	2,293.94	260
SCE-48XEL3712LP	E3	152	820.53	94
SCE-48XEL3712LP12	E3	152	800.53	94
SCE-48XEL3712LP12LG	E3	152	800.53	96
SCE-48XEL3712LPLG	E3	152	820.53	96
SCE-48XEL3712SS6LP	S7	134	2,907.47	262
SCE-48XEL3712SSLP	S5	134	2,422.90	260
SCE-48XEL3712SSST	S8	206	3,788.29	264
SCE-48XEL3716LP	E3	169	889.41	94
SCE-48XEL3716LPLG	E3	169	889.41	96
SCE-48XEL3716SS6LP	S7	169	3,233.25	262
SCE-48XEL3716SSLP	S5	169	2,694.37	260
SCE-48XEL3716SSST	S8	176	3,637.40	264
SCE-4PB	A1	5	62.70	46
SCE-4PBA	A1	5	96.56	60
SCE-4PBAI	A1	5	96.56	62
SCE-4PBGX	A1	4	67.71	54
SCE-4PBI	A1	5	62.70	48
SCE-4PBSS	S1	5	207.67	228
SCE-4PBSS6	S1	4	249.20	228
SCE-4PBSS6I	S1	5	249.20	230
SCE-4PBSSI	S1	5	207.67	230
SCE-4PBX	A1	5	81.51	50
SCE-4PBXI	A1	6	81.51	52
SCE-4PBXSS	S1	6	247.05	228
SCE-4PBXSS6	S1	5	296.46	228
SCE-4PBXSS6I	S1	4	296.46	230
SCE-4PBXSSI	S1	6	247.05	230
SCE-4R44	N3	3	53.90	108
SCE-4SPB	A1	6	70.23	46
SCE-4SPBA	A1	6	107.85	60
SCE-4SPBAI	A1	7	107.85	62

PART NUMBER	PRICE CODE	ESTIMATED SHIPPING WT.	LIST PRICE	PAGE NUMBER
SCE-4SPBH	A1	10	107.08	56
SCE-4SPBHI	A1	7	107.08	58
SCE-4SPBI	A1	6	70.23	48
SCE-4SPBSS	S1	5	228.03	228
SCE-4SPBSS6	S1	6	273.64	228
SCE-4SPBSS6I	S1	3	273.64	230
SCE-4SPBSSI	S1	6	228.03	230
SCE-4SPBX	A1	5	82.76	50
SCE-4SPBXI	A1	5	82.76	52
SCE-53VXR3616	N3	221	1,652.13	104
SCE-53XVR3716	N3	235	1,852.57	102
SCE-5PB	A1	4	68.98	46
SCE-5PBI	A1	4	68.98	48
SCE-603624FS	A2	327	1,356.97	122
SCE-6044CHNF	A1	5	45.48	74
SCE-6044CHNFSS	S1	4	176.45	244
SCE-6044CHNFSS6	S7	4	211.74	244
SCE-6044SC	A1	4	47.65	76
SCE-6045CHQRFG	F1	3	160.37	310
SCE-604808LP	A2	337	1,491.36	120
SCE-604810LP	A2	360	1,539.46	120
SCE-604812LP	A2	379	1,587.57	120
SCE-604816LP	A2	407	1,681.26	120
SCE-604818FSD	A2	372	1,717.47	124
SCE-604818SSFSD	S2	372	7,417.15	280
SCE-604824LP	A2	430	1,873.69	120
SCE-604CHNF	A1	3	42.36	74
SCE-604ELJ	E1	3	41.16	64
SCE-604ELJLG	E1	3	41.16	66
SCE-604ELJSS	S6	3	135.53	236
SCE-604ELJSS6	S7	3	162.64	236
SCE-604FG	F1	3	114.93	308
SCE-604FW	F1	5	219.77	312
SCE-604SC	A1	3	42.64	76
SCE-606010LP	A2	425	1,724.30	120
SCE-606012LP	A2	436	1,777.47	120
SCE-606016LP	A2	466	1,883.81	120
SCE-606024LP	A2	525	2,096.51	120
SCE-6065CHQRFG	F1	4	166.42	310
SCE-606CHNF	A1	5	49.37	74
SCE-606CHNFSS	S1	5	220.89	244
SCE-606CHNFSS6	S7	5	241.06	244
SCE-606ELJ	E1	3	47.98	64
SCE-606ELJLG	E1	3	47.98	66
SCE-606ELJSS	S6	4	169.40	236
SCE-606ELJSS6	S7	4	203.28	236
SCE-606FG	F1	3	131.74	308
SCE-606FW	F1	3	232.73	312
SCE-606PC	F1	3	109.26	302
SCE-606PCW	F1	3	139.38	304
SCE-606SC	A1	5	50.17	76
SCE-60AFSD	P2	13	171.23	399
SCE-60BFP42	P3	58	230.41	382
SCE-60BFP42GALV	P3	58	264.97	386
SCE-60EL2412LP	E3	141	551.11	78
SCE-60EL2412LPLG	E3	141	551.11	80



Phone (989) 799-6871
 Fax (989) 799-4524

1 Operator System Enclosures
 2 Wall-Mount Enclosures
 3 Free-Standing & Floor-Mounted Enclosures
 4 Modular Enclosures
 5 Operator System Enclosures (Stainless Steel)
 6 Wall-Mount Enclosures (Stainless Steel)
 7 Free-Standing & Floor-Mounted Enclosures (Stainless Steel)
 8 Non-Metallic Enclosures
 9 Accessories
 10 Technical Information
 11 Index

PART NUMBER	PRICE CODE	ESTIMATED SHIPPING WT.	LIST PRICE	PAGE NUMBER	PART NUMBER	PRICE CODE	ESTIMATED SHIPPING WT.	LIST PRICE	PAGE NUMBER
SCE-60EL2418FS	A2	233	1,024.17	122	SCE-60H3616LP	A3	195	830.19	86
SCE-60EL2418SS6FS	S7	255	5,087.45	276	SCE-60H3620LP	A3	235	902.92	86
SCE-60EL2418SSFS	S4	240	4,239.55	276	SCE-60HS3712LP	A3	187	1,158.75	100
SCE-60EL3608LP	E3	205	649.48	78	SCE-60HS3712SS6LP	S7	179	3,918.98	266
SCE-60EL3608LPLG	E3	205	649.48	80	SCE-60HS3712SSLP	S3	179	3,265.81	266
SCE-60EL3610LP	E3	164	667.98	78	SCE-60P24	P3	50	129.13	382
SCE-60EL3610LPLG	E3	164	667.98	80	SCE-60P24F1	P3	37	173.85	136
SCE-60EL3612LP	E3	162	698.74	78	SCE-60P24F2	P3	23	116.72	136
SCE-60EL3612LPLG	E3	162	698.74	80	SCE-60P24GALV	P3	50	142.04	386
SCE-60EL3612LPPL	E3	190	809.85	84	SCE-60P24WS	C2	7	61.28	29
SCE-60EL3612SS6LP	S7	162	3,306.53	250	SCE-60P30	P3	57	159.52	382
SCE-60EL3612SS6LPPL	S7	173	3,457.58	246	SCE-60P30GALV	P3	54	183.45	386
SCE-60EL3612SSLP	S5	162	2,755.44	248	SCE-60P30SS	P3	50	398.79	384
SCE-60EL3612SSLPPL	S9	162	2,881.32	246	SCE-60P32WS	C2	11	70.41	29
SCE-60EL3616LP	E3	195	765.17	78	SCE-60P36	P3	58	189.89	382
SCE-60EL3616LPLG	E3	195	765.17	80	SCE-60P36F1	P3	57	226.00	136
SCE-60EL3616LPPL	E3	160	876.28	84	SCE-60P36F2	P3	35	141.56	136
SCE-60EL3616SS6LP	S7	195	3,567.15	250	SCE-60P36GALV	P3	58	218.37	386
SCE-60EL3616SSLP	S5	195	2,972.63	248	SCE-60P36SS	P3	58	474.74	384
SCE-60EL3616SSLPPL	S9	162	3,108.87	246	SCE-60P42	P3	80	265.85	382
SCE-60EL3616SSST	S8	180	4,162.10	252	SCE-60P48	P3	100	268.38	382
SCE-60EL3620LP	E3	209	832.83	78	SCE-60P48F1	P3	98	362.60	136
SCE-60EL3620LPLG	E3	209	832.83	80	SCE-60P48GALV	P3	100	308.64	386
SCE-60EL3624LP	E3	265	1,127.62	78	SCE-60P60	P3	123	331.68	382
SCE-60EL3624LPLG	E3	265	1,127.62	80	SCE-60P60GALV	P3	165	381.43	386
SCE-60EL3624LPPL	E3	194	1,238.73	84	SCE-60P76	P3	153	411.28	382
SCE-60EL3624SS6FS	S7	350	6,130.36	276	SCE-60PC36	P3	41	181.41	382
SCE-60EL3624SSFS	S4	345	5,108.64	276	SCE-60RA19TH	P2	14	106.80	138
SCE-60EL3624SSLP	S4	265	3,580.50	248	SCE-60RA19WS	C2	14	119.96	28
SCE-60EL3624SSLPPL	S9	195	3,716.74	246	SCE-60RA24WS	C2	14	125.17	28
SCE-60EL4812LPPL	E2	509	1,997.80	118	SCE-60RP19WS	C2	7	58.68	28
SCE-60EL4812SS6LPPL	S7	509	8,347.79	272	SCE-60RP24F5	P2	17	106.80	138
SCE-60EL4812SSLPPL	S4	509	6,956.49	272	SCE-60RP24F6	P2	6	62.09	28
SCE-60EL4812SSST	S8	519	9,739.09	274	SCE-60SA3808LPPL	A5	166	979.84	98
SCE-60EL4818FSD	A2	381	2,207.05	126	SCE-60SA3810LPPL	A5	167	1,025.41	98
SCE-60EL4818LPPL	E2	515	2,037.17	118	SCE-60SA3812LPPL	A5	182	1,071.00	98
SCE-60EL4818SS6FSD	S7	394	9,623.31	278	SCE-60SA3816LPPL	A5	198	1,159.60	98
SCE-60EL4818SS6LPPL	S7	515	8,854.36	272	SCE-60SMP14	P3	25	138.74	136
SCE-60EL4818SSFSD	S4	394	8,019.42	278	SCE-60X2D7818	A2	570	2,899.70	144
SCE-60EL4818SSLPPL	S4	515	7,378.64	272	SCE-60XEL3710LP	E3	167	907.87	94
SCE-60EL4818SSST	S8	525	10,330.10	274	SCE-60XEL3710LPLG	E3	167	907.87	96
SCE-60EL6012LPPL	E2	561	2,189.71	118	SCE-60XEL3712LP	E3	187	953.38	94
SCE-60EL6012SS6LPPL	S7	561	9,369.07	272	SCE-60XEL3712LPLG	E3	187	953.38	96
SCE-60EL6012SSLPPL	S4	561	7,807.56	272	SCE-60XEL3712SS6LP	S7	189	3,629.05	262
SCE-60EL6012SSST	S8	571	10,930.58	274	SCE-60XEL3712SSLP	S5	189	3,024.20	260
SCE-60EL6018LPPL	E2	590	2,229.09	118	SCE-60XEL3716LP	E3	198	1,040.74	94
SCE-60EL6018SS6LPPL	S7	590	9,812.11	272	SCE-60XEL3716LP12	E3	198	1,020.74	94
SCE-60EL6018SSLPPL	S4	590	8,176.75	272	SCE-60XEL3716LP12LG	E3	198	1,020.74	96
SCE-60EL6018SSST	S8	602	11,447.45	274	SCE-60XEL3716LPLG	E3	198	1,040.74	96
SCE-60FSCPS	P2	23	119.22	139	SCE-60XEL3716SS6LP	S7	198	3,971.10	262
SCE-60FSDPS	P2	18	114.24	139	SCE-60XEL3716SSLP	S5	198	3,309.25	260
SCE-60H3608LP	A3	159	687.22	86	SCE-60XEL3716SSST	S8	188	4,467.49	264
SCE-60H3610LP	A3	164	724.84	86	SCE-60XEL4912LP	A2	488	2,142.65	150
SCE-60H3612LP	A3	173	759.96	86	SCE-60XEL4912SS6LP	S7	569	9,716.01	282
SCE-60H3612SS6LP	S7	179	3,480.82	256					
SCE-60H3612SSLP	S3	179	2,900.69	254					

Phone (989) 799-6871
Fax (989) 799-4524



1 Operator System Enclosures
 2 Wall-Mount Enclosures
 3 Free-Standing & Floor-Mounted Enclosures
 4 Modular Enclosures
 5 Operator System Enclosures (Stainless Steel)
 6 Wall-Mount Enclosures (Stainless Steel)
 7 Free-Standing & Floor-Mounted Enclosures (Stainless Steel)
 8 Non-Metallic Enclosures
 9 Accessories
 10 Technical Information
 11 Index

PART NUMBER	PRICE CODE	ESTIMATED SHIPPING WT.	LIST PRICE	PAGE NUMBER
SCE-60XEL4912SSLP	S4	569	8,096.67	282
SCE-60XEL4912SSST	S8	529	10,930.50	284
SCE-60XEL4918LP	A2	525	2,333.74	150
SCE-60XEL4918SS6LP	S7	525	10,584.18	282
SCE-60XEL4918SSLP	S4	525	8,820.15	282
SCE-60XEL4918SSST	S8	535	11,907.20	284
SCE-60XEL4924LP	A2	590	2,524.84	150
SCE-60XEL6112LP	A2	571	2,395.85	150
SCE-60XEL6112SS6LP	S7	571	10,864.35	282
SCE-60XEL6112SSLP	S4	571	9,053.63	282
SCE-60XEL6112SSST	S8	584	12,222.40	284
SCE-60XEL6118LP	A2	600	2,609.64	150
SCE-60XEL6118SS6LP	S7	600	11,831.85	282
SCE-60XEL6118SSLP	S4	600	9,859.88	282
SCE-60XEL6118SSST	S8	616	13,310.84	284
SCE-60XEL6124LP	A2	650	2,823.42	150
SCE-642424SSWS	S3	295	6,379.61	204
SCE-642424WS	C2	285	2,316.68	20
SCE-642432SSWS	S3	300	6,583.22	204
SCE-642432WS	C2	290	2,455.94	20
SCE-64P25	P3	50	159.52	382
SCE-64P25GALV	P3	50	183.45	386
SCE-64P31	P3	53	167.11	382
SCE-64P31GALV	P3	55	192.18	386
SCE-64P37	P3	61	182.30	382
SCE-64P37GALV	P3	62	209.65	386
SCE-64P52	P3	111	334.21	382
SCE-64P52GALV	P3	111	384.34	386
SCE-64P64	P3	130	362.06	382
SCE-64P64GALV	P3	135	452.58	386
SCE-64P76	P3	140	425.36	382
SCE-64P76GALV	P3	164	531.70	386
SCE-65VR3616	N3	244	1,868.78	104
SCE-65XVR3716	N3	278	2,073.52	102
SCE-66CCOL	P2	21	275.68	8
SCE-66CCOLSS	P2	20	554.52	361
SCE-66PBCOL	P2	24	327.83	8
SCE-66PBCOLSS	P2	25	654.00	361
SCE-66ST2626SSWS	S3	246	7,354.91	208
SCE-66ST2626WS	C2	245	2,330.53	24
SCE-6N604LP	N1	4	30.27	110
SCE-6N6MP	N1	1	2.82	389
SCE-6N6MPP	N1	1	7.36	390
SCE-6P4	P3	1	3.01	382
SCE-6P4AL	F2	1	15.35	388
SCE-6P4GALV	P3	1	2.89	386
SCE-6P4J	P3	1	3.02	391
SCE-6P4JGALV	P3	1	2.90	391
SCE-6P4SS	P3	1	7.54	384
SCE-6P6	P3	1	3.61	382
SCE-6P6AL	F2	1	15.58	388
SCE-6P6GALV	P3	1	3.47	386
SCE-6P6J	P3	1	3.62	391
SCE-6P6JGALV	P3	1	3.48	391

PART NUMBER	PRICE CODE	ESTIMATED SHIPPING WT.	LIST PRICE	PAGE NUMBER
SCE-6P6SS	P3	1	9.01	384
SCE-6PB	A1	8	80.26	46
SCE-6PBA	A1	6	125.41	60
SCE-6PBAI	A1	8	125.41	62
SCE-6PBGX	A1	6	86.52	54
SCE-6PBH	A1	12	122.63	56
SCE-6PBHI	A1	11	122.63	58
SCE-6PBI	A1	5	80.26	48
SCE-6PBSS	S1	5	272.84	228
SCE-6PBSS6	S1	5	327.41	228
SCE-6PBSS6I	S1	5	327.41	230
SCE-6PBSSI	S1	5	272.84	230
SCE-6PBVL	A1	5	75.24	46
SCE-6PBVLI	A1	5	75.24	48
SCE-6PBX	A1	8	95.31	50
SCE-6PBXI	A1	8	95.31	52
SCE-6R64	N3	4	56.94	108
SCE-6R66	N3	5	59.27	108
SCE-7230SOF19	P2	63	389.92	137
SCE-723618FS	A2	324	1,372.44	122
SCE-723624FS	A2	363	1,514.33	122
SCE-723624FSDA	A2	389	1,772.40	128
SCE-723630FS	A2	423	1,658.80	122
SCE-723636FS	A2	468	1,800.69	122
SCE-723636FSDA	A2	478	2,104.44	128
SCE-7236SOF19	P2	73	419.73	137
SCE-724818FSD	A2	450	1,891.84	124
SCE-724818SSFSD	S2	450	8,170.24	280
SCE-724824FSD	A2	494	2,049.50	124
SCE-724824FSDAD	A2	479	2,551.13	130
SCE-724824SSFSD	S2	494	8,851.10	280
SCE-726010ULP	A2	540	1,972.44	120
SCE-726012ULP	A2	490	2,033.21	120
SCE-726016ULP	A2	520	2,152.21	120
SCE-726018FSD	A2	517	2,128.33	124
SCE-726018SSFSD	S2	517	9,191.54	280
SCE-726024FSD	A2	573	2,302.70	124
SCE-726024FSDAD	A2	545	2,866.42	130
SCE-726024SSFSD	S2	573	9,944.57	280
SCE-726024ULP	A2	545	2,395.28	120
SCE-726036FSD	A2	700	2,649.05	124
SCE-726036FSDAD	A2	674	3,298.78	130
SCE-726036SSFSD	S2	698	11,440.38	280
SCE-727210ULP	A2	547	2,197.78	120
SCE-727212ULP	A2	557	2,263.61	120
SCE-727216ULP	A2	570	2,395.28	120
SCE-727218FSD	A2	599	2,364.80	124
SCE-727218SSFSD	S2	599	10,212.82	280
SCE-727224FSD	A2	663	2,555.90	124
SCE-727224FSDAD	A2	628	3,181.73	130
SCE-727224SSFSD	S2	663	11,038.08	280
SCE-727224ULP	A2	594	2,658.62	120
SCE-72EL2418FS	A2	285	1,135.10	122
SCE-72EL2418SS6FS	S7	290	5,403.27	276
SCE-72EL2418SSFS	S4	290	4,502.73	276
SCE-72EL2424FS	A2	305	1,261.50	122



Phone (989) 799-6871
Fax (989) 799-4524

Your Enclosure Source®

1 Operator System Enclosures
 2 Wall-Mount Enclosures
 3 Free-Standing & Floor-Mounted Enclosures
 4 Modular Enclosures
 5 Operator System Enclosures (Stainless Steel)
 6 Wall-Mount Enclosures (Stainless Steel)
 7 Free-Standing & Floor-Mounted Enclosures (Stainless Steel)
 8 Non-Metallic Enclosures
 9 Accessories
 10 Technical Information
 11 Index

PART NUMBER	PRICE CODE	ESTIMATED SHIPPING WT.	LIST PRICE	PAGE NUMBER	PART NUMBER	PRICE CODE	ESTIMATED SHIPPING WT.	LIST PRICE	PAGE NUMBER
SCE-72EL2424FSDA	A2	318	1,476.21	128	SCE-72EL6018SSLPL	S4	670	9,094.34	272
SCE-72EL2424SS6FS	S7	328	5,819.73	276	SCE-72EL6018SSST	S8	682	12,732.08	274
SCE-72EL2424SSFS	S4	328	4,849.77	276	SCE-72EL6024FSD	A2	595	2,854.78	126
SCE-72EL2430FSDA	A2	360	1,623.11	128	SCE-72EL6024SS6FSD	S7	595	12,738.03	278
SCE-72EL2436FSDA	A2	401	1,772.40	128	SCE-72EL6024SSFSD	S4	595	10,615.02	278
SCE-72EL3012LP	E3	217	749.18	78	SCE-72EL6036FSD	A2	730	3,201.13	126
SCE-72EL3012PLG	E3	217	749.18	80	SCE-72EL6036SS6FSD	S7	730	14,533.00	278
SCE-72EL3016LP	E3	236	856.21	78	SCE-72EL6036SSFSD	S4	730	12,110.83	278
SCE-72EL3016PLG	E3	236	856.21	80	SCE-72EL7212LPPL	E2	720	2,743.30	118
SCE-72EL3016SS6LP	S7	236	3,827.77	250	SCE-72EL7212SS6LPPL	S7	720	11,538.68	272
SCE-72EL3016SSLP	S5	236	3,189.81	248	SCE-72EL7212SSLPL	S4	720	9,615.57	272
SCE-72EL3018FS	A2	320	1,251.20	122	SCE-72EL7212SSST	S8	740	13,461.80	274
SCE-72EL3018SS6FS	S7	330	5,800.09	276	SCE-72EL7218FSD	A2	631	2,937.72	126
SCE-72EL3018SSFS	S4	320	4,833.41	276	SCE-72EL7218LPPL	E2	763	2,817.10	118
SCE-72EL3024FS	A2	355	1,387.93	122	SCE-72EL7218SS6FSD	S7	630	13,087.20	278
SCE-72EL3024FSDA	A2	362	1,624.31	128	SCE-72EL7218SS6LPPL	S7	763	12,401.96	272
SCE-72EL3024LP	E3	242	941.08	78	SCE-72EL7218SSFSD	S4	643	10,906.00	278
SCE-72EL3024PLG	E3	242	941.08	80	SCE-72EL7218SSLPL	S4	763	10,334.97	272
SCE-72EL3024SS6FS	S7	360	6,440.73	276	SCE-72EL7218SSST	S8	783	14,468.96	274
SCE-72EL3024SSFS	S4	360	5,367.27	276	SCE-72EL7224FSD	A2	710	3,128.82	126
SCE-72EL3612LP	E3	222	799.62	78	SCE-72EL7224LPPL	E2	884	3,186.15	118
SCE-72EL3612PLG	E3	222	799.62	80	SCE-72EL7224SS6FSD	S7	695	14,077.51	278
SCE-72EL3612SS6LP	S7	222	3,933.64	250	SCE-72EL7224SS6LPPL	S7	884	12,842.40	272
SCE-72EL3612SSLP	S5	257	3,278.03	248	SCE-72EL7224SSFSD	S4	680	11,731.26	278
SCE-72EL3616LP	E3	234	910.33	78	SCE-72EL7224SSLPL	S4	884	10,702.00	272
SCE-72EL3616PLG	E3	234	910.33	80	SCE-72EL7224SSST	S8	904	14,982.80	274
SCE-72EL3616SS6LP	S7	234	4,153.63	250	SCE-72FP	P3	30	78.49	169
SCE-72EL3616SSLP	S5	234	3,461.27	248	SCE-72FSCPS	P2	25	131.63	139
SCE-72EL3618SS6FS	S7	354	6,415.09	276	SCE-72FSCS	P2	23	131.63	139
SCE-72EL3618SSFS	S4	354	5,345.91	276	SCE-72FSHDP	P2	23	124.18	139
SCE-72EL3624FS	E2	363	1,559.76	122	SCE-72H3012LP	A3	205	812.62	86
SCE-72EL3624LP	E2	305	1,293.50	78	SCE-72H3016LP	A3	202	929.27	86
SCE-72EL3624PLG	E3	305	1,239.50	80	SCE-72H3024LP	A3	247	1,020.81	86
SCE-72EL3624LPPL	E3	225	1,404.61	84	SCE-72H3612LP	A3	222	867.81	86
SCE-72EL3624SS6FS	S7	390	7,177.64	276	SCE-72H3616LP	A3	236	985.70	86
SCE-72EL3624SSFS	S4	390	5,981.36	276	SCE-72P24F1	P3	46	196.20	136
SCE-72EL3624SSLPL	S9	267	4,517.69	246	SCE-72P24F2	P3	23	126.66	136
SCE-72EL3630SS6FS	S7	455	7,940.18	276	SCE-72P30	P3	71	210.15	382
SCE-72EL3630SSFS	S4	445	6,616.82	276	SCE-72P30F1	P3	59	228.49	136
SCE-72EL3636SS6FS	S7	500	8,702.73	276	SCE-72P30F1GALV	P3	83	260.11	136
SCE-72EL3636SSFS	S4	489	7,252.27	276	SCE-72P30F2	P3	30	141.56	136
SCE-72EL4818FSD	A2	478	2,443.05	126	SCE-72P30GALV	P3	71	241.67	386
SCE-72EL4818SS6FSD	S7	540	10,608.83	278	SCE-72P36	P3	74	225.33	382
SCE-72EL4818SSFSD	S4	540	8,840.69	278	SCE-72P36F1	P3	67	258.29	136
SCE-72EL4824FSD	A2	573	2,601.58	126	SCE-72P36F1GALV	P3	130	303.77	136
SCE-72EL4824SS6FSD	S7	523	11,425.87	278	SCE-72P36F2	P3	40	158.95	136
SCE-72EL4824SSFSD	S4	519	9,521.55	278	SCE-72P36GALV	P3	74	259.13	386
SCE-72EL6012LPPL	E2	639	2,448.04	118	SCE-72P48	P3	154	348.54	382
SCE-72EL6012SS6LPPL	S7	639	10,685.17	272	SCE-72P48F1	P3	121	409.79	136
SCE-72EL6012SSLPL	S4	639	8,904.31	272	SCE-72P48F2	P3	73	260.78	136
SCE-72EL6012SSST	S8	649	12,466.03	274	SCE-72P60	P3	149	394.98	382
SCE-72EL6018FSD	A2	535	2,680.41	126	SCE-72P60F1	P3	154	474.36	136
SCE-72EL6018LPPL	E2	670	2,478.80	118	SCE-72P60F1GALV	P3	177	532.07	136
SCE-72EL6018SS6FSD	S7	550	11,834.39	278	SCE-72P60F2	P3	87	295.55	136
SCE-72EL6018SS6LPPL	S7	670	10,913.21	272					
SCE-72EL6018SSFSD	S4	550	9,861.99	278					

Phone (989) 799-6871
Fax (989) 799-4524



1 Operator System Enclosures
2 Wall-Mount Enclosures
3 Free-Standing & Floor-Mounted Enclosures
4 Modular Enclosures
5 Operator System Enclosures (Stainless Steel)
6 Wall-Mount Enclosures (Stainless Steel)
7 Free-Standing & Floor-Mounted Enclosures (Stainless Steel)
8 Non-Metallic Enclosures
9 Accessories
10 Technical Information
11 Index

PART NUMBER	PRICE CODE	ESTIMATED SHIPPING WT.	LIST PRICE	PAGE NUMBER	PART NUMBER	PRICE CODE	ESTIMATED SHIPPING WT.	LIST PRICE	PAGE NUMBER
SCE-72P60GALV	P3	153	454.23	386	SCE-72XEL6118SSST	S8	702	14,707.18	284
SCE-72P72	P3	181	470.93	382	SCE-72XEL7312LP	A2	730	3,036.06	150
SCE-72P72F1	P3	180	541.42	136	SCE-72XEL7312SS6LP	S7	730	13,366.23	282
SCE-72P72F1GALV	P3	162	612.37	136	SCE-72XEL7312SSLP	S4	730	11,138.52	282
SCE-72P72F2	P3	103	327.83	136	SCE-72XEL7312SSST	S8	770	15,037.00	284
SCE-72P72GALV	P3	203	588.66	386	SCE-72XEL7318LP	A2	773	3,298.10	150
SCE-72RA19TH	P2	17	114.24	138	SCE-72XEL7318SS6LP	S7	773	13,849.87	282
SCE-72RA24TH	P2	20	114.24	138	SCE-72XEL7318SSLP	S4	773	11,571.56	282
SCE-72RP24F5	P2	20	124.18	138	SCE-72XEL7318SSST	S8	812	15,621.61	284
SCE-72RP24F6	P2	11	76.99	138	SCE-72XEL7324LP	A2	773	3,561.36	150
SCE-72RP30F5	P2	24	124.18	138	SCE-72XEL7324SS6LP	S7	894	14,519.44	282
SCE-72RP30F6	P2	13	76.99	138	SCE-72XEL7324SSLP	S4	894	12,099.53	282
SCE-72SMP14	P3	30	155.72	136	SCE-72XEL7324SSST	S8	1039	16,334.37	284
SCE-72SMP20	P3	41	192.53	136	SCE-72XM2818	A2	390	1,565.79	152
SCE-72SP24F3	P2	73	392.41	137	SCE-72XM2818G	A2	395	1,592.07	152
SCE-72SP24F4	P3	41	279.03	137	SCE-72XM2818SS	S2	345	5,635.10	286
SCE-72SP30F3	P2	87	454.50	137	SCE-72XM3418	A2	430	1,735.38	152
SCE-72SP30F4	P2	46	300.51	137	SCE-72XM3418G	A2	430	1,763.93	152
SCE-72SP36F3	P2	99	516.59	137	SCE-72XM3418SS	S2	385	6,245.44	286
SCE-72SP36F4	P2	51	335.28	137	SCE-72XM3EQ18	A2	1135	4,363.92	154
SCE-72X7312LP	A2	730	2,947.64	150	SCE-72XM3EQ18G	A2	1138	4,498.58	154
SCE-72X7318LP	A2	773	3,202.04	150	SCE-72XM3EQ18SS	S2	1020	14,816.33	288
SCE-72X7324LP	A2	894	3,457.63	150	SCE-72XM3EW18	A2	1320	4,912.10	154
SCE-72XD2818	A2	460	2,697.79	160	SCE-72XM3EW18G	A2	1320	5,067.85	154
SCE-72XD2818G	A2	475	2,697.79	160	SCE-72XM3EW18SS	S2	1150	16,677.48	288
SCE-72XD2818SS	S2	420	8,195.10	294	SCE-72XM4018	A2	500	1,904.98	152
SCE-72XD3418	A2	510	2,867.38	160	SCE-72XM4018G	A2	500	1,935.02	152
SCE-72XD3418G	A2	510	2,894.92	160	SCE-72XM4018SS	S2	440	6,855.82	286
SCE-72XD3418SS	S2	460	8,805.44	294	SCE-72XM5418	A2	665	2,748.19	153
SCE-72XD3EQ18	A2	1210	5,563.84	161	SCE-72XM5418G	A2	665	2,792.29	153
SCE-72XD3EQ18G	A2	1210	5,698.50	161	SCE-72XM5418SS	S2	600	9,890.44	287
SCE-72XD3EQ18SS	S2	1090	17,376.33	294	SCE-72XM6618	A2	790	3,096.93	153
SCE-72XD3EW18	A2	1400	6,112.02	161	SCE-72XM6618G	A2	790	3,220.91	153
SCE-72XD3EW18G	A2	1400	6,267.77	161	SCE-72XM6618SS	S2	715	11,145.52	287
SCE-72XD3EW18SS	S2	1260	19,237.48	294	SCE-72XM7818	A2	905	3,444.49	153
SCE-72XD4018	A2	575	3,036.98	160	SCE-72XM7818G	A2	905	3,561.16	153
SCE-72XD4018G	A2	575	3,036.98	160	SCE-72XM7818SS	S2	770	12,396.34	287
SCE-72XD4018SS	S2	520	9,415.82	294	SCE-72XM7824	A2	940	3,691.72	153
SCE-72XD5418	A2	740	3,880.19	160	SCE-72XM7824G	A2	940	3,808.59	153
SCE-72XD5418G	A2	740	3,880.19	160	SCE-72XM7824SS	S2	845	13,286.12	287
SCE-72XD5418SS	S2	650	12,450.44	294	SCE-76P37	P3	93	250.65	382
SCE-72XD6618	A2	865	4,228.93	160	SCE-76P37GALV	P3	93	288.25	386
SCE-72XD6618G	A2	870	4,352.91	160	SCE-76P76	P3	194	498.78	382
SCE-72XD6618SS	S2	780	13,705.52	294	SCE-76P76GALV	P3	223	623.48	386
SCE-72XD7818	A2	960	4,576.49	160	SCE-8064CHNFSS	S1	6	229.90	244
SCE-72XD7818G	A2	960	4,693.16	160	SCE-8064CHNFSS6	S7	6	263.88	244
SCE-72XD7818SS	S2	865	14,956.34	294	SCE-8065CHQRFG	F1	4	168.57	310
SCE-72XEL6112LP	A2	649	2,653.84	150	SCE-8066CHNF	A1	7	62.66	74
SCE-72XEL6112SS6LP	S7	281	12,033.85	282	SCE-8066ELJ	E1	5	61.48	64
SCE-72XEL6112SSLP	S4	649	10,028.21	282	SCE-8066ELJLG	E1	5	61.48	66
SCE-72XEL6112SSST	S8	664	13,538.08	284	SCE-8066ELJSS	S6	5	202.17	236
SCE-72XEL6118LP	A2	680	2,883.15	150	SCE-8066ELJSS6	S7	5	242.60	236
SCE-72XEL6118SS6LP	S7	680	13,073.05	282	SCE-8066SC	A1	6	60.19	76
SCE-72XEL6118SSLP	S4	680	10,894.21	282	SCE-806CHNF	A1	6	53.27	74
					SCE-806ELJ	E1	4	51.88	64
					SCE-806ELJLG	E1	4	51.88	66



Phone (989) 799-6871
Fax (989) 799-4524

1 Operator System Enclosures
 2 Wall-Mount Enclosures
 3 Free-Standing & Floor-Mounted Enclosures
 4 Modular Enclosures
 5 Operator System Enclosures (Stainless Steel)
 6 Wall-Mount Enclosures (Stainless Steel)
 7 Free-Standing & Floor-Mounted Enclosures (Stainless Steel)
 8 Non-Metallic Enclosures
 9 Accessories
 10 Technical Information
 11 Index

PART NUMBER	PRICE CODE	ESTIMATED SHIPPING WT.	LIST PRICE	PAGE NUMBER	PART NUMBER	PRICE CODE	ESTIMATED SHIPPING WT.	LIST PRICE	PAGE NUMBER
SCE-806ELJSS	S6	4	176.82	236	SCE-84XM6EW24G	A2	3000	11,974.53	155
SCE-806ELJSS6	S7	5	212.18	236	SCE-84XM6EW24SS	S2	2700	40,104.23	289
SCE-806FG	F1	4	136.10	308	SCE-84XM7818	A2	1000	3,823.10	153
SCE-806FW	F1	4	241.49	312	SCE-84XM7818G	A2	1000	3,934.93	153
SCE-806PC	F1	3	115.95	302	SCE-84XM7818SS	S2	900	13,758.93	287
SCE-806PCW	F1	3	144.63	304	SCE-84XM7824	A2	1060	3,870.87	153
SCE-806SC	A1	6	52.68	76	SCE-84XM7824G	A2	1060	4,007.90	153
SCE-8086CHNF	A1	9	68.69	74	SCE-84XM7824SS	S2	945	13,930.86	287
SCE-8086ELJ	E1	11	68.18	64	SCE-86M3E	A2	1510	5,160.24	140
SCE-8086ELJLG	E1	11	68.18	66	SCE-86M3E20	A2	1590	5,701.76	140
SCE-808CHNF	A1	7	59.78	74	SCE-86M4E	A2	1958	6,599.08	140
SCE-808CHQRFG	F1	4	176.21	310	SCE-86M4E20	A2	2059	7,523.88	140
SCE-808ELJ	E1	8	63.72	64	SCE-86M5E	A2	2475	8,416.60	140
SCE-808ELJLG	E1	8	63.72	66	SCE-86M5E20	A2	2590	9,294.37	140
SCE-808FG	F1	4	149.83	308	SCE-8C12ELJ	A1	10	112.87	8
SCE-808FW	F1	4	252.62	312	SCE-8C12ELJSS	S1	11	627.16	198
SCE-808SC	A1	7	60.19	76	SCE-8C16ELJ	A1	15	125.41	8
SCE-82P37	P3	105	278.51	382	SCE-8C16ELJSS	S1	10	708.62	198
SCE-82P37GALV	P3	105	320.29	386	SCE-8C20ELJ	A1	15	135.44	8
SCE-82P76	P3	210	501.32	382	SCE-8C20ELJSS	S1	12	787.24	198
SCE-82P76GALV	P3	236	626.65	386	SCE-8C8ELJ	A1	8	102.84	8
SCE-84FP	P3	35	88.62	169	SCE-8C8ELJSS	S1	6	586.80	198
SCE-84XD3EW18	A2	1500	6,676.66	161	SCE-8N604LP	N1	5	33.04	110
SCE-84XD3EW18G	A2	1500	6,865.73	161	SCE-8N6MP	N1	1	3.26	389
SCE-84XD3EW18SS	S2	1350	21,154.54	294	SCE-8N6MPP	N1	1	8.71	390
SCE-84XD4018	A2	650	3,249.56	160	SCE-8N804LP	N1	6	36.68	110
SCE-84XD4018G	A2	650	3,249.56	160	SCE-8N806LP	N1	7	41.28	110
SCE-84XD4018SS	S2	595	10,180.90	294	SCE-8N8MP	N1	1	3.82	389
SCE-84XD7818	A2	1100	4,955.10	160	SCE-8N8MPP	N1	1	9.83	390
SCE-84XD7818G	A2	1100	5,066.93	160	SCE-8P12C	P3	2	8.39	388
SCE-84XD7818SS	S2	990	16,318.93	294	SCE-8P16C	P3	2	11.50	388
SCE-84XM3EW18	A2	1450	5,476.74	154	SCE-8P20C	P3	3	14.63	388
SCE-84XM3EW18G	A2	1442	5,665.82	154	SCE-8P6	P3	1	4.17	382
SCE-84XM3EW18SS	S2	1280	18,594.54	288	SCE-8P6AL	F2	1	18.82	388
SCE-84XM3EW24	A2	1550	5,541.31	154	SCE-8P6GALV	P3	1	4.00	386
SCE-84XM3EW24G	A2	1550	5,730.36	154	SCE-8P6J	P3	1	4.17	391
SCE-84XM3EW24SS	S2	1390	18,813.76	288	SCE-8P6JGALV	P3	1	4.00	391
SCE-84XM4018	A2	560	2,117.56	152	SCE-8P6SS	P3	1	10.43	384
SCE-84XM4018G	A2	560	2,158.87	152	SCE-8P8	P3	1	4.89	382
SCE-84XM4018SS	S2	500	7,620.90	286	SCE-8P8AL	F2	1	23.62	388
SCE-84XM4024	A2	618	2,177.29	152	SCE-8P8C	P3	1	5.27	388
SCE-84XM4024G	A2	617	2,218.61	152	SCE-8P8GALV	P3	1	4.69	386
SCE-84XM4024SS	S2	540	7,835.81	286	SCE-8P8J	P3	3	4.89	391
SCE-84XM4EW18	A2	1850	7,541.85	155	SCE-8PB	A1	7	90.29	46
SCE-84XM4EW18G	A2	1850	7,837.86	155	SCE-8PBA	A1	9	141.70	60
SCE-84XM4EW18SS	S2	1650	25,852.40	289	SCE-8PBAI	A1	9	141.70	62
SCE-84XM4EW24	A2	2050	7,622.34	155	SCE-8PBI	A1	8	90.29	48
SCE-84XM4EW24G	A2	2050	7,918.37	155	SCE-8R64	N3	4	64.61	108
SCE-84XM4EW24SS	S2	1861	27,014.22	289	SCE-8R66	N3	6	70.97	108
SCE-84XM5EW18	A2	2465	9,174.91	155	SCE-8STS	C2	7	53.03	27
SCE-84XM5EW18G	A2	2461	9,521.77	155	SCE-8VESTS	C2	7	60.33	27
SCE-84XM5EW18SS	S2	2200	32,254.81	289	SCE-903620FS	A2	400	1,640.75	122
SCE-84XM5EW24	A2	2500	9,455.00	155	SCE-903624FS	A2	436	1,754.25	122
SCE-84XM5EW24G	A2	2500	9,801.96	155	SCE-903624FSDA	A2	456	2,049.50	128
SCE-84XM5EW24SS	S2	2300	33,634.14	289					
SCE-84XM6EW24	A2	3000	11,522.27	155					

Phone (989) 799-6871
Fax (989) 799-4524



1 Operator System Enclosures
2 Wall-Mount Enclosures
3 Free-Standing & Floor-Mounted Enclosures
4 Modular Enclosures
5 Operator System Enclosures (Stainless Steel)
6 Wall-Mount Enclosures (Stainless Steel)
7 Free-Standing & Floor-Mounted Enclosures (Stainless Steel)
8 Non-Metallic Enclosures
9 Accessories
10 Technical Information
11 Index

PART NUMBER	PRICE CODE	ESTIMATED SHIPPING WT.	LIST PRICE	PAGE NUMBER
SCE-903636FS	A2	559	2,087.04	122
SCE-903636FSDA	A2	563	2,438.85	128
SCE-9036SOF19	P2	84	442.08	137
SCE-904820FSD	A2	549	2,214.31	124
SCE-904820SSFS	S2	549	9,562.88	280
SCE-904824FSD	A2	701	2,302.81	124
SCE-907220FSD	A2	733	2,792.37	124
SCE-907220SSFS	S2	732	12,059.34	280
SCE-907224FSD	A2	773	2,933.31	124
SCE-907224FSDAD	A2	743	3,653.50	130
SCE-907224SSFS	S2	772	12,668.02	280
SCE-907236FSD	A2	940	3,360.88	124
SCE-907236SSFS	S2	937	14,514.55	280
SCE-90EL2420FS	A2	330	1,351.80	122
SCE-90EL2420SS6FS	S7	330	6,390.00	276
SCE-90EL2420SSFS	S4	330	5,325.00	276
SCE-90EL3620SS6FS	S7	455	7,941.82	276
SCE-90EL3620SSFS	S4	455	6,618.18	276
SCE-90EL3624SS6FS	S7	470	8,625.82	276
SCE-90EL3624SSFS	S4	470	7,188.18	276
SCE-90EL3636SS6FS	S7	595	10,064.18	276
SCE-90EL3636SSFS	S4	575	8,386.82	276
SCE-90EL4820FSD	A2	560	2,828.89	126
SCE-90EL4820SS6FSD	S7	550	12,385.82	278
SCE-90EL4820SSFS	S4	550	10,321.52	278
SCE-90EL7220FSD	A2	770	3,427.79	126
SCE-90EL7220SS6FSD	S7	750	15,384.84	278
SCE-90EL7220SSFS	S4	750	12,820.70	278
SCE-90EL7224FSD	A2	815	3,568.73	126
SCE-90EL7224SS6FSD	S7	782	16,115.26	278
SCE-90EL7224SSFS	S4	792	13,429.38	278
SCE-90EL7236FSD	A2	955	3,996.30	126
SCE-90EL7236SS6FSD	S7	950	18,331.10	278
SCE-90EL7236SSFS	S4	950	15,275.91	278
SCE-90FP	P3	38	96.21	169
SCE-90FSCPS	P2	29	156.47	139
SCE-90FSCS	P2	29	156.47	139
SCE-90FSDPS	P2	29	136.60	139
SCE-90P24F1	P3	59	228.49	136
SCE-90P24F2	P3	33	141.56	136
SCE-90P36F1	P3	89	310.45	136
SCE-90P36F2	P3	46	183.79	136
SCE-90P48F1	P3	145	481.82	136
SCE-90P48F2	P3	75	298.03	136
SCE-90P72F1	P3	230	650.69	136
SCE-90P72F1GALV	P3	263	790.56	136
SCE-90P72F2	P3	131	384.95	136
SCE-90RA19TH	P2	24	124.18	138
SCE-90RP24F5	P2	27	166.40	138
SCE-90RP24F6	P2	14	94.38	138
SCE-90SMP14	P3	37	226.51	136
SCE-90SMP20	P3	58	235.00	136
SCE-90SMP30	P3	69	254.81	136
SCE-90SP36F3	P2	123	613.44	137

PART NUMBER	PRICE CODE	ESTIMATED SHIPPING WT.	LIST PRICE	PAGE NUMBER
SCE-90SP36F4	P2	68	387.44	137
SCE-90XD4018	A2	670	3,400.06	160
SCE-90XD4018G	A2	670	3,400.06	160
SCE-90XD4018SS	S2	600	10,722.50	294
SCE-90XD7818	A2	1155	5,214.27	160
SCE-90XD7818G	A2	1175	5,352.65	160
SCE-90XD7818SS	S2	1040	17,251.64	294
SCE-90XM3EW24	A2	1625	6,111.01	154
SCE-90XM3EW24G	A2	1625	6,305.68	154
SCE-90XM3EW24SS	S2	1450	20,748.01	288
SCE-90XM4018	A2	575	2,268.06	152
SCE-90XM4018G	A2	575	2,268.06	152
SCE-90XM4018SS	S2	515	8,162.50	286
SCE-90XM4020SS	S2	550	8,450.48	286
SCE-90XM4024	A2	635	2,428.09	152
SCE-90XM4024G	A2	635	2,474.01	152
SCE-90XM4024SS	S2	585	8,738.46	286
SCE-90XM4EW18	A2	2000	7,834.29	155
SCE-90XM4EW18G	A2	2000	8,131.80	155
SCE-90XM4EW18SS	S2	1800	26,944.43	289
SCE-90XM4EW24	A2	2050	8,022.10	155
SCE-90XM4EW24G	A2	2050	8,319.62	155
SCE-90XM4EW24SS	S2	1925	27,982.42	289
SCE-90XM5EW18	A2	2600	9,584.80	155
SCE-90XM5EW18G	A2	2600	9,983.32	155
SCE-90XM5EW18SS	S2	2340	33,542.74	289
SCE-90XM5EW24	A2	2700	9,905.90	155
SCE-90XM5EW24G	A2	2700	10,259.43	155
SCE-90XM5EW24SS	S2	2400	34,842.54	289
SCE-90XM6EW24	A2	3100	11,945.82	155
SCE-90XM6EW24G	A2	3100	12,400.37	155
SCE-90XM6EW24SS	S2	2790	41,652.77	289
SCE-90XM7818	A2	1050	4,082.27	153
SCE-90XM7818G	A2	1050	4,220.65	153
SCE-90XM7818SS	S2	945	14,691.64	287
SCE-90XM7824	A2	1100	4,284.12	153
SCE-90XM7824G	A2	1100	4,421.86	153
SCE-90XM7824SS	S2	1025	15,418.09	287
SCE-924B	C1	114	1,210.24	10
SCE-936B	C1	153	1,486.22	10
SCE-9P12L	P3	3	18.86	391
SCE-9P18L	P3	3	26.63	391
SCE-9P24L	P3	4	29.14	391
SCE-9P30L	P3	4	31.92	391
SCE-9P36L	P3	6	34.97	391
SCE-9PB	A1	8	92.80	46
SCE-9PBA	A1	10	147.97	60
SCE-9PBAI	A1	10	147.97	62
SCE-9PBGX	A1	5	95.31	54
SCE-9PBH	A1	13	142.99	56
SCE-9PBHI	A1	10	142.99	58
SCE-9PBHSS	S1	10	287.73	232
SCE-9PBHSS6	S1	10	345.28	232
SCE-9PBHSS6I	S1	10	345.28	234
SCE-9PBHSSI	S1	10	287.73	234
SCE-9PBI	A1	8	92.80	48



Phone (989) 799-6871
Fax (989) 799-4524

1 Operator System Enclosures
 2 Wall-Mount Enclosures
 3 Free-Standing & Floor-Mounted Enclosures
 4 Modular Enclosures
 5 Operator System Enclosures (Stainless Steel)
 6 Wall-Mount Enclosures (Stainless Steel)
 7 Free-Standing & Floor-Mounted Enclosures (Stainless Steel)
 8 Non-Metallic Enclosures
 9 Accessories
 10 Technical Information
 11 Index

PART NUMBER	PRICE CODE	ESTIMATED SHIPPING WT.	LIST PRICE	PAGE NUMBER	PART NUMBER	PRICE CODE	ESTIMATED SHIPPING WT.	LIST PRICE	PAGE NUMBER
SCE-9PBSS	S1	8	308.12	228	SCE-AC5100B120VSS6	P1	113	6,563.53	326
SCE-9PBSS6	S1	8	369.74	228	SCE-AC5100B230V	P1	109	3,690.63	326
SCE-9PBSS6I	S1	8	369.74	230	SCE-AC5100B230VSS	P1	109	5,278.13	326
SCE-9PBSSI	S1	8	308.12	230	SCE-AC5100B230VSS6	P1	109	6,311.93	326
SCE-9PBX	A1	9	107.85	50	SCE-AC5100B460V	P1	113	4,118.75	326
SCE-9PBXI	A1	8	107.85	52	SCE-AC5100B460VSS	P1	113	5,718.75	326
SCE-ABDCP	P2	1	42.22	365	SCE-AC5100B460VSS6	P1	113	6,789.99	326
SCE-AC1000B120V	P1	35	2,551.50	320	SCE-AC51BF1	P2	3	42.00	406
SCE-AC1000B120VSS	P1	35	3,746.25	320	SCE-AC6800B120V	P1	113	4,781.25	326
SCE-AC1000B120VSS6	P1	35	4,188.54	320	SCE-AC6800B120VSS	P1	113	6,290.63	326
SCE-AC1000B230V	P1	35	2,551.50	320	SCE-AC6800B120VSS6	P1	113	7,577.45	326
SCE-AC1000B230VSS	P1	35	3,746.25	320	SCE-AC6800B230V	P1	109	4,396.88	326
SCE-AC1000B230VSS6	P1	35	4,188.54	320	SCE-AC6800B230VSS	P1	109	5,934.38	326
SCE-AC10200B230V	P1	169	5,831.25	328	SCE-AC6800B230VSS6	P1	109	7,191.01	326
SCE-AC10200B230VSS	P1	169	8,265.63	328	SCE-AC6800B460V3	P1	113	4,668.75	326
SCE-AC10200B230VSS6	P1	169	10,179.30	328	SCE-AC6800B460V3SS	P1	133	6,231.25	326
SCE-AC10200B460V3	P1	176	6,462.50	328	SCE-AC6800B460V3SS6	P1	133	7,512.41	326
SCE-AC10200B460V3SS	P1	169	8,925.00	328	SCE-AC8500B120V	P1	169	5,265.63	328
SCE-AC10200B460V3SS6	P1	169	10,890.11	328	SCE-AC8500B120VSS	P1	113	7,312.50	328
SCE-AC10BF1	P2	3	37.00	406	SCE-AC8500B120VSS6	P1	113	9,190.40	328
SCE-AC13650B230V	P1	169	6,268.75	329	SCE-AC8500B230V	P1	165	5,000.00	328
SCE-AC13650B230VSS	P1	169	9,059.38	329	SCE-AC8500B230VSS	P1	165	7,018.75	328
SCE-AC13650B230VSS6	P1	169	11,037.13	329	SCE-AC8500B230VSS6	P1	165	8,830.99	328
SCE-AC13650B460V3	P1	176	7,309.38	329	SCE-AC8500B460V	P1	172	5,368.75	328
SCE-AC13650B460V3SS	P1	176	10,168.75	329	SCE-AC8500B460VSS	P1	172	7,496.88	328
SCE-AC13650B460V3SS6	P1	176	12,235.73	329	SCE-AC8500B460VSS6	P1	172	9,390.99	328
SCE-AC1870B120V	P1	72	2,768.75	322	SCE-AC85BF1	P2	4	48.00	406
SCE-AC1870B120VSS	P1	72	4,068.75	322	SCE-APH	P2	1	22.35	355
SCE-AC1870B120VSS6	P1	72	4,945.42	322	SCE-ARK36	P2	4	115.23	354
SCE-AC1870B230V	P1	68	2,393.75	322	SCE-ASPB-05	P2	1	5.13	366
SCE-AC1870B230VSS	P1	68	3,906.25	322	SCE-ASPB-09	P2	1	5.13	366
SCE-AC1870B230VSS6	P1	68	4,771.27	322	SCE-ASPB-09-25	V1	3	102.60	366
SCE-AC1870B460V	P1	72	2,928.13	322	SCE-ASPBG-05	P2	1	3.63	366
SCE-AC1870B460VSS	P1	72	4,231.25	322	SCE-ASPBG-09	P2	1	3.63	366
SCE-AC1870B460VSS6	P1	72	5,120.08	322	SCE-ASPBG-09-25	V1	3	72.60	366
SCE-AC18BF1	P2	3	39.00	406	SCE-ASPBG-RAL7035	P2	1	3.63	366
SCE-AC2550B120V	P1	72	2,890.63	322	SCE-ASPBG-SS	P2	1	17.88	366
SCE-AC2550B120VSS	P1	72	4,193.75	322	SCE-ASPB-RAL7035	P2	1	5.13	366
SCE-AC2550B120VSS6	P1	72	5,081.43	322	SCE-ASPB-SS	P2	1	19.13	366
SCE-AC2550B230V	P1	68	2,740.63	322	SCE-AUHK	P2	2	35.94	37
SCE-AC2550B230VSS	P1	68	4,037.50	322	SCE-AVK23	P2	1	16.64	351
SCE-AC2550B230VSS6	P1	68	4,912.01	322	SCE-AVK23SS	P2	1	41.60	351
SCE-AC2550B460V	P1	72	3,053.13	322	SCE-AVK33	P2	1	17.38	351
SCE-AC2550B460VSS	P1	72	4,359.38	322	SCE-AVK33SS	P2	1	43.46	351
SCE-AC2550B460VSS6	P1	72	5,260.71	322	SCE-AVK34	P2	1	18.38	351
SCE-AC3400B120V	P1	91	3,506.25	324	SCE-AVK34SS	P2	1	45.94	351
SCE-AC3400B120VSS	P1	91	4,965.63	324	SCE-AVK43	P2	1	18.87	351
SCE-AC3400B120VSS6	P1	91	5,975.61	324	SCE-AVK43SS	P2	1	47.19	351
SCE-AC3400B230V	P1	86	3,340.63	324	SCE-AVK44	P2	1	19.87	351
SCE-AC3400B230VSS	P1	86	4,787.50	324	SCE-AVK44SS	P2	1	49.67	351
SCE-AC3400B230VSS6	P1	86	5,783.23	324	SCE-AVK64	P2	1	21.85	351
SCE-AC3400B460V	P1	91	3,703.13	324	SCE-AVK64SS	P2	1	54.63	351
SCE-AC3400B460VSS	P1	91	5,162.50	324	SCE-AVK66	P2	2	22.60	351
SCE-AC3400B460VSS6	P1	91	6,188.23	324	SCE-AVK66SS	P2	2	55.88	351
SCE-AC5100B120V	P1	113	3,903.13	326					
SCE-AC5100B120VSS	P1	113	5,509.38	326					

Phone (989) 799-6871
Fax (989) 799-4524



1 Operator System Enclosures
 2 Wall-Mount Enclosures
 3 Free-Standing & Floor-Mounted Enclosures
 4 Modular Enclosures
 5 Operator System Enclosures (Stainless Steel)
 6 Wall-Mount Enclosures (Stainless Steel)
 7 Free-Standing & Floor-Mounted Enclosures (Stainless Steel)
 8 Non-Metallic Enclosures
 9 Accessories
 10 Technical Information
 11 Index

PART NUMBER	PRICE CODE	ESTIMATED SHIPPING WT.	LIST PRICE	PAGE NUMBER
SCE-AVK812	P2	3	34.77	351
SCE-AVK812SS	P2	3	86.93	351
SCE-AVK84	P2	2	23.34	351
SCE-AVK84SS	P2	2	57.13	351
SCE-AVK86	P2	2	26.33	351
SCE-AVK86SS	P2	2	58.36	351
SCE-AVK88	P2	3	29.31	351
SCE-AVK88SS	P2	3	65.82	351
SCE-BP115	P1	12	743.75	345
SCE-BP1805LG	P5	65	174.00	187
SCE-BP1806LG	P5	110	180.00	187
SCE-BP2005LG	P5	88	186.00	187
SCE-BP2006LG	P5	113	200.00	187
SCE-BP230	P1	12	743.75	345
SCE-BP5612	P2	18	217.45	395
SCE-BP5618	P2	24	238.70	395
SCE-BP5624	P2	33	259.80	395
SCE-BP6018	P2	26	239.58	395
SCE-BP6024	P2	34	260.66	395
SCE-BP6812	P2	22	269.90	395
SCE-BP6818	P2	31	245.54	395
SCE-BP6824	P2	40	245.54	395
SCE-BP7218	P2	31	254.10	395
SCE-BP7224	P2	41	277.23	395
SCE-BP7818	P2	33	270.84	395
SCE-BP7824	P2	48	294.94	395
SCE-BPEX18	P2	2	91.48	395
SCE-BPEX24	P2	3	101.52	395
SCE-BSW19SS	P2	1	20.43	403
SCE-BSW25SS	P2	1	21.69	403
SCE-BSW31SS	P2	1	22.38	403
SCE-BSW38SS	P2	1	29.95	403
SCE-BVK	P2	1	20.75	345
SCE-CAKR	P2	8	109.28	376
SCE-CAKR4	P2	9	163.91	376
SCE-CAKS	P2	8	136.60	376
SCE-CAKS4	P2	9	191.23	376
SCE-CBL15	P2	1	13.75	8
SCE-CBL20	P2	1	14.25	8
SCE-CDPK	P2	6	124.18	396
SCE-CF10	P1	6	247.91	349
SCE-CF10-230	P1	6	272.71	349
SCE-CF4	P1	3	93.43	349
SCE-CF4-230	P1	2	150.50	349
SCE-CF6	P1	3	234.96	349
SCE-CF6-230	P1	3	261.92	349
SCE-CHCLAMP	P2	1	16.38	355
SCE-CHCLAMPSS	P2	1	20.08	355
SCE-CN1032	P2	1	32.31	29
SCE-CTEM	P1	1	140.40	344
SCE-DCP	P2	1	42.22	365
SCE-DCPSS	P2	1	53.40	365
SCE-DF1806	P5	61	308.83	191
SCE-DF1808	P5	68	351.82	191

PART NUMBER	PRICE CODE	ESTIMATED SHIPPING WT.	LIST PRICE	PAGE NUMBER
SCE-DF1809	P5	73	373.63	191
SCE-DF1810	P5	78	394.84	191
SCE-DF2006	P5	66	322.38	191
SCE-DF2008	P5	68	370.37	191
SCE-DF2009	P5	77	394.69	191
SCE-DF2010	P5	82	418.36	191
SCE-DF20EL16LP	P2	12	72.59	392
SCE-DF20EL20LP	P2	10	77.44	392
SCE-DF24EL20LP	P2	14	80.84	392
SCE-DF24EL24LP	P2	15	87.32	392
SCE-DF30EL20LP	P2	22	92.78	392
SCE-DF30EL24LP	P2	19	98.27	392
SCE-DF30EL30LP	P2	37	116.19	392
SCE-DF36EL20LP	P2	22	105.54	392
SCE-DF36EL24LP	P2	19	113.74	392
SCE-DF36EL30LP	P2	22	134.11	392
SCE-DF36EL36LP	P2	28	152.14	392
SCE-DF42EL24LP	P2	20	131.34	392
SCE-DF42EL30LP	P2	24	154.88	392
SCE-DF42EL36LP	P2	26	170.17	392
SCE-DF48EL24LP	P2	45	158.72	392
SCE-DF48EL36LP	P2	40	189.95	392
SCE-DF48EL48	P2	58	261.30	393
SCE-DF6048	P2	48	356.31	393
SCE-DF6060	P2	66	396.74	393
SCE-DF60EL36LP	P2	88	224.79	392
SCE-DF60EL48	P2	47	345.67	393
SCE-DF60EL60	P2	62	385.11	393
SCE-DF7260	P2	75	438.41	393
SCE-DF7272	P2	88	489.29	393
SCE-DF72EL36LP	P2	94	236.75	392
SCE-DF72EL60	P2	63	425.77	393
SCE-DF72EL72	P2	93	475.40	393
SCE-DFJ1008	P2	6	49.54	392
SCE-DFJ1210	P2	9	53.75	392
SCE-DFJ1212	P2	10	55.79	392
SCE-DFJ1412	P2	11	57.83	392
SCE-DFJ1614	P2	13	62.22	392
SCE-DFJ2016	P2	15	67.54	392
SCE-DISKPK	P2	5	124.18	396
SCE-DL5MDB	P2	1	17.38	352
SCE-DL5MDBBB	P2	1	17.38	352
SCE-DL7SC	P2	1	17.38	352
SCE-DL7TE	P2	1	17.38	352
SCE-DL8SB	P2	1	12.91	352
SCE-DL8SC	P2	1	12.91	352
SCE-DLCA	P2	1	14.90	352
SCE-DLKD	P2	1	27.32	352
SCE-DLKLDB	P2	1	27.99	352
SCE-DLKLDB-25	V1	3	543.12	352
SCE-DLSB	P2	1	17.38	352
SCE-DLSBB	P2	1	17.38	352
SCE-DLSSB	P2	1	42.22	352
SCE-DLWKC	P2	1	17.38	352
SCE-DLWKF	P2	1	17.38	352
SCE-DLWKF-25	V1	5	284.83	352



Phone (989) 799-6871
 Fax (989) 799-4524

1 Operator System Enclosures
 2 Wall-Mount Enclosures
 3 Free-Standing & Floor-Mounted Enclosures
 4 Modular Enclosures
 5 Operator System Enclosures (Stainless Steel)
 6 Wall-Mount Enclosures (Stainless Steel)
 7 Free-Standing & Floor-Mounted Enclosures (Stainless Steel)
 8 Non-Metallic Enclosures
 9 Accessories
 10 Technical Information
 11 Index

PART NUMBER	PRICE CODE	ESTIMATED SHIPPING WT.	LIST PRICE	PAGE NUMBER
SCE-DS12N4	P2	2	35.83	360
SCE-DS12N4LG	P2	2	35.83	360
SCE-DS12SS	P2	2	81.96	360
SCE-DS16N4	P2	2	40.80	360
SCE-DS16N4LG	P2	2	40.80	360
SCE-DS16SS	P2	2	89.41	360
SCE-DS20N4	P2	3	43.28	360
SCE-DS20N4LG	P2	3	43.28	360
SCE-DS20SS	P2	3	96.86	360
SCE-DS24N4	P2	4	50.74	360
SCE-DS24N4LG	P2	4	50.74	360
SCE-DS24SS	P2	3	104.31	360
SCE-DS30N4	P2	4	53.22	360
SCE-DS30N4LG	P2	4	53.22	360
SCE-DS30SS	P2	4	116.72	360
SCE-DS36N4	P2	4	56.40	360
SCE-DS36N4LG	P2	4	56.40	360
SCE-DS36SS	P2	4	129.14	360
SCE-DS42N4	P2	5	60.31	360
SCE-DS42SS	P2	5	141.56	360
SCE-DS48N4	P2	5	68.82	360
SCE-DS48SS	P2	5	158.95	360
SCE-DS60N4	P2	5	80.17	360
SCE-DS60SS	P2	5	181.31	360
SCE-DS72N4	P2	7	90.43	360
SCE-DS72SS	P2	7	216.07	360
SCE-DSTOPK	P2	2	67.05	358
SCE-E115I	P2	5	144.68	364
SCE-EKDF	P2	1	36.21	364
SCE-ELFM12H	P2	3	51.20	374
SCE-ELFM12HSS	P2	3	122.88	374
SCE-ELFM12W	P2	3	47.10	374
SCE-ELFM12WSS	P2	3	113.04	374
SCE-ELFM16H	P2	3	54.47	374
SCE-ELFM16HSS	P2	3	130.73	374
SCE-ELFM16W	P2	3	50.33	374
SCE-ELFM16WSS	P2	3	120.79	374
SCE-ELFM20H	P2	3	56.85	374
SCE-ELFM20HSS	P2	4	136.44	374
SCE-ELFM20W	P2	4	52.75	374
SCE-ELFM20WSS	P2	4	126.60	374
SCE-ELFM24H	P2	4	60.89	374
SCE-ELFM24HSS	P2	4	146.14	374
SCE-ELFM24W	P2	4	56.79	374
SCE-ELFM24WSS	P2	4	136.60	374
SCE-ELFM30H	P2	5	64.95	374
SCE-ELFM30HSS	P2	5	155.88	374
SCE-ELFM30W	P2	5	60.85	374
SCE-ELFM30WSS	P2	5	146.04	374
SCE-ELFM36H	P2	6	70.16	374
SCE-ELFM36HSS	P2	6	168.38	374
SCE-ELFM36W	P2	6	66.10	374
SCE-ELFM36WSS	P2	6	158.64	374
SCE-ELFP	P2	1	9.94	355
SCE-ELJHINGE	P2	1	5.60	404
SCE-ELJMFK	P2	1	23.43	377

PART NUMBER	PRICE CODE	ESTIMATED SHIPPING WT.	LIST PRICE	PAGE NUMBER
SCE-ELJMFKSS-OS	P2	1	48.86	377
SCE-ELKL	P2	1	62.09	354
SCE-ELKLT	P2	1	39.19	352
SCE-ELMFK4	P2	2	17.69	377
SCE-ELMFK4-25	V1	13	307.85	377
SCE-ELMFK4SS	P2	2	26.05	377
SCE-ELMFK4SS-25	V1	13	448.36	377
SCE-ELMFK4SS6-OS	P2	1	53.50	377
SCE-ELMFK6	P2	3	23.86	377
SCE-ELMFK6SS	P2	3	31.02	377
SCE-ELPL	P2	1	62.09	354
SCE-ELSP	P2	6	45.00	394
SCE-ELSP3	P2	7	56.00	394
SCE-EMG	P5	2	26.74	189
SCE-EMIG	P2	3	119.22	402
SCE-EP1805LG	P5	37	225.83	186
SCE-EP1806LG	P5	44	249.45	186
SCE-EP2005LG	P5	49	238.94	186
SCE-EP2006LG	P5	49	265.23	186
SCE-EXD18	P2	110	606.55	400
SCE-EXD18SS	P2	95	1,713.18	400
SCE-FA1010	P1	13	533.98	347
SCE-FA1010-230	P1	12	587.36	347
SCE-FA1010-24VDC	P1	10	754.50	347
SCE-FA44	P1	3	225.02	347
SCE-FA44-230	P1	3	268.64	347
SCE-FA66	P1	4	400.48	347
SCE-FA66-230	P1	4	440.52	347
SCE-FA66-24VDC	P1	4	557.52	347
SCE-FGA1010	P1	2	141.12	347
SCE-FGA44	P1	3	104.40	347
SCE-FGA66	P1	4	106.79	347
SCE-FGABP	P1	3	156.48	345
SCE-FK0418	P2	23	147.90	378
SCE-FK0418LG	P2	23	147.90	378
SCE-FK0608	P2	15	111.76	378
SCE-FK0608LG	P2	15	111.76	378
SCE-FK0610	P2	17	116.72	378
SCE-FK0610LG	P2	17	116.72	378
SCE-FK0612	P2	19	131.63	378
SCE-FK0612LG	P2	19	131.63	378
SCE-FK0618	P2	30	153.98	378
SCE-FK0618LG	P2	30	153.98	378
SCE-FK0624	P2	33	178.81	378
SCE-FK0624LG	P2	33	178.81	378
SCE-FK1208	P2	23	139.08	378
SCE-FK1208LG	P2	23	139.08	378
SCE-FK1208SS	P2	24	379.99	379
SCE-FK1210	P2	27	146.53	378
SCE-FK1210LG	P2	27	146.53	378
SCE-FK1210SS	P2	27	409.79	379
SCE-FK1212	P2	29	153.98	378
SCE-FK1212LG	P2	29	153.98	378
SCE-FK1212SS	P2	30	437.11	379

Phone (989) 799-6871
Fax (989) 799-4524



1 Operator System Enclosures
2 Wall-Mount Enclosures
3 Free-Standing & Floor-Mounted Enclosures
4 Modular Enclosures
5 Operator System Enclosures (Stainless Steel)
6 Wall-Mount Enclosures (Stainless Steel)
7 Free-Standing & Floor-Mounted Enclosures (Stainless Steel)
8 Non-Metallic Enclosures
9 Accessories
10 Technical Information
11 Index

PART NUMBER	PRICE CODE	ESTIMATED SHIPPING WT.	LIST PRICE	PAGE NUMBER
SCE-FK1212SS6	P2	30	524.53	379
SCE-FK1216	P2	34	178.81	378
SCE-FK1216LG	P2	34	178.81	378
SCE-FK1216SS	P2	36	496.72	379
SCE-FK1218	P2	41	186.27	378
SCE-FK1218LG	P2	41	186.27	378
SCE-FK1218SS	P2	42	524.03	379
SCE-FK1218SS6	P2	42	628.84	379
SCE-FK1220	P2	42	196.20	378
SCE-FK1220LG	P2	42	196.20	378
SCE-FK1224	P2	43	201.17	378
SCE-FK1224LG	P2	43	201.17	378
SCE-FK1224SS	P2	44	552.60	379
SCE-FK1224SS6	P2	44	663.12	379
SCE-FK1512	P2	42	178.81	378
SCE-FK1512LG	P2	42	178.81	378
SCE-FK1512SS	P2	43	536.45	379
SCE-FK1512SS6	P2	43	643.74	379
SCE-FK1516	P2	43	186.27	378
SCE-FK1516LG	P2	43	186.27	378
SCE-FK1518	P2	45	202.77	378
SCE-FK1518LG	P2	45	202.77	378
SCE-FK1518SS	P2	47	584.89	379
SCE-FK1518SS6	P2	47	701.87	379
SCE-FK1524	P2	46	221.04	378
SCE-FK1524LG	P2	46	221.04	378
SCE-FK1524SS	P2	52	618.41	379
SCE-FK1524SS6	P2	50	742.09	379
SCE-FK1808	P2	31	168.89	378
SCE-FK1808LG	P2	31	168.89	378
SCE-FK1810	P2	35	178.81	378
SCE-FK1810LG	P2	35	178.81	378
SCE-FK1812	P2	37	186.27	378
SCE-FK1812LG	P2	37	186.27	378
SCE-FK1816	P2	45	206.14	378
SCE-FK1816LG	P2	45	206.14	378
SCE-FK1818SS	P2	49	600.38	379
SCE-FK1824	P2	47	260.78	378
SCE-FK1824LG	P2	47	260.78	378
SCE-FK2410SS	P2	45	581.16	379
SCE-FK2412	P2	49	196.93	378
SCE-FK2412LG	P2	49	196.93	378
SCE-FK2412SS	P2	49	608.48	379
SCE-FK2412SS6	P2	49	730.18	379
SCE-FLT33	P2	1	22.35	351
SCE-FLT34	P2	1	22.35	351
SCE-FLT43	P2	1	22.35	351
SCE-FLT44	P2	1	22.35	351
SCE-FLT64	P2	1	24.84	351
SCE-FLT66	P2	2	24.84	351
SCE-FLT812	P2	2	29.80	351
SCE-FLT84	P2	2	27.32	351
SCE-FLT86	P2	2	27.32	351
SCE-FLT88	P2	2	27.32	351

PART NUMBER	PRICE CODE	ESTIMATED SHIPPING WT.	LIST PRICE	PAGE NUMBER
SCE-FMA	P5	8	36.00	191
SCE-FMG	P5	6	26.21	189
SCE-FMG05	P5	8	28.74	189
SCE-FMG06	P5	9	33.54	189
SCE-FMG08	P5	7	42.86	189
SCE-FMG09	P5	7	47.39	189
SCE-FMG10	P5	12	51.92	189
SCE-FP18G	P5	16	97.10	188
SCE-FP20G	P5	18	104.66	188
SCE-FS1212	P2	9	146.53	361
SCE-FS1212-09	P2	9	146.53	361
SCE-FS1212SS	P2	10	418.00	361
SCE-FS1818	P2	17	183.79	361
SCE-FS1818-09	P2	17	183.79	361
SCE-FS1818SS	P2	17	476.22	361
SCE-FS2424	P2	25	221.04	361
SCE-FS2424-09	P2	25	221.04	361
SCE-FS2424SS	P2	28	496.72	361
SCE-FSH2	P2	3	63.34	354
SCE-FSH4	P2	3	63.34	354
SCE-FSH6	P2	3	81.96	354
SCE-FSH8	P2	3	72.03	354
SCE-FSPS4	P2	4	55.88	30
SCE-FSPS6	P2	6	84.44	30
SCE-FSPS8	P2	9	126.66	30
SCE-GA14X1	P2	2	29.80	402
SCE-GA14X75	P2	2	28.56	402
SCE-GA18X50	P2	2	21.11	402
SCE-GARD10	P2	1	26.08	349
SCE-GARD4	P2	1	17.38	349
SCE-GARD6	P2	1	21.11	349
SCE-GB10	P2	2	86.93	358
SCE-GMA	P5	1	20.23	191
SCE-GP08	P2	2	75.04	186
SCE-GP16	P2	2	82.33	186
SCE-GS808	P2	1	33.92	358
SCE-H350	P1	1	161.33	350
SCE-HA1010	P6	9	247.95	398
SCE-HA1010-05	P6	9	247.95	398
SCE-HA1010LG	P6	9	247.95	398
SCE-HA1010SS	P6	9	566.45	398
SCE-HA1212	P6	14	268.92	398
SCE-HA1212-05	P6	14	268.92	398
SCE-HA1212LG	P6	14	268.92	398
SCE-HA1212SS	P6	14	592.52	398
SCE-HA1814	P6	18	318.22	398
SCE-HA1814LG	P6	18	318.22	398
SCE-HA1814SS	P6	18	811.61	398
SCE-HDWMK	P2	2	78.54	376
SCE-HE04W120V	P1	14	1,162.50	340
SCE-HE08W120V	P1	29	1,525.00	340
SCE-HE18W120V	P1	29	1,731.25	341
SCE-HE24W120V	P1	40	1,987.50	341
SCE-HF1251A	P1	4	366.67	350
SCE-HF1252A	P1	4	396.00	350
SCE-HF2001A	P1	4	432.67	350



Phone (989) 799-6871
Fax (989) 799-4524

1 Operator System Enclosures
 2 Wall-Mount Enclosures
 3 Free-Standing & Floor-Mounted Enclosures
 4 Modular Enclosures
 5 Operator System Enclosures (Stainless Steel)
 6 Wall-Mount Enclosures (Stainless Steel)
 7 Free-Standing & Floor-Mounted Enclosures (Stainless Steel)
 8 Non-Metallic Enclosures
 9 Accessories
 10 Technical Information
 11 Index

PART NUMBER	PRICE CODE	ESTIMATED SHIPPING WT.	LIST PRICE	PAGE NUMBER	PART NUMBER	PRICE CODE	ESTIMATED SHIPPING WT.	LIST PRICE	PAGE NUMBER
SCE-HF2002A	P1	4	469.33	350	SCE-L9128ELJSS	S6	10	685.51	240
SCE-HF4001B	P1	4	506.00	350	SCE-L9128ELJW	E1	10	292.25	72
SCE-HF4002B	P1	4	539.00	350	SCE-L9128ELJWSS	S6	10	989.55	242
SCE-HF8001B	P1	4	590.65	350	SCE-L9186ELJ	E1	9	180.51	70
SCE-HF8002B	P1	4	627.00	350	SCE-L9186ELJSS	S6	9	718.82	240
SCE-HMG175	P5	4	19.27	190	SCE-L9186ELJW	E1	9	278.67	72
SCE-HMG225	P5	5	20.90	190	SCE-L9186ELJWSS	S6	9	942.86	242
SCE-HMG300	P5	6	23.19	190	SCE-L9188ELJ	E1	13	191.34	70
SCE-HMG400	P5	1	26.45	190	SCE-L9188ELJSS	S6	13	761.95	240
SCE-HMG475	P5	8	28.75	190	SCE-L9188ELJW	E1	13	295.39	72
SCE-HMG575	P5	16	32.75	190	SCE-L9188ELJWSS	S6	13	999.43	242
SCE-HMG675	P5	18	35.93	190	SCE-L9246ELJ	E1	11	185.82	70
SCE-HMG775	P5	35	38.97	190	SCE-L9246ELJSS	S6	11	724.61	240
SCE-HMICP	P2	1	43.00	37	SCE-L9246ELJW	E1	11	303.78	72
SCE-HMICPSS	P2	1	54.00	221	SCE-L9246ELJWSS	S6	11	1,028.89	242
SCE-HMIKBS	P2	17	167.47	36	SCE-L9248ELJ	E1	17	196.67	70
SCE-HMIKBSSS	P2	17	378.14	36	SCE-L9248ELJSS	S6	17	768.09	240
SCE-HMIPH5	P2	2	25.16	37	SCE-L9248ELJW	E1	17	322.01	72
SCE-HPSERIES1	P2	1	9.27	366	SCE-L9248ELJWSS	S6	17	1,090.62	242
SCE-HPSERIES15	P2	1	10.29	366	SCE-L9306ELJ	E1	16	187.24	70
SCE-HPSERIES2	P2	1	10.67	366	SCE-L9306ELJSS	S6	16	786.43	240
SCE-HPSERIES2-25	V1	3	208.20	366	SCE-L9306ELJW	E1	16	306.94	72
SCE-HPSERIES3	P2	1	18.60	366	SCE-L9306ELJWSS	S6	16	1,039.07	242
SCE-HPSERIES4	P2	1	23.62	366	SCE-L9308ELJ	E1	20	198.47	70
SCE-HS2S	P2	1	5.66	366	SCE-L9308ELJSS	S6	20	833.62	240
SCE-HWK1212	P6	9	310.45	398	SCE-L9308ELJW	E1	20	325.36	72
SCE-HWK1212LG	P6	9	310.45	398	SCE-L9308ELJWSS	S6	20	1,101.41	242
SCE-HWK1212SS	P6	10	640.77	398	SCE-L9366ELJ	E1	20	191.12	70
SCE-HWK1814	P6	15	360.12	398	SCE-L9366ELJSS	S6	20	844.61	240
SCE-HWK1814LG	P6	15	360.12	398	SCE-L9366ELJW	E1	20	309.80	72
SCE-HWK1814SS	P6	16	869.25	398	SCE-L9366ELJWSS	S6	20	1,049.68	242
SCE-HWK2218	P6	16	434.63	398	SCE-L9368ELJ	E1	24	202.59	70
SCE-HWK2218LG	P6	16	434.63	398	SCE-L9368ELJSS	S6	24	895.29	240
SCE-HWK2218SS	P6	18	1,048.07	398	SCE-L9368ELJW	E1	24	328.39	72
SCE-HWK2228	P6	24	496.72	398	SCE-L9368ELJWSS	S6	24	1,112.66	242
SCE-HWK2228LG	P6	24	496.72	398	SCE-LEDB18	P2	1	55.41	405
SCE-HWK2228SS	P6	25	1,296.42	398	SCE-LEDB18DC	P2	1	60.41	405
SCE-HWK2822	P6	24	496.72	398	SCE-LEDB24	P2	1	70.33	405
SCE-HWK2822LG	P6	24	496.72	398	SCE-LF18	P2	6	206.55	362
SCE-HWK2822SS	P6	26	1,296.42	398	SCE-LF1824VDC	P2	6	195.90	362
SCE-HYGRO	P1	1	286.00	345	SCE-LF18NO	P2	6	185.90	362
SCE-IMSBK	P5	3	42.00	192	SCE-LF24	P2	7	218.03	362
SCE-K333	P2	1	6.56	404	SCE-LF24NO	P2	7	196.72	362
SCE-KBH	C2	35	247.74	32	SCE-LLB5	P2	1	26.55	376
SCE-KBS	P2	23	372.54	32	SCE-LLB5-25	V1	30	457.78	376
SCE-KBS32	P2	8	372.54	32	SCE-LLB5SS	P2	1	39.86	376
SCE-KC101	P2	1	6.56	404	SCE-LLB7	P2	2	30.32	376
SCE-KLB	P2	4	195.90	401	SCE-LPCLAMP	P2	1	17.38	355
SCE-KLWN	P2	1	34.77	352	SCE-LPCLAMPSS	P2	1	21.87	355
SCE-KLWNB	P2	1	34.77	352	SCE-LPD2	P2	1	37.25	30
SCE-L	P2	1	11.41	354	SCE-LPQR	P2	1	8.10	355
SCE-L9126ELJ	E1	9	178.78	70	SCE-LRA18	P5	13	110.32	188
SCE-L9126ELJSS	S6	9	646.71	240	SCE-LRA20	P5	15	116.96	188
SCE-L9126ELJW	E1	6	275.71	72	SCE-LSA	P2	1	38.34	362
SCE-L9126ELJWSS	S6	6	933.54	242					
SCE-L9128ELJ	E1	10	189.51	70					

Phone (989) 799-6871
Fax (989) 799-4524



1 Operator System Enclosures
2 Wall-Mount Enclosures
3 Free-Standing & Floor-Mounted Enclosures
4 Modular Enclosures
5 Operator System Enclosures (Stainless Steel)
6 Wall-Mount Enclosures (Stainless Steel)
7 Free-Standing & Floor-Mounted Enclosures (Stainless Steel)
8 Non-Metallic Enclosures
9 Accessories
10 Technical Information
11 Index

PART NUMBER	PRICE CODE	ESTIMATED SHIPPING WT.	LIST PRICE	PAGE NUMBER
SCE-LSMB	P2	1	25.56	362
SCE-MDMI	P5	2	150.46	192
SCE-MDMI2	P5	3	81.14	192
SCE-MDV	P2	3	181.05	402
SCE-MINQ	P2	1	9.94	353
SCE-MINQ6MS	P2	1	34.19	353
SCE-MINQB	P2	1	9.94	353
SCE-MINQKLB	P2	1	49.52	353
SCE-MINQLB	P2	1	28.56	353
SCE-MINQLB-25	V1	5	571.20	353
SCE-MINQPL	P2	1	8.52	353
SCE-MINQSS	P2	1	23.36	353
SCE-MOD724018	A2	450	1,672.08	168
SCE-MOD724018G	A2	448	1,722.08	168
SCE-MOD727718	A2	480	3,042.00	168
SCE-MOD72EPT	P2	69	326.59	169
SCE-MOD72FEP	P2	69	288.09	169
SCE-MOD72FTPT	P2	51	238.42	169
SCE-MOD72X4018	A2	510	1,693.58	168
SCE-MOD72X7818	A2	915	3,063.50	168
SCE-MOD8424EPT	P2	89	391.16	169
SCE-MOD8424FEP	P2	73	342.74	169
SCE-MOD8424FTPT	P2	73	293.07	169
SCE-MOD844018	A2	480	1,859.60	168
SCE-MOD844018G	A2	495	1,909.60	168
SCE-MOD844024	A2	580	2,030.39	168
SCE-MOD847718	A2	880	3,374.03	168
SCE-MOD847718G	A2	920	3,632.84	168
SCE-MOD847724	A2	960	3,603.34	168
SCE-MOD847724G	A2	960	3,603.34	168
SCE-MOD84EPT	P2	73	358.87	169
SCE-MOD84FEP	P2	89	311.69	169
SCE-MOD84FTPT	P2	60	262.02	169
SCE-MOD84X4018	A2	530	1,883.48	168
SCE-MOD84X4018G	A2	530	1,883.48	168
SCE-MOD84X4024	A2	650	2,054.27	168
SCE-MOD84X7818	A2	955	3,397.91	168
SCE-MOD84X7818G	A2	965	3,509.74	168
SCE-MOD84X7824	A2	1075	3,629.61	168
SCE-MOD84X7824G	A2	1075	3,629.61	168
SCE-MODGK	P2	5	79.47	169
SCE-MST10	P2	2	20.24	375
SCE-MST12	P2	2	21.30	375
SCE-MST16	P2	3	23.42	375
SCE-MST20	P2	4	25.56	375
SCE-MST24	P2	4	27.69	375
SCE-MST4	P2	1	17.04	375
SCE-MST6	P2	1	18.10	375
SCE-MST8	P2	2	19.17	375
SCE-N12FA1010	P1	6	578.57	346
SCE-N12FA1010-230	P1	6	792.86	346
SCE-N12FA1010LG	P1	6	636.43	348
SCE-N12FA10HF	P1	9	845.68	346
SCE-N12FA10HF-230	P1	9	845.68	346

PART NUMBER	PRICE CODE	ESTIMATED SHIPPING WT.	LIST PRICE	PAGE NUMBER
SCE-N12FA10HF-460	P1	9	1,080.05	346
SCE-N12FA44	P1	2	166.07	346
SCE-N12FA44-230	P1	2	358.93	346
SCE-N12FA44-24VDC	P1	2	347.69	346
SCE-N12FA44-24VLG	P1	2	316.07	348
SCE-N12FA44LG	P1	2	182.69	348
SCE-N12FA66	P1	4	233.04	346
SCE-N12FA66-230	P1	4	364.29	346
SCE-N12FA66-24VDC	P1	4	530.36	346
SCE-N12FA66-24VLG	P1	4	482.14	348
SCE-N12FA66LG	P1	4	258.93	348
SCE-N12FGA1010	P1	3	89.29	346
SCE-N12FGA1010LG	P1	3	98.21	348
SCE-N12FGA44	P1	1	53.57	346
SCE-N12FGA44LG	P1	1	58.93	348
SCE-N12FGA66	P1	2	71.43	346
SCE-N12FGA66LG	P1	2	78.57	348
SCE-N3RFA1010	P1	6	928.57	348
SCE-N3RFA1010-230	P1	7	1,023.81	348
SCE-N3RFA10HF	P1	9	1,226.19	348
SCE-N3RFA10HF-230	P1	9	1,380.95	348
SCE-N3RFA44	P1	2	369.05	348
SCE-N3RFA44-230	P1	2	488.10	348
SCE-N3RFA66	P1	3	500.00	348
SCE-N3RFA66-230	P1	3	529.76	348
SCE-N3RFGA1010	P1	1	244.05	348
SCE-N3RFGA44	P1	1	142.86	348
SCE-N3RFGA66	P1	1	202.38	348
SCE-N3RMFK4	P2	1	26.00	377
SCE-NADFK	P2	3	44.71	394
SCE-NADFK-3	P2	1	55.89	394
SCE-NADFKSS	P2	2	159.02	394
SCE-NLTH	P2	2	24.84	352
SCE-NMST10	P2	1	18.10	375
SCE-NMST12	P2	2	19.17	375
SCE-NMST16	P2	2	21.30	375
SCE-NMST20	P2	2	23.42	375
SCE-NMST24	P2	3	25.56	375
SCE-NMST6	P2	1	15.98	375
SCE-NMST8	P2	1	17.04	375
SCE-NR1032	P5	2	25.20	192
SCE-NR1420	P5	2	25.20	192
SCE-OCL12	P2	1	34.88	403
SCE-OCL24	P2	1	96.90	403
SCE-P010605	P5	26	166.64	186
SCE-P010606	P5	28	174.75	186
SCE-P010805	P5	30	182.67	186
SCE-P010806	P5	33	190.78	186
SCE-P011005	P5	61	198.93	186
SCE-P011006	P5	37	206.70	186
SCE-P011205	P5	40	235.05	186
SCE-P011206	P5	42	243.45	186
SCE-P011605	P5	49	267.15	186
SCE-P011606	P5	52	275.26	186
SCE-P011805	P5	66	298.92	186
SCE-P011806	P5	1	307.03	186



Phone (989) 799-6871
 Fax (989) 799-4524

1 Operator System Enclosures
 2 Wall-Mount Enclosures
 3 Free-Standing & Floor-Mounted Enclosures
 4 Modular Enclosures
 5 Operator System Enclosures (Stainless Steel)
 6 Wall-Mount Enclosures (Stainless Steel)
 7 Free-Standing & Floor-Mounted Enclosures (Stainless Steel)
 8 Non-Metallic Enclosures
 9 Accessories
 10 Technical Information
 11 Index

PART NUMBER	PRICE CODE	ESTIMATED SHIPPING WT.	LIST PRICE	PAGE NUMBER	PART NUMBER	PRICE CODE	ESTIMATED SHIPPING WT.	LIST PRICE	PAGE NUMBER
SCE-P2424SSWS	P2	21	515.13	31	SCE-RH1010	P1	9	73.60	347
SCE-P2424WS	P2	21	169.92	31	SCE-RH1010-05	P1	9	73.60	347
SCE-P2432SSWS	P2	24	588.72	31	SCE-RH1010SS	P1	9	103.05	347
SCE-P2432WS	P2	24	198.24	31	SCE-RH10N12	P1	9	92.02	346
SCE-P2626SSWS	P2	23	552.24	31	SCE-RH10N12SS	P1	10	128.81	346
SCE-P2626WS	P2	23	184.08	31	SCE-RH44	P1	3	61.33	347
SCE-PCH5	P2	4	86.93	353	SCE-RH44SS	P1	3	85.86	347
SCE-PCH5-7SC	P2	1	86.93	353	SCE-RH4N12	P1	2	76.67	346
SCE-PCH5SS	P2	4	117.25	353	SCE-RH4N12SS	P1	2	107.33	346
SCE-PCH7	P2	4	99.34	353	SCE-RH66	P1	4	65.43	347
SCE-PCH7-7SC	P2	1	99.34	353	SCE-RH66-05	P1	4	65.43	347
SCE-PCSP	F1	1	26.67	394	SCE-RH66SS	P1	4	91.60	347
SCE-PE22	C2	18	365.08	31	SCE-RH6N12	P1	4	81.79	346
SCE-PE22SS	C2	28	912.72	31	SCE-RH6N12SS	P1	7	114.48	346
SCE-PEN05	P2	1	10.42	404	SCE-S180605LG	I1	232	1,295.18	174
SCE-PEN09	P2	1	10.42	404	SCE-S180606LG	I1	252	1,369.60	174
SCE-PEN7035	P2	1	10.42	404	SCE-S180805LG	I1	299	1,500.83	174
SCE-PH5	P2	4	86.93	353	SCE-S180806LG	P5	324	1,592.96	174
SCE-PH5SS	P2	4	107.44	353	SCE-S181005LG	I1	300	1,658.32	174
SCE-PH7	P2	4	99.34	353	SCE-S181006LG	I1	379	1,757.74	174
SCE-PKH5	P2	4	86.93	353	SCE-S200605LG	I1	254	1,375.64	174
SCE-PKH5SS	P2	2	114.69	353	SCE-S200606LG	I1	276	1,457.21	174
SCE-PKH7	P2	4	99.34	353	SCE-S200805LG	I1	322	1,588.55	174
SCE-PLHG	P2	1	17.38	352	SCE-S200806LG	I1	349	1,687.38	174
SCE-PLKJIC	P2	1	9.94	355	SCE-S201005LG	I1	380	1,760.00	174
SCE-PLWKB	P2	1	19.87	352	SCE-S201006LG	I1	409	1,866.38	174
SCE-PLWKB-50	V1	17	651.65	352	SCE-SA20T	C3	7	143.33	368
SCE-PP101201	P2	1	24.84	396	SCE-SA20TC	C3	6	116.19	368
SCE-PP101203	P2	6	27.32	396	SCE-SA230WH	C3	9	422.96	368
SCE-PP1212	P2	6	37.86	396	SCE-SA310IJ	C3	13	508.61	368
SCE-PP7701	P2	1	22.35	396	SCE-SA310JJD	C3	13	508.61	368
SCE-PS1032CN	P2	2	36.02	138	SCE-SA310TMJ	C3	9	371.04	368
SCE-PS1420	P2	2	46.94	192	SCE-SA320AC	C3	6	259.87	368
SCE-PS1420CN	P2	2	42.22	30	SCE-SA360C	C3	4	201.12	368
SCE-PS3816CN	P2	2	42.22	30	SCE-SA39T	C3	13	226.05	368
SCE-PS51618CN	P5	2	48.97	192	SCE-SA39TC	C3	13	184.86	368
SCE-PSK24	C2	5	59.98	29	SCE-SA45IA	C3	4	467.74	368
SCE-PSK32	C2	7	63.90	29	SCE-SA79T	C3	26	429.50	368
SCE-PWK138NF	P2	4	151.50	397	SCE-SA79TC	C3	25	334.40	368
SCE-PWK138NFSS	P2	4	228.49	397	SCE-SA90A	C3	2	129.98	368
SCE-PWK1711NF	P2	6	208.62	397	SCE-SAFC	C3	3	108.38	368
SCE-PWK1711NFSS	P2	6	300.51	397	SCE-SAFFS	C3	2	103.97	368
SCE-PWK2315NF	P2	8	257.05	397	SCE-SATFS	C3	4	199.30	368
SCE-PWK2315NFSS	P2	8	388.68	397	SCE-SB18	C2	3	44.34	30
SCE-PWK2919NF	P2	12	382.47	397	SCE-SD180805LG	I1	299	1,809.40	178
SCE-PWK2919NFSS	P2	12	576.19	397	SCE-SD180806LG	I1	324	1,901.53	178
SCE-PWK53NF	P2	2	99.34	397	SCE-SD181005LG	I1	353	1,966.89	178
SCE-PWK53NFSS	P2	2	149.01	397	SCE-SD181006LG	I1	379	2,066.31	178
SCE-PWK63NF	P2	2	109.28	397	SCE-SD181205LG	I1	405	2,124.52	178
SCE-PWK95NF	P2	3	119.22	397	SCE-SD181206LG	I1	433	2,230.42	178
SCE-PWK95NFSS	P2	3	180.06	397	SCE-SD200805LG	I1	322	1,897.12	178
SCE-QRCH	P2	1	7.62	355	SCE-SD200806LG	I1	349	1,996.40	178
SCE-RF1010	P2	1	17.38	405	SCE-SD201005LG	I1	380	2,068.57	178
SCE-RF44	P2	1	8.07	405	SCE-SD201006LG	I1	409	2,174.95	178
SCE-RF517	P2	1	12.78	405					
SCE-RF66	P2	1	9.32	405					

Phone (989) 799-6871
Fax (989) 799-4524



1 Operator System Enclosures
2 Wall-Mount Enclosures
3 Free-Standing & Floor-Mounted Enclosures
4 Modular Enclosures
5 Operator System Enclosures (Stainless Steel)
6 Wall-Mount Enclosures (Stainless Steel)
7 Free-Standing & Floor-Mounted Enclosures (Stainless Steel)
8 Non-Metallic Enclosures
9 Accessories
10 Technical Information
11 Index

PART NUMBER	PRICE CODE	ESTIMATED SHIPPING WT.	LIST PRICE	PAGE NUMBER
SCE-SD201205LG	I1	405	2,294.38	178
SCE-SD201206LG	I1	433	2,371.41	178
SCE-SDMI	P5	6	75.23	192
SCE-SGP08	P2	2	90.05	186
SCE-SGP16	P2	2	97.33	186
SCE-SK123644	P2	15	177.96	380
SCE-SK123644SS	P2	15	332.40	380
SCE-SK124856	P2	20	212.52	380
SCE-SK124856SS	P2	20	418.80	380
SCE-SK126068	P2	25	247.08	380
SCE-SK126068SS	P2	25	505.20	380
SCE-SK127280	P2	30	281.64	380
SCE-SK127280SS	P2	30	591.60	380
SCE-SK153644	P2	19	203.70	380
SCE-SK153644SS	P2	19	396.75	380
SCE-SK154856	P2	25	246.90	380
SCE-SK154856SS	P2	25	504.75	380
SCE-SK156068	P2	31	290.10	380
SCE-SK156068SS	P2	31	612.75	380
SCE-SK157280	P2	37	333.30	380
SCE-SK157280SS	P2	38	770.75	380
SCE-SKL123644	P2	15	227.96	380
SCE-SKL123644SS	P2	15	382.40	380
SCE-SKL124856	P2	20	262.52	380
SCE-SKL124856SS	P2	20	468.80	380
SCE-SKL126068	P2	25	297.08	380
SCE-SKL126068SS	P2	25	555.20	380
SCE-SKL127280	P2	30	331.64	380
SCE-SKL127280SS	P2	30	641.60	380
SCE-SKL153644	P2	19	253.70	380
SCE-SKL153644SS	P2	19	446.75	380
SCE-SKL154856	P2	25	296.90	380
SCE-SKL154856SS	P2	25	554.75	380
SCE-SKL156068	P2	31	340.10	380
SCE-SKL156068SS	P2	31	662.75	380
SCE-SKL157280	P2	37	383.30	380
SCE-SKL157280SS	P2	38	770.75	380
SCE-SLCC	P2	1	32.87	363
SCE-SLDCC	P2	1	36.98	363
SCE-SLMS	P2	1	200.00	363
SCE-SLOF	P2	1	162.79	363
SCE-SLT	P2	3	144.05	402
SCE-SP1806G	P5	73	252.06	187
SCE-SP1808G	P5	82	311.26	187
SCE-SP1809G	P5	91	340.09	187
SCE-SP1810G	P5	91	368.92	187
SCE-SP1812G	P5	113	478.73	187
SCE-SP1816G	P5	149	594.01	187
SCE-SP1818G	P5	149	651.70	187
SCE-SP2006G	P5	167	273.49	187
SCE-SP2008G	P5	81	337.77	187
SCE-SP2009G	P5	91	370.01	187
SCE-SP2010G	P5	101	402.22	187
SCE-SP2012G	P5	126	520.20	187

PART NUMBER	PRICE CODE	ESTIMATED SHIPPING WT.	LIST PRICE	PAGE NUMBER
SCE-SP2016G	P5	167	648.92	187
SCE-SP2018G	P5	187	713.23	187
SCE-SPMP05	P5	4	28.74	188
SCE-SPMP06	P5	5	33.54	188
SCE-SSCLEAN	P2	2	45.16	405
SCE-SSQT	P2	1	127.30	352
SCE-STMMK	P2	1	53.28	28
SCE-STWBTD	C2	18	155.47	31
SCE-STWSPL	C2	3	32.91	28
SCE-STWSPLSS	C2	4	114.00	28
SCE-STWSSBTD	C2	16	462.20	31
SCE-T181205LG	I1	405	1,823.00	176
SCE-T181206LG	I1	433	2,004.13	176
SCE-T181605LG	I1	522	2,217.42	176
SCE-T181606LG	I1	552	2,328.65	176
SCE-T201205LG	I1	436	2,014.20	176
SCE-T201206LG	I1	467	2,127.40	176
SCE-T201605LG	I1	562	2,367.49	176
SCE-T201606LG	I1	594	2,486.21	176
SCE-TD181605LG	I1	435	2,289.09	180
SCE-TD181606LG	I1	464	2,394.99	180
SCE-TD181805LG	I1	530	2,608.27	180
SCE-TD181806LG	I1	560	2,719.51	180
SCE-TD201605LG	I1	467	2,405.06	180
SCE-TD201606LG	I1	497	2,518.26	180
SCE-TD201805LG	I1	570	2,758.35	180
SCE-TD201806LG	I1	602	2,877.07	180
SCE-TE170B24VSS	P1	7	1,020.50	334
SCE-TE340B24VSS	P1	13	1,794.00	334
SCE-TE510B24VSS	P1	22	2,340.00	335
SCE-TE680B24VSS	P1	22	2,632.50	335
SCE-TEMD	P1	1	82.55	344
SCE-TEMEVDC	P1	9	188.50	344
SCE-TEMG	P5	2	24.38	189
SCE-TEMNC	P1	1	50.05	344
SCE-TEMNO	P1	1	50.05	344
SCE-TSH100	P1	1	179.67	350
SCE-TSH150	P1	1	242.00	350
SCE-TSH25	P1	1	91.67	350
SCE-TSH50	P1	1	117.33	350
SCE-TSH75	P1	1	150.33	350
SCE-TU05	P2	1	45.16	404
SCE-TU09	P2	1	45.16	404
SCE-UA400V	P2	2	47.19	365
SCE-UAV	P2	2	47.19	365
SCE-UHK13	P2	2	39.74	355
SCE-URA18	P5	15	110.32	188
SCE-URA20	P5	17	116.96	188
SCE-VMG18	P5	54	81.19	190
SCE-VMG20	P5	61	87.71	190
SCE-VRMS24	P2	7	42.67	375
SCE-VRMS36	P2	8	53.21	375
SCE-WMS1SS	P2	1	77.81	374
SCE-WMS2SS	P2	1	104.51	374
SCE-WMS3SS	P2	2	131.21	374
SCE-WMS4SS	P2	2	157.91	374



Phone (989) 799-6871
Fax (989) 799-4524

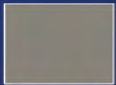
1 Operator System Enclosures
2 Wall-Mount Enclosures
3 Free-Standing & Floor-Mounted Enclosures
4 Modular Enclosures
5 Operator System Enclosures (Stainless Steel)
6 Wall-Mount Enclosures (Stainless Steel)
7 Free-Standing & Floor-Mounted Enclosures (Stainless Steel)
8 Non-Metallic Enclosures
9 Accessories
10 Technical Information
11 Index

PART NUMBER	PRICE CODE	ESTIMATED SHIPPING WT.	LIST PRICE	PAGE NUMBER
SCE-WSBTD	C2	18	247.74	31
SCE-WSCC	C2	23	286.86	32
SCE-WSCCSS	C2	23	664.98	32
SCE-WSSBTD	C2	18	365.08	31
SCE-XMAIMF18	P2	3	38.34	376
SCE-XMAIMF20	P2	3	42.60	376
SCE-XMAIMF24	P2	4	51.12	376

Waste Water Treatment



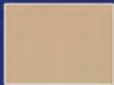
Municipality



SCE-09 GRAY
Semi-Gloss



SCE-05 WHITE
Full Gloss



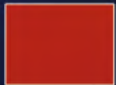
RAL 1015
Beige
Full Gloss



RAL 1018
Yellow
Full Gloss



RAL 2004
Orange
Full Gloss



RAL 3000
Red
Full Gloss



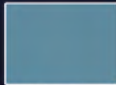
RAL 5010
Blue
Full Gloss



RAL 5015
Blue
Full Gloss



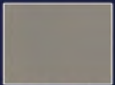
RAL 5019
Blue
Full Gloss



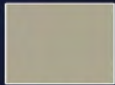
RAL 5024
Blue
Full Gloss



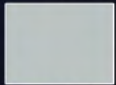
RAL 8023
Orange
Full Gloss



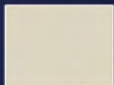
RAL 7030
Gray
Full Gloss



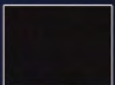
RAL 7032
Gray
Full Gloss



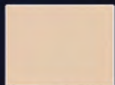
RAL 7035
Gray
Full Gloss



RAL 9002
Gray
Full Gloss



RAL 9011
Black
Sand Texture



RAL 9010
White
Full Gloss

Note: Colors are close representations with standard monitor settings and are not intended for match. Color charts may also vary by manufacturer.

Semi-Gloss = 60 to 70 Gloss Level acc. to ASTM 523 / 60° angle
Full Gloss = 80 to 90 Gloss Level acc. to ASTM 523 / 60° angle



Your Enclosure Source®



Kenosha Industrial Park

5110 70th Avenue
Kenosha, Wisconsin 53144
Phone (262) 657-4700 • Fax (262) 657-4774
Toll Free (800) 345-2080
e-mail: Kenosha@saginawcontrol.com



Corporate Office

95 Midland Road
Saginaw, Michigan 48638
Phone (989) 799-6871 • Fax (989) 799-4524
Toll Free (800) 234-6871
e-mail: sce@saginawcontrol.com
<http://www.saginawcontrol.com>



Aurora Industrial Park

40 Aurora Industrial Parkway
Aurora, Ohio 44202
Phone (330) 995-9800 • Fax (330) 995-9802
Toll Free (888) 216-9803
e-mail: Aurora@saginawcontrol.com



Tahoe-Reno Industrial Center

795 Denmark Drive
McCarran, Nevada 89434
Phone (775) 343-1834 • Fax (775) 343-1838
Toll Free (877) 493-1834
e-mail: Reno@saginawcontrol.com



Tulsa Distribution Center

2723 North 129th East Avenue
Tulsa, Oklahoma 74116
Phone (918) 340-6528 • Fax (918) 491-4708
Toll Free (833) 671-1838
e-mail: Tulsa@saginawcontrol.com



Roane Regional Business & Technology Park

220 Sam Rayburn Parkway
Lenoir City, Tennessee 37771
Phone (865) 717-4861 • Fax (865) 717-4924
Toll Free (866) 710-4717
e-mail: LC@saginawcontrol.com

