

Single Pole Devices and Temporary Power

50A and 60A Spider® II Boxes



50A Spider® II



60A Spider® II



60A Class "L" Spider® II

Spider® II Temporary Power Boxes

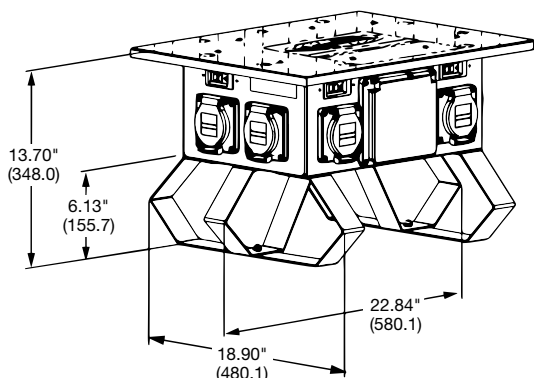
Rating	Type	Qty	Receptacle Ratings	Receptacle Components	Protection		Catalog Number
					Overload	GFI	
30A, 120/240V AC (Maximum)	Straight Blade	7	20A, 125V	HBL53R61	Yes	Yes	SDSB1A
	Twist-Lock® (inlet)	1	30A, 120/240V	HBL2715SWR	No	No	
	Twist-Lock® (outlet)	1	30A, 120/240V	HBL2710	No	No	
50A, 120/240V AC (Maximum)	Straight Blade	7	20A, 125V	HBL53R61	Yes	Yes	SBSB1A
	Twist-Lock® (inlet)	1	50A, 125/250V	HBL6375S	No	No	
	Twist-Lock® (outlet)	1	50A, 125/250V	CS6369	No	No	
50A, 120/240V AC (Maximum)	Straight Blade	6	20A, 125V	HBL53R61	Yes	Yes	SBSB2
	Twist-Lock®	1	30A, 250V	HBL2620SW	Yes	Yes	
	Twist-Lock® (inlet)	1	50A, 125/250V	HBL6375S	No	No	
	Twist-Lock® (outlet)	1	50A, 125/250V	CS6369	No	No	
50A, 120/240V AC (Maximum)	Twist-Lock®	7	20A, 125V	HBL2310SW	Yes	Yes	SBTL1A
	Twist-Lock® (inlet)	1	50A, 125/250V	HBL6375S	No	No	
	Twist-Lock® (outlet)	1	50A, 125/250V	CS6369	No	No	
50A, 120/240V AC (Maximum)	Twist-Lock®	6	20A, 125V	HBL2310SW	Yes	Yes	SBTL2
	Twist-Lock®	1	30A, 250V	HBL2620SW	Yes	Yes	
	Twist-Lock® (inlet)	1	50A, 125/250V	HBL6375S	No	No	
	Twist-Lock® (outlet)	1	50A, 125/250V	CS6369	No	No	
60A, 3Ø 120/208V AC (Maximum)	Straight Blade	6	20A, 125V	HBL53R61	Yes	Yes	SCSB0*
	Pin and Sleeve (inlet)	1	60A, 3ØY 120/208V	HBL560B9R	No	No	
	Pin and Sleeve (outlet)	1	60A, 3ØY 120/208V	HBL560R9W	No	No	
60A, 3Ø 120/208V AC (Maximum)	Twist-Lock®	6	20A, 125V	HBL2310SW	Yes	Yes	SCTL0*
	Pin and Sleeve (inlet)	1	60A, 3ØY 120/208V	HBL560B9R	No	No	
	Pin and Sleeve (outlet)	1	60A, 3ØY 120/208V	HBL560R9W	No	No	

Class "L" Spider® II Temporary Power Boxes

Rating	Type	Qty	Receptacle Ratings	Receptacle Components	Protection		Catalog Number
					Overload	GFI	
60A, 3Ø 120/208V AC (Maximum)	Straight Blade	6	20A, 125V	HBL53R61	Yes	Yes**	SCSB0M2
	Class "L" (inlet)	1	60A, 3ØY, 120/208V	—	No	No	
	Class "L" (outlet)	1	60A, 3ØY, 120/208V	—	No	No	
60A, 3Ø 120/208V AC (Maximum)	Twist-Lock®	6	20A, 125V	HBL2310SW	Yes	Yes**	SCTL0M2
	Class "L" (inlet)	1	60A, 3ØY, 120/208V	—	No	No	
	Class "L" (outlet)	1	60A, 3ØY, 120/208V	—	No	No	

Note: *60A units are UL and cUL only.
**GFCI protection on 4 devices only.

Dimensions



Dimensions in Inches (mm)

Specifications

Spider® II

Listing/Certification	UL1640 cUL and CSA, UL943
Environment	Indoor and outdoor wet and dry locations
Enclosure Type	3R, rainproof, suitable for use in damp locations
Code Compliance	NEC®, ANSI/NFPA 70

NEC® is a registered trademark of the National Fire Protection Association (NFPA).

Delivery of Safe, Convenient Temporary Power



Temporary Power

Construction sites and outdoor events need to ensure maximum safety when providing temporary electrical power for equipment and lighting, especially since these applications involve frequent plug-ins and disconnects. Hubbell temporary power distribution systems come in a variety of device types for protecting people against electrical shock in a wide range of applications and job sites.

SPIDER II® Temporary Power Boxes



- Incorporates the most advanced ground fault module technology for safety
- Accommodates watertight straight blade and Safety-Shroud® Twist-Lock® receptacles
- Heavy Duty UL Type 3R metallic enclosure

Portable Outlet Boxes and 50A Cable Sets and Receptacles



- Provides a safe rugged portable enclosure that can be used in many applications and complies with NEC® 110.12 regarding unused cable openings in metallic boxes
- Provides Type 3R protection with weatherproof cover plates
- Maximize strain relief protection with the addition of a Kellems® mesh grip

NEC® 590.6 Ground Fault Protection for Personnel. Requirements for GFCI protection for temporary wiring installations.

NEC® 110.12(A) Unused Openings Unused openings, other than those intended for the operation of equipment, those intended for mounting purposes, or those permitted as part of the design for listed equipment, shall be closed to afford protection substantially equivalent to the wall of the equipment.



Temporary Power Boxes

Max Rating	Type	Receptacle Rating	Protection Overload/GFI	Receptacle Type		
				Straight Blade	Twist-Lock®	
Spider® II	(7) Receptacles	20A, 125V	Yes/Yes	SDSB1A	SDTL1A	
30A, 120/240V AC	(1) Twist-Lock® (inlet & outlet)	30A, 120/240V	No/No			
Spider® II	(7) Receptacles	20A, 125V	Yes/Yes	SBSB1A	SBTL1A	
50A, 120/240V AC	(1) Twist-Lock® (inlet & outlet)	50A, 125/250V	No/No			
Spider® II	(6) Receptacles	20A, 125V	Yes/Yes	SBSB2	SBTL2	
50A, 120/240V AC	(1) Twist-Lock® (inlet & outlet)	30A, 250V	Yes/Yes			
	(1) Twist-Lock® (inlet & outlet)	50A, 125/250V	No/No			
Spider® II	(6) Receptacles	20A, 125V	Yes/Yes	SCSB0	SCTL0	
60A, 3Ø 120/208V	(1) Pin & Sleeve (inlet & outlet)	60A, 3ØY, 120/208V	No/No			
50A 120/240V AC	(6) Receptacles	20A, 125V	Yes/Yes	TPDS	TPDL	
	(1) Twist-Lock®	30A, 250V	Yes/No			
	(1) Twist-Lock® (inlet & outlet)	50A 125/250V	No/No			

Portable Outlet Boxes

Description		Catalog Numbers
Box w/ cord strain relief	yellow	HBLPOB1
(1) blank cover plate	black	HBLPOB1BK
Yellow box with cord strain relief	gray	HBLPOB1D*
(2) duplex (indoor) cover plates	yellow	HBLPOB1DY
Non-Metallic FS Cover Plates		
Blank gray plate with foam gasket		HBLP14FS
Duplex plate	gray	HBLP8FS
	yellow	HBLP8FSY
Single receptacle gray plate	1.56"	HBLP7FS
	1.39"	HBLP720FS
Rectangular opening gray plate		HBLP26FS

50A Cable Sets and Receptacles

Description		Catalog Numbers
50A pre-wired wall mounted receptacle, with 2 ft. wire leads		SR50
50A cord set	50 ft.	SCB50
(input/output)	100 ft.	SCB100
60A cord set	6 ft.	SCC06
(input/output)	50 ft.	SCC50
60A, 3Ø 120/208V pin and sleeve wall mounted receptacle		HBL560R9W
50A cord set for use with TPDS and TPD	50 ft.	TPC50
	100 ft.	TPC100

NEC® is a registered trademark of the National Fire Protection Association (NFPA).