



19-PIN

PLS 19-pin connector series

SOLDER TYPE



CRIMP TYPE

PLS-5219LM

PLS-5219CLM

PLS-5219LF

PLS-5219CLF



strain relief

PLS-5219SF

PLS-5219CSF

Features:

- Rugged die-casted aluminum alloy shells, with black non-conductive finish, making cable assembly most convenient with two-shell design
- Hard gold-plated copper alloy machined contact, for both solder and crimp type, ensures the excellent conductivity.
- Non-conductive first grade Bakelite (Neoprene for crimp type) provides great insulation
- Integral-compressed strain relief handles wide range of cable sizes
- Extended ground contact at female side ensures "mate first, break last" for safety operation
- Compatible with Socapex "419" and Veam "VSC" connectors
- Feasible for PG29 cable gland
- Crimp contacts are available for purchase separately
- UL / cUL listed

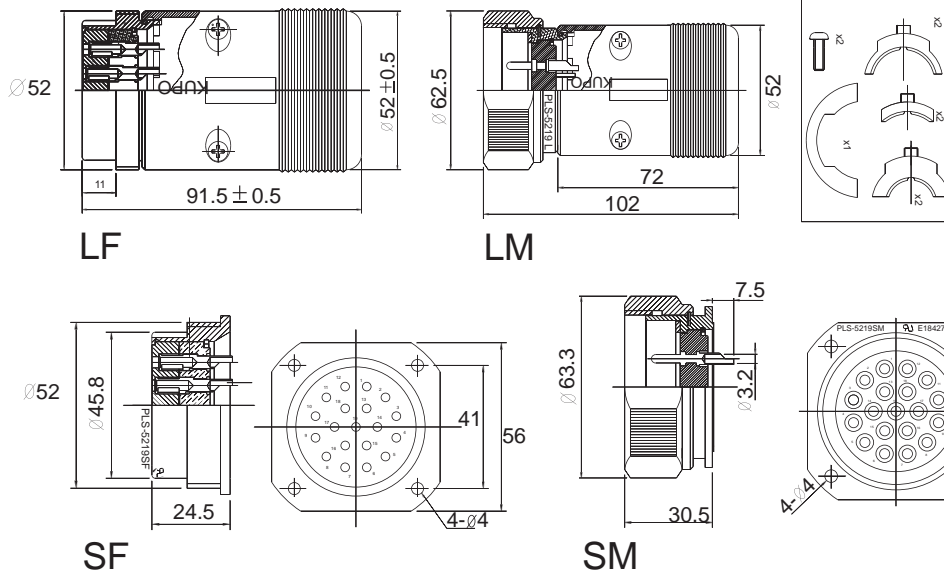


19-PIN

Technical Information:

- Rated Voltage: AC 20A 250V
- Operating Limit Voltage: AC 400V
- Insulation Resistance: > 2000 M Ohms
- Contact Resistance: < 3m Ohms

- Rated Voltage: AC 20A 250V
- Operating Limit Voltage: AC 400V
- Insulation Resistance: > 2000 M Ohms
- Contact Resistance: < 3m Ohms



OPTIONAL ACCESSORIES (For PLS Series)



Part Number	Description
PLS-5219CPM	Crimp Male Contact
PLS-5219CPFE	Crimp Female Earth Contact
PLS-5219CPF	Crimp Female Contact



Part Number	Description
PLS-5219GDSK	Ground disk to buss together the six ground contacts (solder connectors only)



Part Number	Description
PLS-5219 CBGD	Strain Relief directly coupling into thread housing (PG29)



Part Number	Description
M2250/1-01	Crimp Tool



19-PIN

WPC 19-pin connector series

Features:

- Mono-piece body is fabricated of rigid die-casted aluminum alloy, offering alternative choice for weather-oriented applications.
- Watertight (IP67) is achieved with a cable gland (FPG-42) affixed to the cable entry point
- Compatible with Kupo's PLS and WPS series, as well as Socapex 419 and Veam VSC connectors
- Hard gold-plated copper alloy machined contact, ensures the excellent conductivity.
- Non-conductive first grade Bakelite provides great insulation
- Extended ground contact at female side ensures "mate first, break last" for safety operation
- Available in solder type only
- UL listed



WPC-5219LF
+ FPG-42



WPC-5219LM
+ FPG-42



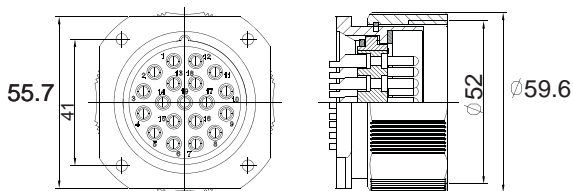
WPC-5219SF



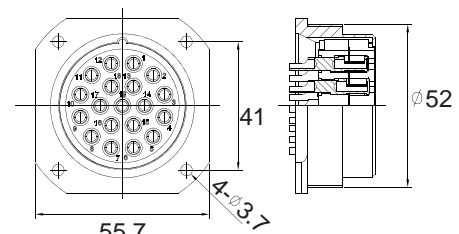
WPC-5219SM

WPC contact pin outstanding feature:

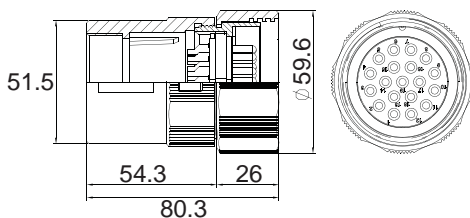
- Military grade craftsmanship with precisely-machined fabrication
- High conductive cooper alloy with 24K gold plated
- Advanced split design for female contact, with greater mating area and less resistance



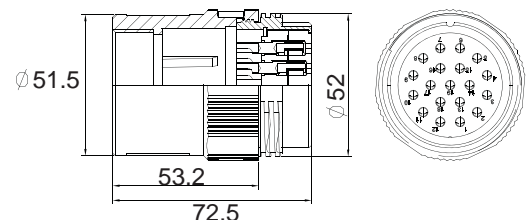
SF



SM



LF



LM

WPS 19-pin connector series

Features:

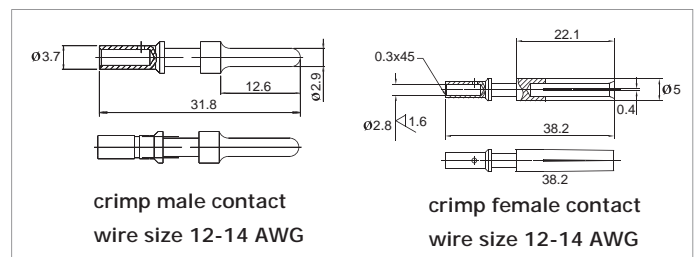
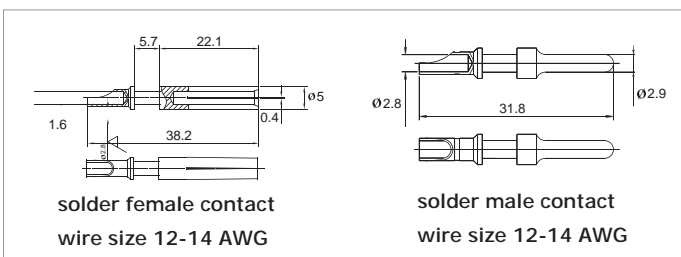
- Machined alloy aluminum with heavy ribbed locking ring provides easy manual operation; mono-piece body for IP67 watertight while assembled with cable gland
- Inline locking thread are Teflon-coated to make coupling and uncoupling smoother
- Back shell with hard anodized finish avoids surface scratch
- Compatible with Kupo PLS and WPC, Socapex 419, and Veam VSC series
- Hard gold-plated contact in solder and crimp type; extended female ground contact allows “mate first, break last” safety operation
- FPG-42 (CG-35 cable gland + rubber sleeve) provide waterproof seal at the cable entry point; rubber sleeve is available in three different sizes
- UL / cUL listed

WPS SERIES

SOLDER TYPE

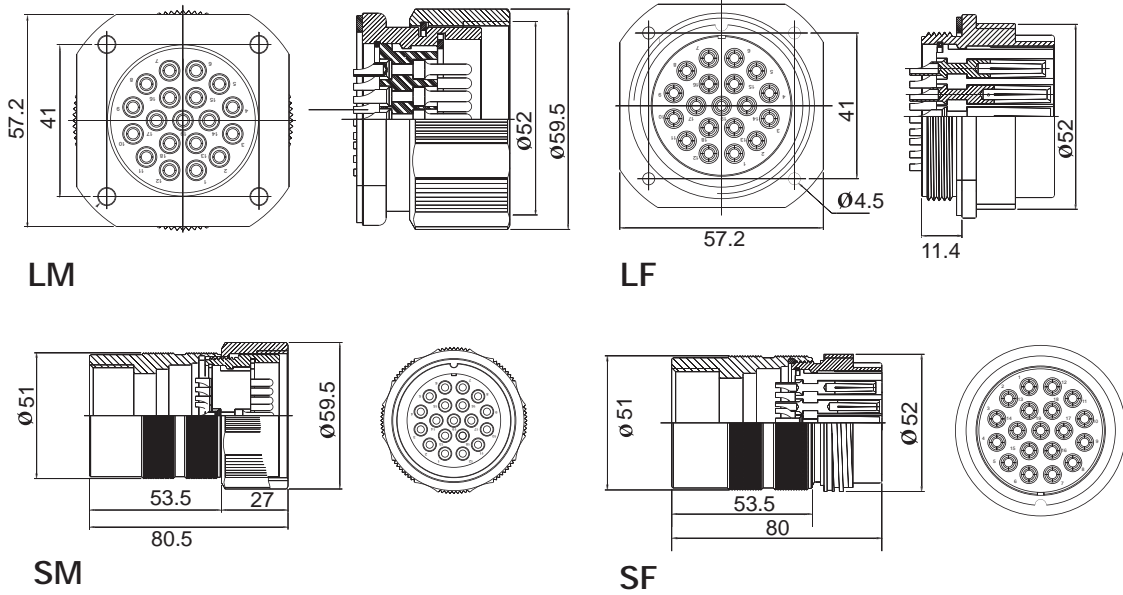


CRIMP TYPE



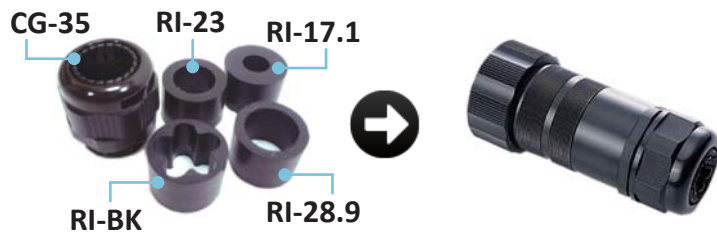


19-PIN



OPTIONAL ACCESSORIES

CG-35 Cable Gland optional with \varnothing 17, 23, 28.9 mm and break-out changeable rubber sleeve



Rubber Bushing

- \varnothing 17.1 mm: feasible for 18/1.5 mm 2 cable, or cable's OD up to 17.10 mm
- \varnothing 23.00 mm: feasible for 18/2.5 mm 2 cable, or cable's OD up to 23.00 mm
- \varnothing 28.9 mm: feasible for cable's OD up to 28.90 mm



DC-M

Rubber dust cover with wire for line male connector

DC-F

Rubber dust cover with wire for line female connector



MC-M

Metal dust cover with wire for line male connector

MC-F

Metal dust cover with wire for line female connector

19 PIN CONNECTOR OPTIONAL ACCESSORY

WPC-5219ST 19 PIN TOOL

The practical tool designed for saving the pain of unscrewed-backshell while mating or unmating monopiece connectors.

- A) Fit to major brand 19 pin monopiece connector.
- B) To avoid accidental unscrew of the backshell while coupling or uncoupling.



**Tool for WPC / WPS
19-Pin connector**



Coupling with female
inline connector



Infixed rubber ring protects
inline female connector



Coupling with male
inline connector



Definite indication
for operation.

Cable Grip

Kupo cable grip is designed for PG29 thread 19-pin connectors. It is for cable enclosure to prevent pullout from tension, vibration, flexure or motion. Fabricated of stainless steel wire mesh weaves and aluminum alloy fittings provide easy installation bending control plus corrosion resistant. Grips with knurled texture on the fitting for excellent handling, and neoprene bushing offers watertight and dustproof protection. Support grip is weaved of dia. 1.2 mm stainless steel wire for load capacity 60 kgs.



Part Number	Description
PLS-CG18	Cable grip for 18C x 1.5 mmsq cable (or O.D. 18 mm cable)
PLS-CG21	Cable grip for 18C x 2.5 mmsq cable (or O.D. 21 mm cable)
PLS-SG21	Support Grip, feasible for O.D. 18-21 mm cable



19-PIN

19-pin Cable Tester

Kupo 19-pin cable tester is a handy gadget for quick cable checking. It is made of classis PLS connectors so it can be used to check any 19-pin extension cable built up with major brands of 19-pin connector. Plug cable assembly end into male and female tester, and it will check out 6-circuit plus short circuit just in seconds.

There builds up a rotary switch with 6 LEDs in female connector to indicate the status of each channel; select by channel to identify the wiring status on each channel. Red LED will light up if there is any wrong wiring.



PLS-5219IDTR-F
PLS-5219IDTR-M

ID Cable Tester, Female
ID Cable Tester, Male

Multi-pole Par Bar Tester

This tester is designed to offer an easy checkup for lamp status or wiring on multi-pole Par Bar system. The half-palm-size device comes with 8pcs bi-color (green/red) LED to indicate the checking result. LED lighting up in green means the wiring is correct. Any broken circuit, no contact, or lamp burn-out will lead to no show on any given channel. While there is any earth mistakenly contact, the LED will turn to red. Battery drive (DC9V), and specified for 16-pin contact multi-pole Par Bar.



KM-16PBTR-F 16-pin (Multi-pole) Par Bar Tester