

product specifications for:

CLS Series 16 Inline Cams

Item #: CLS40MB

Description
 MALE CLS SERIES 16 INLINE 2/0 - 4/0 AWG

Electrical Specifications
 Max. Amperage: 400A with 4/0 AWG
 Max. Voltage: 600V AC/DC

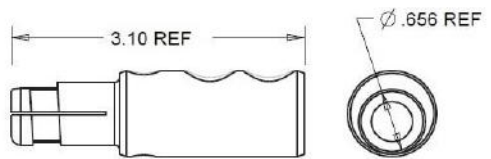
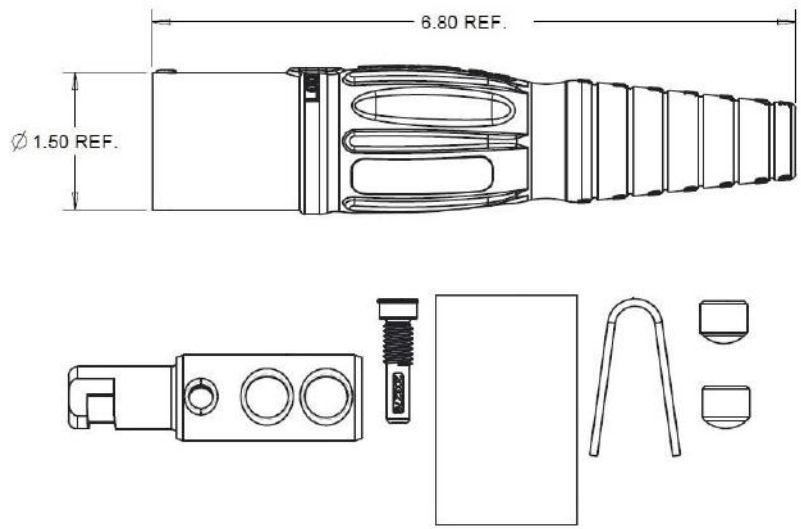
Material Specifications
 Housing Material: Santoprene TPV
 Contact Material: Brass
 Temperature Rating: -40°C to 105°C

Mechanical Specification
 Gender: Male
 Connection Type: Double Set Screw
 (Torque to 160 in-lbs.)
 Retaining Screw: Glass Filled / Heat Stabilized Nylon

Example: CLS40MB + **A** = CLS40MB-A



Standards and Certifications
 UL Listed: File E471676
 CSA Certified: 0812900000
 Environmental Rating: Type 3R & 4



SHOWN FOR SIZING

