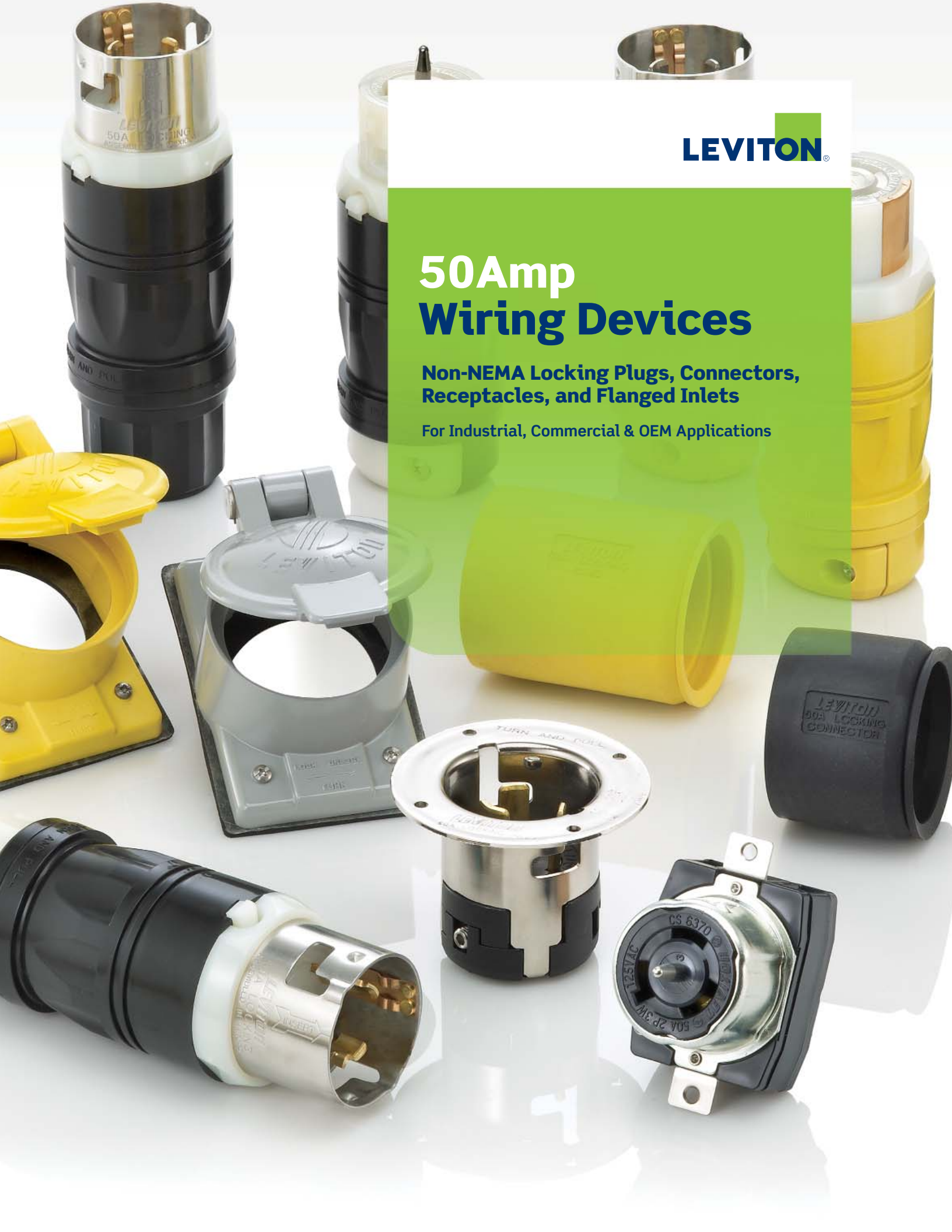


The Leviton logo consists of the word "LEVITON" in a bold, blue, sans-serif font, followed by a registered trademark symbol (®). To the left of the text is a green square graphic element.

# 50 Amp Wiring Devices

**Non-NEMA Locking Plugs, Connectors,  
Receptacles, and Flanged Inlets**

For Industrial, Commercial & OEM Applications



# Table of Contents

## Black & White™ 50Amp Non-NEMA Locking Devices

### Rugged, Secure Connections for Construction & Manufacturing Sites

Black & White 50Amp Non-NEMA Locking devices are designed for faster wiring and longer life. Made from tough, impact resistant nylon housings and metal shrouds, these plugs, connectors, receptacles, and flanged inlets are designed for rugged environments like construction sites, commercial shipyards, & convention centers.

Fabricated for broad utility, they easily mate with competitors' devices and are certified to meet UL, CSA, and NOM standards. All devices are RoHS compliant making Leviton's 50Amp device line your environmentally responsible choice.

Leviton offers a full complement of flip lids and boots for usage in dust-laden environments and marine areas.

#### Non-NEMA Locking Configurations:

##### Standard Locking

- 2P, 3W 250V DC/600V AC
- 3P, 4W 250V DC/600V AC
- Plugs, Connectors, Receptacles, & Flanged Inlets
- Cast Metal Flip Lid

##### California-Style Locking

- 2P, 3W 125V, 250V & 480V
- 3P, 4W 125V/250V, 3Ø 250V & 3Ø 480V
- Plugs, Connectors, Receptacles, & Flanged Inlets
- Cast Metal Flip Lid

##### Corrosion Resistant Locking

- 2P, 3W 125V • 3P, 4W 125V/250V
- Plugs, Connectors, Receptacles, & Flanged Inlets with nickel plated contacts & blades plus stainless steel shrouds & screws
- Thermoplastic Flip Lid & Boots



#### Innovative Design Means Easier-to-Wire and Longer Life

Working closely with commercial and industrial electricians, Leviton's engineers imagined something better. The new Black & White 50Amp devices wire faster and with greater accuracy. Their construction extends device life and reduces equipment downtime.

#### Easier-to-Wire



- Screwless face module for plugs & connectors
- External cable clamp with screws in one plane
- Screwless cable clamp for plugs and connectors
- Single piece flanged inlet that wires in one step

#### Longer Life



- Receptacle and plug metal shrouds for reliable and durable connections
- Single piece stainless steel strap for continuous conductivity and corrosion resistance

## Black & White 15, 20, & 30Amp NEMA Straight Blade and Locking Devices

These rugged Black & White devices launched Leviton's industrial connection line and earned it a reputation for sturdy, tough industrial products. Designed with impact resistant nylon, thick-walled housings, and single piece brass contacts, these devices help your equipment run longer.

Always imagining something better, we added the Power Indication feature to plugs, connectors, and duplex receptacles. With Power Indication, a green light glows when energy is present. It makes for a safer workplace and faster troubleshooting.

### Locking Devices - Power Indication & Corrosion Resistant

- 15, 20, & 30Amp, 125V to 600V
- Plugs, Connectors & Receptacles

### Straight Blade Devices - Power Indication, Hospital Grade, and Corrosion Resistant

- 15 & 20Amp, 125V to 250V
- Plugs, Connectors & Receptacles
- Flip Lids and Wallplates



## Wetguard® Watertight and Dust Tight Straight Blade and Locking Devices

Wetguard 15, 20 and 30Amp devices are watertight and dust tight for safer connections in wet, dusty environments. Made from UV resistant Santoprene® TPE with nickel plated contacts or blades and stainless steel screws, Wetguard devices last longer when exposed to aggressive outdoor environments than general purpose devices.

They meet IEC IP standards (IP66/67) for dust tight, power jetting, and temporary immersion. Plus they meet UL enclosure standards 3R, 4X, & 12K, making Wetguard devices the connection choice for food processing plants, commercial shipyards, and commercial construction sites.

### Wetguard Devices & Accessories:

#### Locking Devices

- 15, 20, & 30Amp, 125V to 600V
- Plugs, Connectors & Receptacles

#### Straight Blade Devices

- 15 & 20Amp, 125V to 250V
- Plugs, Connectors & Receptacles

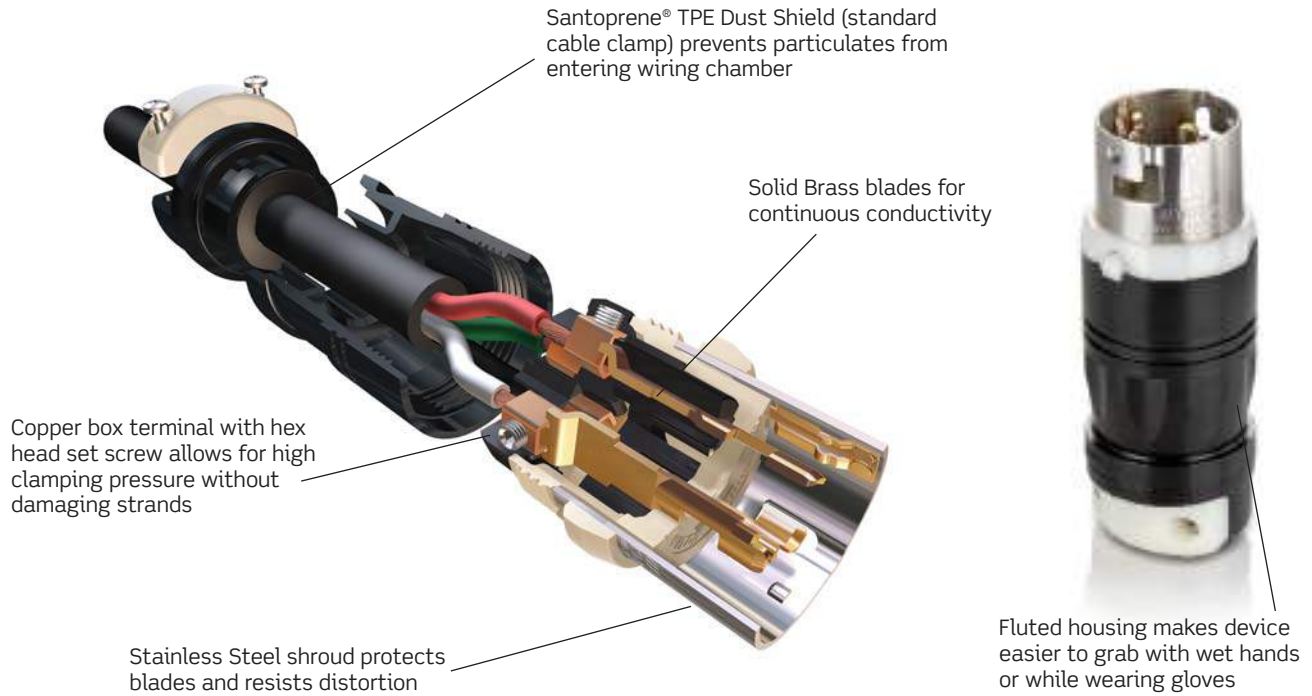
#### Accessories

- Flip Lids, Plug Caps, & FD Boxes

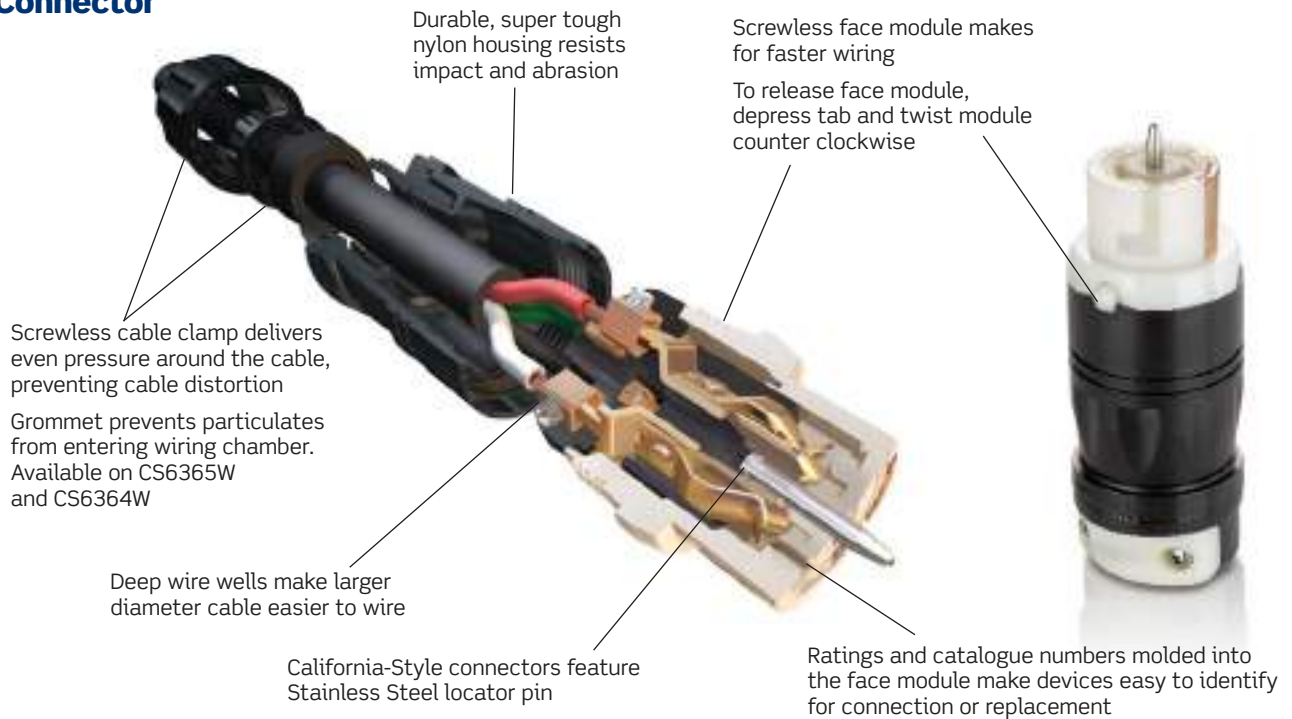




## Plug



## Connector



### STANDARDS & CERTIFICATIONS

|                       |               |                         |            |
|-----------------------|---------------|-------------------------|------------|
| <b>RoHS Compliant</b> | <b>UL 498</b> | <b>CSA C22.2 No. 42</b> | <b>NOM</b> |
| ✓                     | #E13399       | ✓                       | ✓          |

## Flanged Inlet

Single piece assembly for fast, easy wiring and maintenance

Zinc plated steel casing protects face module yet still allows for quick terminal access

Molded-in strip gauge makes for fast, accurate wire stripping

Deep wire wells make larger diameter cable easier to wire

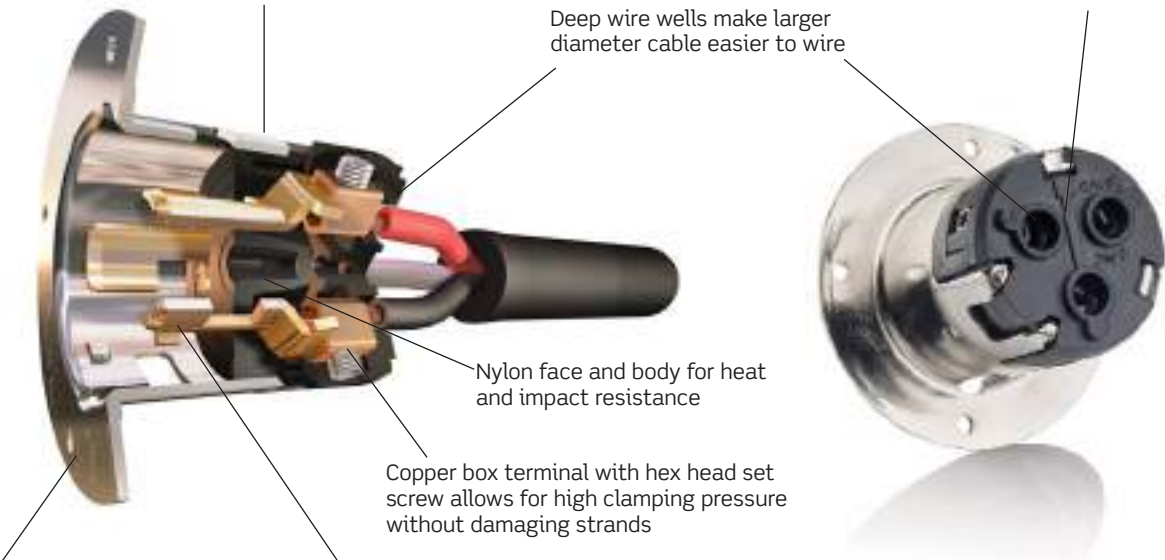
Nylon face and body for heat and impact resistance

Copper box terminal with hex head set screw allows for high clamping pressure without damaging strands

Zinc plated steel casing resists impact, abuse and distortion

Solid Brass blades are standard for continuous conductivity

CR devices feature nickel plated Brass contacts and zinc plated Brass casing for corrosion resistance



## Receptacle

Reinforced nylon face, body, and back for heat and impact resistance

Solid Brass contacts for continuous conductivity

Ratings and catalogue numbers molded into face module make for fast, easy identification or replacement

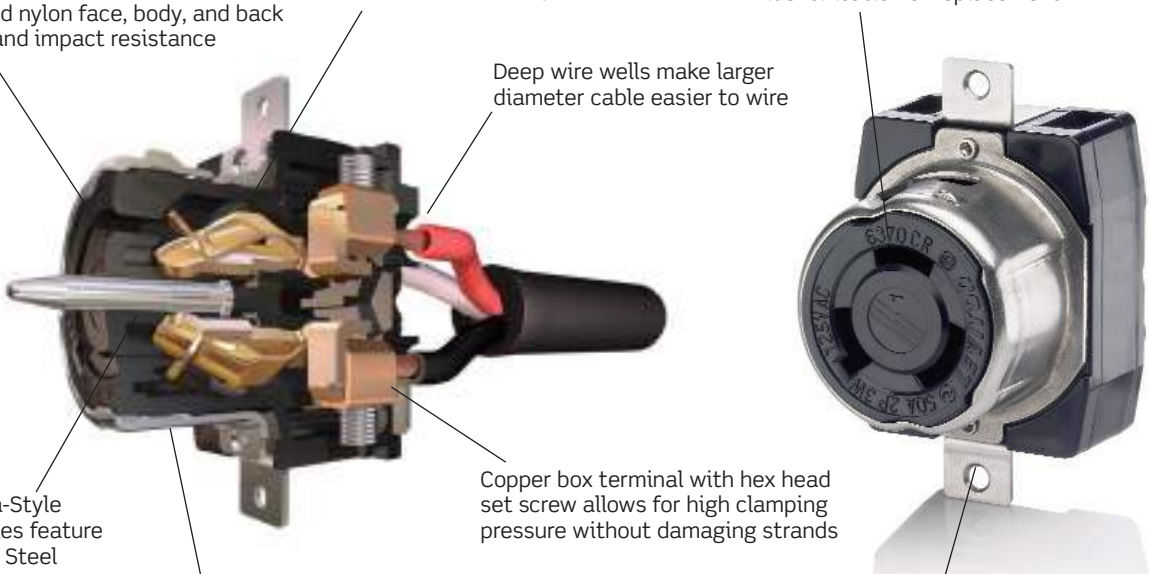
Deep wire wells make larger diameter cable easier to wire

California-Style receptacles feature Stainless Steel locator pin

Copper box terminal with hex head set screw allows for high clamping pressure without damaging strands

Metal shroud makes for reliable and durable connection to shrouded plugs

Single piece, Stainless Steel mounting strap for continuous conductivity and secure ground path



### STANDARDS & CERTIFICATIONS

| RoHS Compliant | UL 498  | CSA C22.2 No. 42 | NOM |
|----------------|---------|------------------|-----|
| ✓              | #E13399 | ✓                | ✓   |

### Leviton Manufacturing Co, Inc.

59-25 Little Neck Pkwy, Little Neck, NY 11362-2591 Tech Line: 1-800-824-3005 Fax: 1-800-832-9538 www.leviton.com  
 © 2008 Leviton Manufacturing Co., Inc. All rights reserved. Subject to change without notice.



## Configurations

| POLES/<br>WIRES  | AMPS | VOLTS<br>PHASE      | TYPE                | PLUG<br><i>Page 7</i> | CONNECTOR<br><i>Page 7</i> | RECEPTACLE<br><i>Page 9</i> | FLANGED INLET<br><i>Page 11</i> |
|------------------|------|---------------------|---------------------|-----------------------|----------------------------|-----------------------------|---------------------------------|
| 2-Pole<br>3-Wire | 50   | 250V DC/<br>600V AC | Standard            | 3763C                 | 3762C                      | 3771                        | 3777                            |
|                  | 50   | 125V                | California-Style    | CS6361C               | CS6360C                    | CS6370                      | CS6377                          |
|                  |      | 250V                | California-Style    | CS8265C               | CS8264C                    | CS8269                      | CS8275                          |
|                  |      | 480V                | California-Style    | CS8465C               | CS8464C                    | CS8469                      | CS8475                          |
|                  |      | 125V                | Corrosion Resistant | 6361CR                | 6360CR                     | 6370CR                      | 6377CR                          |
| 3-Pole<br>4-Wire | 50   | 250V DC/<br>600V AC | Standard            | 3765C                 | 3764C                      | 3769                        | 3775                            |
|                  |      | 250V DC/<br>600V AC | Standard            | 7765C                 | 7764C                      | 7379                        | 7958                            |
|                  | 50   | 125/<br>250V        | California-Style    | CS6365C<br>CS6365W    | CS6364C<br>CS6364W         | CS6369                      | CS6375                          |
|                  |      | 3Ø<br>250V          | California-Style    | CS8365C               | CS8364C                    | CS8369                      | CS8375                          |
|                  |      | 3Ø<br>480V          | California-Style    | CS8165C               | CS8164C                    | CS8169                      | CS8175                          |
|                  | 50   | 125/<br>250V        | Corrosion Resistant | 6365CR                | 6364CR                     | 6369CR                      | 6375CR                          |

7770                      7788CR                      7715CR                      7717CR                      L8003



## Accessories — See page 13 for details

| CAT. NO. | Metal Flip Lid | Thermoplastic Flip Lid | Boots     |        | Wire Mesh Connection Grips       |
|----------|----------------|------------------------|-----------|--------|----------------------------------|
|          | 7770           | 7788CR                 | Type      | Black  |                                  |
|          |                |                        | Plug      | 7715CR | 7715CR-Y                         |
|          |                |                        | Connector | 7717CR | 7717CR-Y                         |
|          |                |                        |           |        | L8003<br>L8004<br>L8005<br>L8006 |

# 50A, Non-NEMA Locking Plugs & Connectors

**Black & White™ Industrial Grade**  
**2-Pole, 3-Wire Grounding and 3-Pole, 4-Wire Grounding**

**Connector Cat. No.:**

3762C, 3764C, 7764C, CS6360C, CS8264C, CS8464C, CS6364C, CS6364W, CS8364C, CS8164C, 6360CR, 6364CR

**Plug Cat. No.:**

3763C, 3765C, 7765C, CS6361C, CS8265C, CS8465C, CS6365C, CS6365W, CS8365C, CS8165C, 6361CR, 6365CR

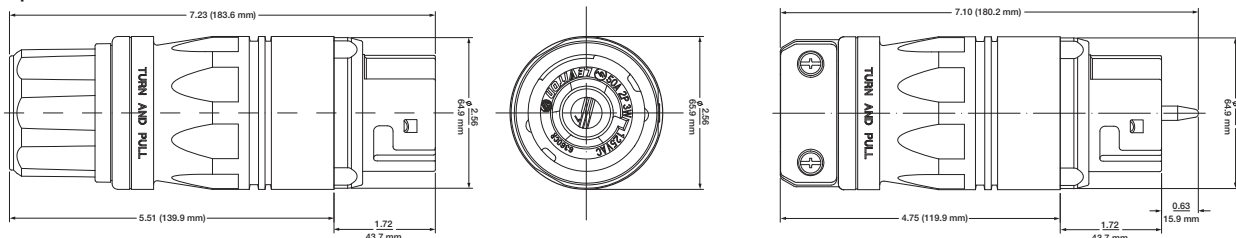
**Application**

In accordance with the NEC, these devices are suitable for use in all 50 ampere branch circuits of 125V, 250V, 480V, 250V DC/600V AC, or 125/250V industrial installations where UL 498 standards of mechanical & electrical life are specified.



| Component                                 | General Purpose  |                          | Corrosion Resistant                  |
|---|--|--------------------------|--------------------------------------|
|   | Standard Style Locking   | California-Style Locking | Standard Locking                     |
| Face Module                               | Nylon  | Nylon                    | Nylon                                |
| Wiring Chamber                            | Nylon  | Nylon                    | Nylon                                |
| Assembly Screw                            | Brass  | Brass                    | Nickel Plated Brass                  |
| Housing                                   | Nylon  | Nylon                    | Nylon                                |
| Dust Shield                               | Santoprene® TPE  | Santoprene TPE           | Santoprene TPE                       |
| Terminal Block                            | 0.062inch thick Copper   | 0.062inch thick Copper   | 0.062inch thick Nickel Plated Copper |
| Terminal Set Screw                        | SS 302/304   | SS 302/304               | SS 302/304                           |
| Ground Shunt                              | Bronze   | Bronze                   | Nickel Plated Bronze                 |
| Ground Post                               | Brass  | Brass                    | Nickel Plated Brass                  |
| Plug Blade                                | 0.100inch thick Brass  | 0.100inch thick Brass    | 0.100inch thick Nickel Plated Brass  |
| Plug Blade Shroud                         | SS 302/304   | SS 302/304               | SS 302/304                           |
| Connector Contact - Spring                | 0.041inch thick Brass  | 0.041inch thick Brass    | 0.041inch thick Nickel Plated Brass  |
| Connector Contact – Binding Plate         | 0.100inch thick Brass  | 0.100inch thick Brass    | 0.100inch thick Nickel Plated Brass  |
| Connector Contact Rivet                   | Brass  | Brass                    | Nickel Plated Brass                  |
| Connector Center Pin – CS Device          | ----   | SS 302/304               | ----                                 |
| <b>Standard Cable Clamp</b>               | Nylon  | Nylon                    | Nylon                                |
| Standard Cable Clamp Screw – Philips head | SS 304   | SS 304                   | SS 304                               |
| <b>Screwless Cable Clamp</b>              |  |                          |                                      |
| Compression Nut                           | Nylon  | Nylon                    | Nylon                                |
| Grommet                                   | Santoprene TPE   | Santoprene TPE           | Santoprene TPE                       |
| Strain Relief                             | Nylon  | Nylon                    | Nylon                                |
| <b>Certifications and Code Compliance</b> | The plugs and connectors listed herein comply with UL 498 (UL file # E13399), CSA C22.2 No. 42 and meet Mexican NOM standards. They are RoHS compliant.<br>Leviton 50Amp locking plugs and connectors are suitable for use in accordance with federal, state, county, municipal and local codes. |                          |                                      |

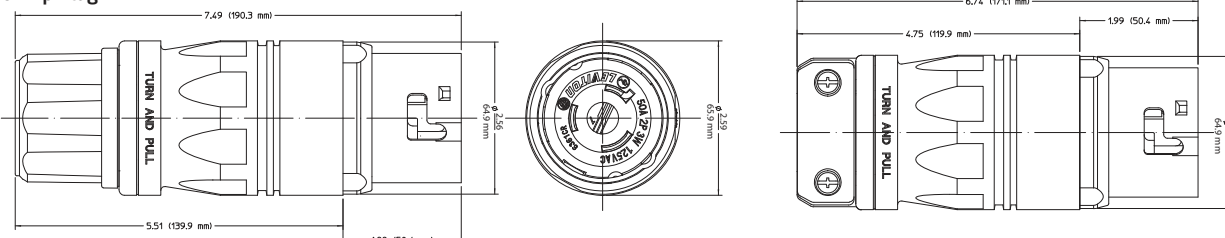
**50Amp Connector**



Features Screwless Cable Clamp

Features Standard Cable Clamp

**50Amp Plug**



**Leviton Manufacturing Co, Inc.**

59-25 Little Neck Pkwy, Little Neck, NY 11362-2591 Tech Line: 1-800-824-3005 Fax: 1-800-832-9538 www.leviton.com  
 © 2008 Leviton Manufacturing Co., Inc. All rights reserved. Subject to change without notice.



## SPECIFICATIONS

50Amp, locking blade, 2-pole, 3-wire grounding and 3-pole, 4-wire grounding plugs and connectors shall be Leviton Underwriters Laboratories Listed, UL 498, and comply with CSA requirements. Ratings and corrosion resistance as specified on plan.

## FEATURES AND BENEFITS

- Durable, super tough nylon housing resists impact and abrasion
- Nylon face module for heat and impact resistance
- Deep wire wells make larger diameter cable easier to wire
- Stainless steel shroud protects blades and resists distortion which prevents connection of disparate devices
- Copper box terminal with hex head set screw allows for high clamping pressure without damaging strands
- Screwless face module makes for faster wiring
- Available with screwless cable clamp for fastest assembly\*
- Screwless cable clamp delivers even pressure around the cable preventing cable distortion
- **CR devices** feature nickel plated brass contacts and stainless steel screws for corrosion resistance
- Ratings and catalogue numbers molded into face module and stamped into stainless steel shroud make devices easy to identify for connection or replacement
- Dust Shield (standard cable clamp) or Grommet (screwless cable clamp) prevents particulates from entering wiring chamber



## PERFORMANCE SPECIFICATIONS

| Electrical              |   |
|-------------------------|---|
| Dielectric Voltage      | Withstands 2000V minimum per UL 498   |
| Maximum Working Voltage | 125V or 250V or 480V or 250V DC/600 V AC as rated on device   |
| Current Interrupting    | Certified for current interrupting at full rated current  |
| Temperature Rise        | Maximum 30°C temperature rise at full-rated current after 150 cycles of overload at 150% rated DC current |
| Mechanical              |   |
| Terminal Identification | X, W, Y, Z and Green for ground   |
| Terminal Accommodation  | #10 min to #4 max AWG Solid or Stranded Wire  |
| Product Identification  | Ratings and Catalogue No. molded into face and stamped into shroud  |
| Environmental           |   |
| Flammability            | Rated UL 94 HB  |
| Operating Temperature   | -40°C to 75°C (-40°F to 167°F)  |

## ORDERING INFORMATION

| Poles Wires   | Description                        | Device Style                       | Color        | Plug Cat. No. | Connector Cat. No. | Non-NEMA Config. |
|---------------|------------------------------------|------------------------------------|--------------|---------------|--------------------|------------------|
| 2-Pole 3-Wire | 50A, 250V DC/600V AC               | Std Locking                        | Black-White  | 3763C         | 3762C              |                  |
|               | 50A, 125V, California-Style        | CS Locking                         | Black-White  | CS6361C       | CS6360C            |                  |
|               | 50A, 250V, California-Style        | CS Locking                         | Black-White  | CS8265C       | CS8264C            |                  |
|               | 50A, 480V, California-Style        | CS Locking                         | Black-White  | CS8465C       | CS8464C            |                  |
|               | 50A, 125V, Corrosion Resistant     | CR Std Locking                     | Yellow-White | 6361CR        | 6360CR             |                  |
| 3-Pole 4-Wire | 50A, 250V DC/600V AC               | Std Locking                        | Black-White  | 3765C         | 3764C              |                  |
|               | 50A, 250V DC/600V AC               | Std Locking                        | Black-White  | 7765C         | 7764C              |                  |
|               | 50A, 125/250V, California-Style    | CS Locking                         | Black-White  | CS6365C       | CS6364C            |                  |
|               | 50A, 125/250V, California-Style    | CS Locking, Screwless Cable Clamp* | Black-White  | CS6365W       | CS6364W            |                  |
|               | 50A, 250V 3Ø, California-Style     | CS Locking                         | Black-White  | CS8365C       | CS8364C            |                  |
|               | 50A, 480V 3Ø, California-Style     | CS Locking                         | Black-White  | CS8165C       | CS8164C            |                  |
|               | 50A, 125/250V, Corrosion Resistant | CR Std Locking                     | Yellow-White | 6365CR        | 6364CR             |                  |

### Leviton Manufacturing Co, Inc.

59-25 Little Neck Pkwy, Little Neck, NY 11362-2591 Tech Line: 1-800-824-3005 Fax: 1-800-832-9538 www.leviton.com

© 2008 Leviton Manufacturing Co., Inc. All rights reserved. Subject to change without notice.

Black & White is a registered trademark of Leviton Mfg. Inc. Santoprene is a registered trademark of Advanced Elastomer Systems.





# 50A, Non-NEMA Locking Receptacles

**Black & White™ Industrial Grade 50 Amp Locking Receptacles**  
**2-Pole, 3-Wire Grounding and 3-Pole, 4-Wire Grounding**

**Cat. Nos.:**

3771, CS6370, CS8269, CS8469 and 6370CR  
 3769, 7379, CS6369, CS8369, CS8169 and 6369CR

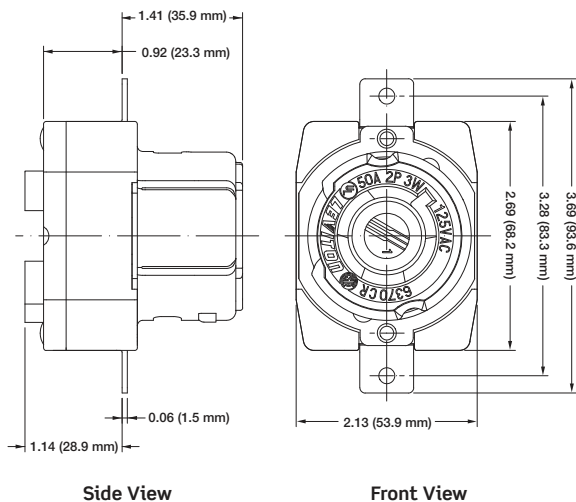
**Application**

In accordance with the NEC, these devices are suitable for use in all 50 ampere branch circuits of 125V, 250V, 480V, 250V DC/600V AC, or 125/250V industrial installations where UL498 standards of mechanical and electrical life are specified.

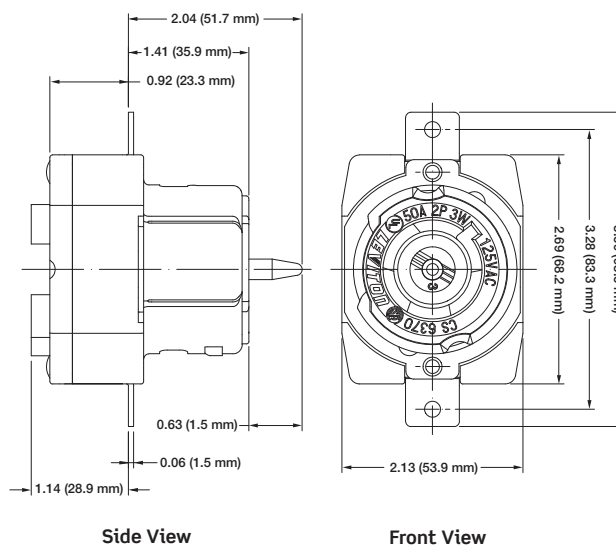


| Component                                 | General Purpose   |                                     | Corrosion Resistant                  |
|---|---|-------------------------------------|--------------------------------------|
|   | Standard Style Locking  | California-Style Locking            | Standard Locking                     |
| Face Module                               | Reinforced Nylon  | Reinforced Nylon                    | Reinforced Nylon                     |
| Body & Contact Carrier                    | Reinforced Nylon  | Reinforced Nylon                    | Reinforced Nylon                     |
| Shroud                                    | 0.062inch thick Nickel Plated Steel   | 0.062inch thick Nickel Plated Steel | 0.062inch thick SS 302/304           |
| Back Cover                                | Reinforced Nylon  | Reinforced Nylon                    | Reinforced Nylon                     |
| Single Piece Mounting Strap               | SS 302/304  | SS 302/304                          | SS 302/304                           |
| Mounting Screws                           | SS 302/304  | SS 302/304                          | SS 302/304                           |
| Assembly Rivets                           | SS 302/304  | SS 302/304                          | SS 302/304                           |
| Center Pin – CS Device                    | ----  | SS 302/304                          | ----                                 |
| Contact - Spring                          | 0.041inch thick Brass   | 0.041inch thick Brass               | 0.041inch thick Nickel Plated Brass  |
| Contact – Binding Plate                   | 0.100inch thick Brass   | 0.100inch thick Brass               | 0.100inch thick Nickel Plated Brass  |
| Contact Rivet                             | Brass   | Brass                               | Nickel Plated Brass                  |
| Box Terminal                              | 0.062inch thick Copper  | 0.062inch thick Copper              | 0.062inch thick Nickel Plated Copper |
| Terminal Set Screw                        | SS 302/304  | SS 302/304                          | SS 302/304                           |
| <b>Certifications and Code Compliance</b> | The receptacles listed herein comply with UL 498 Listing (UL file # E13399), CSA C22.2 No. 42 and meet Mexican NOM standards. They are RoHS compliant. Leviton 50Amp locking receptacles are suitable for use in accordance with federal, state, county, municipal and local codes. |                                     |                                      |

50A, Standard Locking Receptacle including Corrosion Resistant



50A, California-Style Locking Receptacle



**Leviton Manufacturing Co, Inc.**

59-25 Little Neck Pkwy, Little Neck, NY 11362-2591 Tech Line: 1-800-824-3005 Fax: 1-800-832-9538 www.leviton.com  
 © 2008 Leviton Manufacturing Co., Inc. All rights reserved. Subject to change without notice.

50A, NON-NEMA LOCKING RECEPTACLES

### SPECIFICATIONS

50Amp, locking blade, 2-pole, 3-wire grounding and 3-pole, 4-wire grounding receptacles shall be Leviton Underwriters Laboratories Listed and comply with CSA requirements. Receptacle shall include single piece mounting strap. Ratings and corrosion resistance as scheduled on plan.

### FEATURES AND BENEFITS

- Single piece, stainless steel mounting strap with integral ground contact for continuous conductivity and secure ground path
- Metal shroud makes for reliable and durable connection to shrouded plugs
- Reinforced nylon face, body, and back for heat and impact resistance
- Molded-in strip gauge makes for fast, accurate wire stripping
- Deep wire wells make larger diameter cable easier to wire
- Copper box terminal with hex head set screw allows for high clamping pressure without damaging strands
- **CR devices** feature nickel plated brass contacts and stainless steel screws for corrosion resistance
- Ratings and catalogue numbers molded into face module make for fast, easy identification or replacement



CS6370

### PERFORMANCE SPECIFICATIONS

| Electrical              |   |
|-------------------------|---|
| Dielectric Voltage      | Withstands 2000V minimum per UL 498   |
| Maximum Working Voltage | 125V or 250V or 480V or 250V DC/600 V AC as rated on device   |
| Current Interrupting    | Certified for current interrupting at full rated current  |
| Temperature Rise        | Maximum 30°C temperature rise at full-rated current after 150 cycles of overload at 150% rated DC current |
| Mechanical              |   |
| Terminal Identification | X, W, Y, Z and Green for ground   |
| Terminal Accommodation  | #10min to #6max AWG Solid or Stranded Wire (Stranded wire for ground only.)                               |
| Product Identification  | Ratings and Catalogue No. molded into face  |
| Environmental           |   |
| Flammability            | Rated UL 94 V-0   |
| Operating Temperature   | -40°C to 75°C (-40°F to 167°F)  |

### ORDERING INFORMATION

| Poles Wires   | Description                                   | Device Style   | Color | Cat. No. | Non-NEMA Config. |
|---------------|---|----------------|-------|----------|------------------|
| 2-Pole 3-Wire | 50A, 250V DC/600V AC Receptacle               | Std Locking    | Black | 3771     |                  |
|               | 50A, 125V, California-Style Receptacle        | CS Locking     | Black | CS6370   |                  |
|               | 50A, 250V, California-Style Receptacle        | CS Locking     | Black | CS8269   |                  |
|               | 50A, 480V, California-Style Receptacle        | CS Locking     | Black | CS8469   |                  |
|               | 50A, 125V, Corrosion Resistant Receptacle     | CR Std Locking | Black | 6370CR   |                  |
| 3-Pole 4-Wire | 50A, 250V DC/600V AC Receptacle               | Std Locking    | Black | 3769     |                  |
|               | 50A, 250V DC/600V AC Receptacle               | Std Locking    | Black | 7379     |                  |
|               | 50A, 125/250V, California-Style Receptacle    | CS Locking     | Black | CS6369   |                  |
|               | 50A, 250V 3Ø, California-Style Receptacle     | CS Locking     | Black | CS8369   |                  |
|               | 50A, 480V 3Ø, California-Style Receptacle     | CS Locking     | Black | CS8169   |                  |
|               | 50A, 125/250V, Corrosion Resistant Receptacle | CR Std Locking | Black | 6369CR   |                  |

### Leviton Manufacturing Co, Inc.

59-25 Little Neck Pkwy, Little Neck, NY 11362-2591 Tech Line: 1-800-824-3005 Fax: 1-800-832-9538 www.leviton.com

© 2008 Leviton Manufacturing Co., Inc. All rights reserved. Subject to change without notice.

Black & White is a registered trademark of Leviton Mfg. Inc.



# 50A, Non-NEMA Locking Flanged Inlets

**Black & White™ Industrial Grade 50 Amp Locking Flanged Inlets**  
**2-Pole, 3-Wire Grounding and 3-Pole, 4-Wire Grounding**

**Cat. Nos.:**

3777, CS6377, CS8275, CS8475, 6377CR, 7958, 3775, CS6375, CS8375, CS8175, 6375CR

**Application**

In accordance with the NEC, these devices are suitable for use in all 50 ampere branch circuits of 125V, 250V, 480V, 250V DC/600V AC or 125/250V industrial installations where UL498 standards of mechanical and electrical life are specified.



CS8375



| Component                                 | General Purpose  |                          | Corrosion Resistant                  |
|---|--|--------------------------|--------------------------------------|
|   | Standard Style Locking   | California-Style Locking | Standard Locking                     |
| Face Module                               | Nylon  | Nylon                    | Nylon                                |
| Body & Contact Carrier                    | Nylon  | Nylon                    | Nylon                                |
| Flanged Casing                            | Zinc Plated Steel  | Zinc Plated Steel        | Zinc Plated Brass                    |
| Inlet Blade                               | 0.100inch thick Brass  | 0.100inch thick Brass    | 0.100inch thick Nickel Plated Brass  |
| Terminal Block                            | 0.062inch thick Copper   | 0.062inch thick Copper   | 0.062inch thick Nickel Plated Copper |
| Terminal Set Screw                        | SS 302/304   | SS 302/304               | SS 302/304                           |
| Grounding Shunt                           | Bronze   | Bronze                   | Nickel Plated Bronze                 |
| Grounding Shunt Rivet                     | Brass  | Brass                    | Nickel Plated Brass                  |
| <b>Certifications and Code Compliance</b> | The flanged inlets listed herein comply with UL 498 Listing (UL file # E13399), CSA C22.2 No. 42 and meet Mexican NOM standards. They are RoHS compliant.<br>Leviton 50Amp locking flanged inlets are suitable for use in accordance with federal, state, county, municipal and local codes. |                          |                                      |

**ORDERING INFORMATION**

| Poles Wires   | Description                                      | Device Style   | Color      | Cat. No. | Non-NEMA Config. |
|---------------|--|----------------|------------|----------|------------------|
| 2-Pole 3-Wire | 50A, 250V DC/600V AC Flanged Inlet               | Std Locking    | Gray Metal | 3777     |                  |
|               | 50A, 125V, California-Style Flanged Inlet        | CS Locking     | Gray Metal | CS6377   |                  |
|               | 50A, 250V, California-Style Flanged Inlet        | CS Locking     | Gray Metal | CS8275   |                  |
|               | 50A, 480V, California-Style Flanged Inlet        | CS Locking     | Gray Metal | CS8475   |                  |
|               | 50A, 125V, Corrosion Resistant Flanged Inlet     | CR Std Locking | Gray Metal | 6377CR   |                  |
| 3-Pole 4-Wire | 50A, 250V DC/600V AC Flanged Inlet               | Std Locking    | Gray Metal | 3775     |                  |
|               | 50A, 250V DC/600V AC Flanged Inlet               | Std Locking    | Gray Metal | 7958     |                  |
|               | 50A, 125/250V, California-Style Flanged Inlet    | CS Locking     | Gray Metal | CS6375   |                  |
|               | 50A, 250V 3Ø, California-Style Flanged Inlet     | CS Locking     | Gray Metal | CS8375   |                  |
|               | 50A, 480V 3Ø, California-Style Flanged Inlet     | CS Locking     | Gray Metal | CS8175   |                  |
|               | 50A, 125/250V, Corrosion Resistant Flanged Inlet | CR Std Locking | Gray Metal | 6375CR   |                  |

**Leviton Manufacturing Co, Inc.**

59-25 Little Neck Pkwy, Little Neck, NY 11362-2591 Tech Line: 1-800-824-3005 Fax: 1-800-832-9538 www.leviton.com  
 © 2008 Leviton Manufacturing Co., Inc. All rights reserved. Subject to change without notice.

50A, NON-NEMA LOCKING FLANGED INLETS



### SPECIFICATIONS

50Amp, locking blade, 2-pole, 3-wire grounding and 3-pole, 4-wire grounding flanged inlets shall be Leviton Underwriters Laboratories Listed and comply with CSA requirements. Flanged inlets shall include zinc plated steel casing. Ratings and corrosion resistance as scheduled on plan.

### FEATURES AND BENEFITS

- Single Piece Assembly for fast, easy wiring and maintenance. Steel casing protects face module yet still allows for quick terminal access.
- Zinc plated steel casing resists impact, abuse and distortion making for longer life and preventing connection of disparate devices
- Nylon face and body for heat and impact resistance
- Molded-in strip gauge makes for fast, accurate wire stripping
- Deep wire wells make larger diameter cable easier to wire
- Copper box terminal with hex head set screw allows for high clamping pressure without damaging strands
- **CR devices** feature nickel plated brass contacts and zinc plated brass casing for corrosion resistance
- Ratings and catalogue numbers molded into face module make for fast, easy identification or replacement

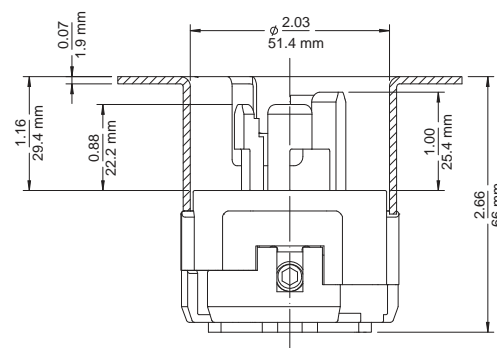
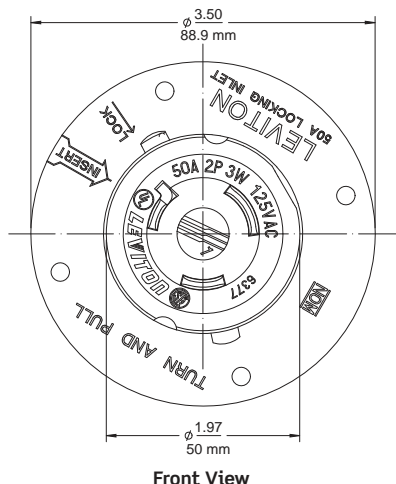


6377 Back

### PERFORMANCE SPECIFICATIONS

| Electrical              |   |
|-------------------------|---|
| Dielectric Voltage      | Withstands 2000V minimum per UL 498   |
| Maximum Working Voltage | 125V or 250V or 480V or 250V DC/600V AC as rated on device  |
| Current Interrupting    | Certified for current interrupting at full rated current  |
| Temperature Rise        | Maximum 30°C temperature rise at full-rated current after 150 cycles of overload at 150% rated DC current |
| Mechanical              |   |
| Terminal Identification | X, W, Y, Z and Green for ground   |
| Terminal Accommodation  | #10min to #4max AWG Solid or Stranded Wire  |
| Product Identification  | Ratings and Catalogue No. molded into face  |
| Environmental           |   |
| Flammability            | Rated UL 94 V-2   |
| Operating Temperature   | -40°C to 75°C (-40°F to 167°F)  |

50Amp Locking Flanged Inlet



### Leviton Manufacturing Co, Inc.

59-25 Little Neck Pkwy, Little Neck, NY 11362-2591 Tech Line: 1-800-824-3005 Fax: 1-800-832-9538 www.leviton.com

© 2008 Leviton Manufacturing Co., Inc. All rights reserved. Subject to change without notice.

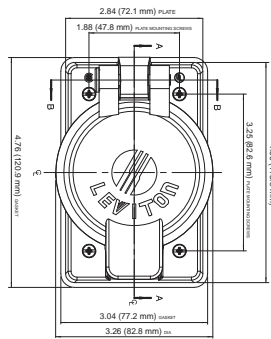
Black & White is a registered trademark of Leviton Mfg. Inc.



RECEPTACLE ACCESSORIES

- Flip Lids for General Purpose and Corrosion Resistant environments.
- Snap-back lids ensure receptacle is covered when not in-use.

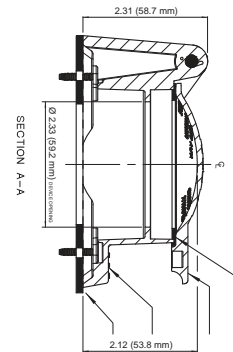
7770



GENERAL PURPOSE

**Material:** Powder Coated Cast Aluminum  
**Color:** Industrial Gray  
**Mounting:** Four Stainless Steel Screws  
**Hinge:** Stainless Steel Pin & Spring  
**Gasket:** Foam Gasket  
**Ratings:** IP64/NEMA Type 3R  
 Dimensions same as 7788CR

7788CR



CORROSION RESISTANT

**Material:** Reinforced Polycarbonate Thermoplastic  
**Color:** High Visibility Yellow  
**Mounting:** Four Stainless Steel Screws  
**Hinge:** Stainless Steel Pin & Spring  
**Gasket:** Foam Gasket  
**Ratings:** IP64/NEMA Type 3R  
 Dimensions same as 7770

PLUG AND CONNECTOR ACCESSORIES

- For use only with Leviton non-NEMA 50A locking plugs and connectors. Not suitable for use with other 50A devices or boots.
- Reduces the amount of dirt, debris, and water entering a connected plug and connector
- UV resistant Santoprene thermoplastic elastomer construction extends life and reduces cracking
- IP55 rating applies when Leviton 50A plug with boot is fully connected to a Leviton 50A connector with boot.

PLUG BOOT

**Material:** Santoprene Thermoplastic Elastomer  
**Color:** Black and High Visibility Yellow

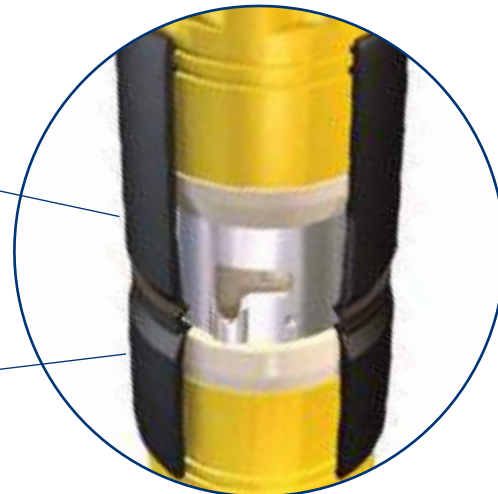
7715CR



CONNECTOR BOOT

**Material:** Santoprene Thermoplastic Elastomer  
**Color:** Black and High Visibility Yellow

7717CR



CONNECTION GRIPS

- Protect the plug or connector cable
- Easily installs on the standard external cable clamp
- **Mesh Type:** Galvanized Steel, closed, single weave mesh

L8003

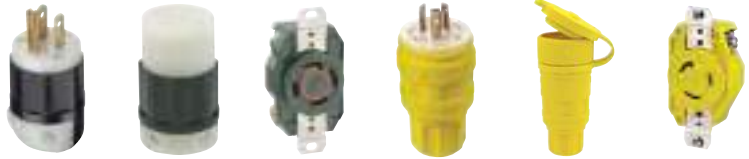


| Grip Cat. No. | Cable Diameter Inches (cm) | Eye Length Inches (cm) | Mesh Length Inches (cm) |
|---------------|----------------------------|------------------------|-------------------------|
| L8003         | 0.52 - 0.73 (1.32 - 1.85)  | 1.687 (4.285)          | 7 (17.8)                |
| L8004         | 0.70 - 0.85 (1.78 - 2.16)  | 1.937 (4.920)          | 8.5 (21.6)              |
| L8005         | 0.82 - 1.00 (2.08 - 2.54)  | 1.937 (4.920)          | 8.5 (21.6)              |
| L8006         | 0.94 - 1.25 (2.39 - 3.18)  | 1.937(4.920)           | 10.5 (26.7)             |

Leviton Manufacturing Co, Inc.

59-25 Little Neck Pkwy, Little Neck, NY 11362-2591 Tech Line: 1-800-824-3005 Fax: 1-800-832-9538 www.leviton.com  
 © 2008 Leviton Manufacturing Co., Inc. All rights reserved. Subject to change without notice. Black & White is a registered trademark of Leviton Mfg. Inc.

**NEMA Straight Blade & Locking Devices  
15 to 30Amp**



Black & White™ General Purpose

Wetguard® Watertight & Corrosion Resistant

| Poles/Wires                                | AMPS    | Voltage      | NEMA   | Plug                 | Connector            | Receptacle | Plug  | Connector | Receptacle |
|--|---------|--------------|--------|----------------------|----------------------|------------|-------|-----------|------------|
| Locking<br>2-P, 3-W<br>Grounding           | 15      | 125V         | L5-15  | 4720-C               | 4729-C               | 4710       | 24W47 | 25W47     | 47CM-10    |
|  |         | 250V         | L6-15  | 4570-C               | 4579-C               | 4560       | 24W49 | 25W49     | 45CM-60    |
|  |         | 277V AC      | L7-15  | 4770-C               | 4779-C               | 4760       | 24W34 | 25W34     | 47CM-60    |
|  | 20      | 125V         | L5-20  | 2311                 | 2313                 | 2310       | 26W47 | 27W47     | 23CM-10    |
|  |         | 250V         | L6-20  | 2321                 | 2323                 | 2320       | 26W48 | 27W48     | 23CM-20    |
|  |         | 277V AC      | L7-20  | 2331                 | 2333                 | 2330       | 26W49 | 27W49     | 23CM-30    |
|  |         | 347V AC      | L24-20 | 3721                 | 3723                 | 3720       | -     | -         | -          |
|  |         | 480V AC      | L8-20  | 2341                 | 2343                 | 2340       | -     | -         | -          |
|  |         | 600V AC      | L9-20  | 2351                 | 2353                 | 2350       | -     | -         | -          |
| 30   | 125V    | L5-30        | 2611   | 2613                 | 2610                 | 28W47      | 29W47 | 26CM-10   |            |
|  | 250V    | L6-30        | 2621   | C2623                | 2620                 | 28W48      | 29W48 | 26CM-20   |            |
|  | 277V AC | L7-30        | 2631   | 2633                 | 2630                 | 28W49      | 29W49 | -         |            |
|  | 480V AC | L8-30        | 2641   | 2643                 | 2640                 | -          | -     | -         |            |
|  | 600V AC | L9-30        | C2651  | C2653                | 2650                 | -          | -     | -         |            |
|  | -       | -            | -      | -                    | -                    | -          | -     | -         |            |
| Locking<br>3-P, 3-W<br>Grounding           | 15      | 3Ø 250V      | L11-15 | 4880-C               | 4889                 | 4870       | -     | -         | -          |
|  |         | 125/250V     | L10-20 | 2361                 | 2363                 | 2360       | -     | -         | -          |
|  |         | 3Ø 250V      | L11-20 | 2371                 | 2373                 | 2370       | -     | -         | -          |
|  | 20      | 3Ø 480V      | L12-20 | 2381                 | 2383                 | 2380       | -     | -         | -          |
|  |         | 125/250V     | L10-30 | 2661                 | 2663                 | 2660       | -     | -         | -          |
|  |         | 3Ø 250V      | L11-30 | 2671                 | 2673                 | 2670       | -     | -         | -          |
| 30   | 3Ø 480V | L12-30       | 2681   | 2683                 | 2680                 | -          | -     | -         |            |
|  | 3Ø 600V | L13-30       | 2691   | 2693                 | 2690                 | -          | -     | -         |            |
|  | -       | -            | -      | -                    | -                    | -          | -     | -         |            |
| Locking<br>3-P, 4-W<br>Grounding           | 20      | 125/250V     | L14-20 | 2411                 | 2413                 | 2410       | 26W74 | 27W74     | 24CM-10    |
|  |         | 3Ø 250V      | L15-20 | 2421                 | 2423                 | 2420       | 26W75 | 27W75     | 24CM-20    |
|  |         | 3Ø 480V      | L16-20 | 2431                 | 2433                 | 2430       | 26W76 | 27W76     | 24CM-30    |
|  | 30      | 125/250V     | L14-30 | 2711                 | 2713                 | 2710       | 28W74 | 29W74     | 27CM-10    |
|  |         | 3Ø 250V      | L15-30 | 2721                 | 2723                 | 2720       | 28W75 | 29W75     | 27CM-20    |
|  |         | 3Ø 480V      | L16-30 | 2731                 | 2733                 | 2730       | 28W76 | 29W76     | -          |
| 3Ø 600V                                    | L17-30  | 2741         | 2743   | 2740                 | 28W77                | 29W77      | -     |           |            |
| Locking<br>4-P, 4-W<br>Grounding           | 20      | 3ØY 120/208V | L18-20 | 2441                 | 2443                 | 2440       | -     | -         | -          |
|  |         | 3ØY 277/480V | L19-20 | 2451                 | 2453                 | 2450       | -     | -         | -          |
|  |         | 3ØY 347/600V | L20-20 | 2461                 | 2463                 | 2460       | -     | -         | -          |
|  | 30      | 3ØY 120/208V | L18-30 | 2751                 | 2753                 | 2750       | -     | -         | -          |
|  |         | 3ØY 277/480V | L19-30 | 2761                 | 2763                 | 2760       | -     | -         | -          |
|  |         | 3ØY 347/600V | L20-30 | 2771                 | 2773                 | 2770       | -     | -         | -          |
| Locking<br>4-P, 5-W<br>Grounding           | 20      | 3ØY 120/208V | L21-20 | 2511                 | 2513                 | 2510       | 26W81 | 27W81     | -          |
|  |         | 3ØY 277/480V | L22-20 | 2521                 | 2523                 | 2520       | 26W82 | 27W82     | -          |
|  |         | 3ØY 347/600V | L23-20 | 2531                 | 2533                 | 2530       | 26W83 | 27W83     | -          |
|  | 30      | 3ØY 120/208V | L21-30 | 2811                 | 2813                 | 2810       | 28W81 | 29W81     | -          |
|  |         | 3ØY 277/480V | L22-30 | 2821                 | 2823                 | 2820       | 28W82 | 29W82     | -          |
|  |         | 3ØY 347/600V | L23-30 | 2831                 | 2833                 | 2830       | 28W83 | 29W83     | -          |
| Straight<br>Blade<br>2-P, 3-W<br>Grounding | 15      | 125V         | 5-15   | 5266-C<br>5266-PLC** | 5269-C<br>5269-PLC** | 5262*      | 14W47 | 15W47     | 5261-CR    |
|  |         | 250V         | 6-15   | 5666-C<br>5666-PLC** | 5669-C<br>5669-PLC** | 5662*      | 14W49 | 15W49     | 5661-CR    |
|  |         | 277V AC      | 7-15   | -                    | -                    | -          | 14W34 | 15W34     | -          |
|  | 20      | 125V         | 5-20   | 5366-C<br>5366-PLC** | 5369-C<br>5369-PLC** | 5362*      | 14W33 | 15W33     | 5361-CR    |
|  |         | 250V         | 6-20   | 5466-C               | 5469-C               | 5462*      | 14W48 | 15W48     | 5461-CR    |

\*\*PLC Power Indication Feature

\*Duplex Receptacles available in a choice of colors: Brown, Ivory, White, Gray, Red, Black, or Almond.

For NEMA straight blade or locking flanged inlet & outlet details, see [www.leviton.com/industrial](http://www.leviton.com/industrial) or IPD 2.07 catalogue.

**Leviton Manufacturing Co, Inc.**

59-25 Little Neck Pkwy, Little Neck, NY 11362-2591 Tech Line: 1-800-824-3005 Fax: 1-800-832-9538 [www.leviton.com](http://www.leviton.com)

© 2008 Leviton Manufacturing Co., Inc. All rights reserved. Subject to change without notice.





# Choose From a Full Line of Commercial and Industrial Devices

## LOCKING DEVICES & WIRE MANAGEMENT

### 1. Locking Plugs & Connectors – Black & White™

- 15, 20 & 30Amp
- 125V thru 600V
- 2-P 3-W thru 4-P 5-W
- 40 NEMA Configurations
- 19 Non-NEMA Configurations
- UL/Fed.Spec./CSA/NOM
- Solid Brass Blades (Locking Plugs)
- One-Piece Brass Contacts (Locking Connectors)
- Nylon Construction



### 2. V-0-MAX™ Locking Receptacles

- 15, 20 & 30Amp
- 125V thru 600V
- 2-P 3-W thru 4-P 5-W
- 40 NEMA Configurations
- 19 Non-NEMA Configurations
- UL/Fed.Spec./CSA/NOM
- UL V-0 Flammability Rating
- Color-Coding Indicates Voltage Ratings



### 3. Flanged Inlets/Outlets

- 15, 20 & 30Amp
- 125V thru 600V
- 2-P 3-W thru 4-P 5-W
- 40 NEMA Configurations
- 14 Non-NEMA Configurations
- UL/Fed.Spec./CSA/NOM
- Positive Crimp Lock Wire Clamps
- Nylon Construction



### 4. miniLOCK™ Midget Devices

- 15Amp
- 125V thru 250V
- 2-P 3-W thru 3-P 3-W
- 3 NEMA Configurations
- UL/Fed.Spec./CSA/NOM
- Nylon Construction
- Plugs, Connectors, Receptacles & Inlets



### 5. Wire Mesh Grips

- Pulling, Support, & Strain Relief
- Single & Double Eyes
- Flexible, Offset & Rotating Eyes
- Closed, Split Lace, or Split Rod Mesh
- Liquid Tight, Wide Range, Deluxe Grips



## WATERTIGHT DEVICES

### 1. Wetguard® Watertight Devices

- 15, 20 and 30Amp
- 125V thru 600V
- 2-P 3-W thru 4-P 5-W
- 22 NEMA Configurations
- 4 Non-NEMA Configurations
- UL/Fed. Spec./CSA/NOM
- EPTR Construction
- All Configs Available in High-Visibility Yellow
- Selected Configurations Available in Black



### 2. Wetguard Watertight Accessories

- Watertight Flip Lids with Lockout/Tagout
- High Visibility Yellow & Black
- SS Hinge & Screws
- Flexible, Watertight Plug Caps
- Reinforced Thermoplastic FD Boxes: 1/2", 3/4", & 1" Knockouts



### 3. IEC 309 Pin & Sleeve

- 20 to 100Amp, IP67 Watertight
- Plugs & Connectors
- Receptacles & Inlets
- 20 to 100Amp Switches
- Mechanical Interlock
- Non-Fused & Fused
- Valox® PBT Back Boxes
- Replacement Components
- UL/CSA



## SINGLE POLE / SINGLE PIN DEVICES

### 1. 15 Series – Taper Nose

- Up to 125Amp, 600V
- Insulator – Shatterproof and Crack Proof
- Slit and Cam Male Contact Design – Compensates for Wear
- Color-Coded Insulators for Easy Phase Identification
- UL Listed (Set Screw Version Only)



### 2. 16 & 18 Series – Taper Nose and Ball Nose

- Up to 400Amp, 600V
- Insulator – Shatterproof and Crack Proof
- Slit and Cam Male Contact Design – Compensates for Wear
- Color-Coded Insulators for Easy Phase Identification
- UL Listed and CSA Certified (Double Set Screw Version Only)



## INDUSTRIAL GRADE SWITCHES

### 1. Heavy Duty AC Control with Toggle Actuator

- 15, 20 & 30Amp
- 120/277V AC
- SP, DP 3-Way, 4-Way
- UL/Fed. Spec./CSA
- Single-Piece Integrated Grounding System
- Back or Side Wired Grounding Terminal



### 2. Key Lock AC Control with Key Lock Actuator

- 20Amp
- 120/277V AC
- SP, DP 3-Way, 4-Way
- Key Removable in ON or OFF Positions
- UL/CSA/NOM
- Performs to Fed. Spec. Standards



### 3. Motor Starter Switches - AC Control for Single-Phase or Three-Phase Motor Loads

- 30, 40 & 60Amp
- 120V AC thru 600V AC
- Max HP Rating: 20HP 600V AC
- Available as Open Switch or with NEMA/Type 1 or 3R Enclosure
- cUL/NOM



### 3. Safety Disconnect Switch AC Control For Horsepower Rated Motor Loads

- 30, 60 & 100Amp
- Heavy Duty 600V
- Max HP Rating: 50HP 600V AC
- Fused and Non-Fused
- Dust-tight and Watertight
- IP67, IP65, NEMA 3R, 4X, 12K



## ENERGY CONSERVATION & COMMUNICATIONS DEVICES

### 1. Occupancy Sensor AC Control with Automatic Switching

- Incandescent, Low Voltage, Motor Loads
- Fluorescent (Magnetic or Electronic Ballast)
- 120/277V AC • SP, 3-Way
- UL/CSA/NOM
- Decora® Style Wall Switch Design
- Ceiling Mount & High Bay Available
- Available with Title 24 Compliance
- Ultrasonic, PIR, or Multi-Tech



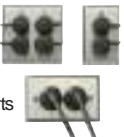
### 2. Communication Modules 3803 Series

- Hard Wired • CE Approved
- 2 Options for Ground Connection
- For Use on Allen Bradley & 4-20 ma
- Protects Programmable Logic Devices from Surges in Harsh Electromagnetic or Geographic Areas



### 3. DuraPort™ Industrial Connectivity

- IP67 Watertight Seal
- Outlets, Wallplates, & Patch Cords
- Compatible with QuickPort jacks including 5e+ & 6+
- Captive Dust Cap Protects Unused Ports
- SS Gasketed Watertight Wallplate



## STRAIGHT BLADE DEVICES

### 1. Power Indication Receptacles

- 15-20Amp Configurations
- 100,000 Hr. Power Status Indicator
- Nickel-Plated Brass Strap with Integral Ground Contacts
- Back & Side Wired Termination
- Hospital Grade with Permanent "Green Dot" Lens



### 2. Surge Protection Receptacles

- 15-20Amp Duplex, Single & 4-in-1 Configurations
- UL Listed to 1449 and 498 Standards
- Decora® Style Nylon Face
- Surge with IG Versions
- Protection Indicator Light & Audible Damage Alarm



### 3. SmartLockPRO™ GFCI

- 15-20Amp Configurations
- Back & Side Wired
- LED Status Indicator
- Meets New UL GFCI Requirements, Effective 2006
- Prevents Reset If Protective Function Is Compromised
- Prevents Reset in Case of Line Load Reverse Wiring



### 4. DIN Rail Mounted Receptacles

- Surge Protection
- Standard Industrial Grade
- Hospital Grade
- GFCI Receptacle
- 15A, 120V
- Straight Blade
- Duplex Receptacle



### 5. Python® Industrial/OEM/ Commercial Connections

- Nylon Single-Piece Body
- 15-20Amp Straight & Angle Versions
- Removable Wide Range Cord Inset
- Enclosed Wiring Module
- Triple-Combo Screws



### 6. Black & White™ Power Indication Industrial Connections

- Green Light Glows When Energized
- 125V, 250V, & 277V
- 15, 20, 30Amp Plugs & Connectors
- Super Tough Nylon Body
- Triple-Combo Screws
- Catalog & NEMA Numbers Printed on Cord Clamp



### Leviton Manufacturing Co., Inc.

59-25 Little Neck Parkway, Little Neck, NY 11362-2591  
Telephone: 1-800-323-8920 FAX: 1-800-832-9538  
Tech Line (8:30AM-7:30PM E.S.T. Monday-Friday): 1-800-824-3005

### Leviton Manufacturing of Canada, Ltd.

165 Hymus Boulevard, Pointe Claire, Quebec H9R 1E9  
Telephone: 1-800-469-7890 FAX: 1-800-563-1853

### Leviton S. de R.L. de C.V.

Lago Tana 43, Mexico DF, Mexico CP 11290  
Telephone: (+52) 55-5082-1040 • www.leviton.com.mx

**LEVITON**

Visit us on the web at:  
[www.leviton.com/industrial](http://www.leviton.com/industrial)  
email: [industrial@leviton.com](mailto:industrial@leviton.com)

Valox® is a registered trademark of General Electric.

Note: Features and specifications subject to change.



**Leviton Manufacturing Co., Inc.**

59-25 Little Neck Parkway,  
Little Neck, NY 11362-2591  
Phone: 1-800-323-8920 FAX: 1-800-832-9538  
Tech Line (8:30AM-7:30PM E.S.T. Mon-Fri): 1-800-824-3005

**Leviton Manufacturing of Canada, Ltd.**

165 Hymus Boulevard, Pointe Claire, Quebec H9R 1E9  
Phone: 1-800-469-7890 FAX: 1-800-563-1853

**Leviton S. de R.L. de C.V.**

Lago Tana 43, Mexico DF, Mexico CP 11290  
Phone: (+52) 55-5082-1040 • [www.leviton.com.mx](http://www.leviton.com.mx)

Visit us on the web at: [www.leviton.com/industrial](http://www.leviton.com/industrial) email: [industrial@leviton.com](mailto:industrial@leviton.com)